



US00D574239S

(12) **United States Design Patent**
Lin

(10) **Patent No.:** **US D574,239 S**

(45) **Date of Patent:** **** Aug. 5, 2008**

(54) **SCREW VENTED CAP WITH A SCREW LID**

(76) Inventor: **Steve Lin**, 17 Musick, Irvine, CA (US)
92618

(**) Term: **14 Years**

(21) Appl. No.: **29/270,087**

(22) Filed: **Dec. 14, 2006**

(51) **LOC (8) Cl.** **09-07**

(52) **U.S. Cl.** **D9/453; D9/454; D9/447**

(58) **Field of Classification Search** D9/454,
D9/453, 452, 451, 447, 443, 441, 438, 435;
D7/396.4, 391; D23/250, 366; 215/329,
215/305, 295, 256, 252, 246

See application file for complete search history.

(56) **References Cited**

U.S. PATENT DOCUMENTS

D240,403 S *	7/1976	Newman	D9/447
D240,601 S *	7/1976	Newman	D9/447
D312,785 S *	12/1990	Tucker	D9/447
D351,795 S *	10/1994	Ogden	D9/453
D408,736 S *	4/1999	Wilson et al.	D9/447
D436,536 S *	1/2001	Levi	D9/447
D441,441 S *	5/2001	Upton	D23/366

D491,257 S *	6/2004	Picken, Jr.	D23/366
D561,587 S *	2/2008	Lin	D9/453

* cited by examiner

Primary Examiner—Gary D. Watson

Assistant Examiner—Susan Bennett Hattan

(74) *Attorney, Agent, or Firm*—Clement Cheng, Esq.

(57) **CLAIM**

The ornamental design for a screw vented cap with a screw lid, as shown and described.

DESCRIPTION

FIG. 1 is a perspective view of the screw vented cap with a screw lid with the screw lid in place;

FIG. 2 is a side view thereof;

FIG. 3 is a top view thereof;

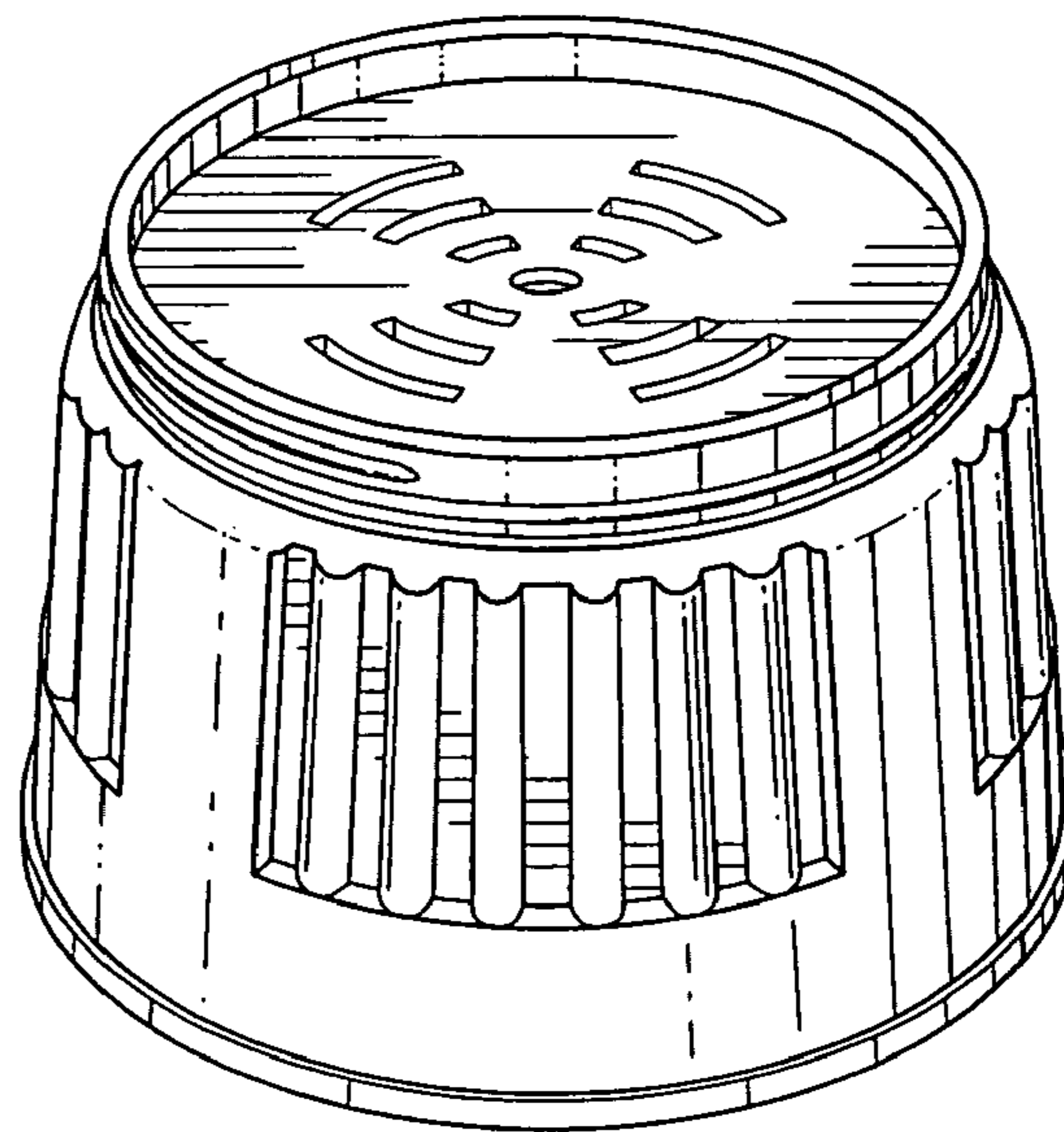
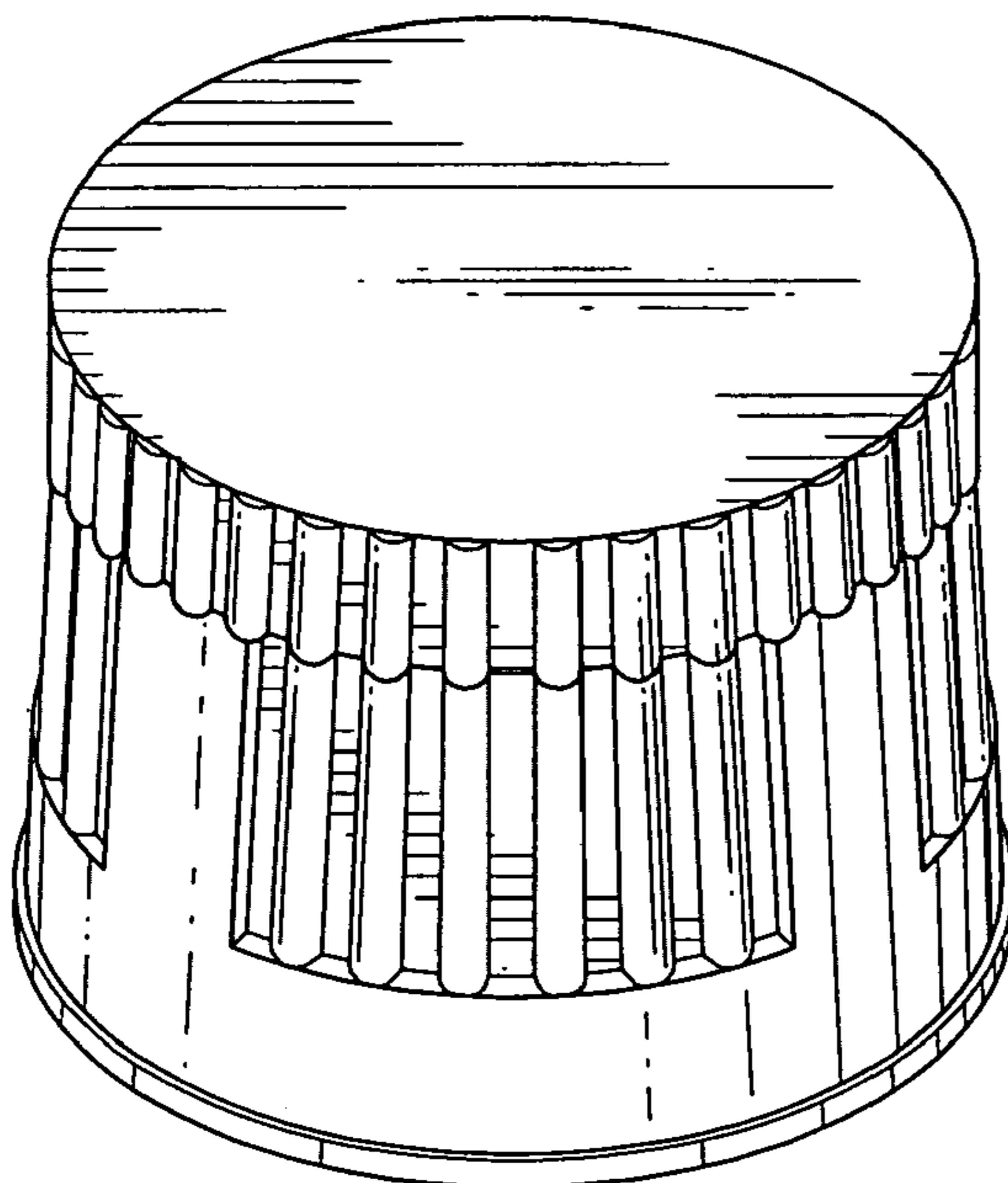
FIG. 4 is a perspective view of the screw vented cap with a screw lid with the screw lid removed;

FIG. 5 is a side view thereof; and,

FIG. 6 is a top view thereof.

The bottom of the vented cap and the bottom of the screw lid form no part of the claimed design.

1 Claim, 2 Drawing Sheets



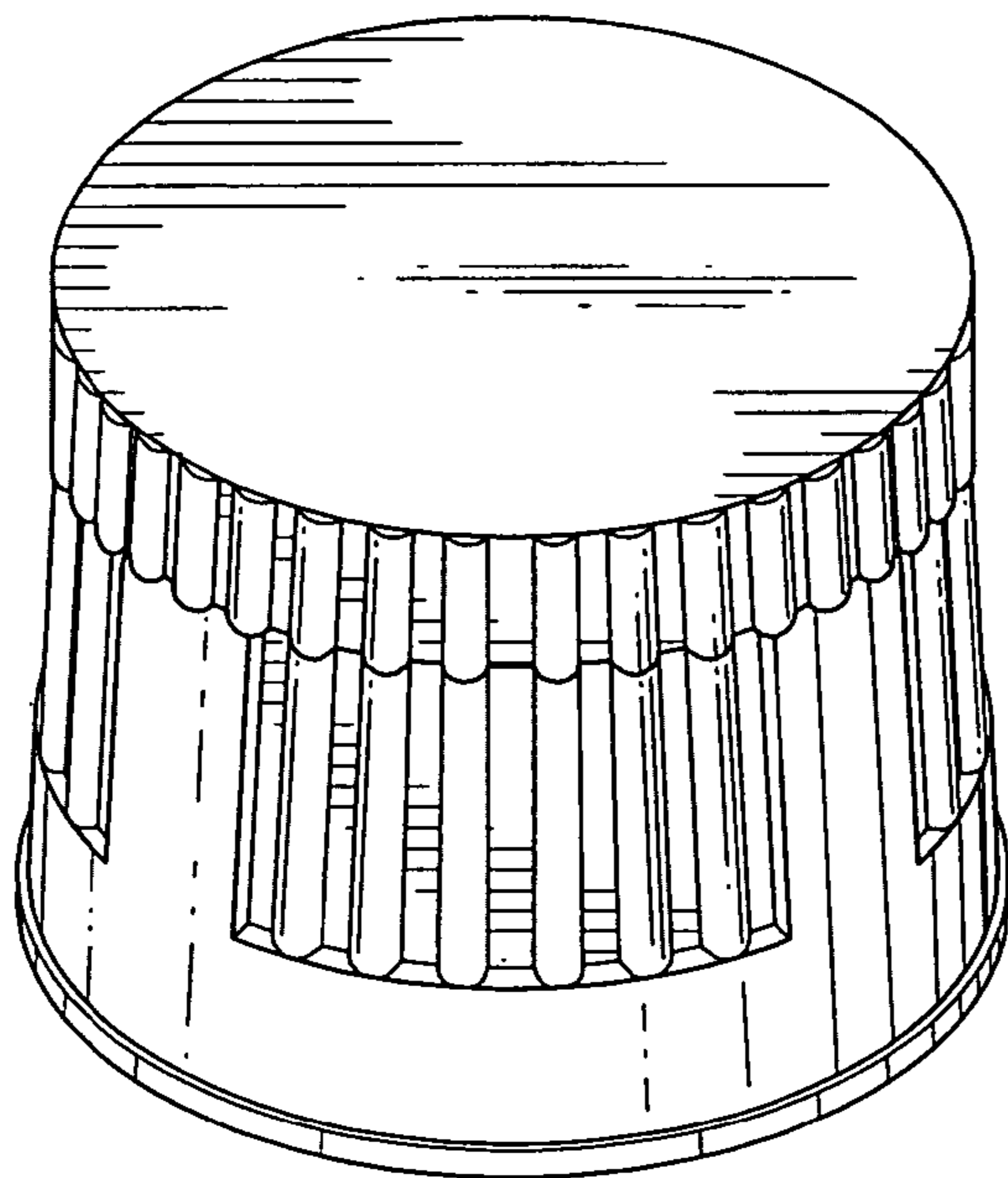


FIG. 1

FIG. 2

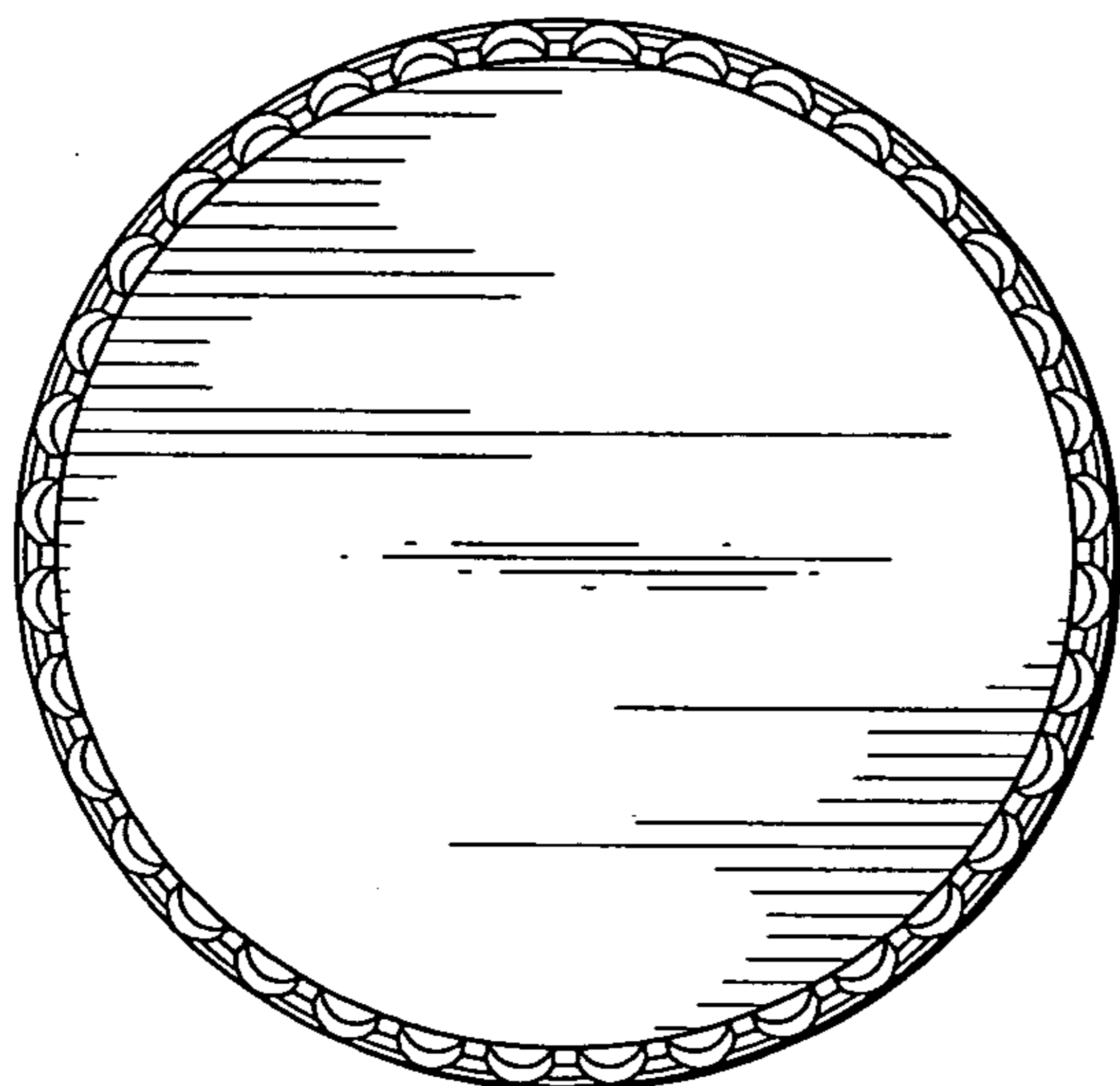
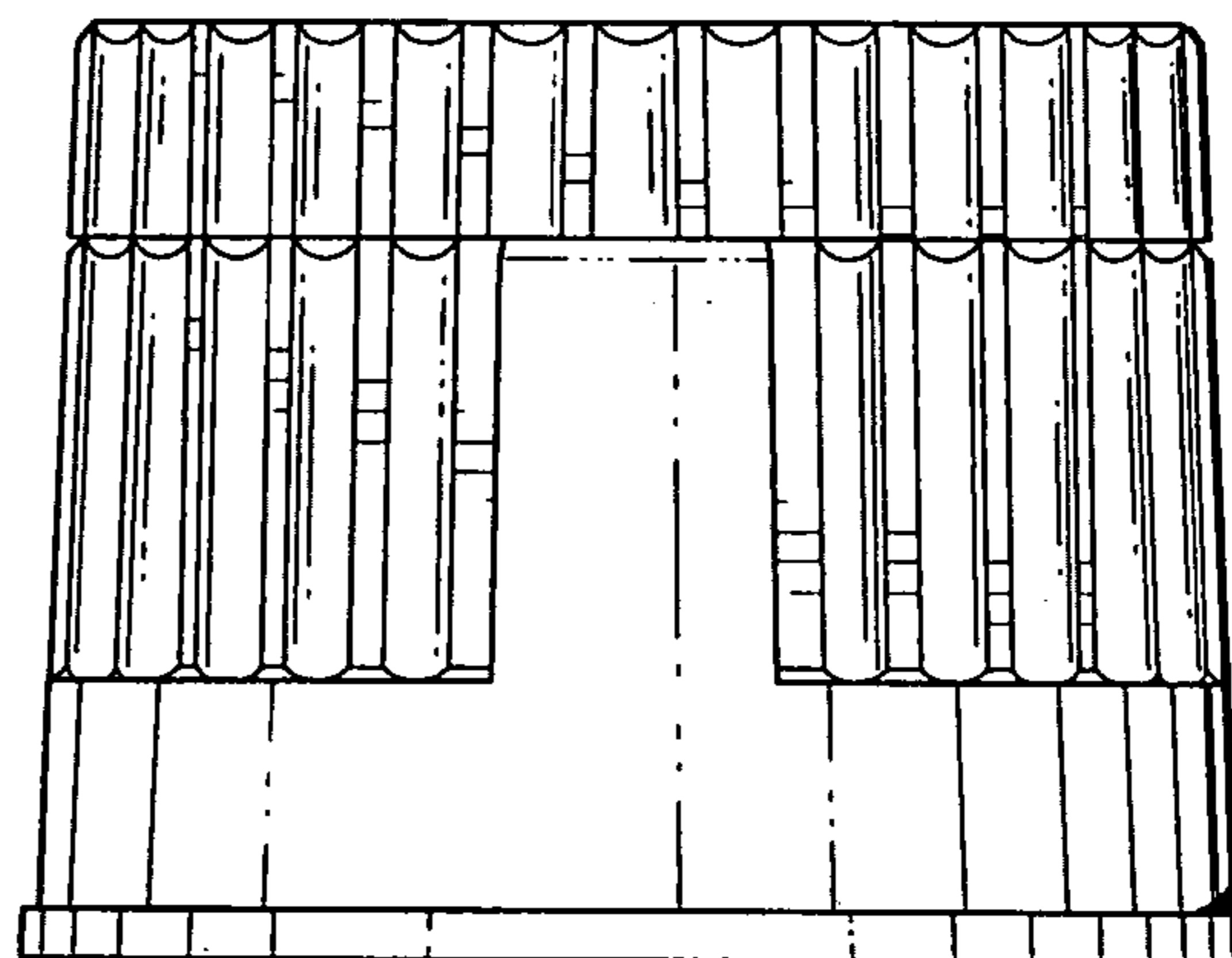


FIG. 3

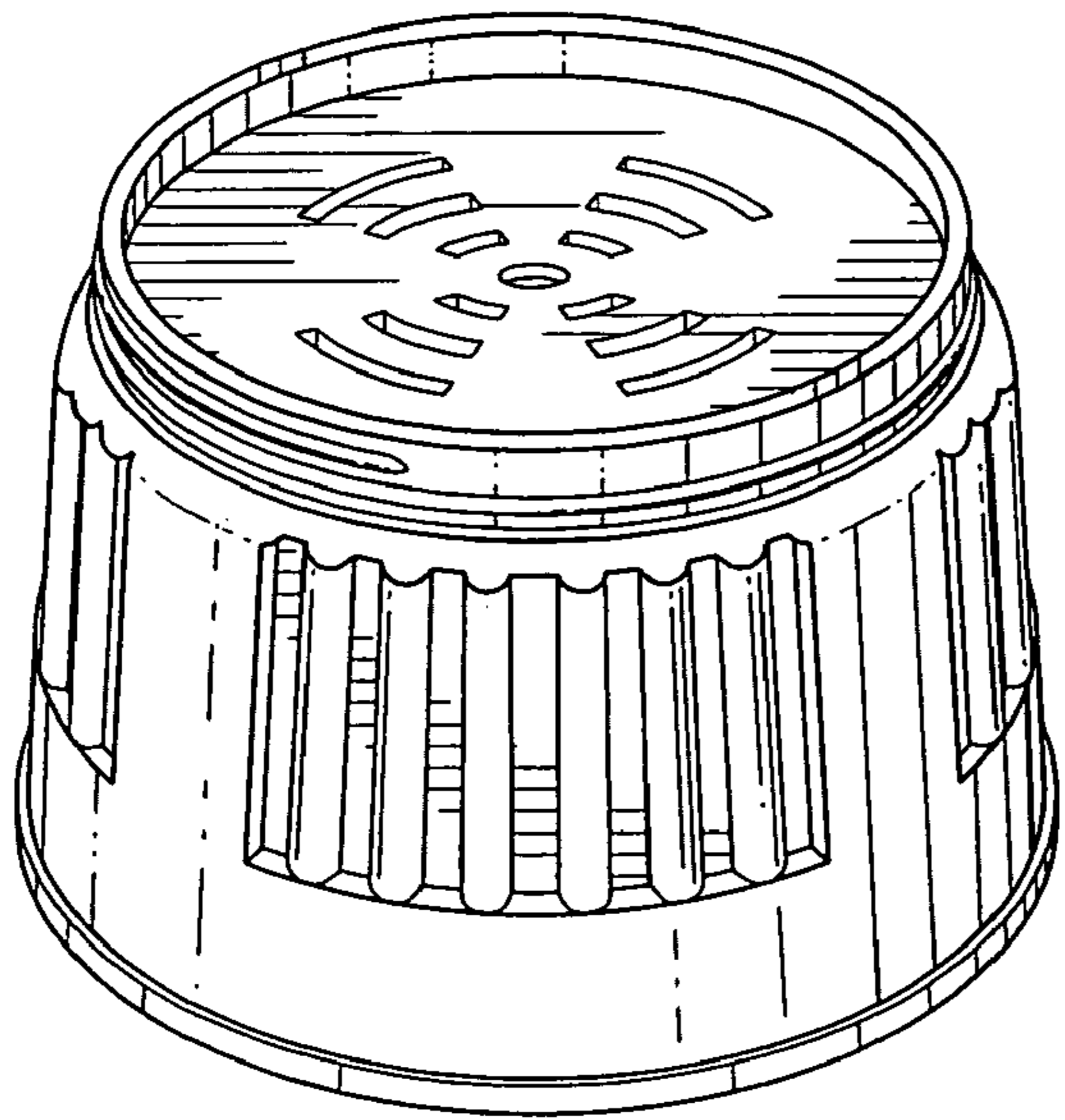


FIG. 4

FIG. 5

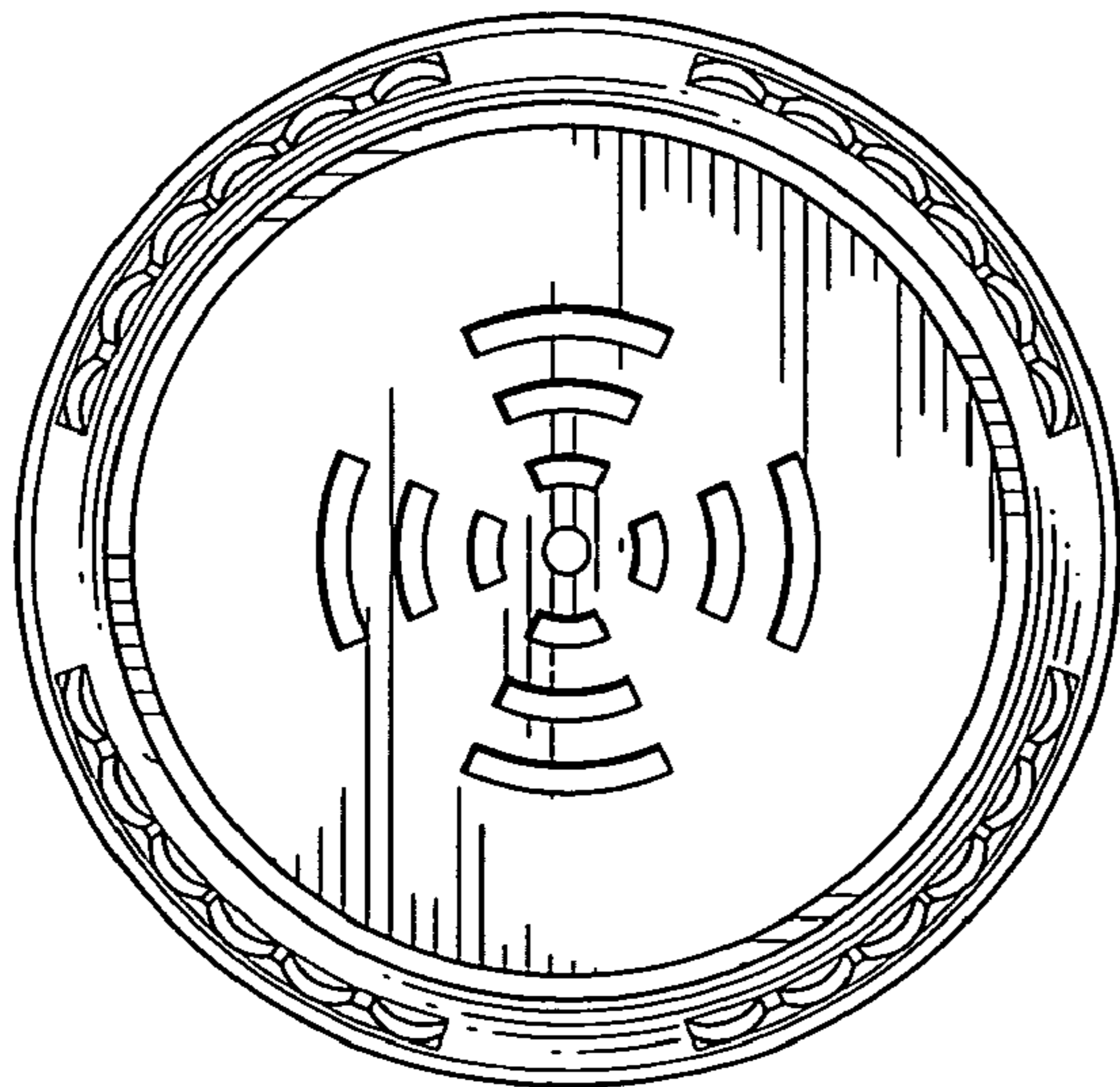
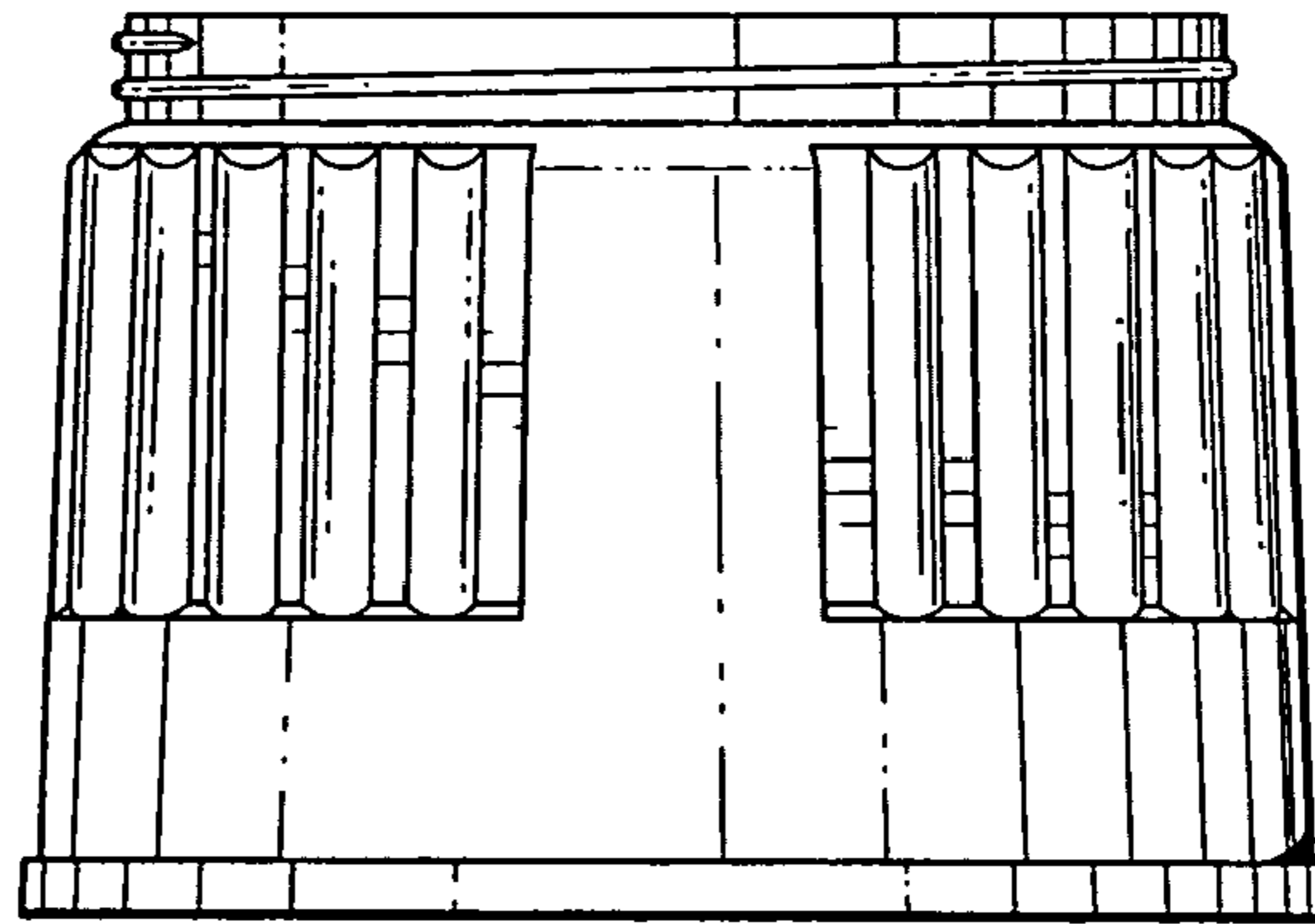


FIG. 6