



US00D574238S

(12) **United States Design Patent**  
**Walker et al.**

(10) **Patent No.:** **US D574,238 S**  
(45) **Date of Patent:** **\*\* Aug. 5, 2008**

(54) **LID**  
(75) Inventors: **Thomas B. Walker**, Evansville, IN (US); **Milan C. Maravich**, Newburgh, IN (US); **David O’Nan**, Henderson, KY (US)  
(73) Assignee: **Berry Plastics Corporation**, Evansville, IN (US)  
(\*\*) Term: **14 Years**  
(21) Appl. No.: **29/282,629**  
(22) Filed: **Jul. 25, 2007**  
(51) **LOC (8) Cl.** ..... **09-07**  
(52) **U.S. Cl.** ..... **D9/452; D9/454; D9/435**  
(58) **Field of Classification Search** ..... D9/454, D9/453, 452, 448, 445, 444, 436, 435, 425; D7/629, 587, 392.1, 391; D3/318; 220/802, 220/784, 781, 780, 737; 215/317, 316, 270, 215/261; D24/196  
See application file for complete search history.

D258,576 S \* 3/1981 Smith ..... D9/452  
4,266,689 A 5/1981 Asher  
4,349,119 A 9/1982 Letica  
4,351,448 A 9/1982 Ingersoll et al.  
4,421,244 A \* 12/1983 Van Melle ..... 220/781  
4,446,986 A 5/1984 Bowen et al.  
4,508,235 A 4/1985 Steele et al.  
4,562,937 A 1/1986 Iyengar  
D286,026 S \* 10/1986 Rayner ..... D9/435  
4,640,435 A 2/1987 Dutt  
4,679,699 A 7/1987 Malsbury et al.  
4,721,210 A 1/1988 Lawrence et al.  
4,934,557 A 6/1990 Smith  
D309,564 S \* 7/1990 Rayner ..... D9/435  
5,377,860 A 1/1995 Littlejohn et al.  
D380,385 S \* 7/1997 Litke ..... D9/452  
D381,267 S \* 7/1997 Rush et al. .... D9/452  
5,979,690 A 11/1999 Hartley  
6,056,144 A 5/2000 Strange et al.  
6,302,288 B1 10/2001 Nava et al.  
D452,155 S \* 12/2001 Stodd ..... D9/454

(Continued)

*Primary Examiner*—Gary D. Watson  
*Assistant Examiner*—Susan Bennett Hattan  
(74) *Attorney, Agent, or Firm*—Barnes & Thornburg LLP

(56) **References Cited**

U.S. PATENT DOCUMENTS

D111,097 S \* 8/1938 White ..... D9/453  
2,985,354 A 5/1961 Aldington  
3,048,317 A 8/1962 Cochrane et al.  
3,055,540 A 9/1962 Ringlen  
3,262,602 A 7/1966 McConnell et al.  
3,583,596 A \* 6/1971 Brewer ..... 220/781  
D221,420 S \* 8/1971 Swampscott ..... D9/453  
D222,905 S \* 2/1972 Kinney ..... D9/439  
3,677,435 A 7/1972 Davis  
3,679,088 A 7/1972 Swett et al.  
3,743,133 A 7/1973 Rathbun  
3,805,991 A 4/1974 Cheladze et al.  
D233,599 S \* 11/1974 Swampscott ..... D9/453  
3,977,563 A 8/1976 Holt  
4,006,839 A 2/1977 Thiel et al.  
4,054,229 A 10/1977 Arfert  
4,210,258 A 7/1980 von Holdt  
D256,558 S \* 8/1980 Smith ..... D9/454

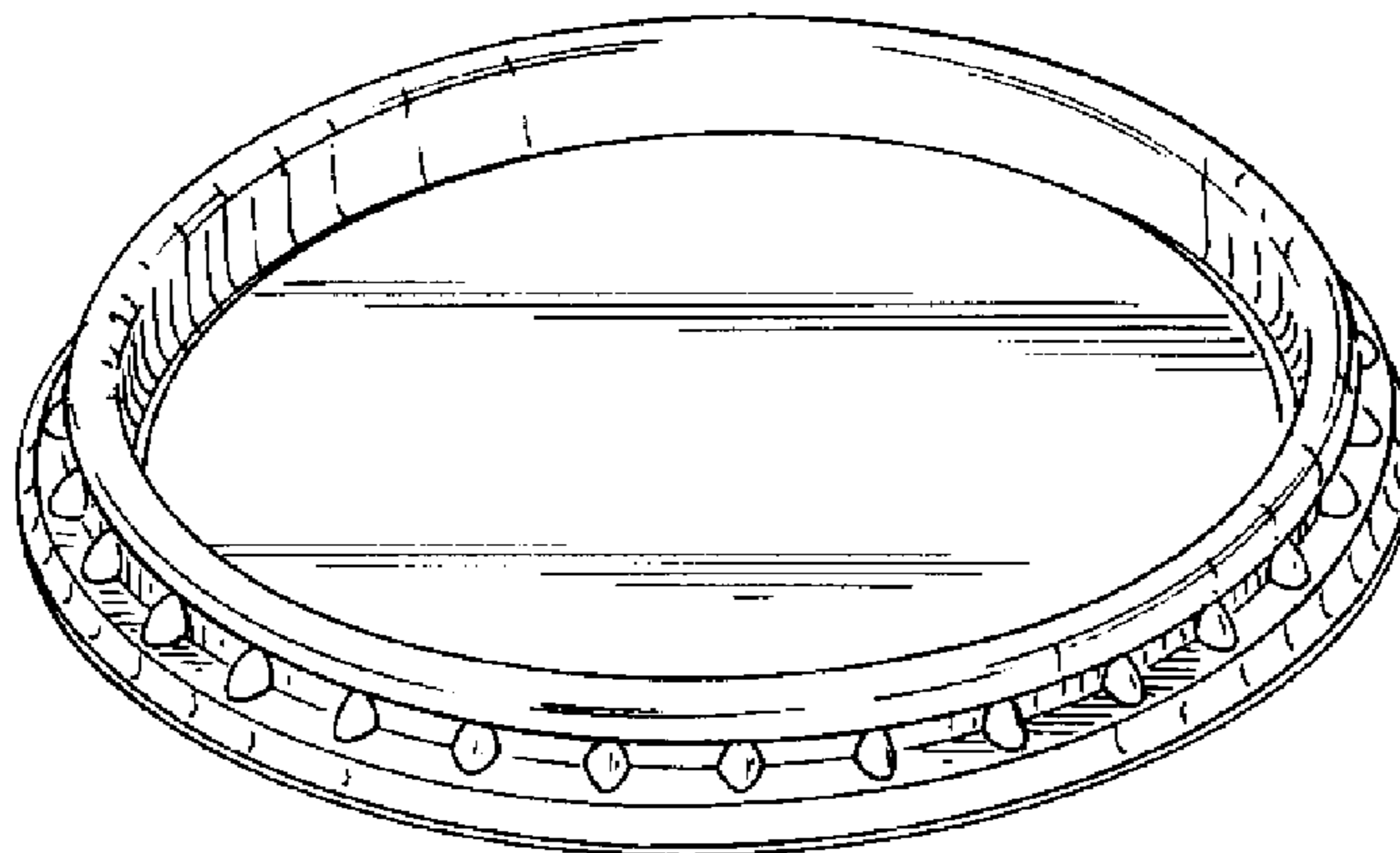
(57) **CLAIM**

The ornamental design for a lid, as shown and described.

**DESCRIPTION**

FIG. 1 is a top side perspective view of a lid showing our new design;  
FIG. 2 is a top plan view thereof;  
FIG. 3 is a bottom view thereof;  
FIG. 4 is a front elevational view thereof, the opposite side being a mirror image thereof; and,  
FIG. 5 is a sectional view taken along 5—5 of FIG. 2.

**1 Claim, 2 Drawing Sheets**



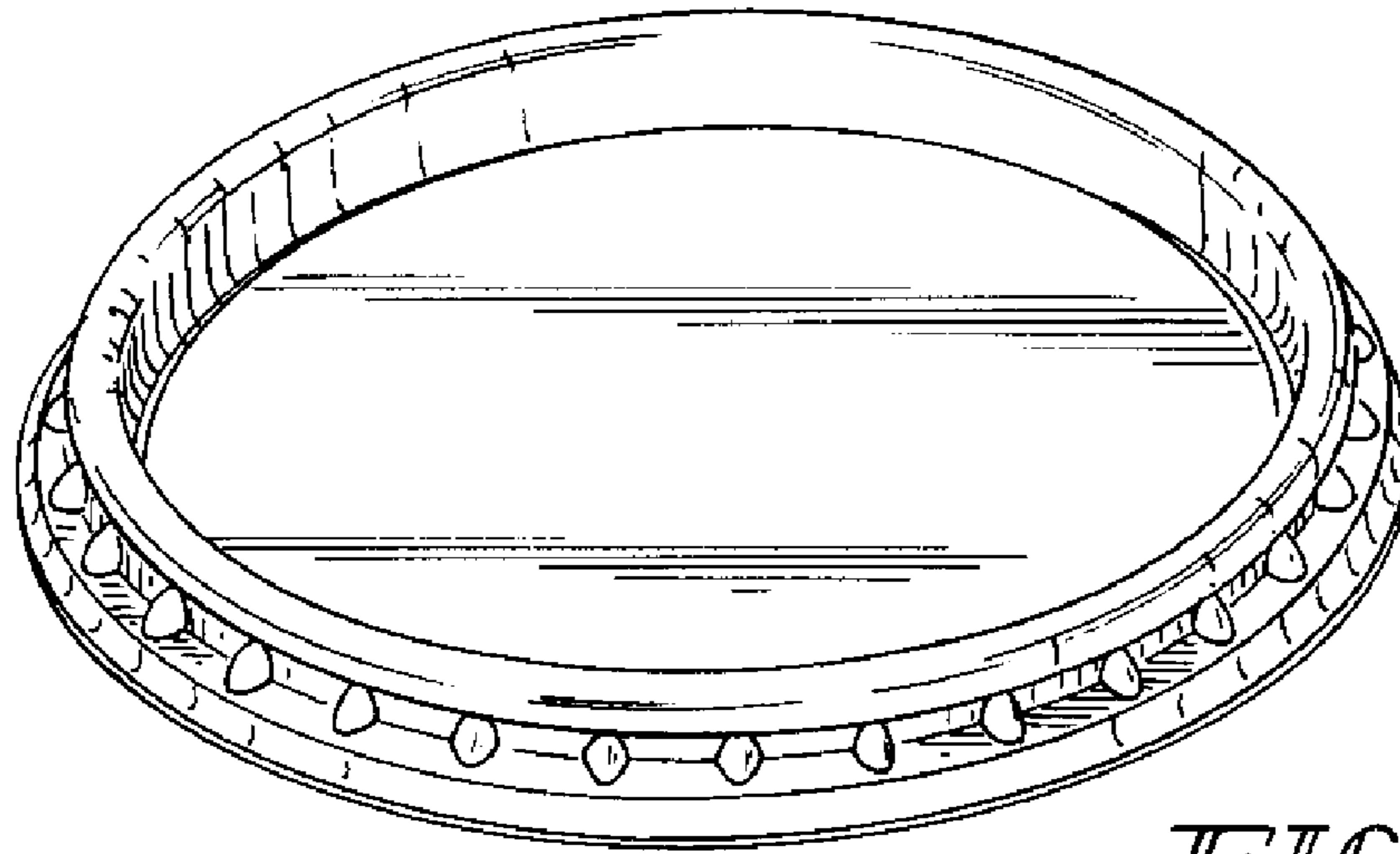
# US D574,238 S

Page 2

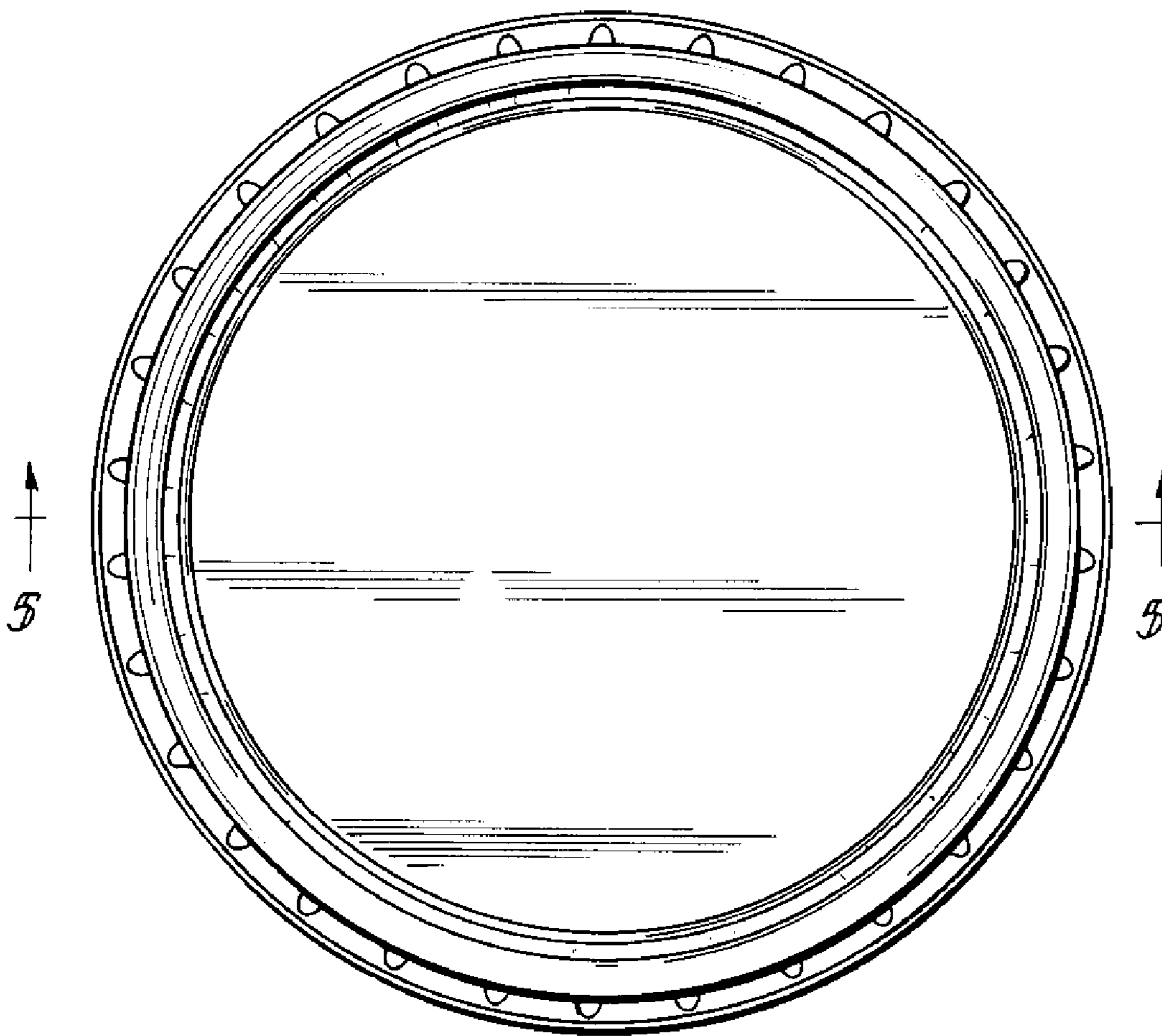
## U.S. PATENT DOCUMENTS

6,357,619	B1	3/2002	Schaefer					
6,419,112	B1	7/2002	Bruce et al.					
6,460,716	B1	10/2002	Wong					
6,688,487	B2	2/2004	Oakes et al.					
D502,050	S *	2/2005	Munson et al.	.....	D7/392.1			
6,910,599	B2	6/2005	Tucker et al.					
6,932,234	B2	8/2005	D'Amato					
D516,910	S	3/2006	Bresler					
D517,322	S *	3/2006	Zettle et al.	.....	D9/452			
D521,382	S *	5/2006	Gross et al.	.....	D9/452			
						D527,261	S *	8/2006 Hornke ..... D9/454
						D560,120	S *	1/2008 Maravich et al. .... D9/454
						D564,354	S *	3/2008 Maravich et al. .... D9/452
						2002/0037378	A1	3/2002 Littlejohn et al.
						2004/0011803	A1	1/2004 D'Amato
						2004/0094553	A1	5/2004 Crider et al.
						2004/0245261	A1	12/2004 Stanos et al.
						2005/0109780	A1	5/2005 Pendergrass et al.
						2005/0230406	A1	10/2005 Maravich et al.
						2006/0060589	A1	3/2006 Lee

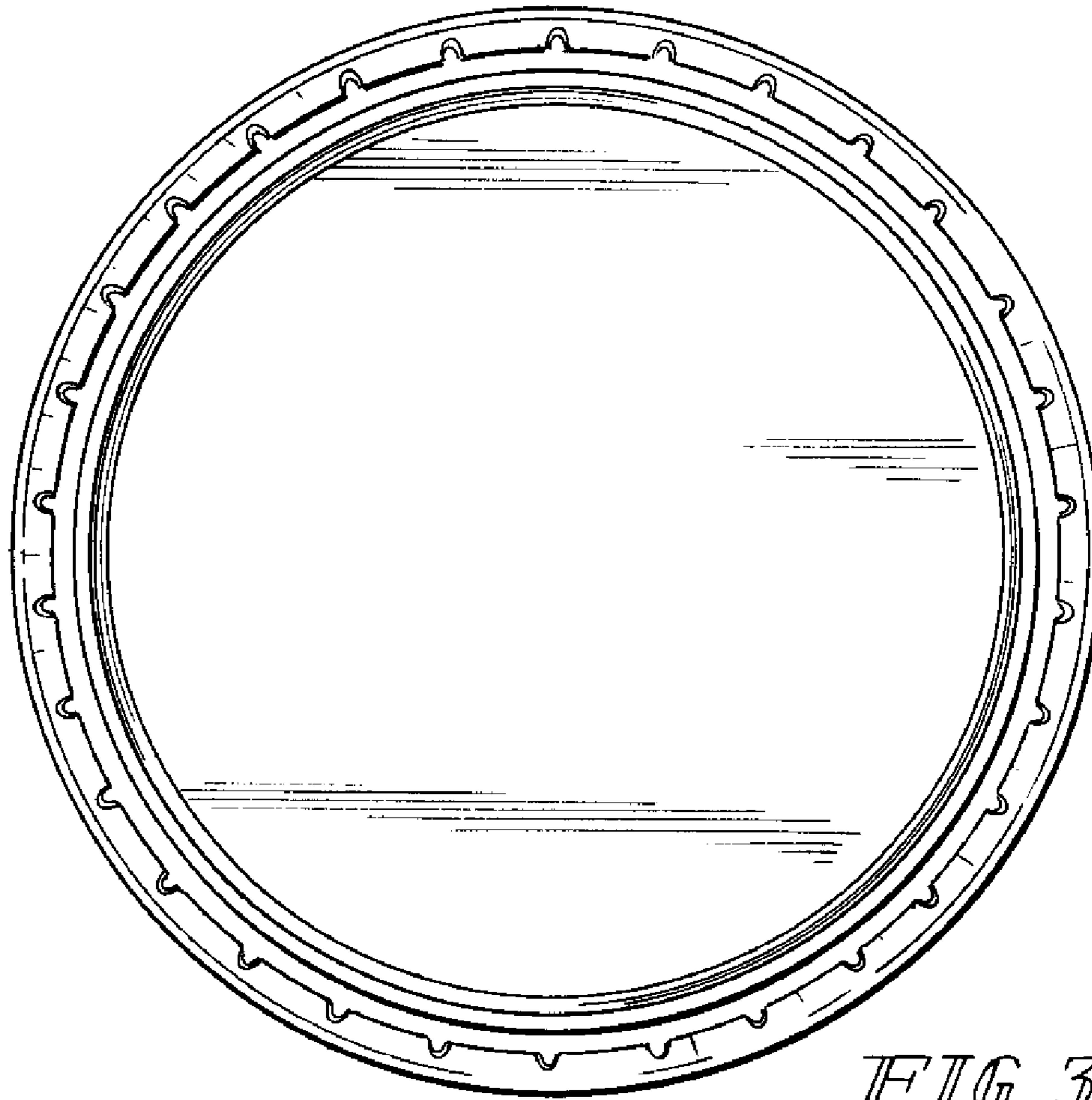
\* cited by examiner



*FIG. 1*



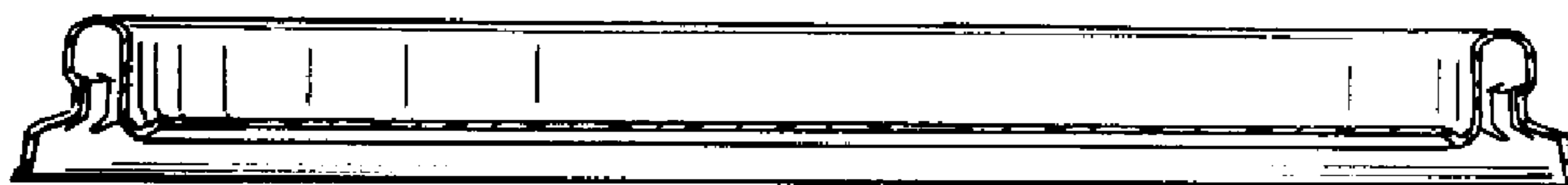
*FIG. 2*



*FIG. 3*



*FIG. 4*



*FIG. 5*