



US00D574235S

(12) **United States Design Patent**
Sawatsky

(10) **Patent No.:** **US D574,235 S**

(45) **Date of Patent:** **** Aug. 5, 2008**

(54) **WATER LID**

(75) Inventor: **Paul Sawatsky**, City of Industry, CA
(US)

(73) Assignee: **Thunder Group, Inc.**, City of Industry,
CA (US)

(**) Term: **14 Years**

(21) Appl. No.: **29/283,606**

(22) Filed: **Aug. 17, 2007**

(51) **LOC (8) Cl.** **09-07**

(52) **U.S. Cl.** **D9/435; D9/454**

(58) **Field of Classification Search** D9/454,
D9/453, 452, 448, 445, 444, 436, 435, 425;
D7/629, 587, 392.1, 391; D3/318; 220/802,
220/784, 781, 780, 737; 215/317, 316, 270,
215/261; D24/196

See application file for complete search history.

(56) **References Cited**

U.S. PATENT DOCUMENTS

- D199,283 S * 9/1964 Douglas D9/448
- D230,472 S * 2/1974 Hayes D9/448
- D238,855 S * 2/1976 Hayes D9/448
- D391,763 S * 3/1998 Wolff D3/323

- D409,088 S * 5/1999 de Maillard et al. D9/448
- D436,038 S * 1/2001 Ruiz de Gopegui D9/448
- D457,061 S * 5/2002 Walters D9/448
- D518,717 S * 4/2006 German D9/453

* cited by examiner

Primary Examiner—Gary D. Watson

Assistant Examiner—Susan Bennett Hattan

(74) *Attorney, Agent, or Firm*—Stevens & Showalter LLP

(57) **CLAIM**

The ornamental design for a “water lid,” as shown and described.

DESCRIPTION

FIG. 1 is a perspective view of water lid showing our new design;

FIG. 2 is a front view of FIG. 1, and the rear view is a mirror image of the front view;

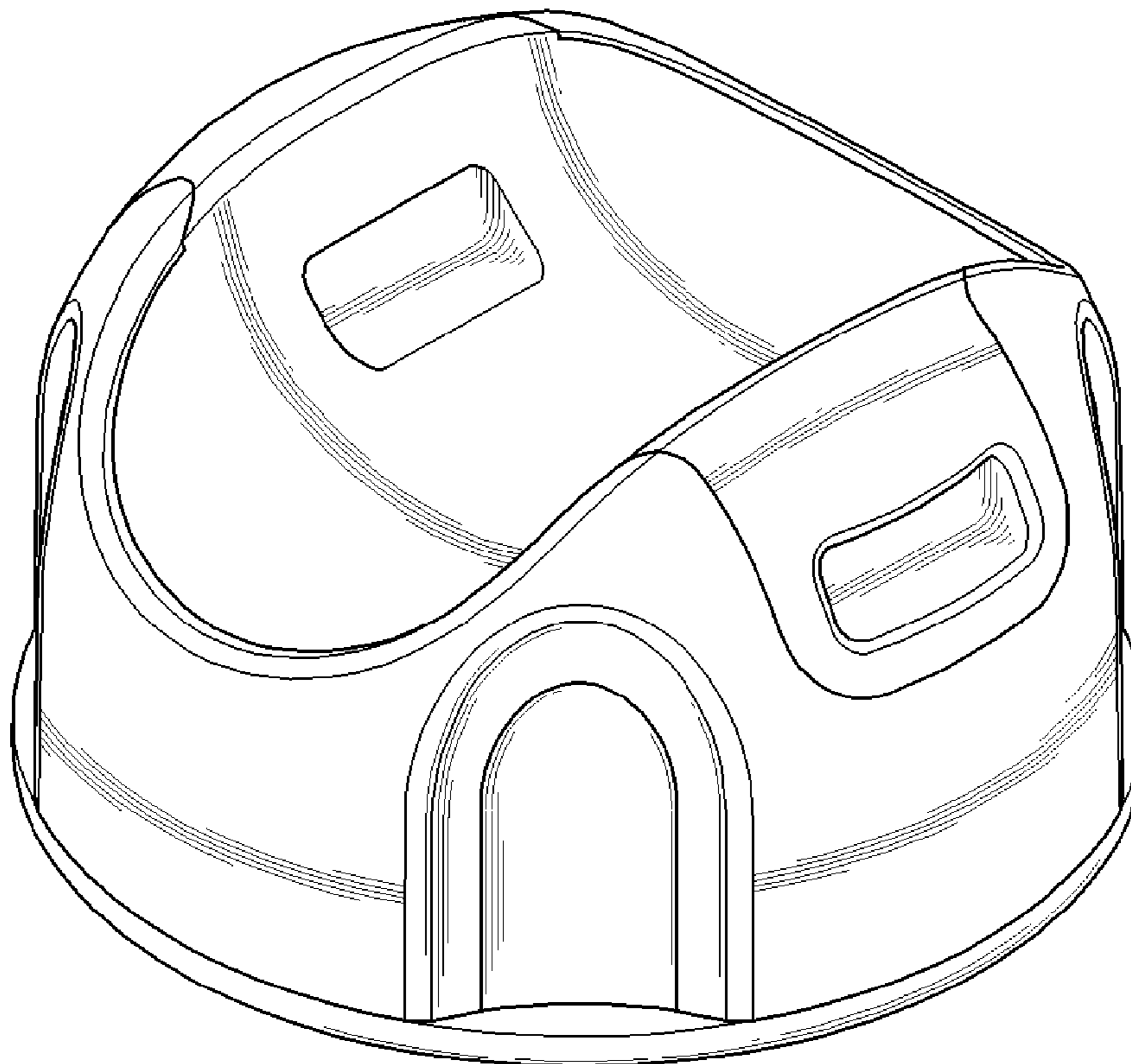
FIG. 3 is a left side view of FIG. 1, and the right view is a mirror image of the left side view;

FIG. 4 is a top view of FIG. 1;

FIG. 5 is a bottom view of FIG. 1; and,

FIG. 6 is another perspective view of FIG. 1.

1 Claim, 5 Drawing Sheets



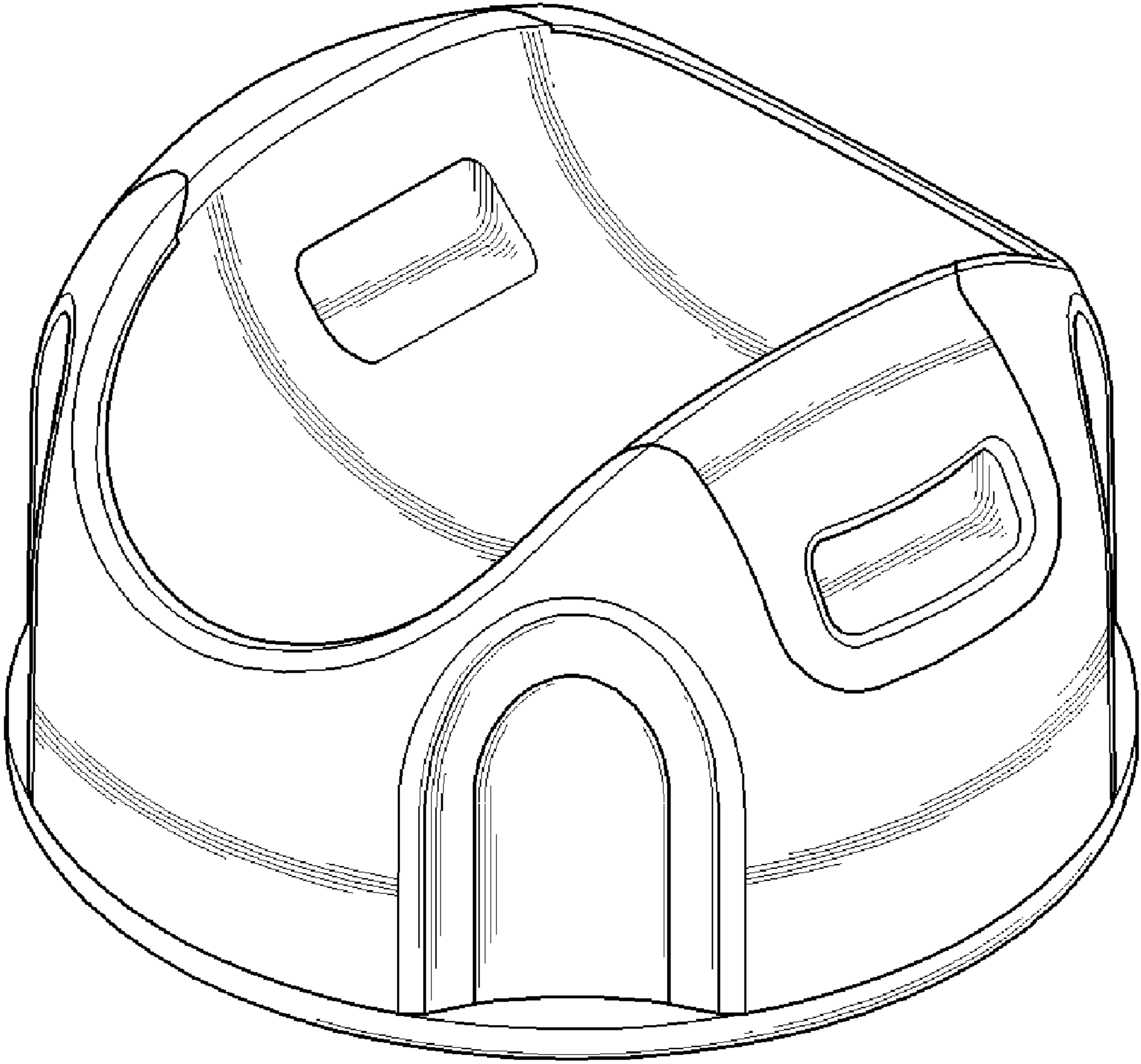


FIG. 1

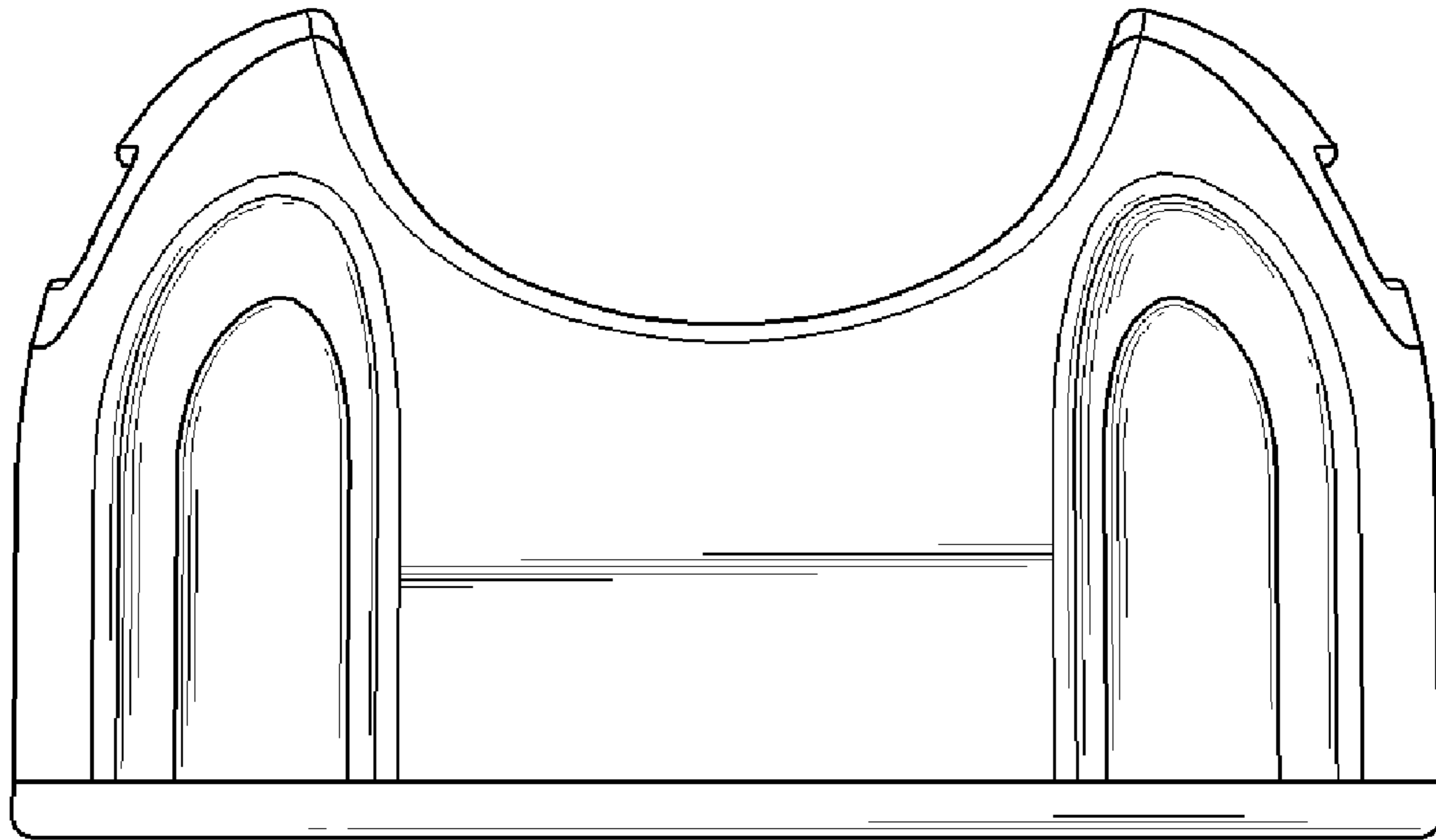


FIG. 2

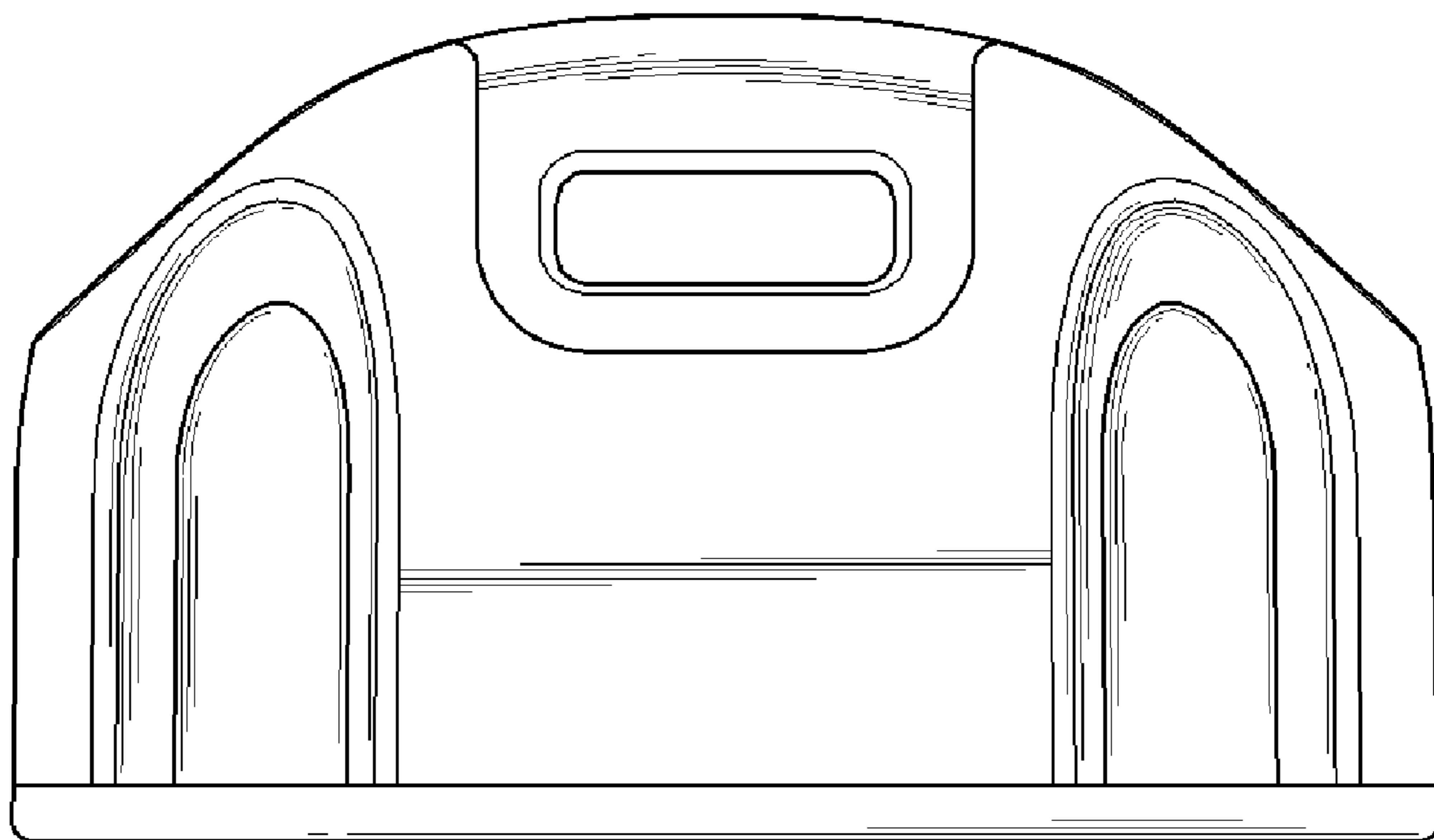


FIG. 3

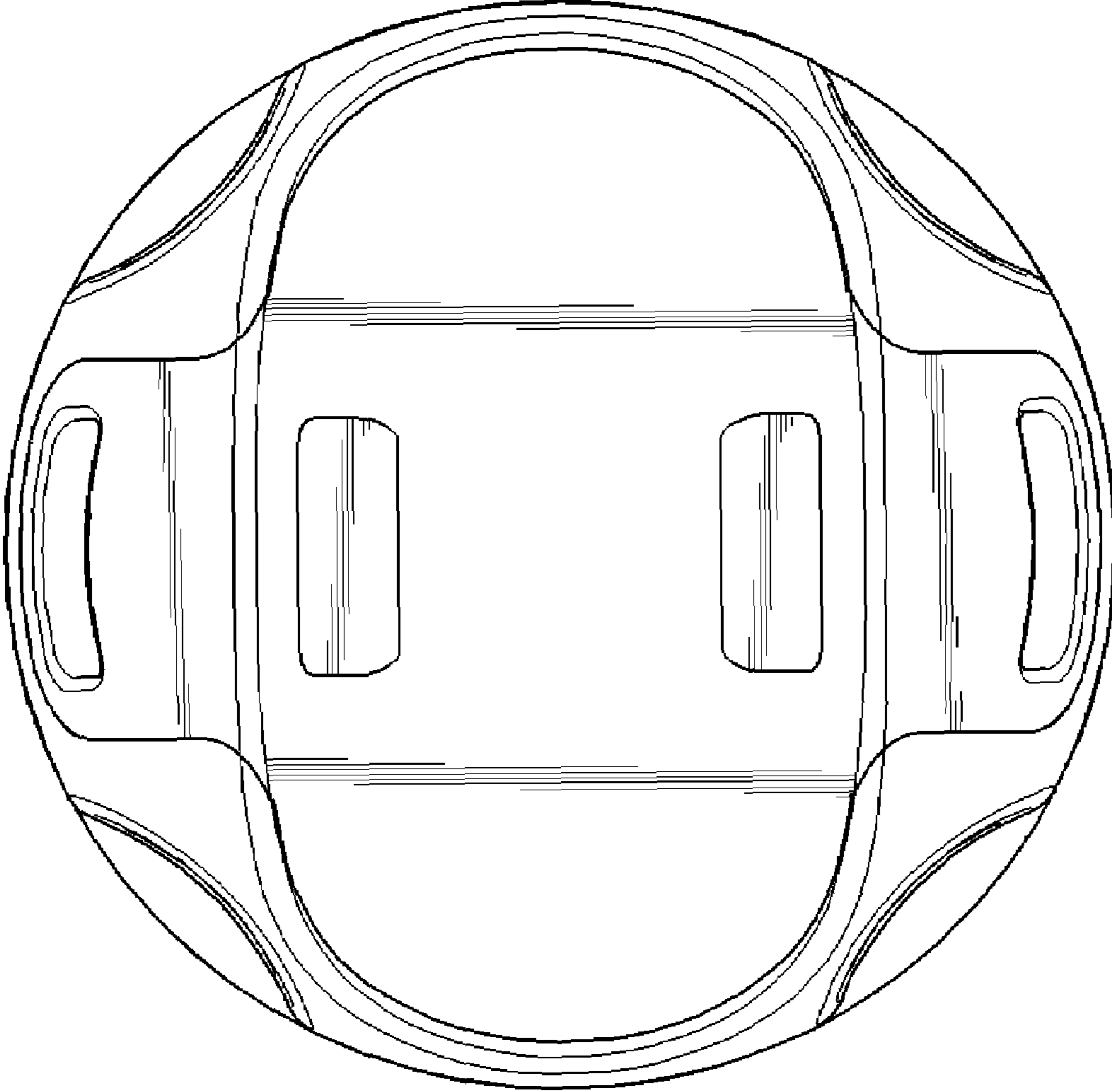


FIG.4

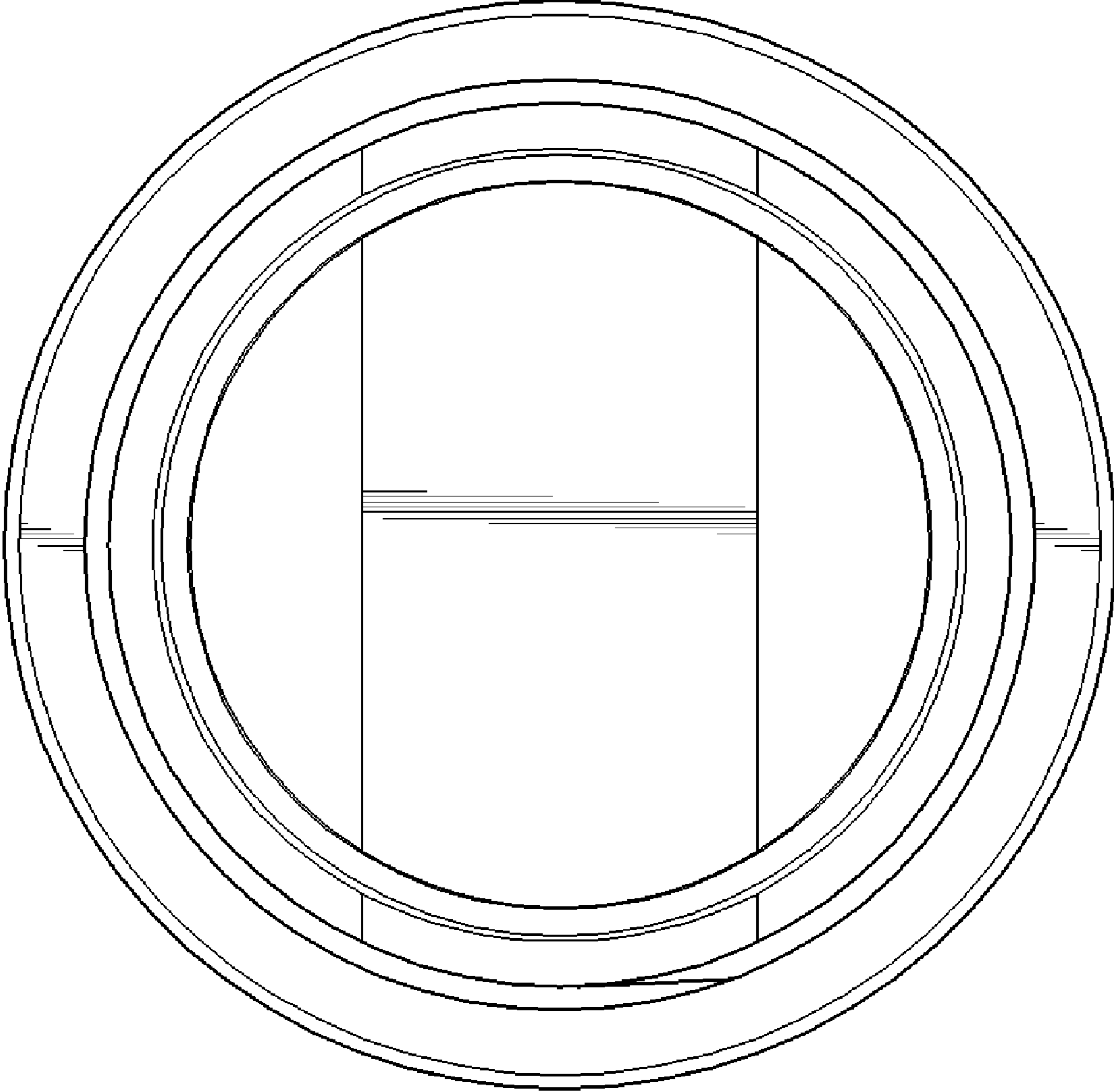


FIG.5

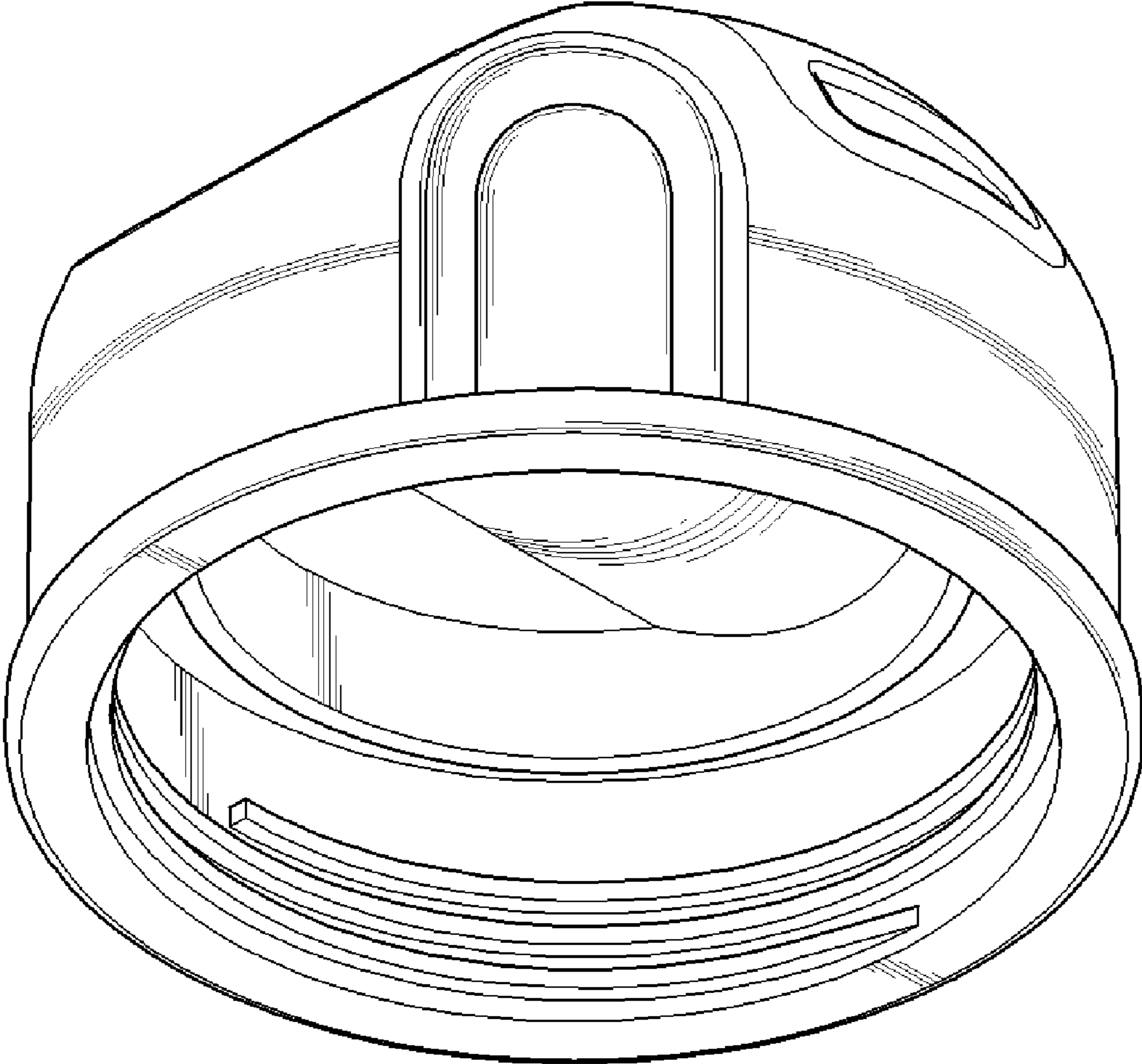


FIG.6