



US00D574230S

(12) **United States Design Patent**
Bowman et al.

(10) **Patent No.:** **US D574,230 S**

(45) **Date of Patent:** **** Aug. 5, 2008**

(54) **PACKAGE FOR AN OPHTHALMIC PRODUCT**

(75) Inventors: **Vincent Bowman**, Highland Park, IL
(US); **Larbi van Lier**, Cumming, GA
(US)

(73) Assignee: **Novartis AG**, Basel (CH)

(**) Term: **14 Years**

(21) Appl. No.: **29/249,565**

(22) Filed: **Oct. 12, 2006**

(51) **LOC (8) Cl.** **09-03**

(52) **U.S. Cl.** **D9/418**

(58) **Field of Classification Search** D9/711,
D9/715, 721, 414-432; D28/76, 83, 77,
D28/73; D3/201-203.8, 205, 263-265, 267,
D3/298, 302; 206/121, 134, 216, 570, 572,
206/267, 270, 277, 5, 5.1, 6, 6.1, 294, 301,
206/18, 70, 316.1, 316.2, 349, 351, 363,
206/368, 371, 385, 68, 418, 438, 775-783,
206/557, 559, 562-564, 565, 566, 823, 828;
229/125.015, 125.125, 162.1, 162.4, 87.06,
229/125.12

See application file for complete search history.

(56) **References Cited**

U.S. PATENT DOCUMENTS

2,421,748 A * 6/1947 Fink 206/418
2,936,944 A * 5/1960 Arlington 229/125.125
D205,970 S * 10/1966 Leifield D9/414
3,389,847 A * 6/1968 Darot 229/112.32

D217,502 S * 5/1970 Valerie D8/71
4,007,828 A * 2/1977 Mayled 206/1.5
4,799,588 A * 1/1989 Trisl 206/301
5,582,293 A * 12/1996 Kay 206/457
D383,064 S * 9/1997 Tsukikawa D9/432
D398,527 S * 9/1998 Maceachern et al. D9/432
5,855,345 A * 1/1999 DiMaggio 248/176.1
2006/0266672 A1 * 11/2006 Young 206/776
2007/0227943 A1 * 10/2007 Foushee 206/775

* cited by examiner

Primary Examiner—Catherine Tuttle

(74) *Attorney, Agent, or Firm*—Robert Ambrose

(57) **CLAIM**

The ornamental design for a package for an ophthalmic product, as shown and described.

DESCRIPTION

FIG. 1 is a top perspective view of a package for an ophthalmic product showing our new design in the closed position;

FIG. 2 is the top view of FIG. 1;

FIG. 3 is the bottom view of FIG. 1;

FIG. 4 is the front end view of FIG. 1;

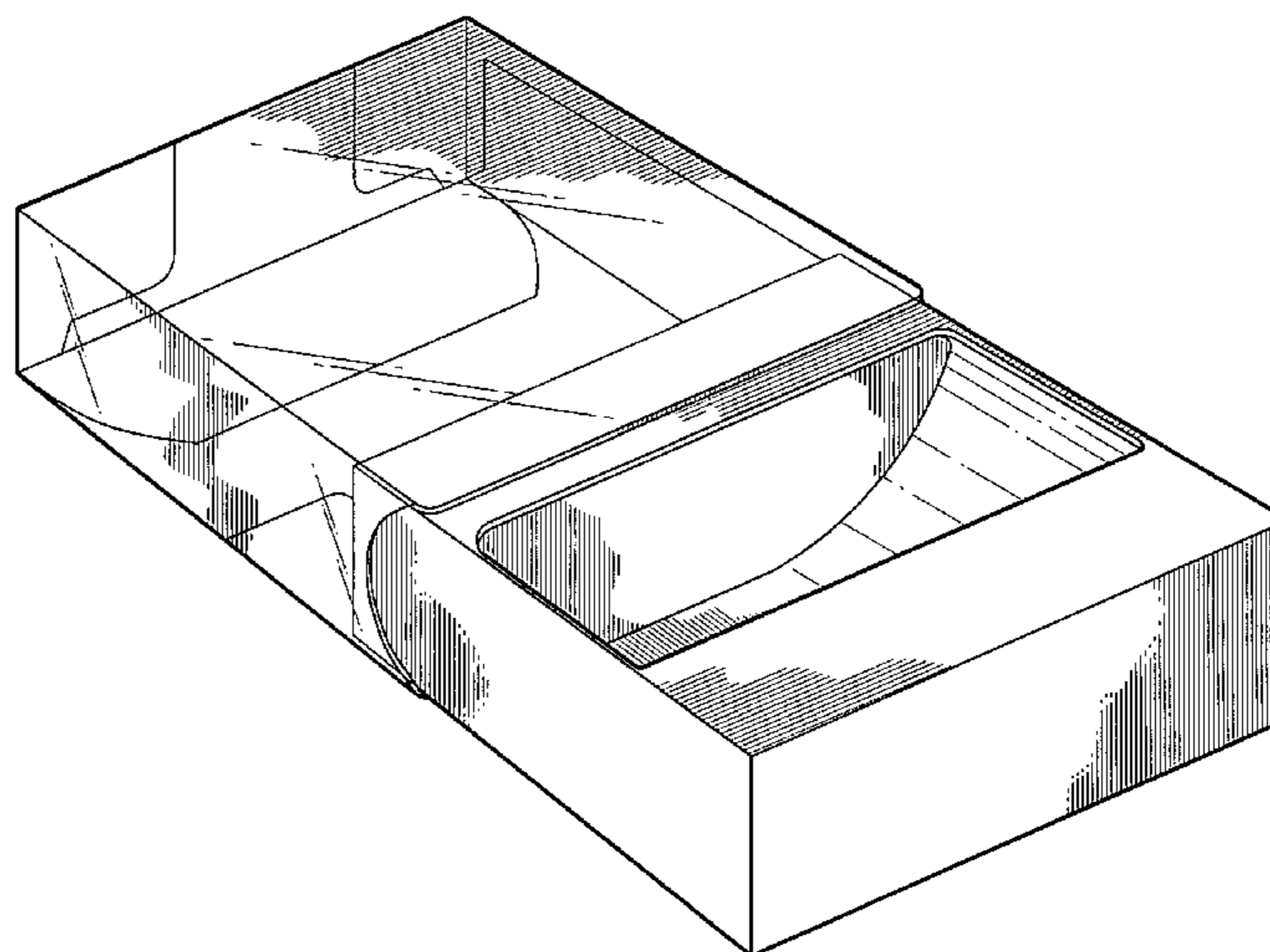
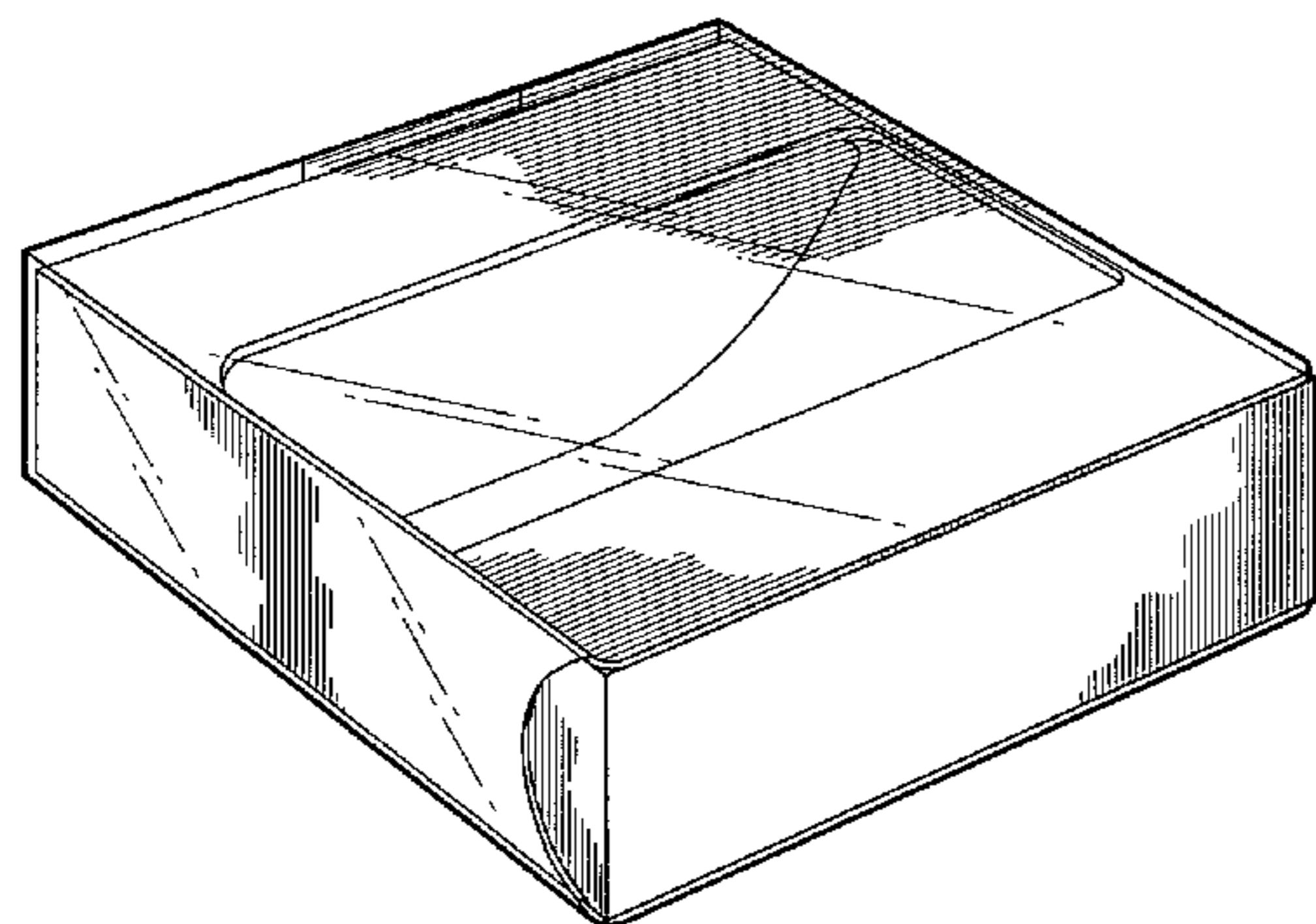
FIG. 5 is the rear end view of FIG. 1;

FIG. 6 is the right side view of FIG. 1;

FIG. 7 is the left side view of FIG. 1; and,

FIG. 8 is a top perspective view showing the design in an opened position.

1 Claim, 6 Drawing Sheets



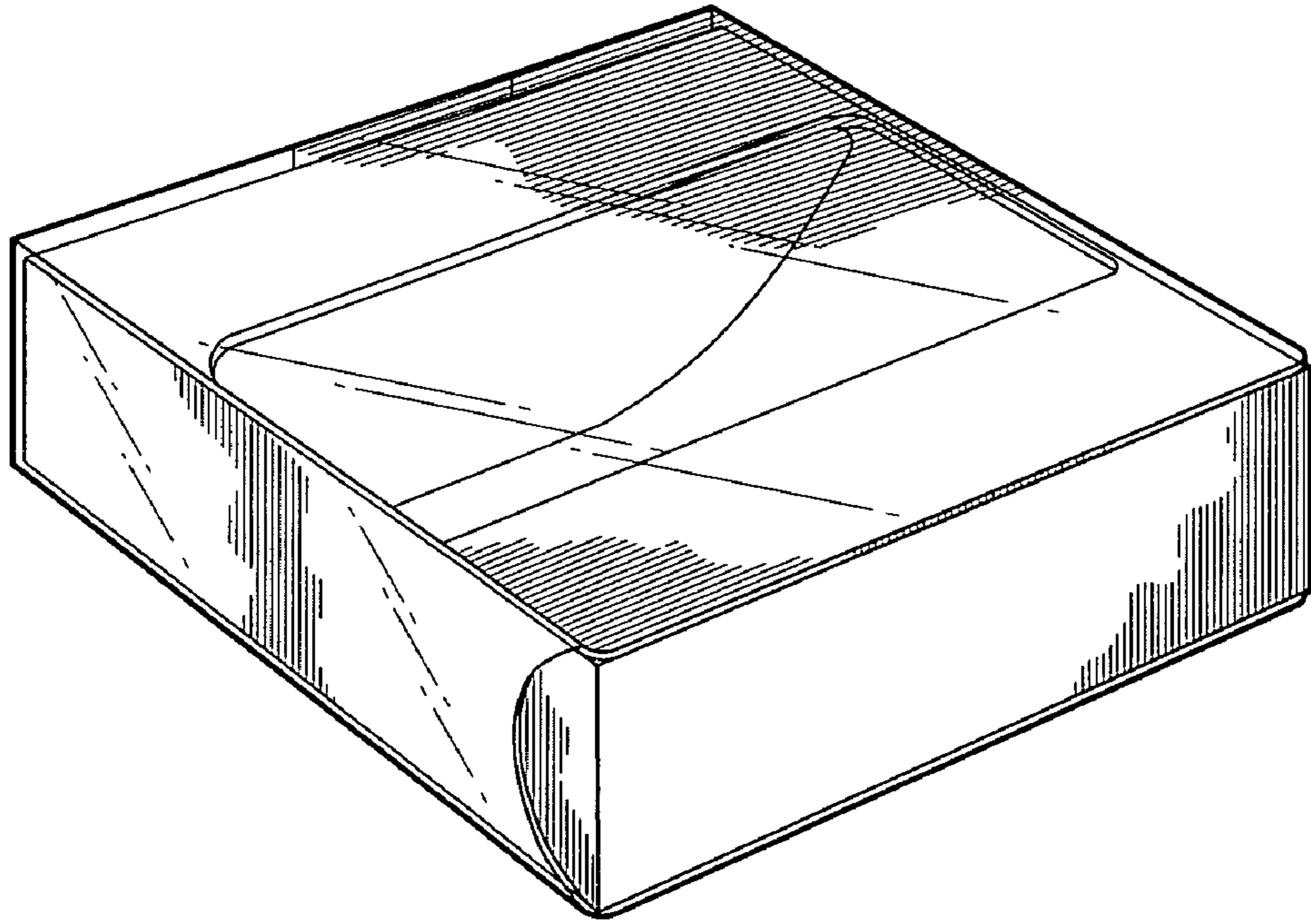


FIG. 1

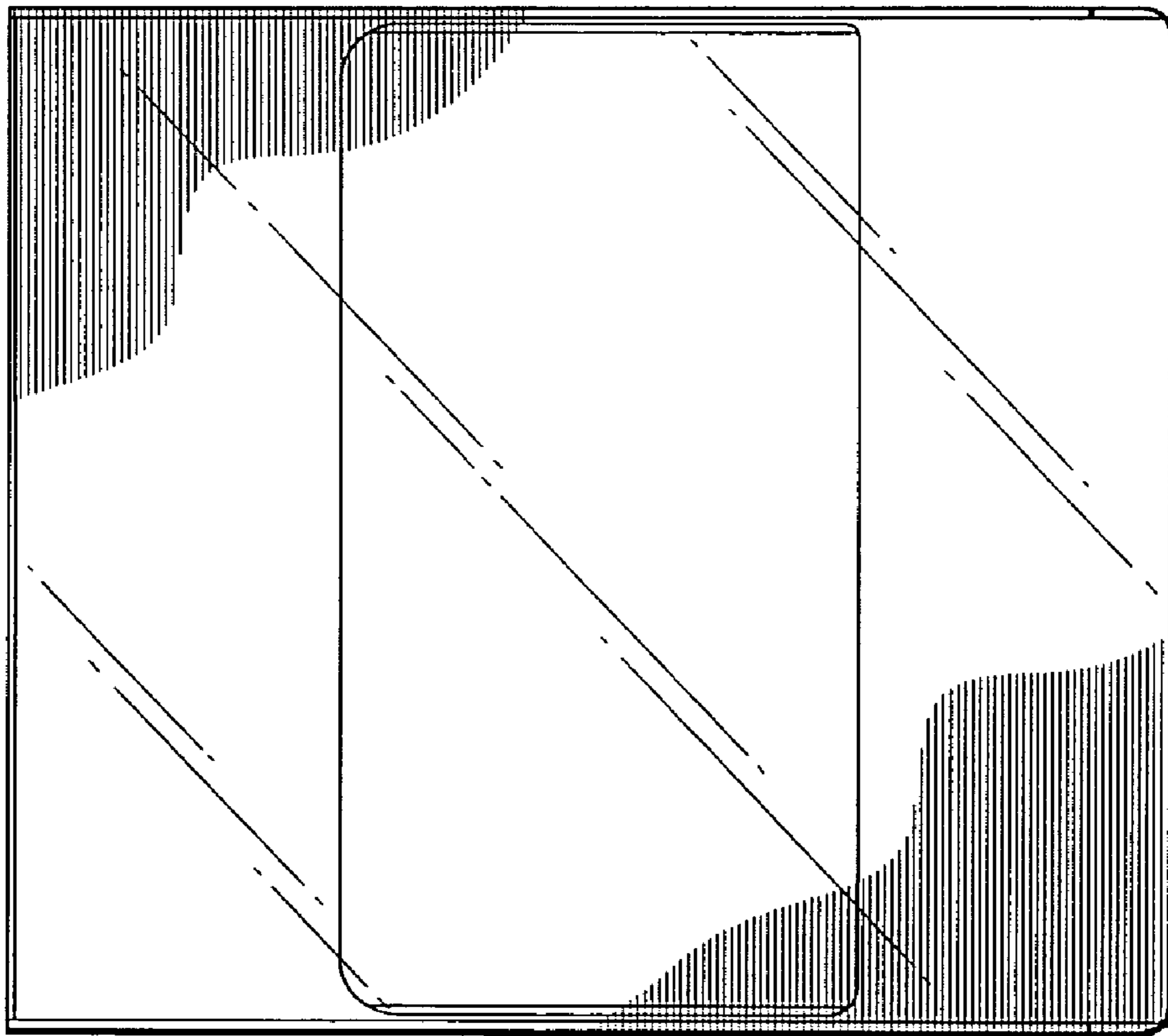


FIG. 2

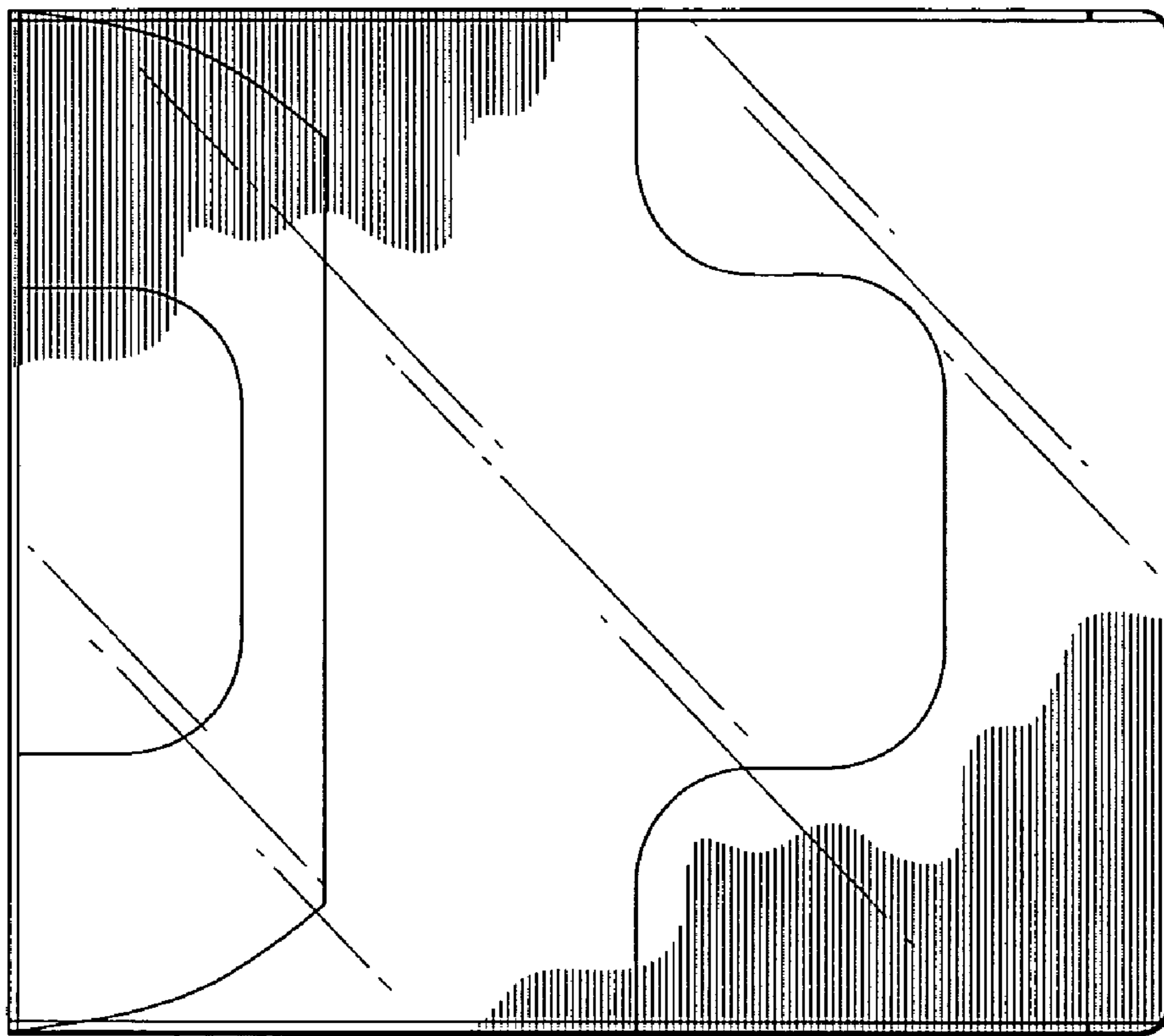


FIG. 3

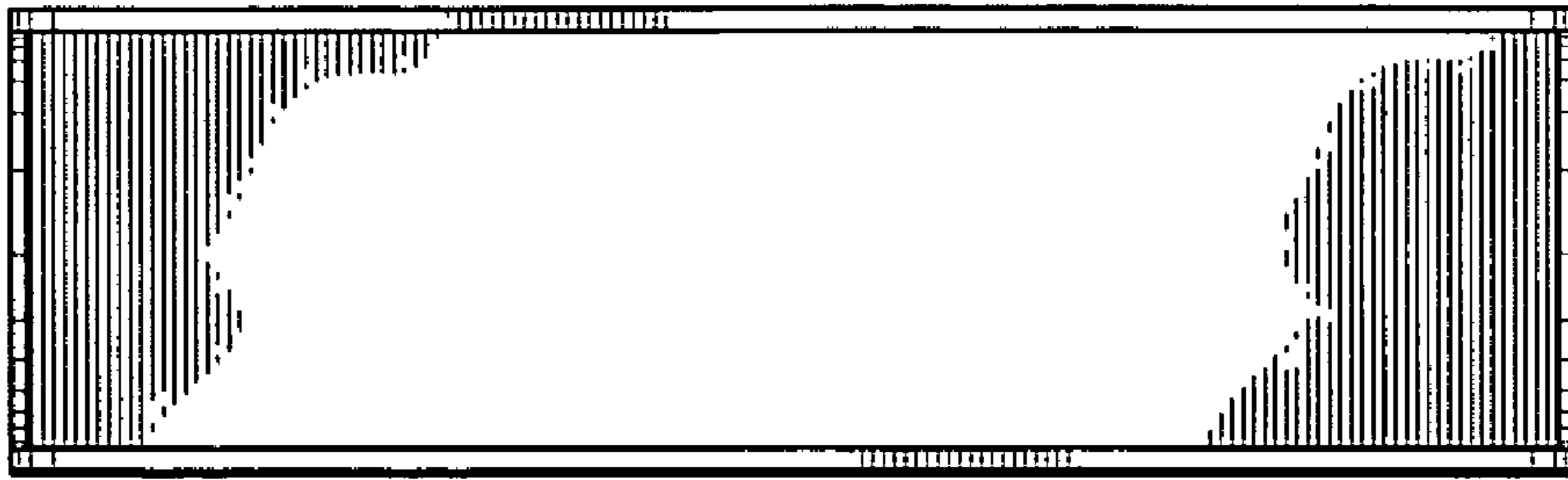


FIG. 4

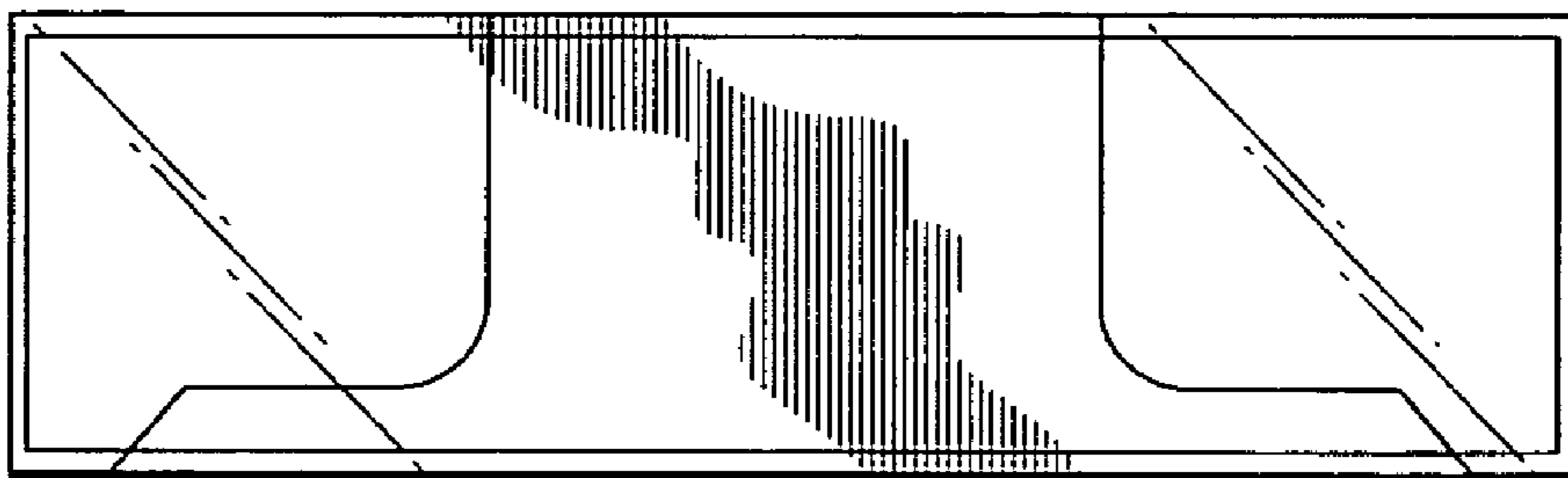


FIG. 5

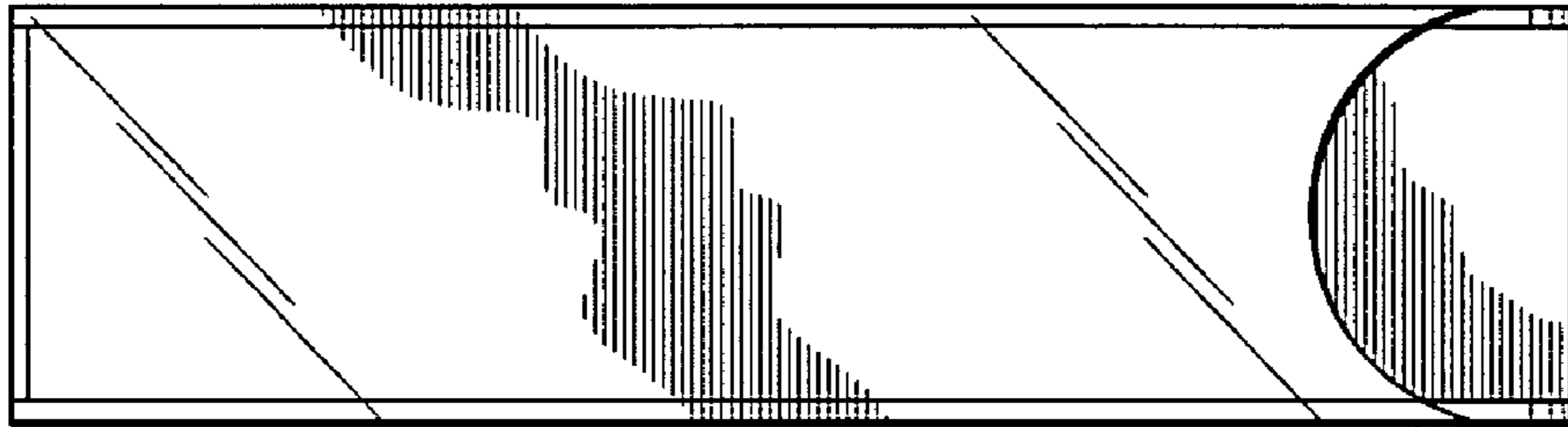


FIG. 6

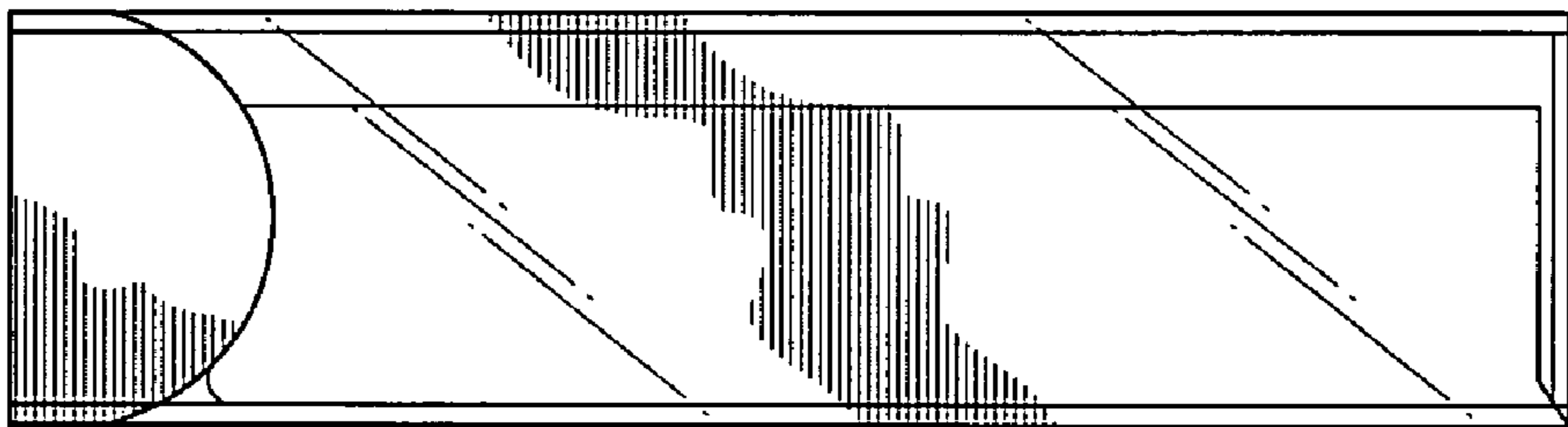


FIG. 7

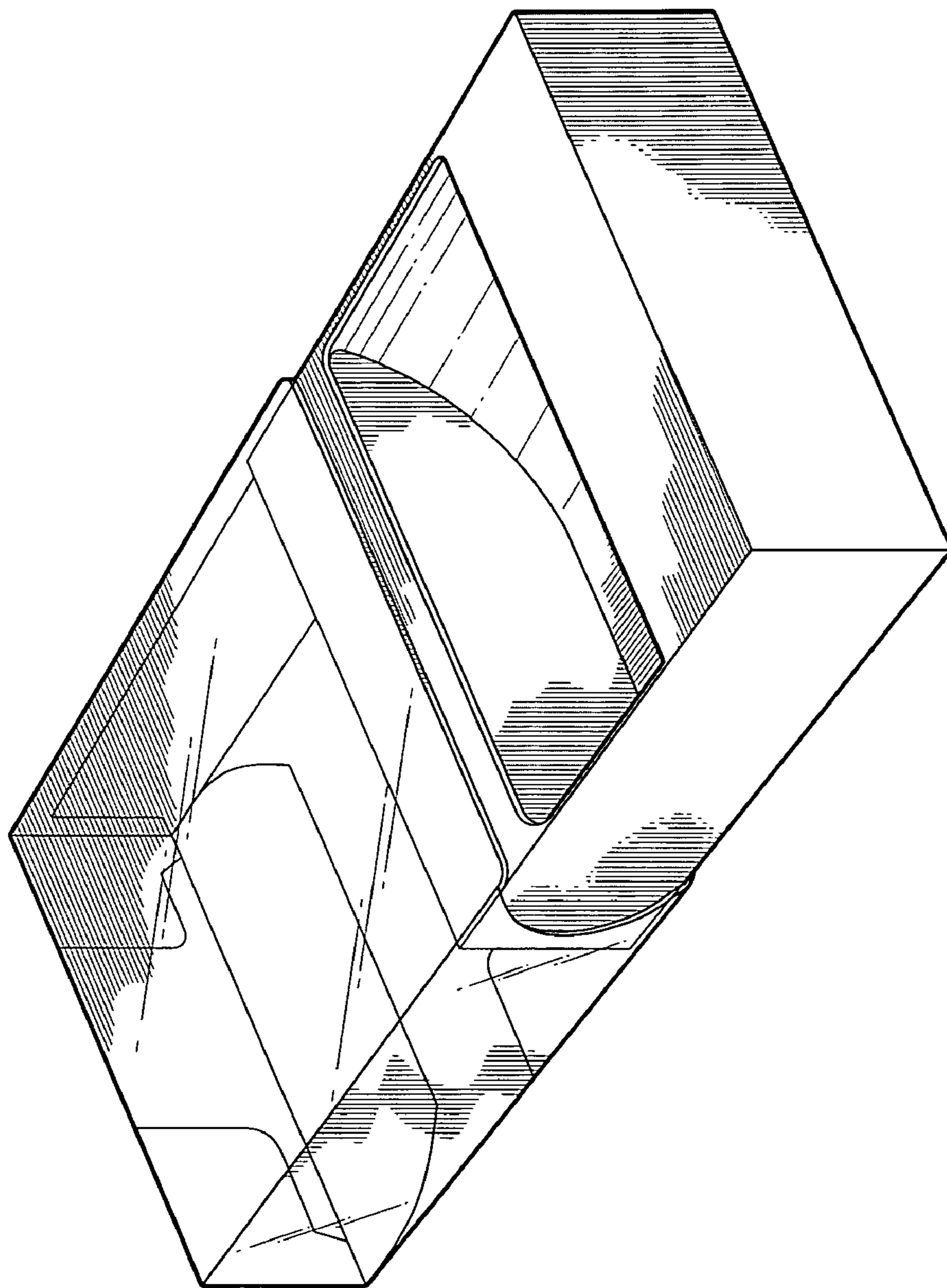


FIG. 8