

US00D574228S

(12) **United States Design Patent**
Johansson et al.

(10) **Patent No.:** **US D574,228 S**

(45) **Date of Patent:** **** Aug. 5, 2008**

(54) **PART OF A CLAMP FOR HOSES AND PIPES**

(75) Inventors: **Marcus Johansson**, Varnamo (SE);
Sven-Bertil Andersson, Hillerstorp (SE)

(73) Assignee: **ABA of Sweden AB**, Anderstorp (SE)

(**) Term: **14 Years**

(21) Appl. No.: **29/274,479**

(22) Filed: **Apr. 27, 2007**

(30) **Foreign Application Priority Data**

Oct. 31, 2006 (EM) 000614060

(51) **LOC (8) Cl.** **08-08**

(52) **U.S. Cl.** **D8/396**

(58) **Field of Classification Search** D8/354-356,
D8/371, 376, 394-396, 382, 377, 380; 24/16 R,
24/279, 278, 486, 489, 505, 275, 499, 518,
24/268; 248/49, 62, 74.1-74.4, 73, 58, 72;
285/406, 415

See application file for complete search history.

(56) **References Cited**

U.S. PATENT DOCUMENTS

D47,719 S * 8/1915 Fox D8/396
3,231,298 A * 1/1966 Tomb et al. 285/233
3,251,615 A * 5/1966 Short, III 285/112
4,373,235 A * 2/1983 Korgaonkar 24/285
4,561,678 A * 12/1985 Kunsman 285/39

5,380,052 A * 1/1995 Hendrickson 285/364
6,523,866 B2 * 2/2003 Lin 285/410
D484,592 S * 12/2003 Ryhman et al. D24/128
7,241,084 B2 * 7/2007 Hutton et al. 408/124

OTHER PUBLICATIONS

Clip Connector, ABA Automotive, www.abagroup.com.

* cited by examiner

Primary Examiner—Robert M. Spear

Assistant Examiner—John Windmuller

(74) *Attorney, Agent, or Firm*—Birch, Stewart, Kolasch & Birch, LLP

(57) **CLAIM**

The ornamental design for a part of a clamp for hoses and pipes, as shown and described.

DESCRIPTION

FIG. 1 is a perspective view of a part of a clamp for hoses and pipes showing our new design;

FIG. 2 is a bottom plan view thereof;

FIG. 3 is a rear elevation view thereof;

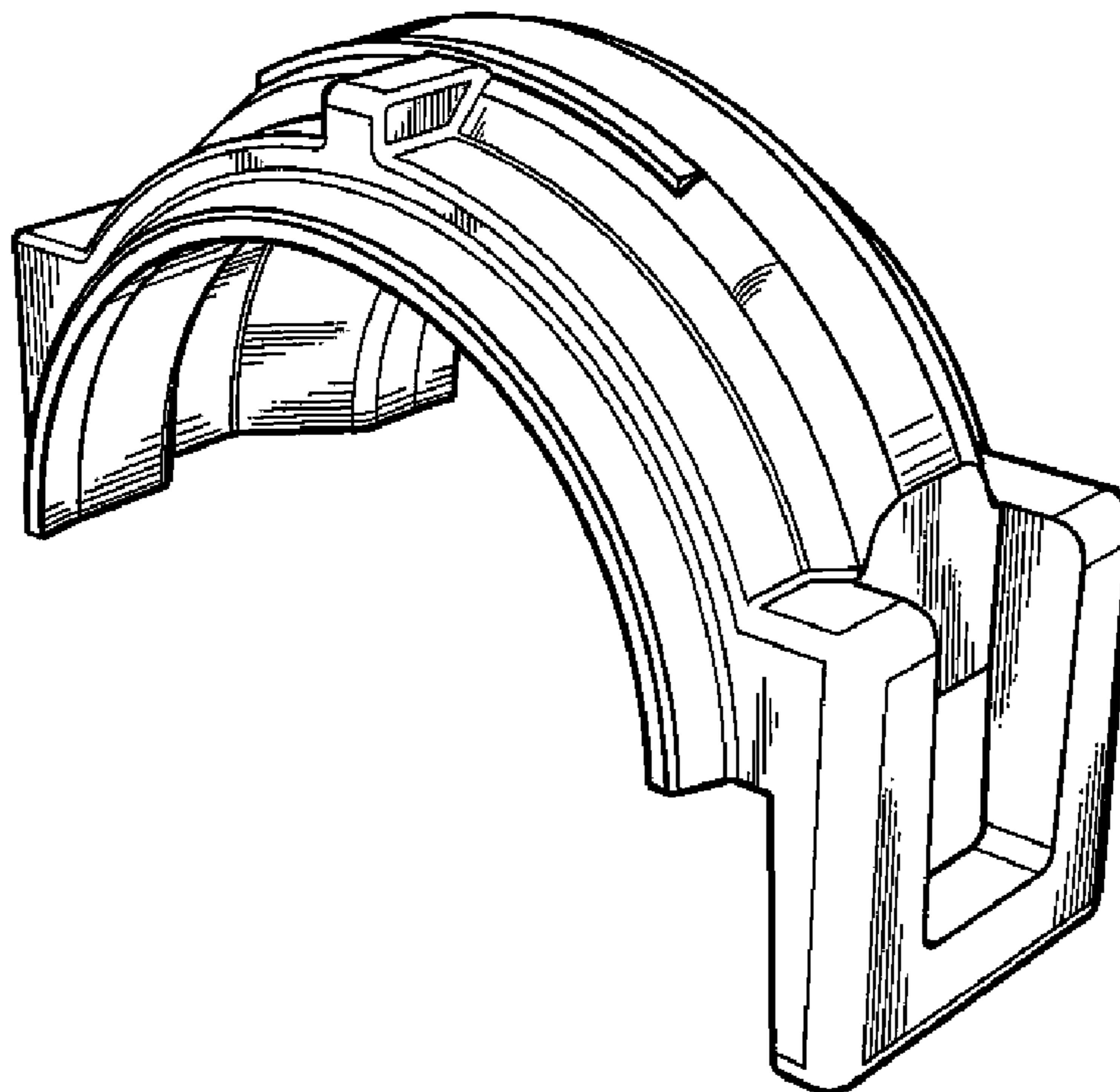
FIG. 4 is a top plan view thereof;

FIG. 5 is a front elevation view thereof;

FIG. 6 is a right side elevation view thereof; and,

FIG. 7 is a right side elevation view thereof.

1 Claim, 3 Drawing Sheets



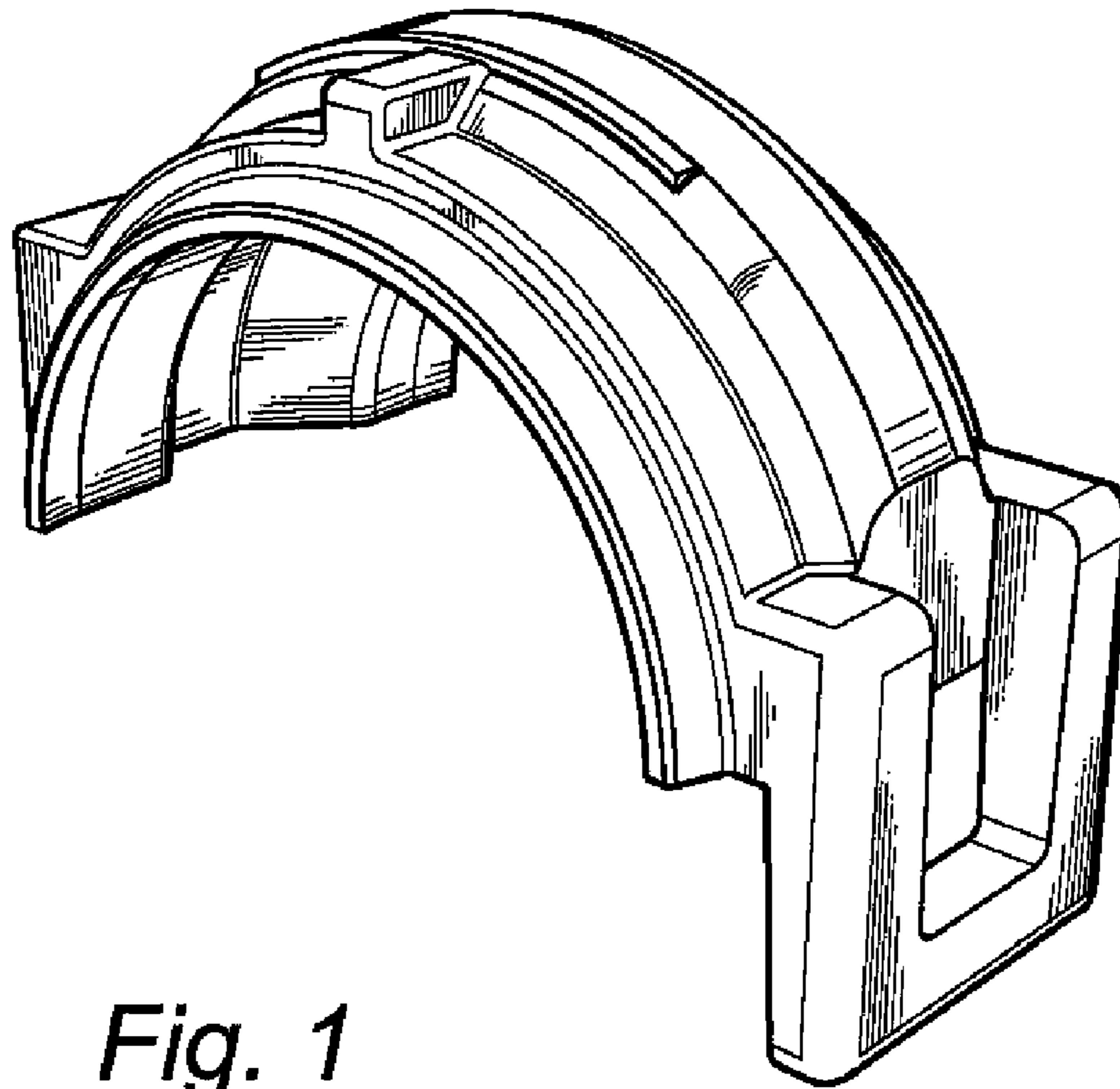


Fig. 1

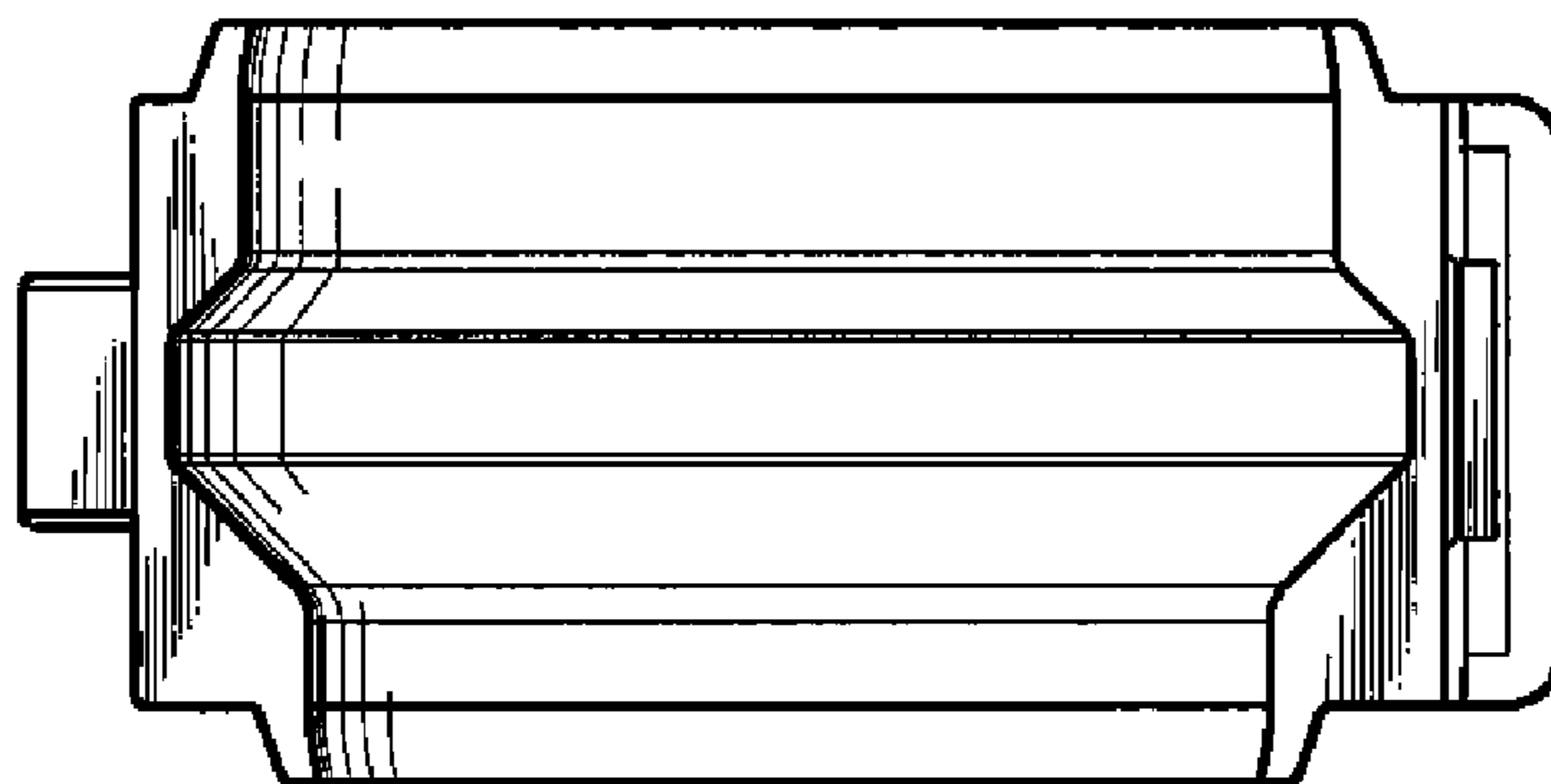


Fig. 2

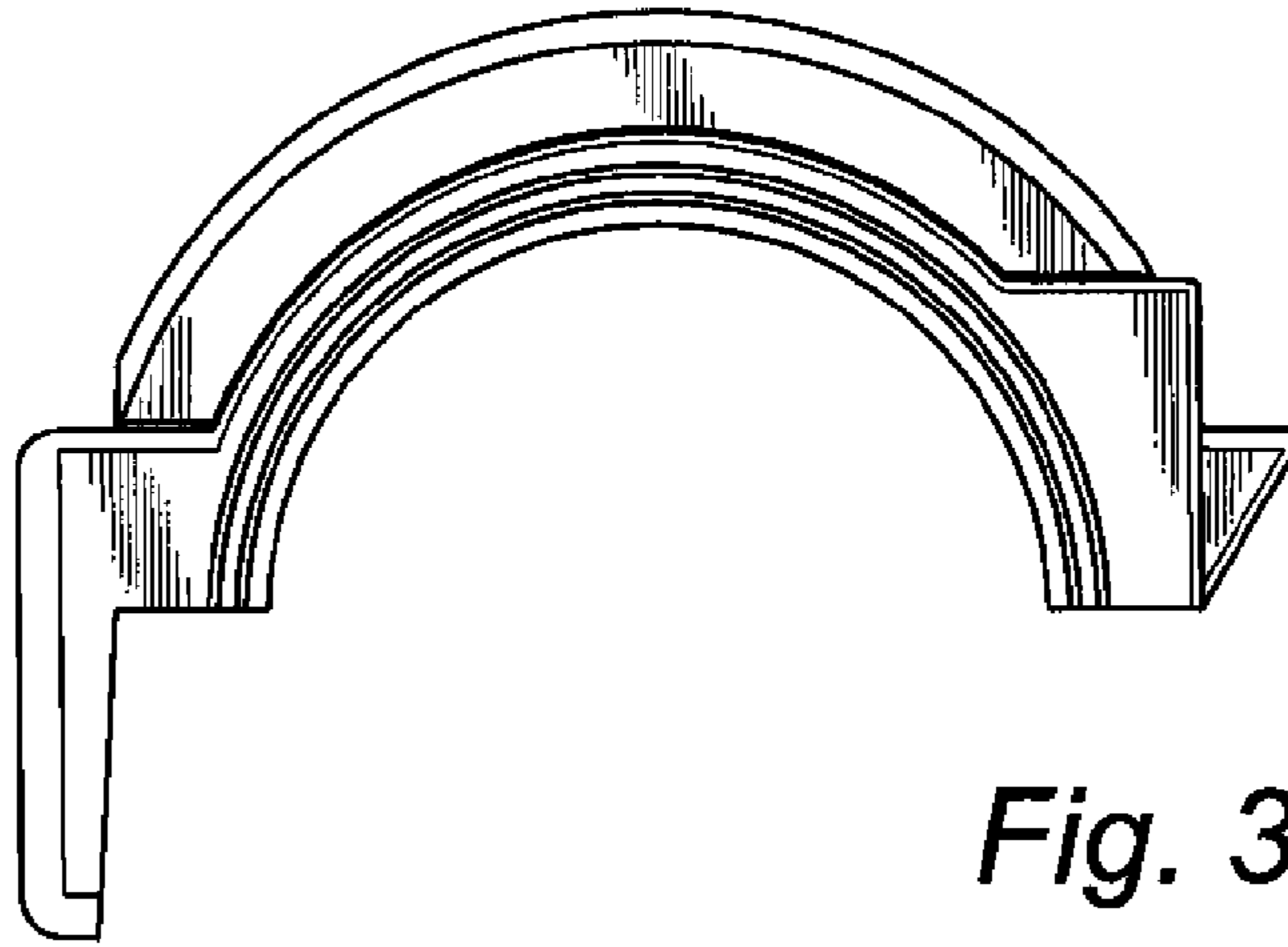


Fig. 3

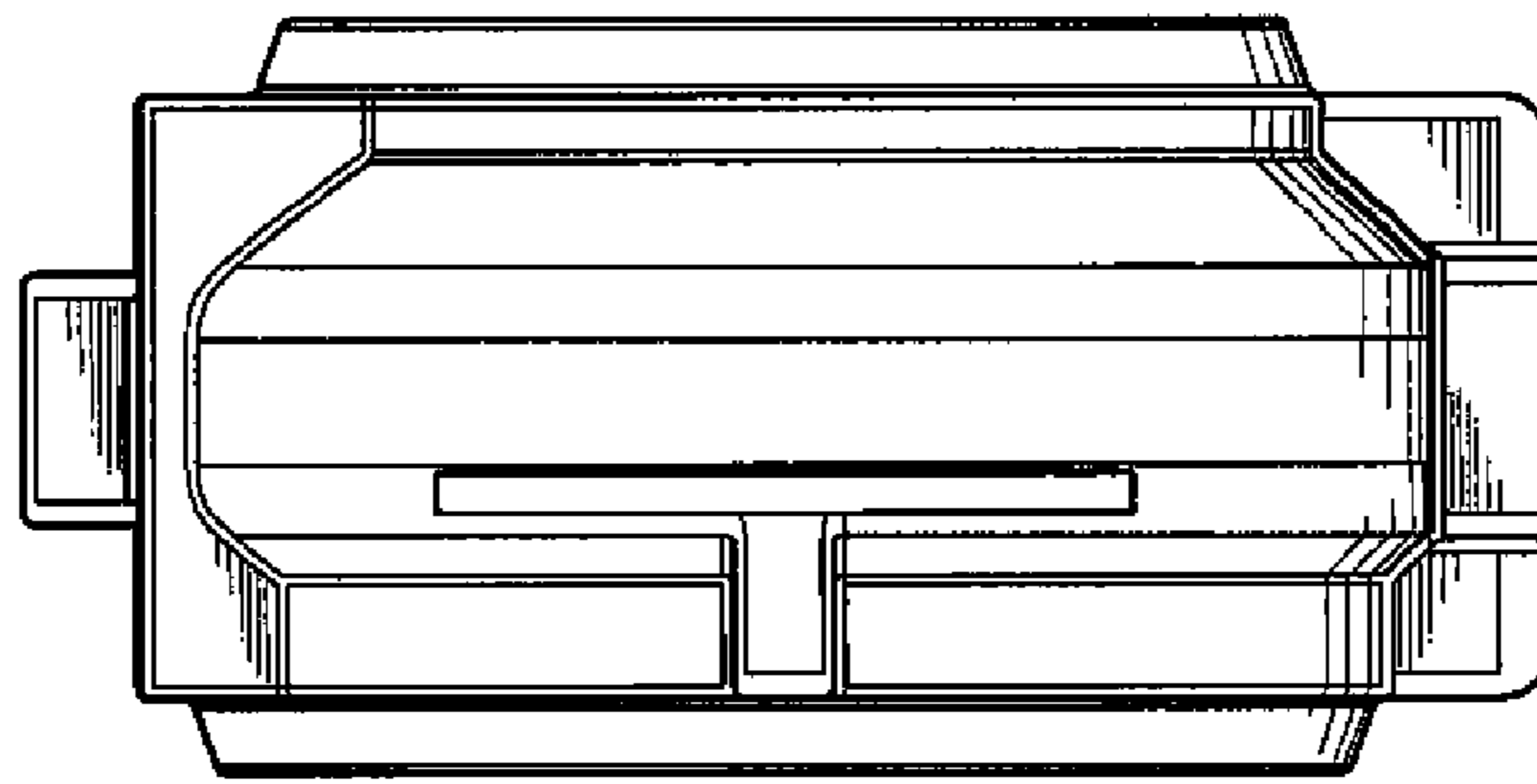


Fig. 4

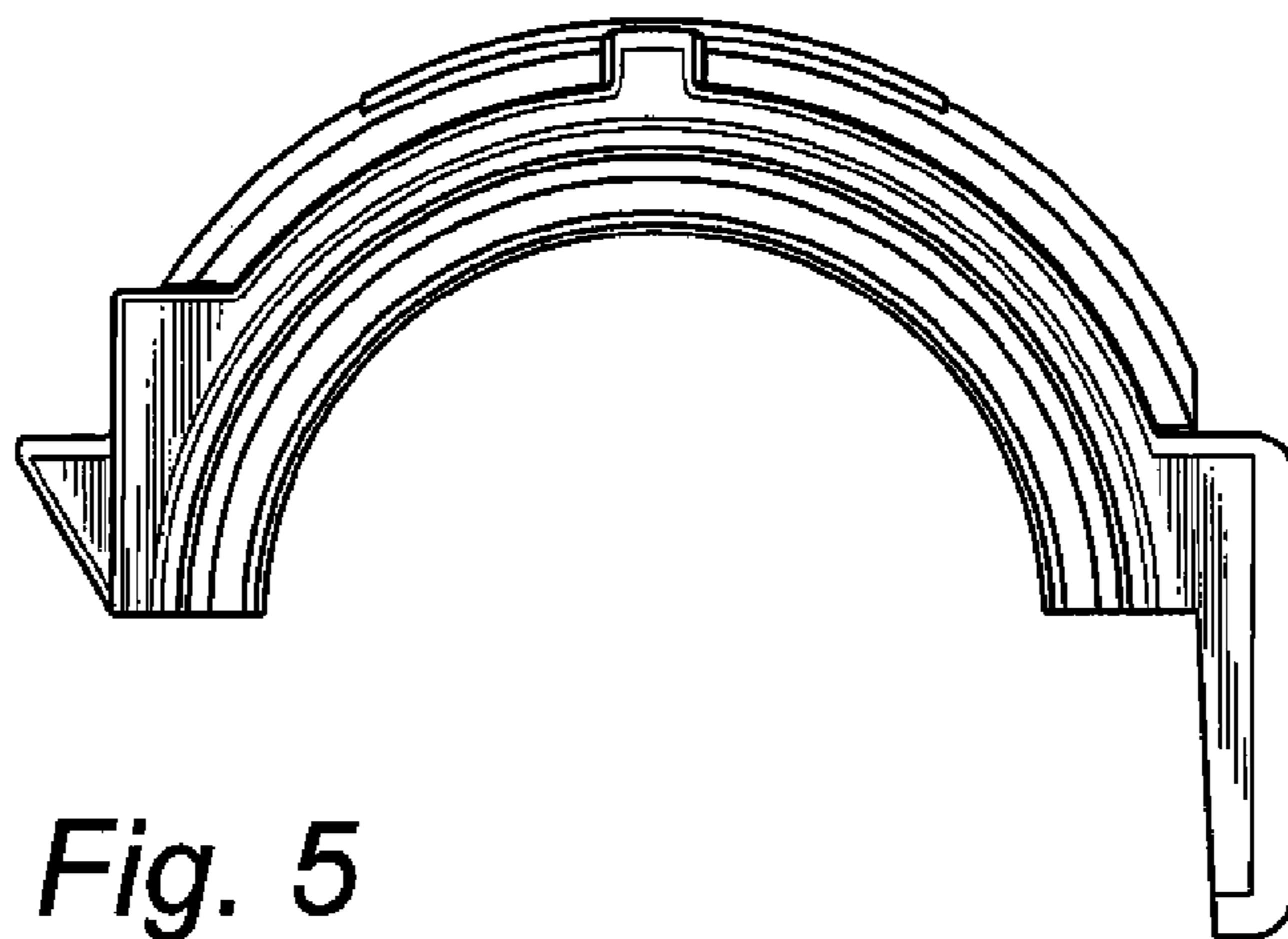


Fig. 5

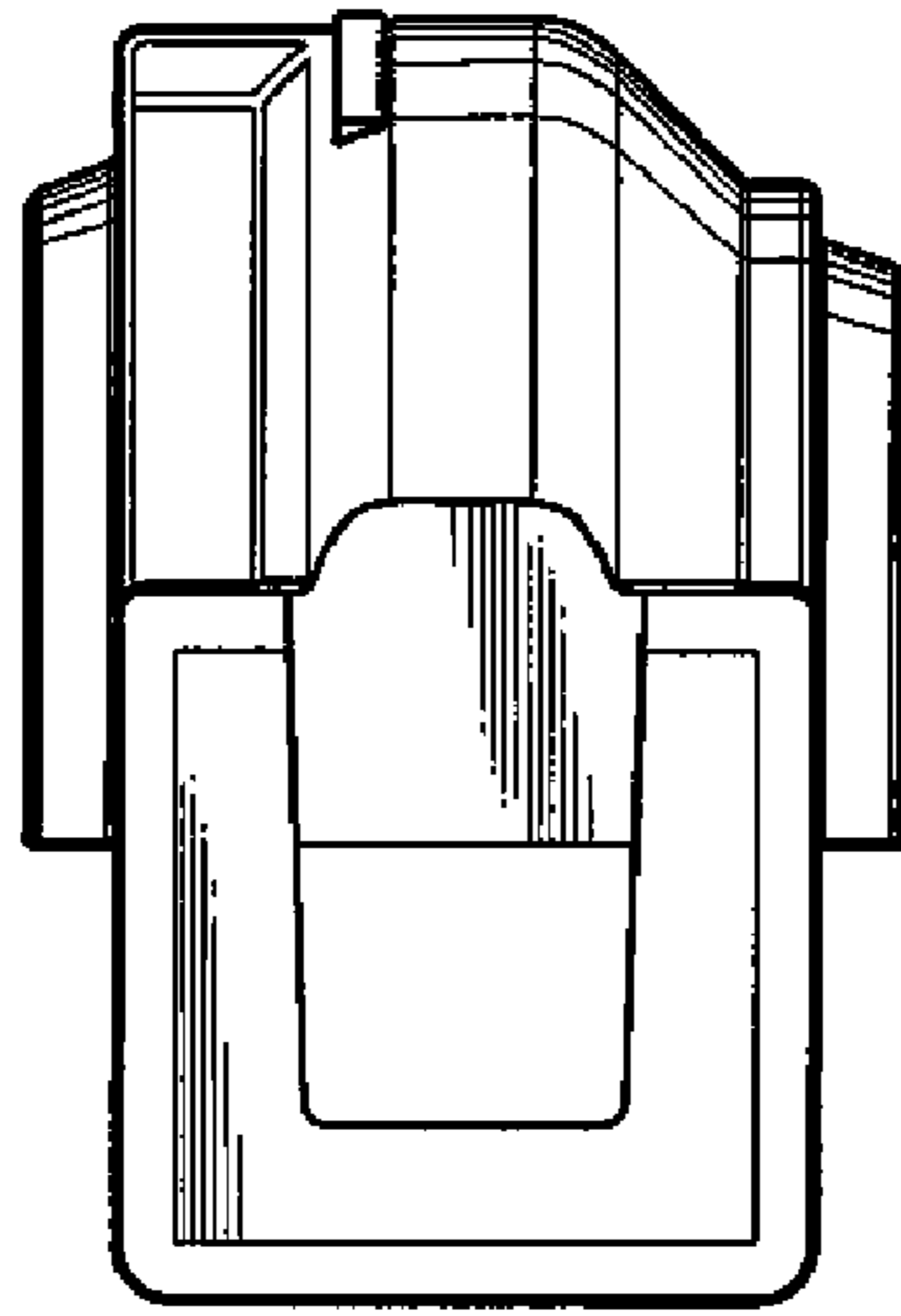


Fig. 6

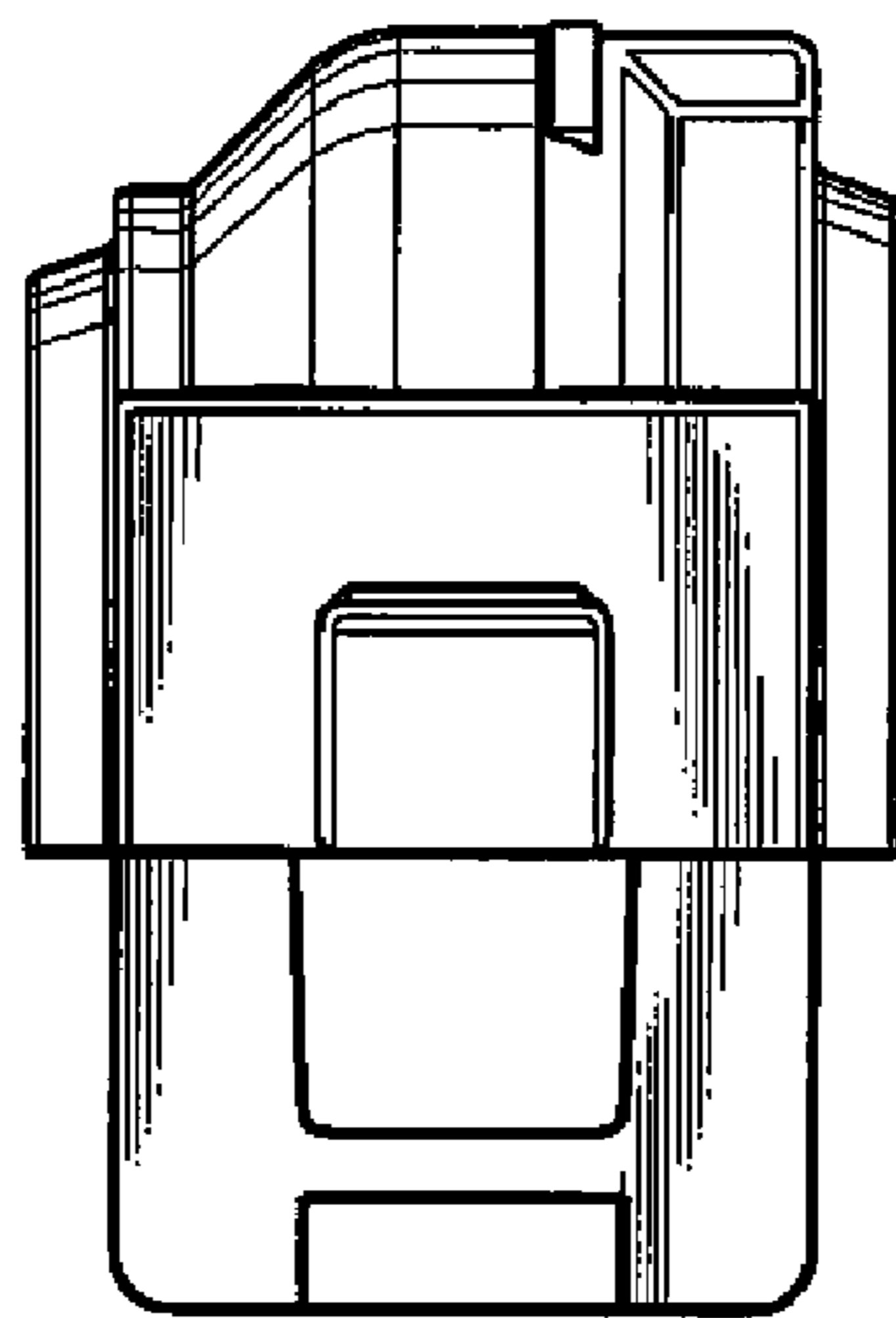


Fig. 7