



US00D574227S

(12) **United States Design Patent**
Andersson

(10) **Patent No.:** **US D574,227 S**

(45) **Date of Patent:** **** Aug. 5, 2008**

(54) **HOSE CLAMP**

(75) Inventor: **Lennart Andersson**, Bor (SE)

(73) Assignee: **ABA of Sweden AB**, Anderstorp (SE)

(**) Term: **14 Years**

(21) Appl. No.: **29/255,002**

(22) Filed: **Mar. 3, 2006**

(51) **LOC (8) Cl.** **08-08**

(52) **U.S. Cl.** **D8/396; D23/265**

(58) **Field of Classification Search** **D8/396;**
D23/265; 24/247 R, 279; 285/252, 253
See application file for complete search history.

(56) **References Cited**

U.S. PATENT DOCUMENTS

3,087,220	A *	4/1963	Tinsley	24/274 R
4,286,361	A *	9/1981	MacKenzie	24/276
D289,141	S *	4/1987	Tunno et al.	D8/396
4,887,334	A *	12/1989	Jansen et al.	24/23 R
5,315,742	A *	5/1994	Fay	24/274 R
5,410,781	A *	5/1995	Anjos et al.	24/274 R
5,956,817	A *	9/1999	Chen	24/274 R

6,000,104	A *	12/1999	Mann	24/274 R
6,449,813	B2 *	9/2002	Keller et al.	24/274 R

* cited by examiner

Primary Examiner—Robert M. Spear

Assistant Examiner—John Windmuller

(74) *Attorney, Agent, or Firm*—Birch, Stewart, Kolasch & Birch, LLP

(57) **CLAIM**

The ornamental design for a hose clamp, as shown.

DESCRIPTION

FIG. 1 is a top perspective view of a hose clamp showing my new design;

FIG. 2 is a bottom perspective view thereof;

FIG. 3 is a right side view thereof;

FIG. 4 is a front view thereof;

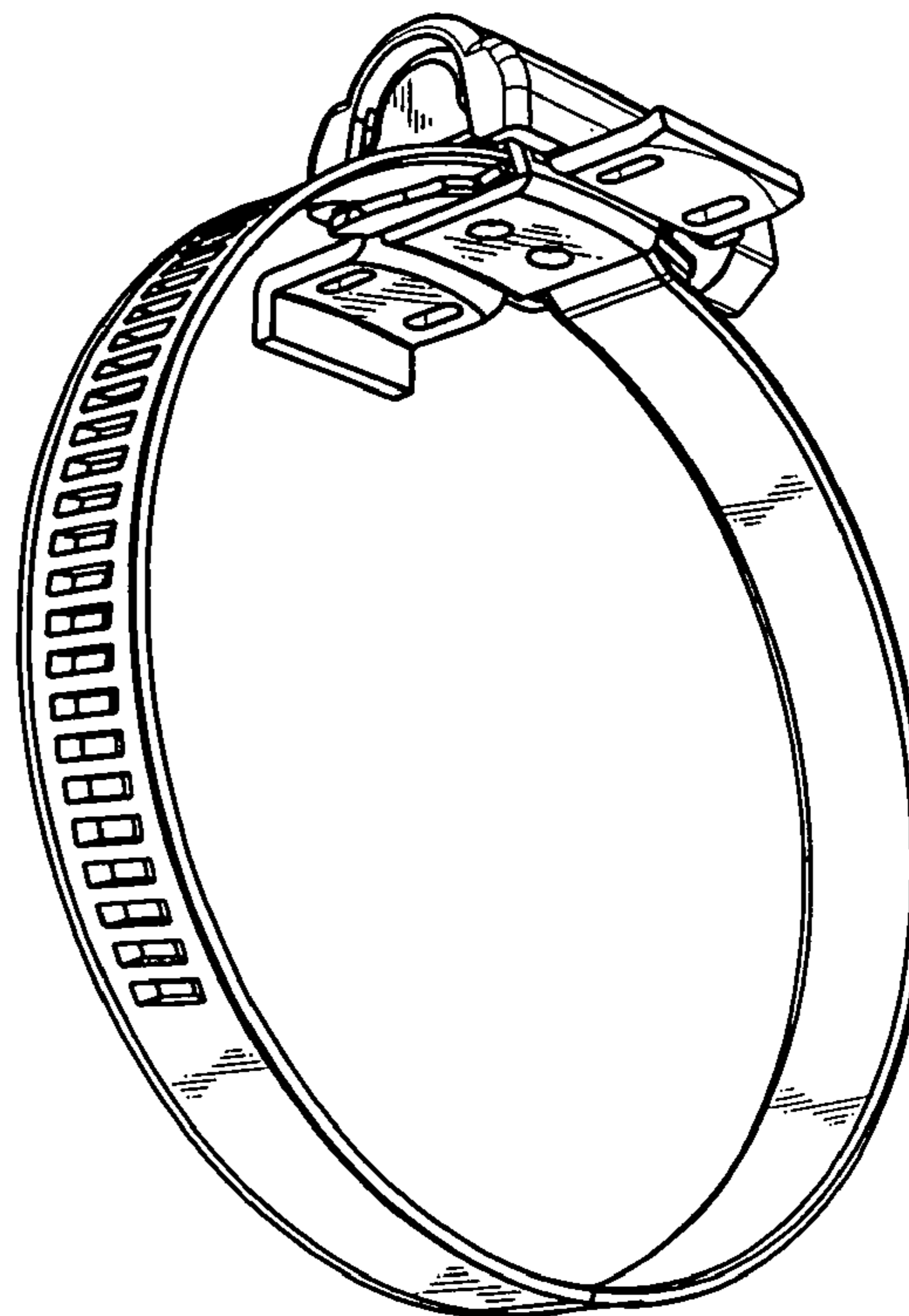
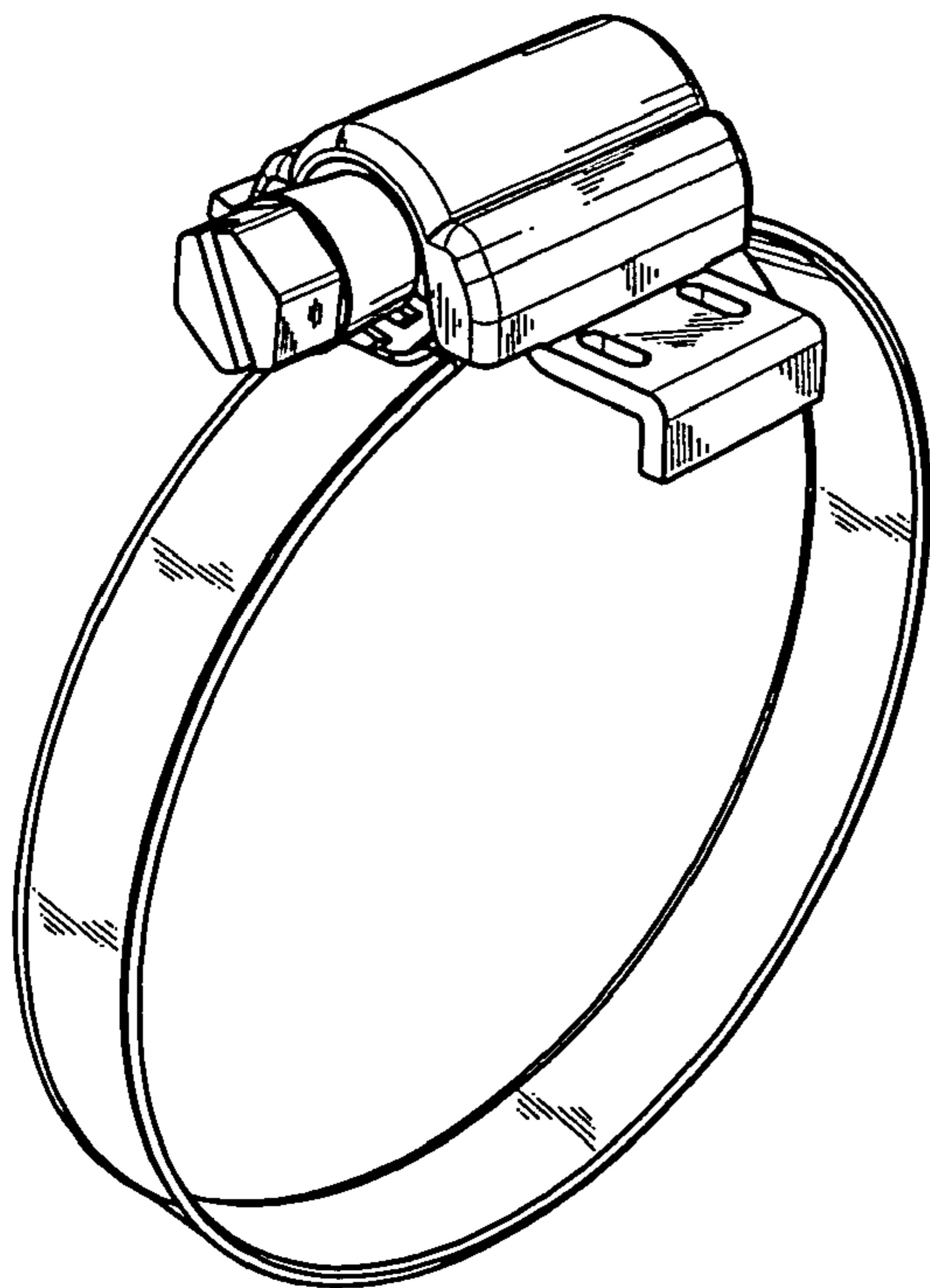
FIG. 5 is a bottom plan view thereof

FIG. 6 is a top plan view thereof;

FIG. 7 is a rear view thereof; and,

FIG. 8 is a left side view thereof.

1 Claim, 3 Drawing Sheets



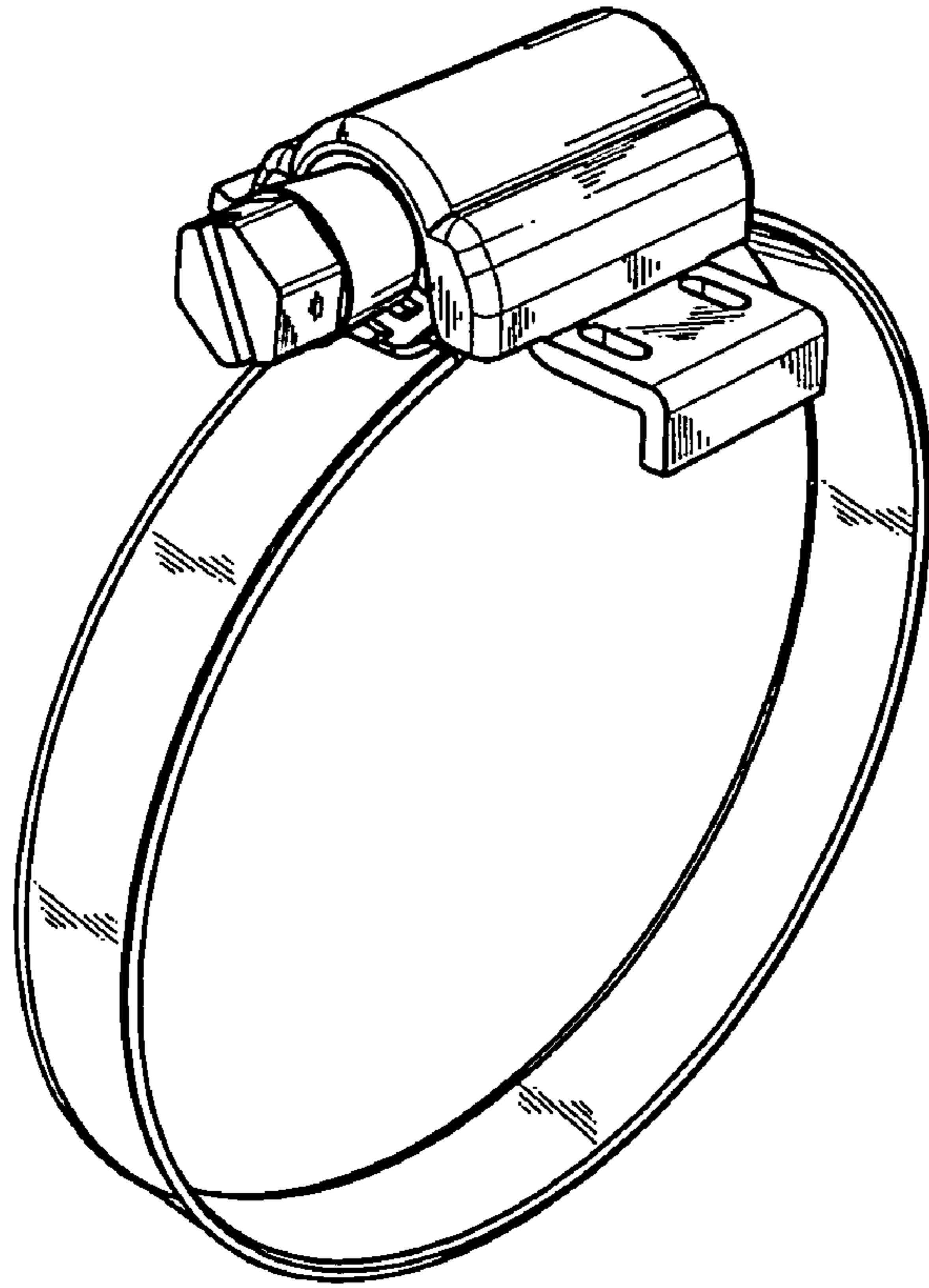


Fig. 1

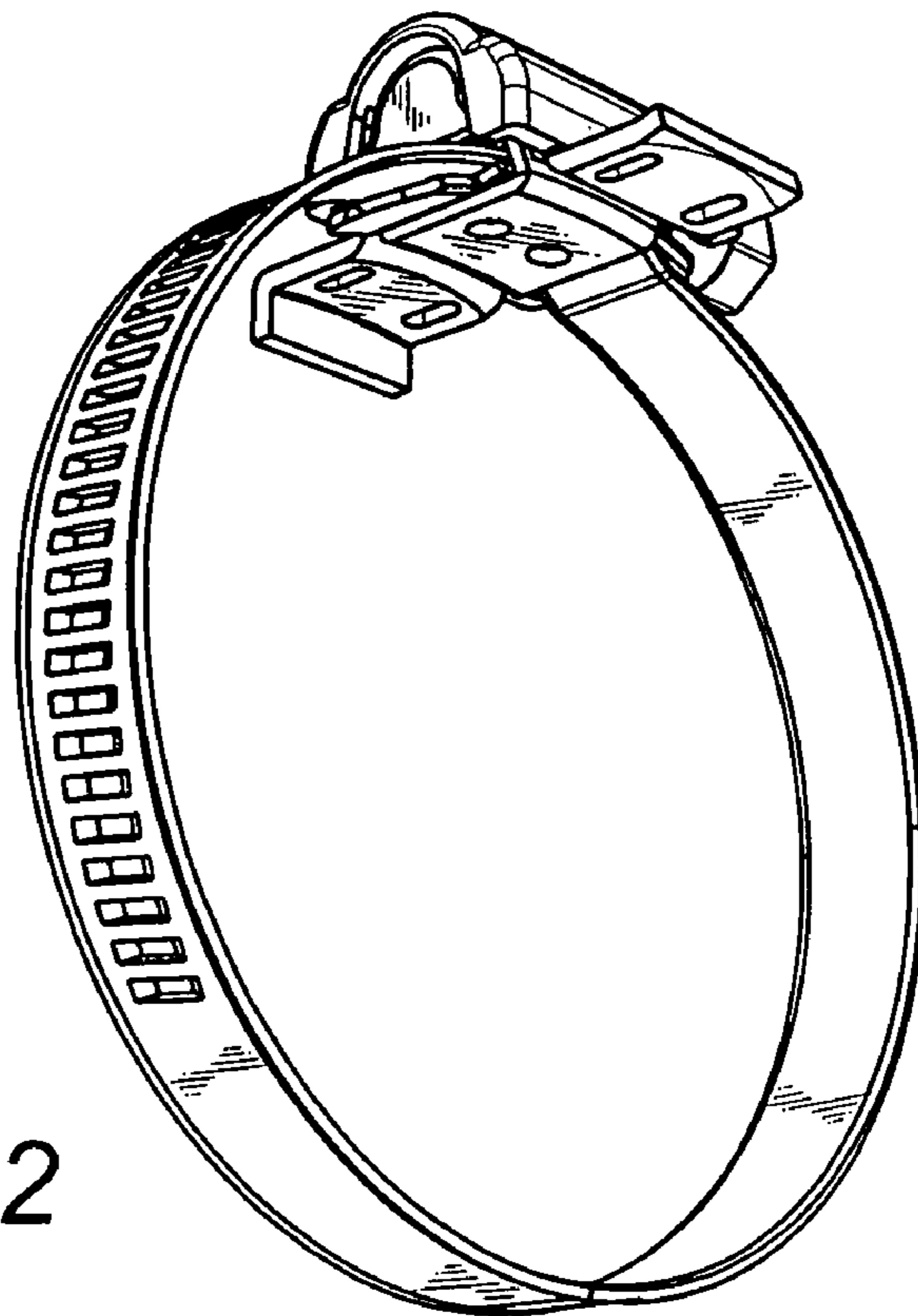


Fig. 2

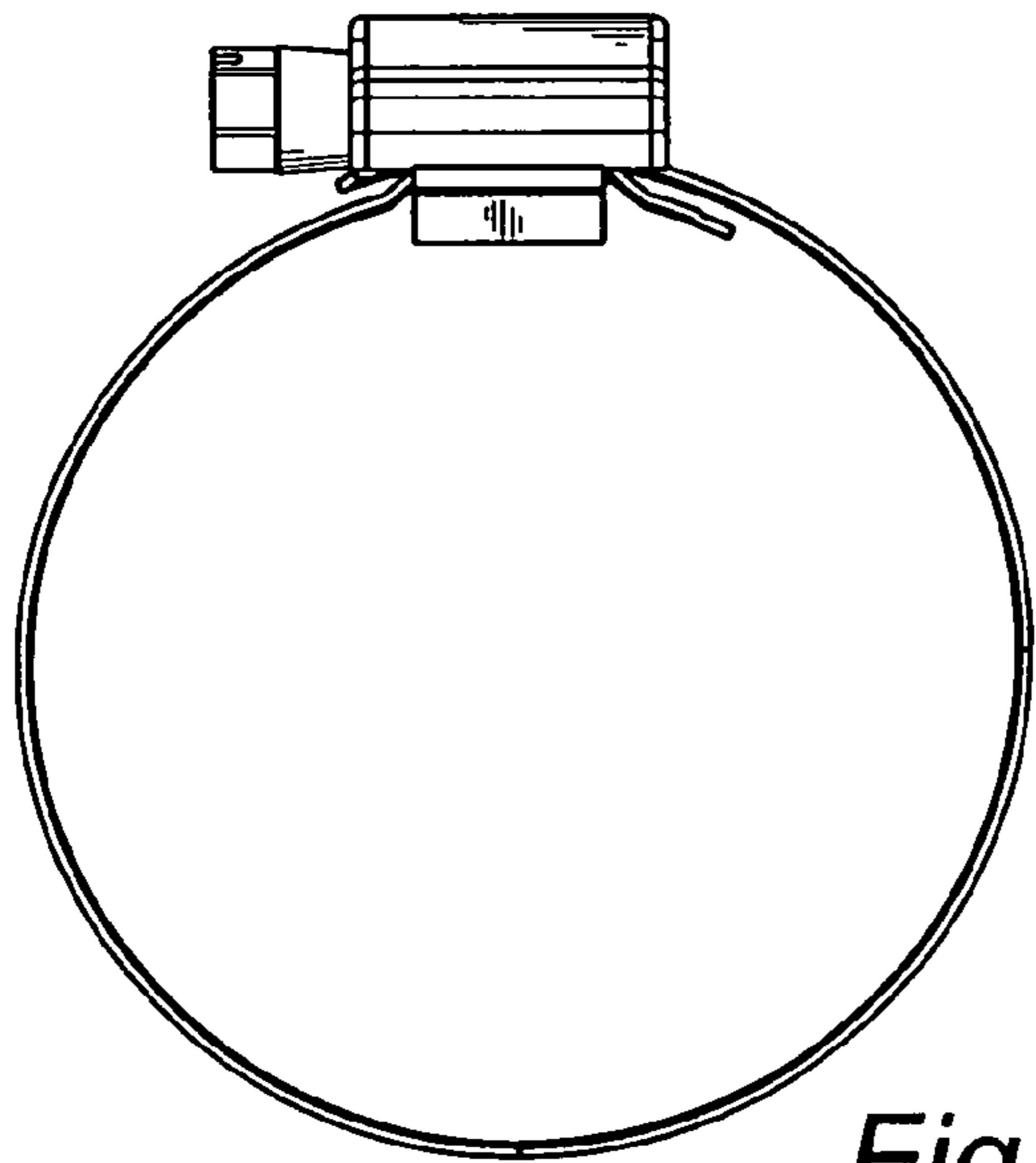


Fig. 3

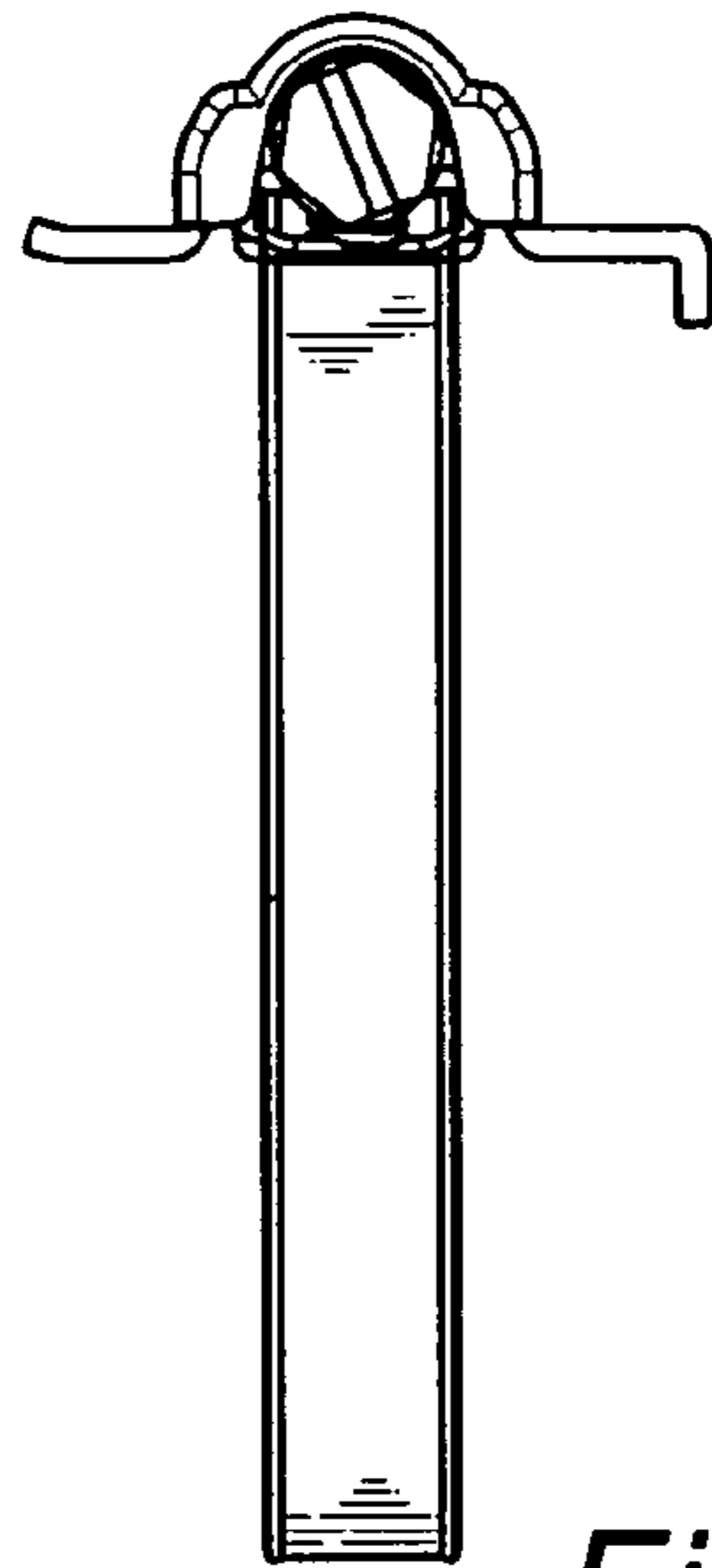


Fig. 4

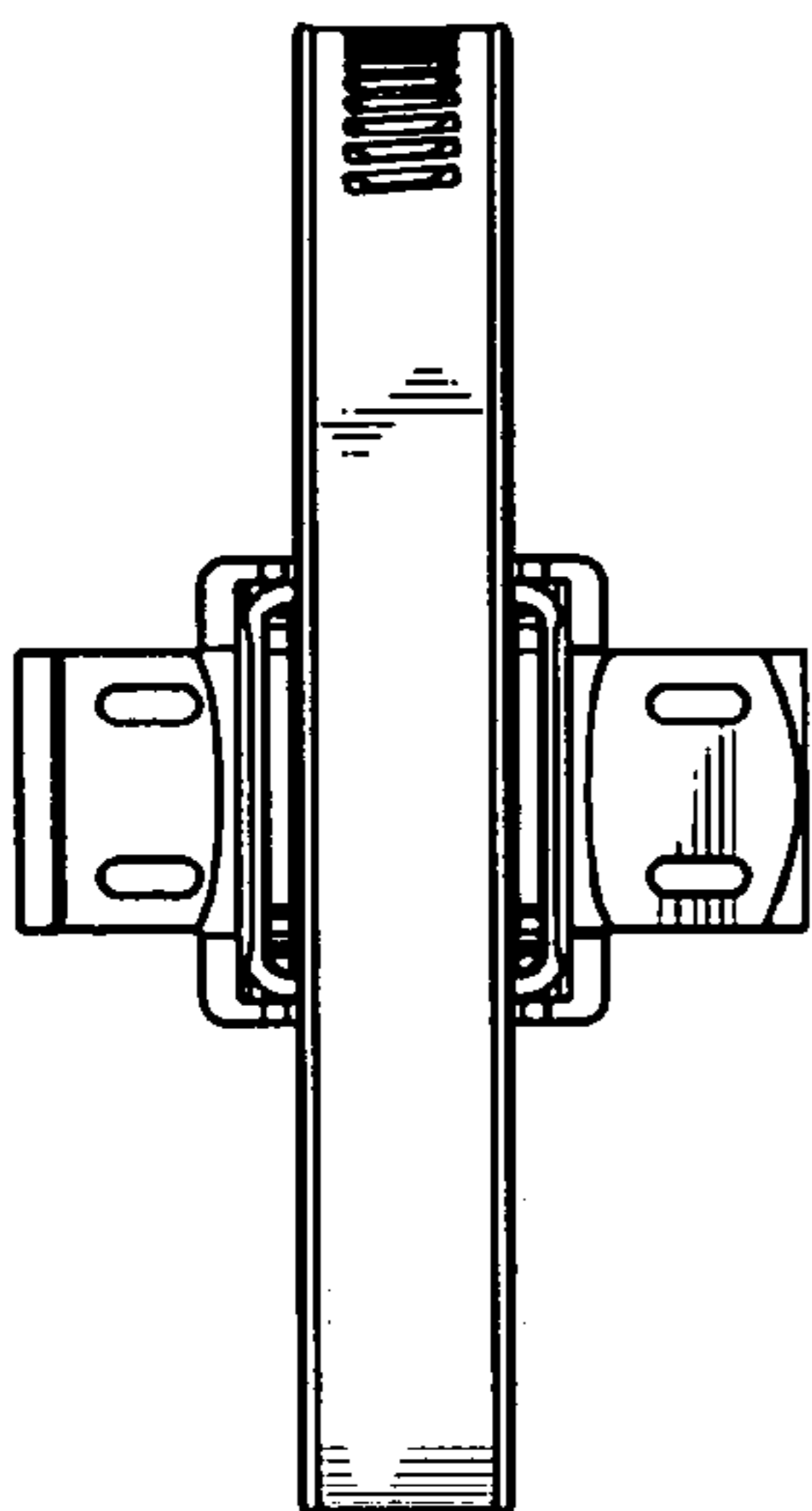


Fig. 5

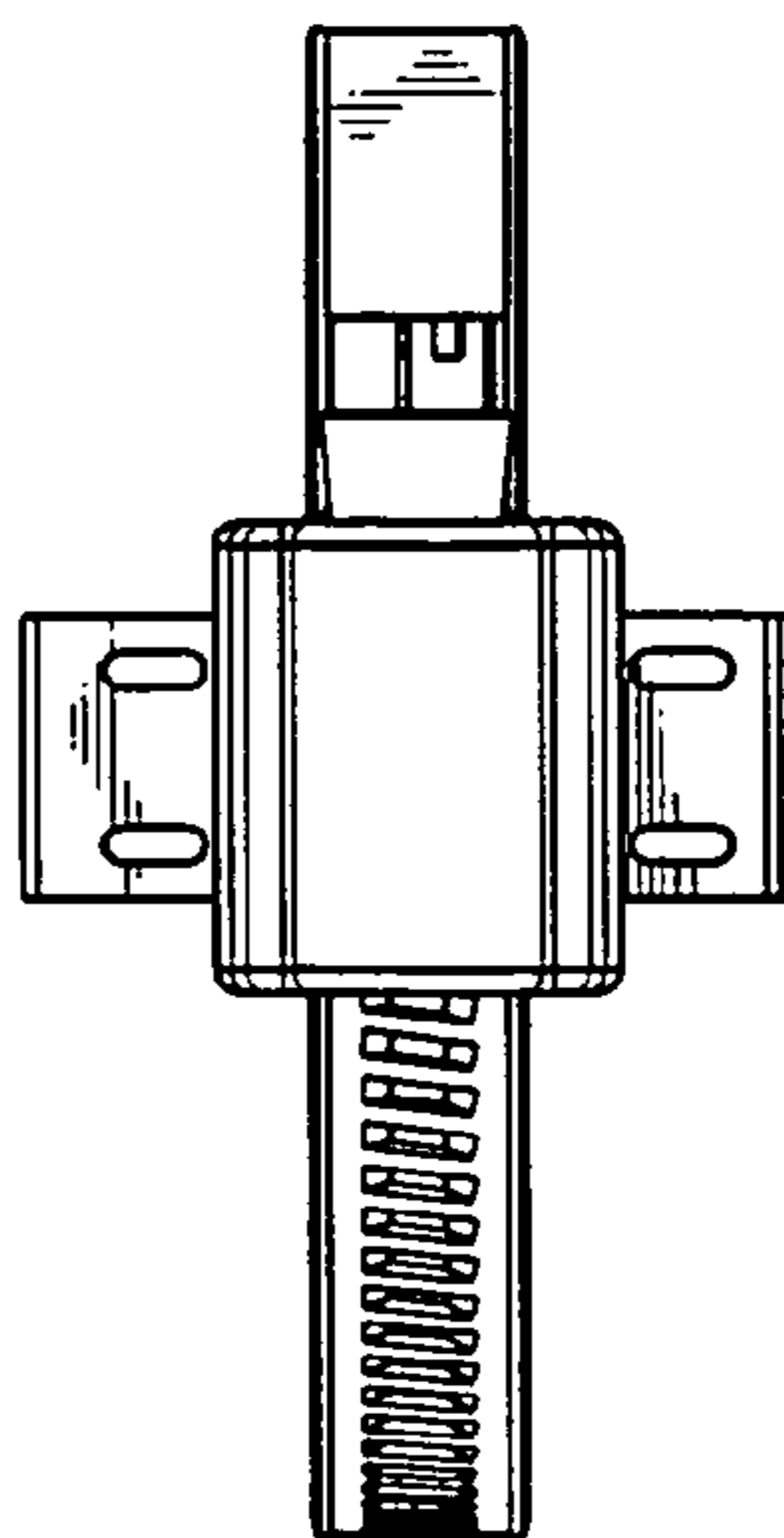


Fig. 6

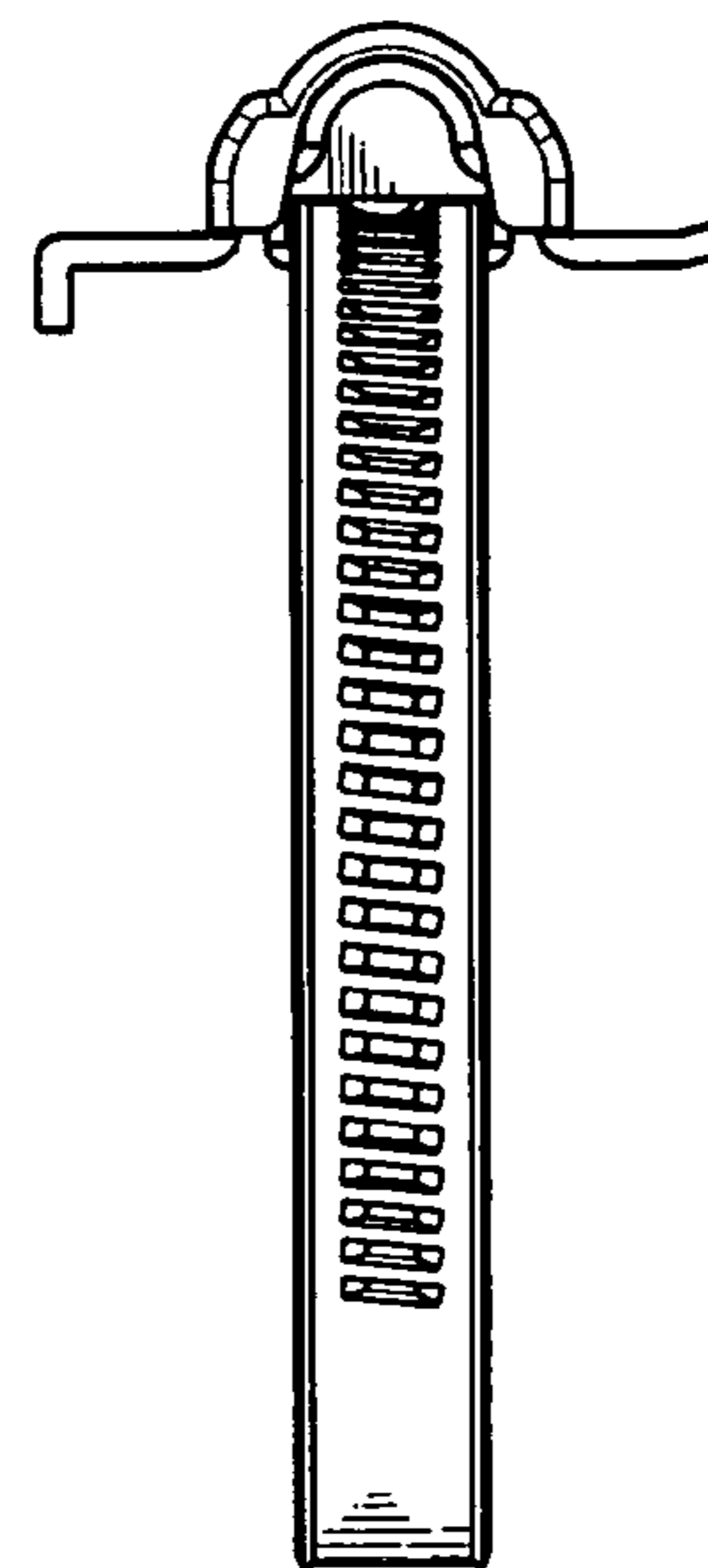


Fig. 7

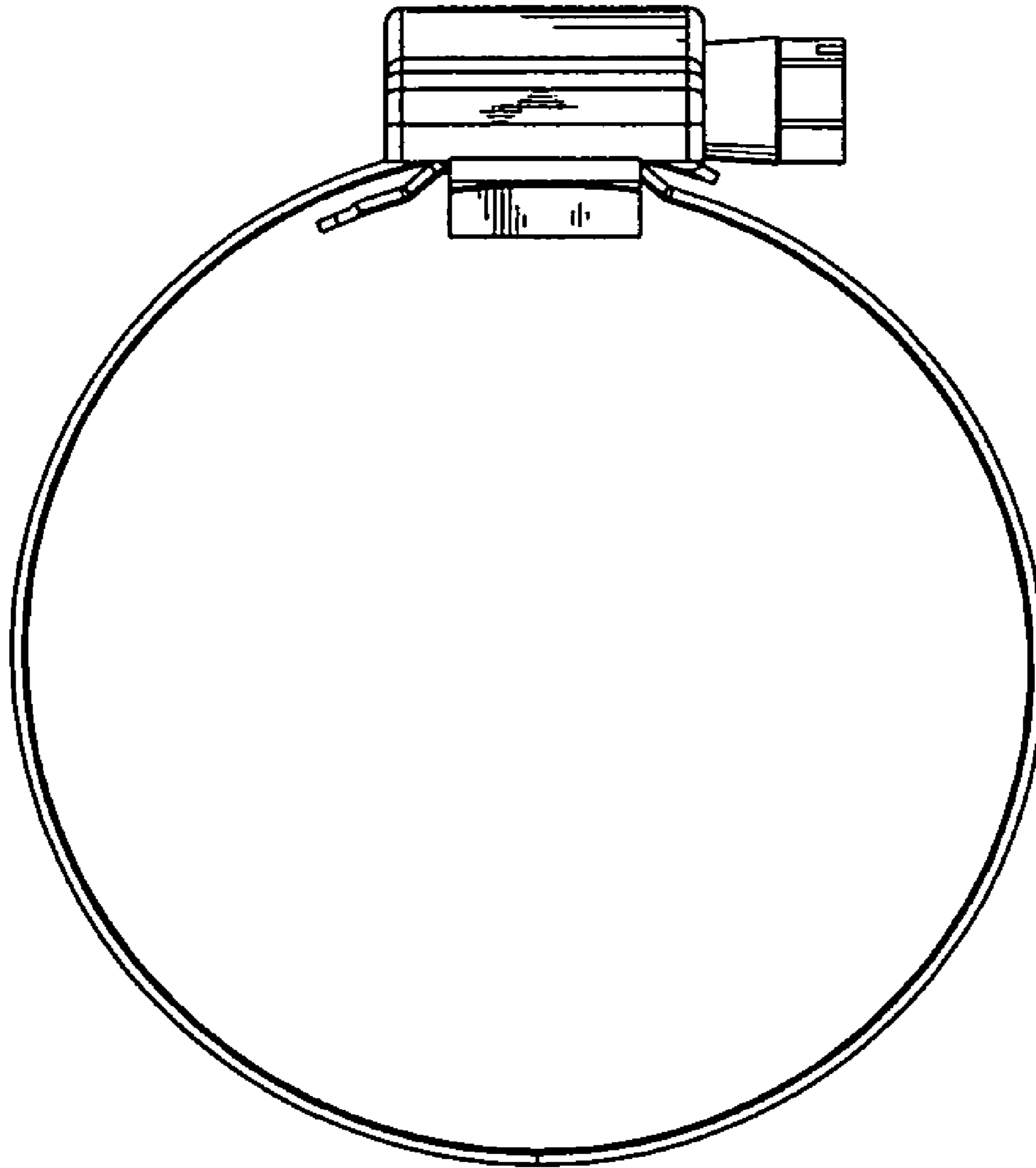


Fig. 8