



US00D574224S

(12) **United States Design Patent**
Zhang

(10) **Patent No.:** **US D574,224 S**

(45) **Date of Patent:** **** Aug. 5, 2008**

(54) **DOUBLE HOOK**

(75) Inventor: **Zhukai Zhang**, Chicago, IL (US)

(73) Assignee: **Liberty Hardware Mfg. Corp.**,
Winston-Salem, NC (US)

(**) Term: **14 Years**

(21) Appl. No.: **29/286,527**

(22) Filed: **May 10, 2007**

(51) **LOC (8) Cl.** **08-05**

(52) **U.S. Cl.** **D8/372**

(58) **Field of Classification Search** D8/367,
D8/371, 372, 373; D6/323, 534, 569; 248/214,
248/215, 262, 301, 304, 547

See application file for complete search history.

(56) **References Cited**

U.S. PATENT DOCUMENTS

D214,383	S	*	6/1969	Johnson	D8/371
D227,522	S	*	7/1973	Burt	D8/373
4,411,401	A	*	10/1983	Anderson	248/262
D272,023	S	*	1/1984	Mayer et al.	D6/569
D299,423	S	*	1/1989	Davis	D8/373
D304,655	S	*	11/1989	Pool	D6/323
4,880,200	A	*	11/1989	Champagne et al.	248/547

D305,431	S	*	1/1990	Adams	D8/367
D310,018	S	*	8/1990	Landrum	D8/373
D312,960	S	*	12/1990	Embree et al.	D8/367
D328,417	S	*	8/1992	Korpijaakko	D8/367
D492,869	S	*	7/2004	Henry	D6/534
D550,544	S	*	9/2007	Snell	D8/372
D557,120	S	*	12/2007	Snell	D8/372
2006/0022098	A1	*	2/2006	De Backer	248/215

* cited by examiner

Primary Examiner—T. Chase Nelson

Assistant Examiner—Barbara B Lohr

(74) *Attorney, Agent, or Firm*—Edgar A. Zarins; Lloyd D. Doigan

(57) **CLAIM**

The ornamental design for a double hook, as shown and described.

DESCRIPTION

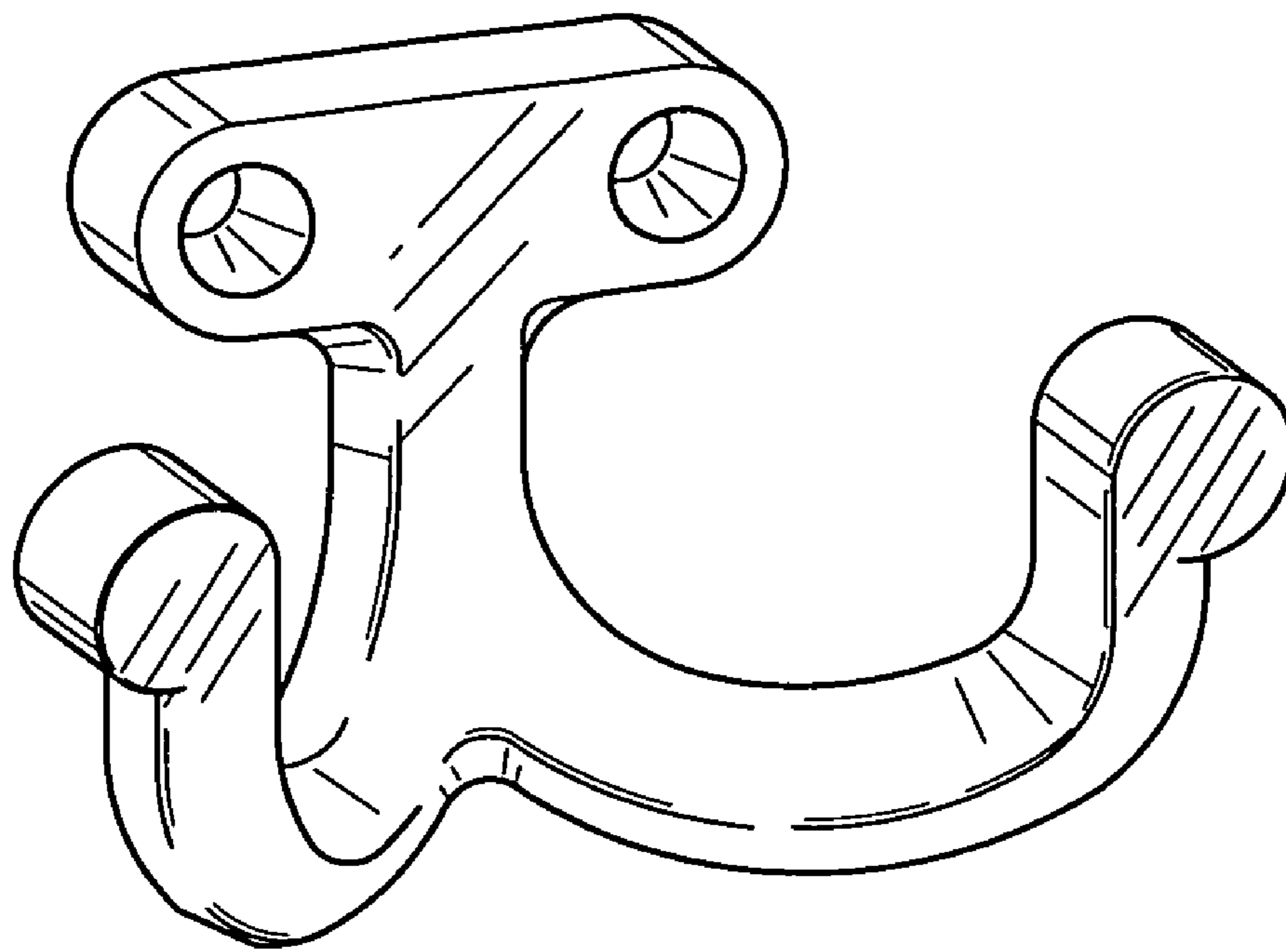
FIG. 1 is a perspective view of a double hook showing my new design;

FIG. 2 is a front elevational view thereof;

FIG. 3 is a top plan view thereof; and,

FIG. 4 is a left side view thereof, the opposite side being a mirror image of the side shown.

1 Claim, 1 Drawing Sheet



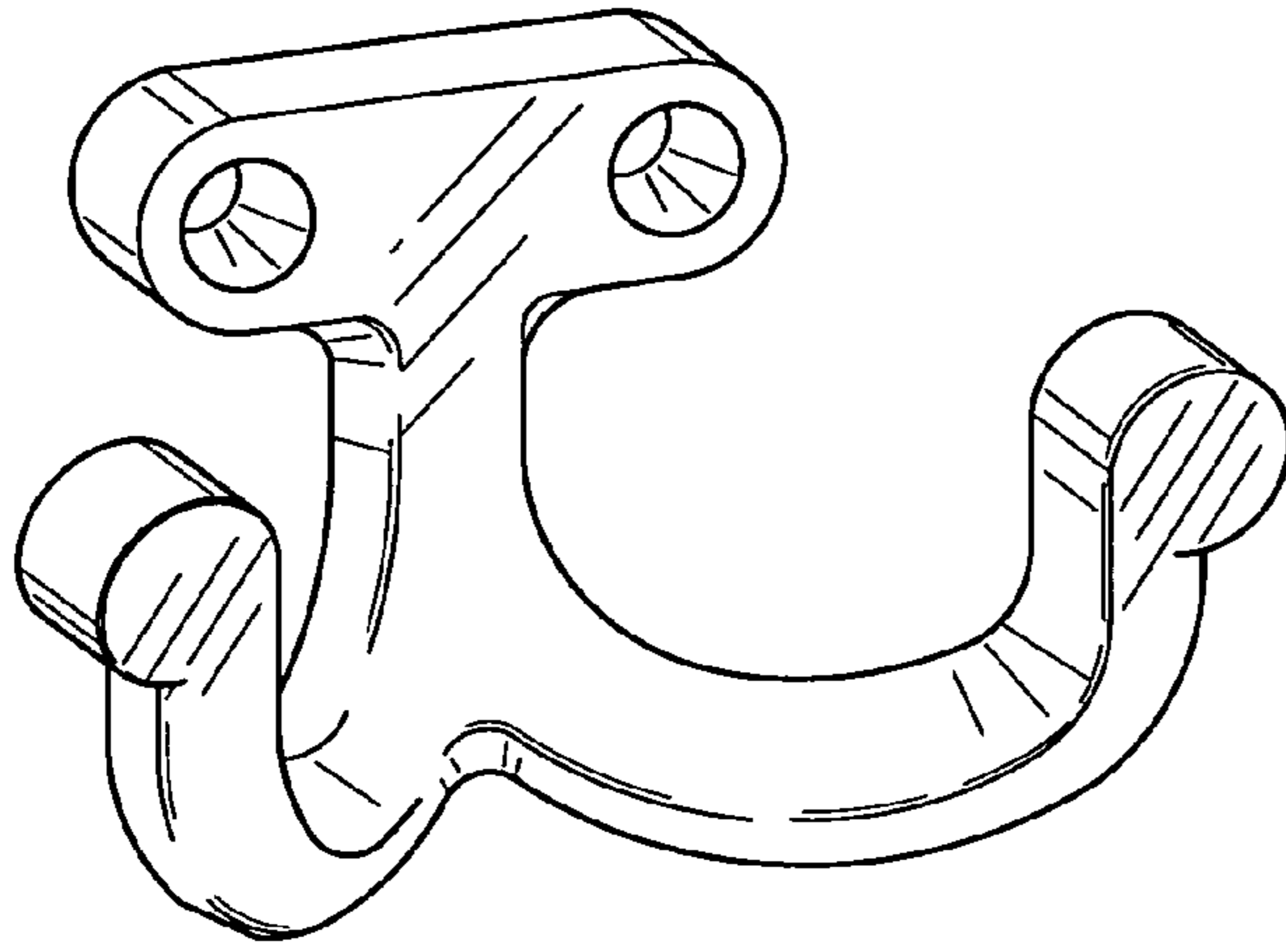


Fig-1

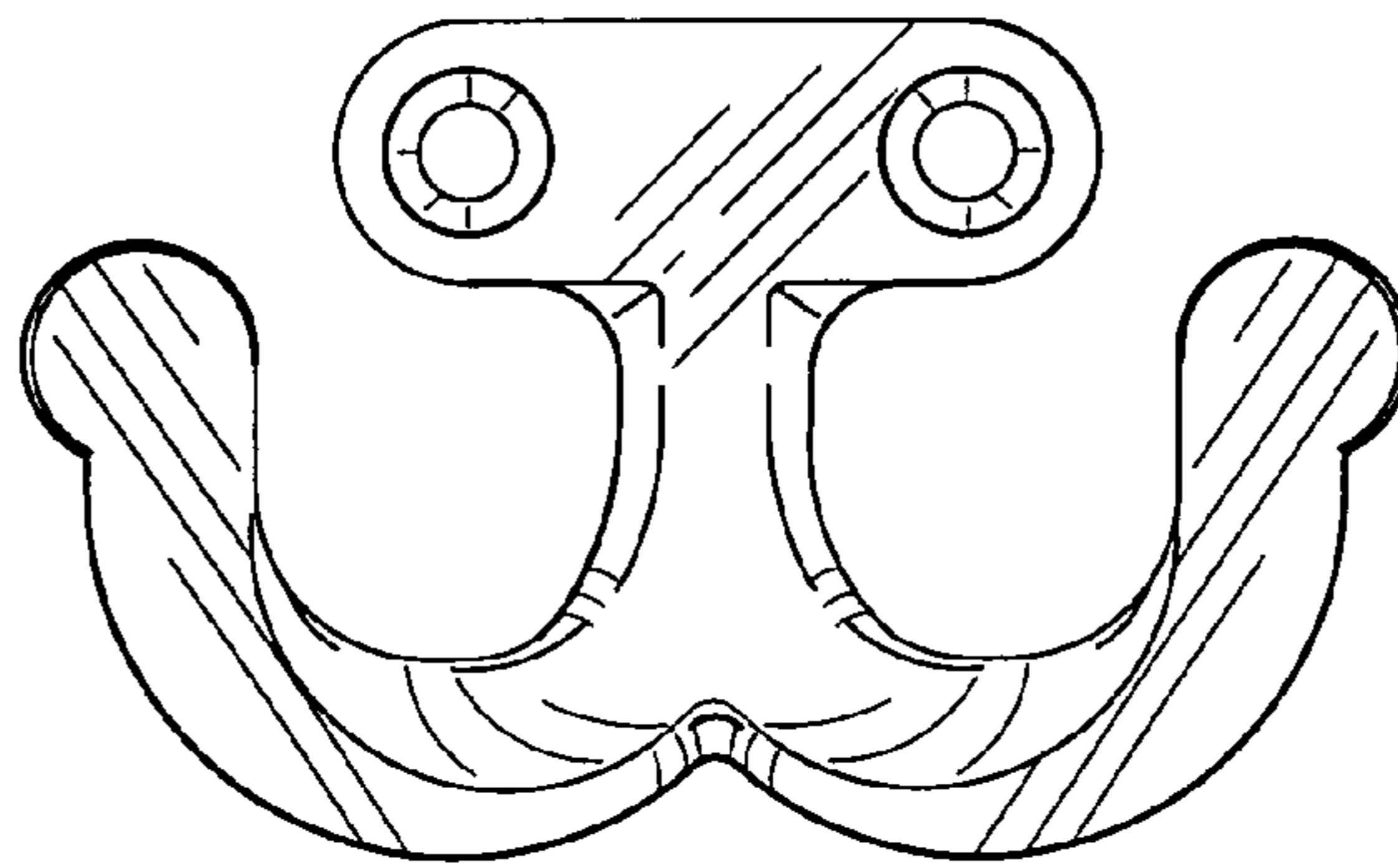


Fig-2

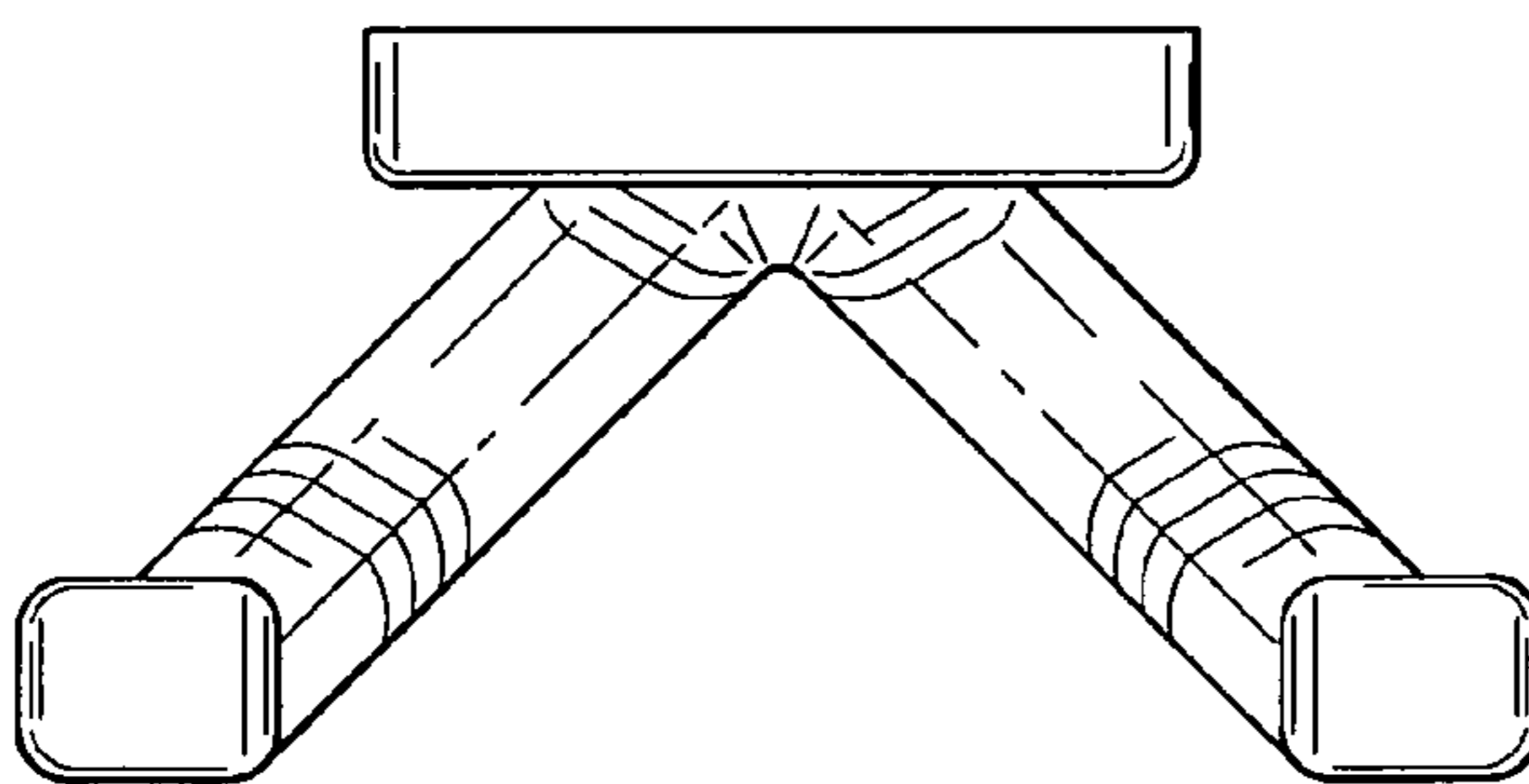


Fig-3

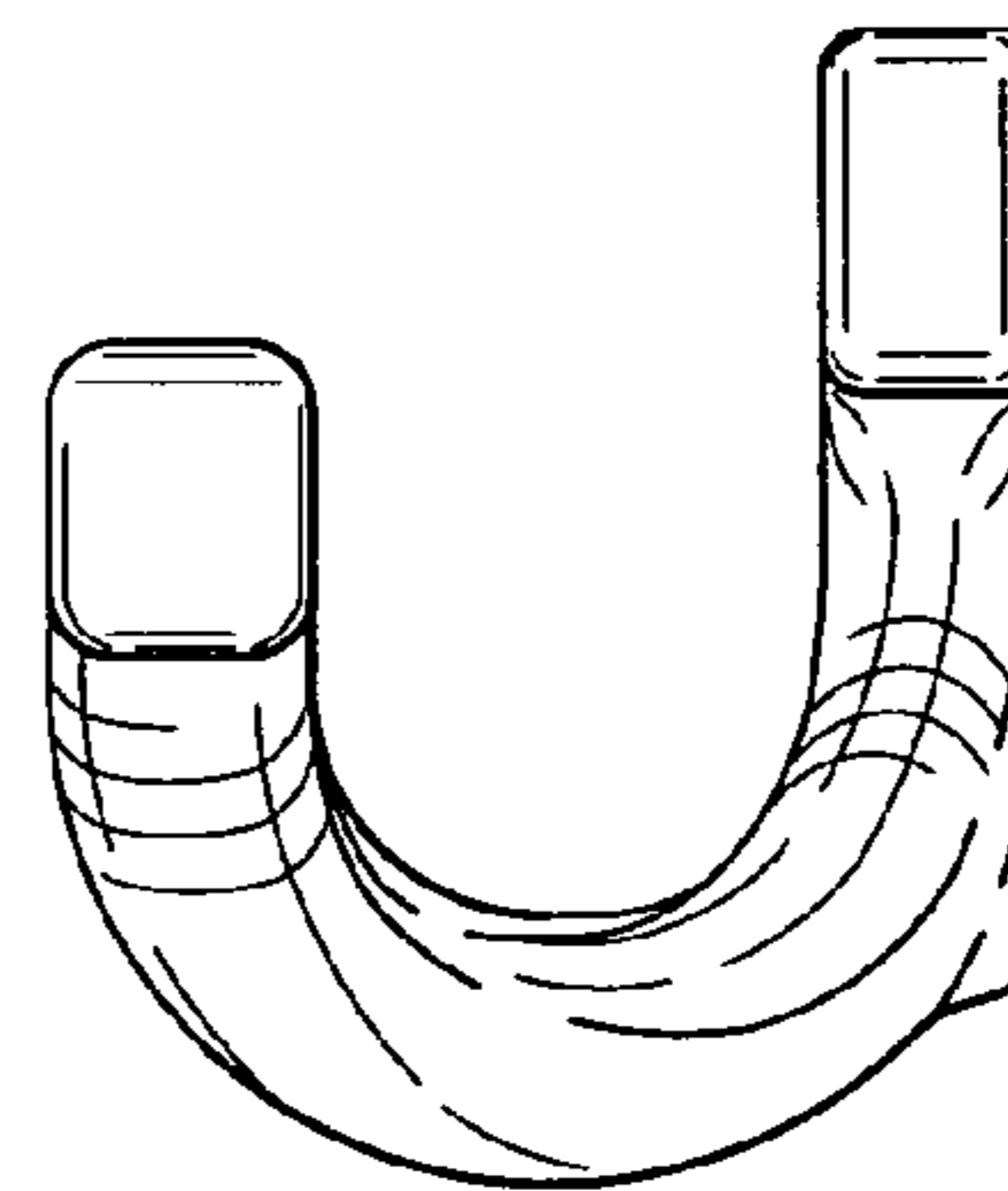


Fig-4