



US00D574222S

(12) **United States Design Patent**
Golias, Jr. et al.

(10) **Patent No.:** **US D574,222 S**

(45) **Date of Patent:** **** Aug. 5, 2008**

(54) **END BRACKET FOR FORKABLE BASE STAND**

D474,958 S *	5/2003	Perdue	D8/349
D511,086 S *	11/2005	Craine	D8/354
D523,735 S *	6/2006	Craine	D8/354
D548,051 S *	8/2007	Ruppert et al.	D8/354

(75) Inventors: **Bernard J. Golias, Jr.**, Twinsburg, OH (US); **Gary W. James**, Parma Heights, OH (US); **Gary R. Kish**, Parma, OH (US)

* cited by examiner

Primary Examiner—Holly H Baynham

(74) *Attorney, Agent, or Firm*—Fay Sharpe LLP

(73) Assignee: **Metal Fabricating Corporation**, Cleveland, OH (US)

(57) **CLAIM**

(**) Term: **14 Years**

The ornamental design for an end bracket for forkable base stand, as shown and described.

(21) Appl. No.: **29/289,020**

DESCRIPTION

(22) Filed: **Jun. 29, 2007**

FIG. 1 is a left side plan view of an end bracket for a forkable base stand;

(51) **LOC (8) Cl.** **08-05**

(52) **U.S. Cl.** **D8/349; D34/38**

FIG. 2 is a front plan view of the end bracket;

(58) **Field of Classification Search** D8/354,

FIG. 3 is a rear plan view thereof;

D8/349; 248/200, 300; D34/38

FIG. 4 is a right side plan view thereof;

See application file for complete search history.

FIG. 5 is the top end view thereof;

(56) **References Cited**

FIG. 6 is a bottom end view thereof; and,

U.S. PATENT DOCUMENTS

FIG. 7 is a perspective view thereof.

D357,623 S * 4/1995 Davis D8/354

D358,795 S * 5/1995 Viola D12/187

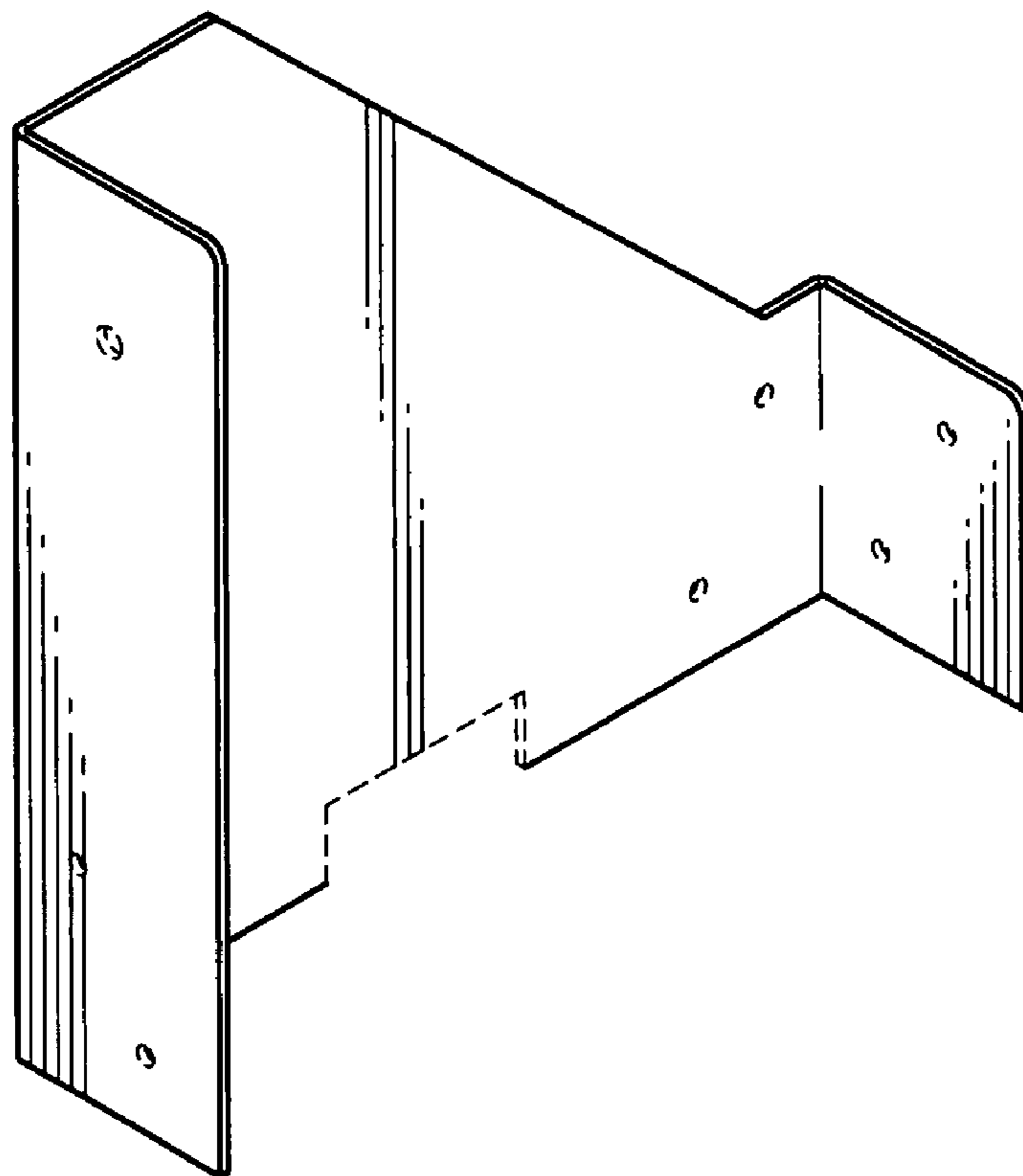
D374,165 S * 10/1996 Marshall D8/354

D394,632 S * 5/1998 Miller D12/223

D437,282 S * 2/2001 Joll D12/223

The broken lines showing of partial structure and openings are included for the purpose of illustrating environment and forms no part of the claimed design.

1 Claim, 2 Drawing Sheets



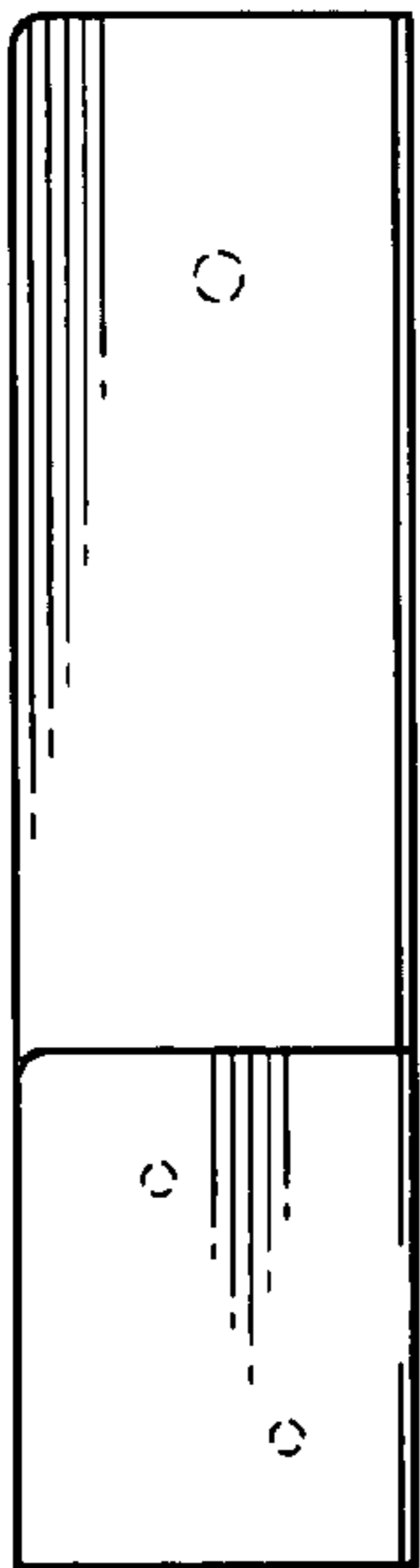


FIG. 2

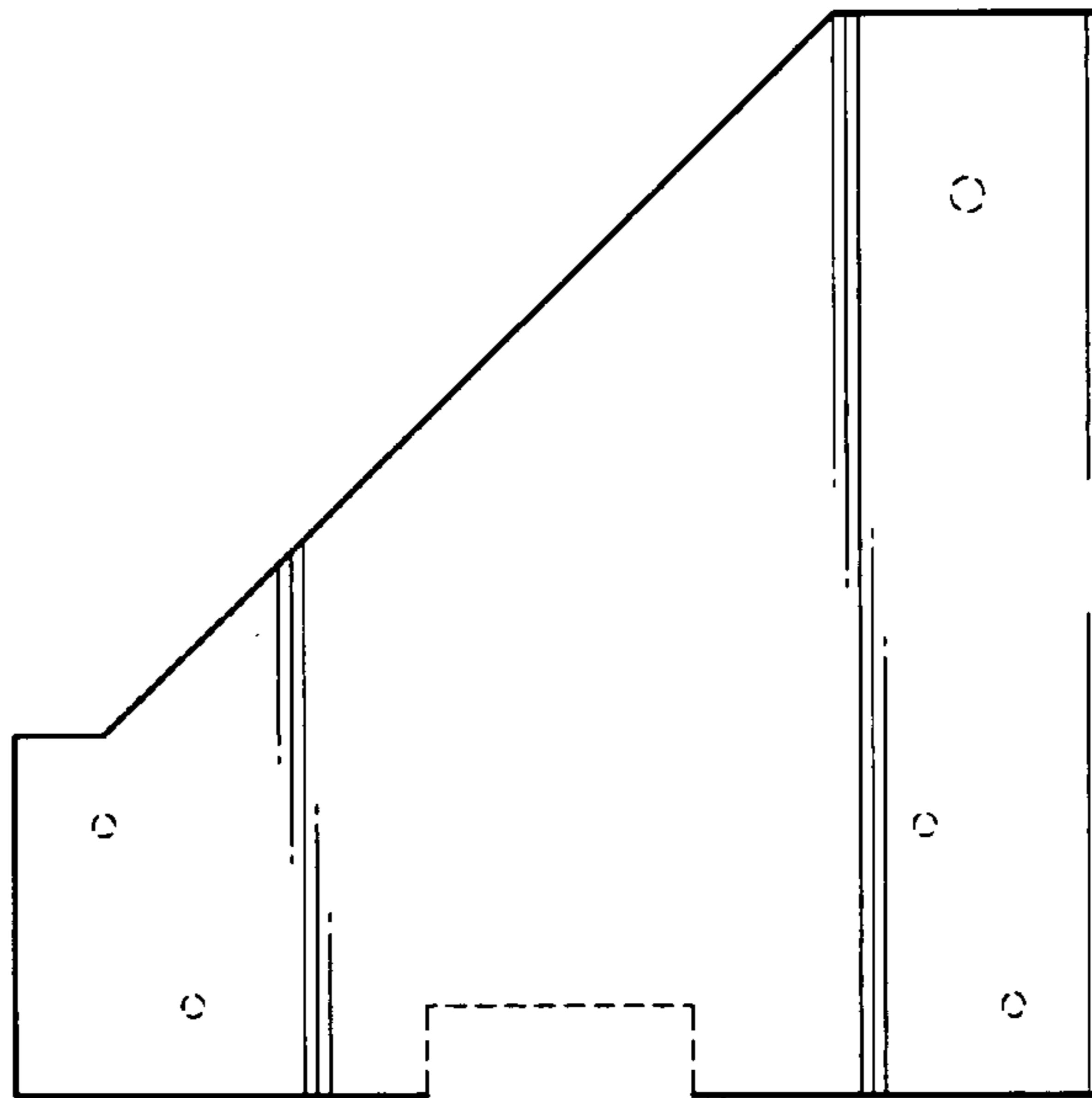


FIG. 1

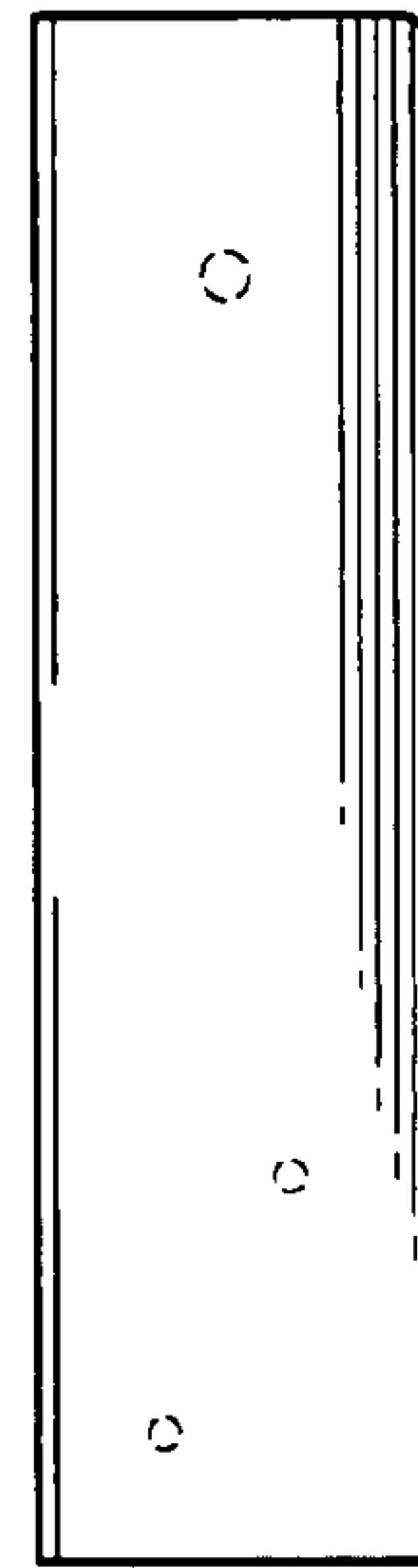


FIG. 3

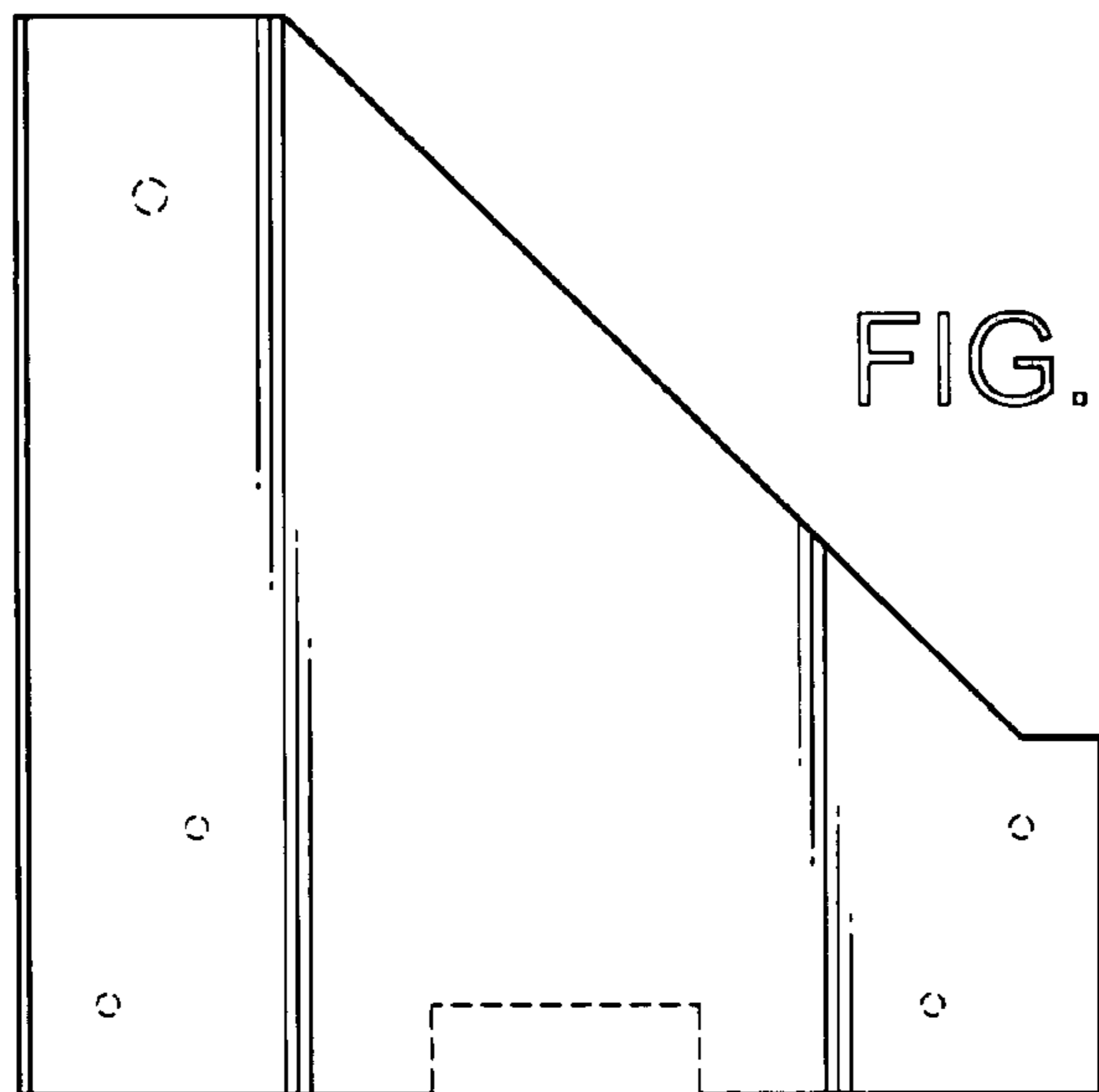


FIG. 4

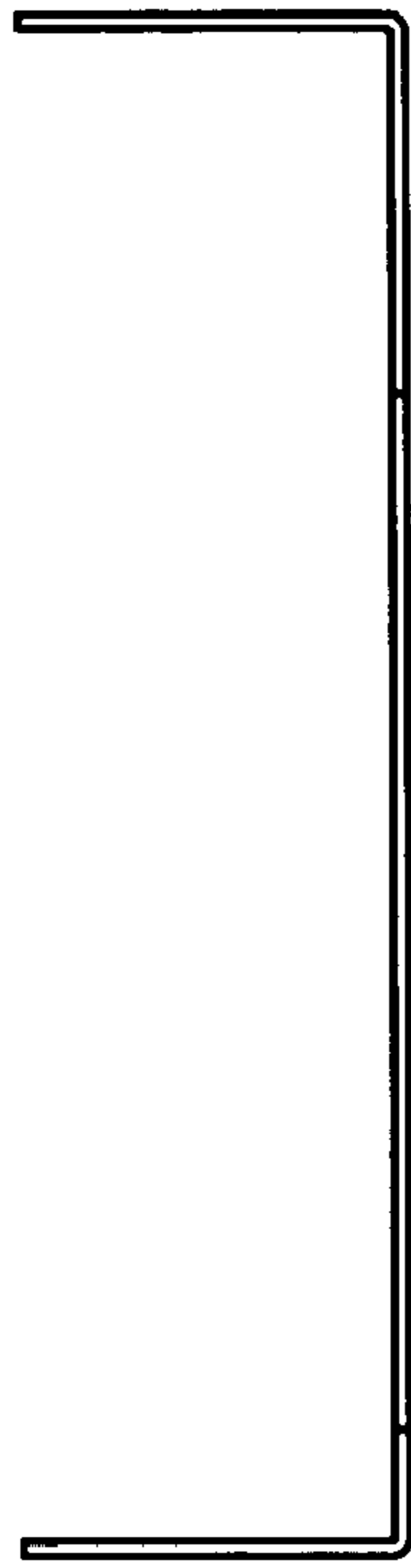


FIG. 5

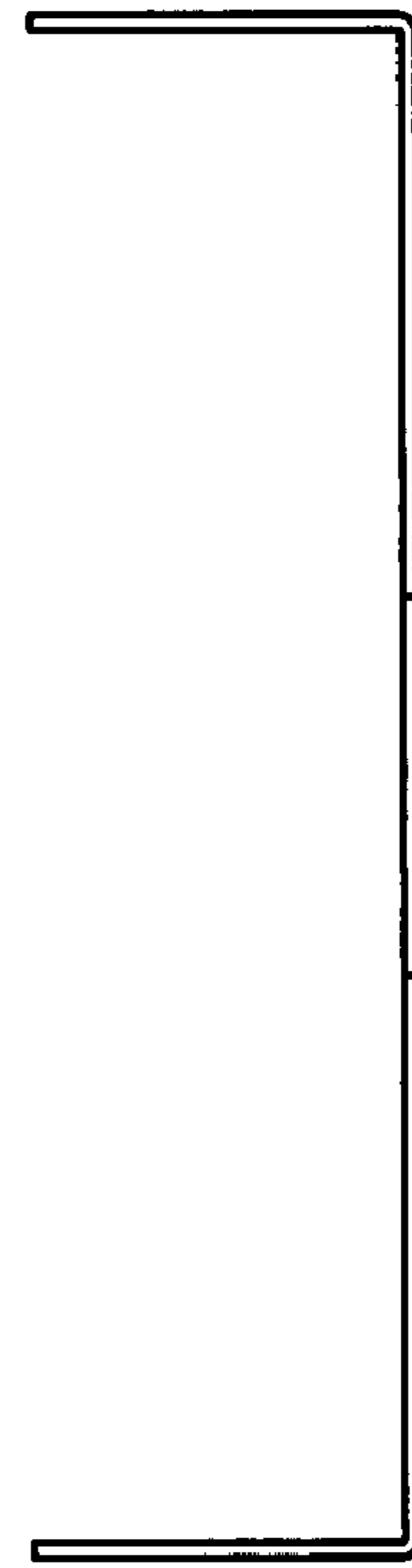


FIG. 6

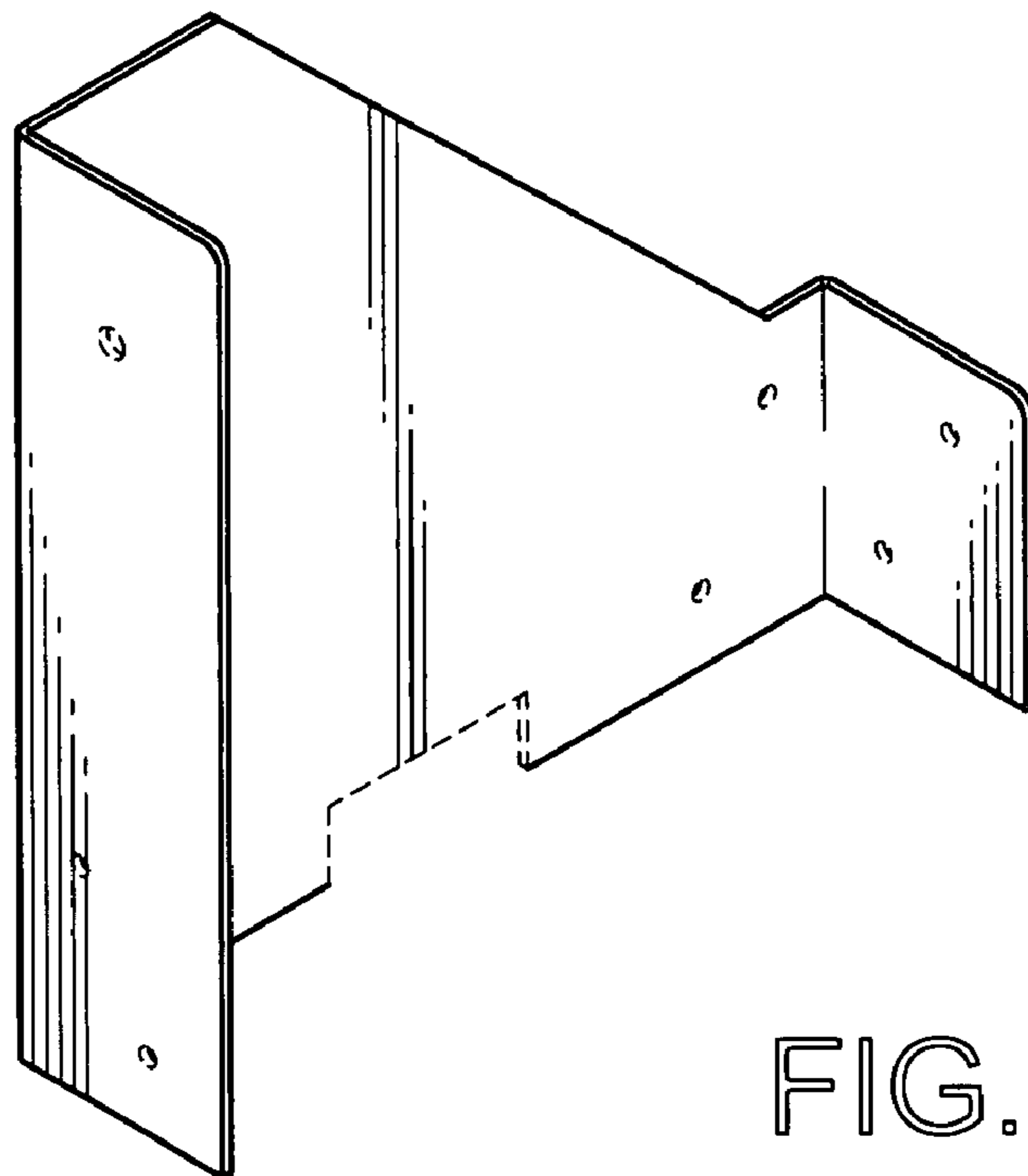


FIG. 7