



US00D574220S

(12) **United States Design Patent**
Svedberg et al.

(10) **Patent No.:** **US D574,220 S**
(45) **Date of Patent:** **** Aug. 5, 2008**

(54) **SKYDECK END ATTACHMENT**

- (75) Inventors: **Joakim Svedberg**, Frösön (SE); **Bengt Jönsson**, Ås (SE)
- (73) Assignee: **Combisafe International AB**, Ostersund (SE)
- (**) Term: **14 Years**
- (21) Appl. No.: **29/268,497**
- (22) Filed: **Nov. 8, 2006**
- (51) **LOC (8) Cl.** **08-05**
- (52) **U.S. Cl.** **D8/349; D8/354**
- (58) **Field of Classification Search** D25/131;
D8/349, 354; 52/712-715, 489.2
See application file for complete search history.

(56) **References Cited**

U.S. PATENT DOCUMENTS

D376,388 S *	12/1996	Hall	D20/43
D447,047 S *	8/2001	Clifford	D8/373
D454,479 S *	3/2002	Kolpin	D8/349
6,817,157 B2 *	11/2004	Bourque	52/712

* cited by examiner

Primary Examiner—Holly H Baynham
(74) *Attorney, Agent, or Firm*—Birch, Stewart, Kolasch & Birch, LLP

(57) **CLAIM**

The ornamental design for a a skydeck end attachment, as shown and described.

DESCRIPTION

FIG. 1 is a front, top, right perspective view of a first embodiment of a skydeck end attachment showing our new design;

FIG. 2 is a rear, bottom, right perspective view of a first embodiment of a skydeck end attachment showing our new design;

FIG. 3 is a front view of a first embodiment of a skydeck end attachment showing our new design;

FIG. 4 is a right side view of a first embodiment of a skydeck end attachment showing our new design;

FIG. 5 is a top view of a first embodiment of a skydeck end attachment showing our new design;

FIG. 6 is a bottom view of a first embodiment of a skydeck end attachment showing our new design;

FIG. 7 is a rear view of a first embodiment of a skydeck end attachment showing our new design;

FIG. 8 is a front, top, right perspective view of a second embodiment of a skydeck end attachment showing our new design;

FIG. 9 is a rear, bottom, right perspective view of a second embodiment of a skydeck end attachment showing our new design;

FIG. 10 is a front view of a second embodiment of a skydeck end attachment showing our new design;

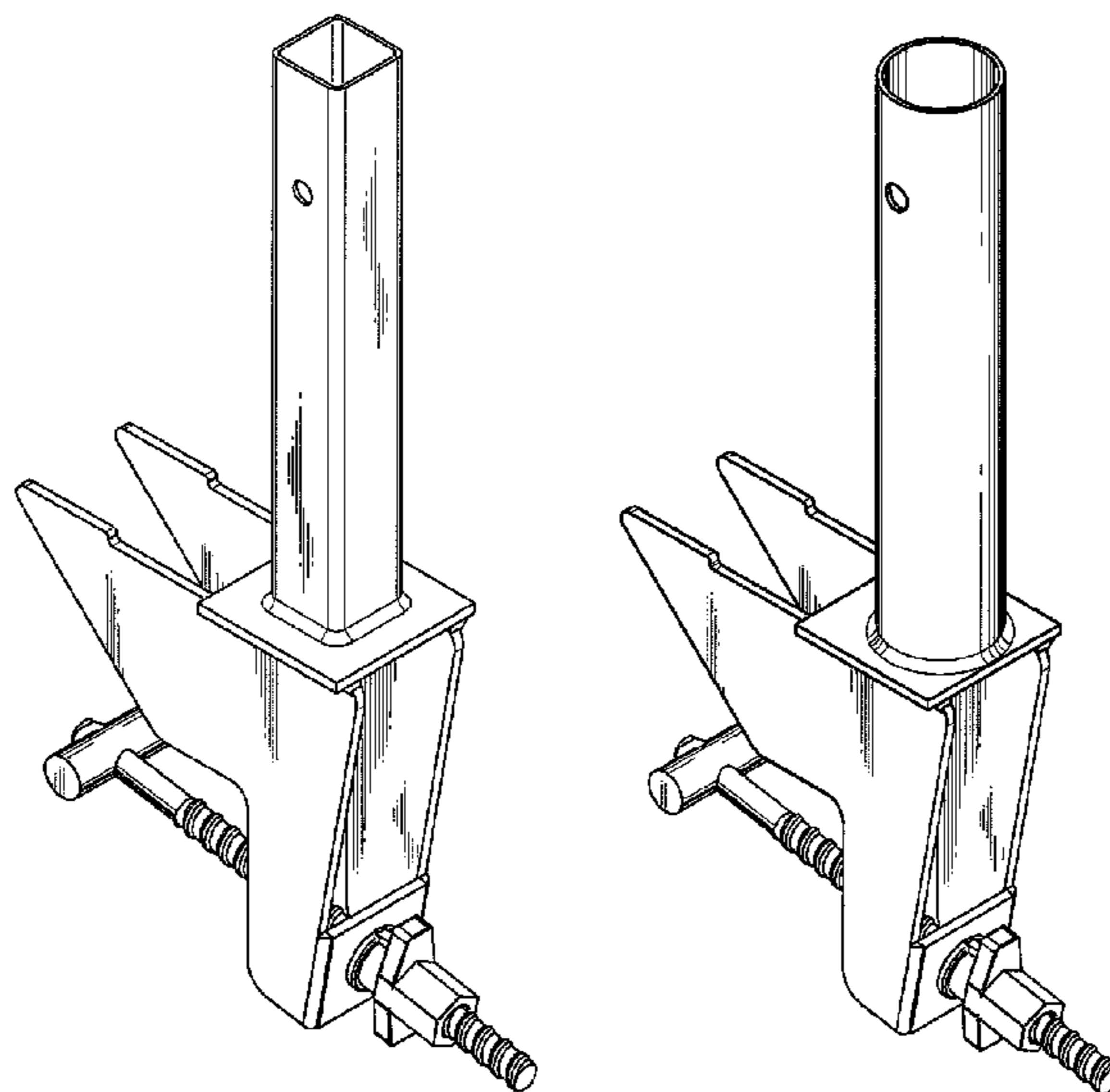
FIG. 11 is a right side view of a second embodiment of a skydeck end attachment showing our new design;

FIG. 12 is a top view of a second embodiment of a skydeck end attachment showing our new design;

FIG. 13 is a bottom view of a second embodiment of a skydeck end attachment showing our new design; and,

FIG. 14 is a rear view of a second embodiment of a skydeck end attachment showing our new design.

1 Claim, 6 Drawing Sheets



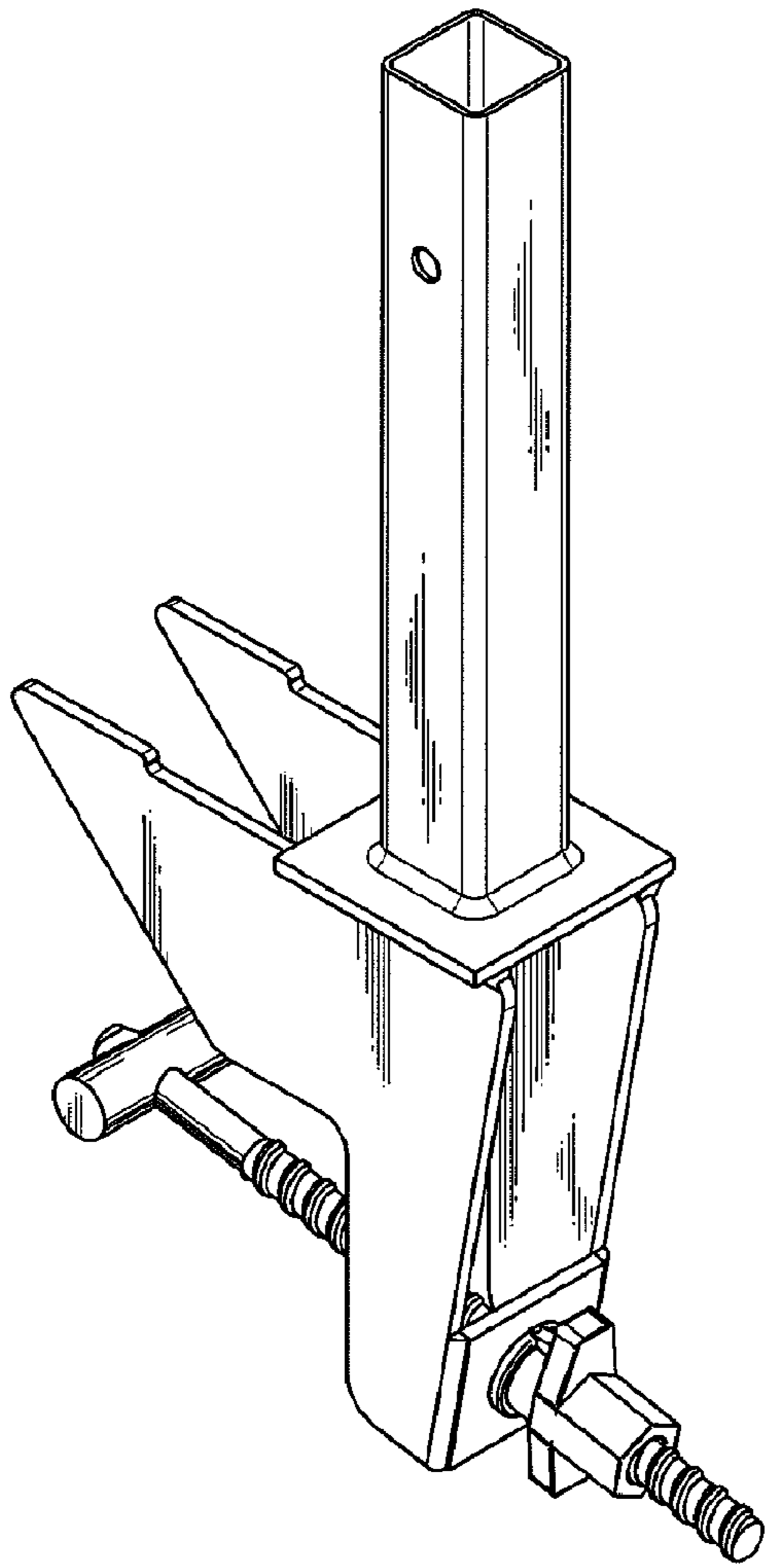


Fig. 1

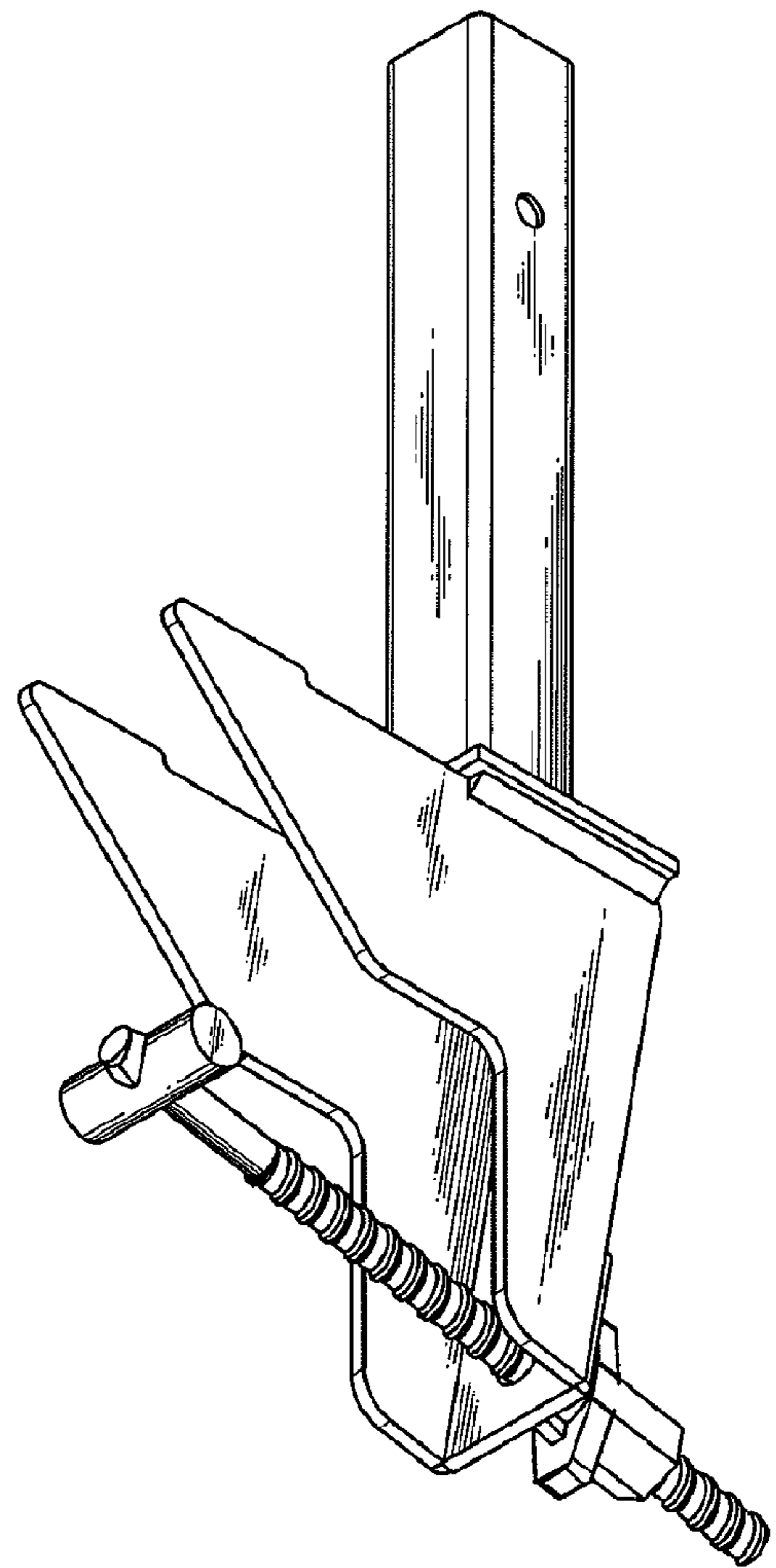


Fig. 2

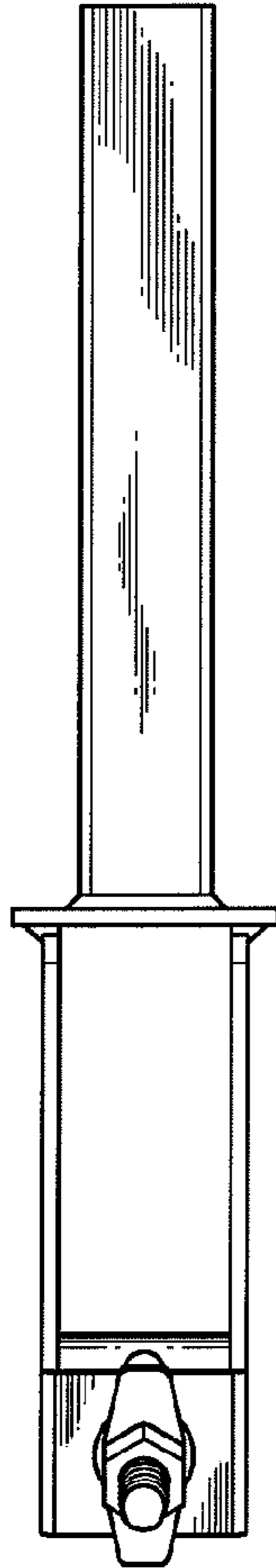


Fig. 3

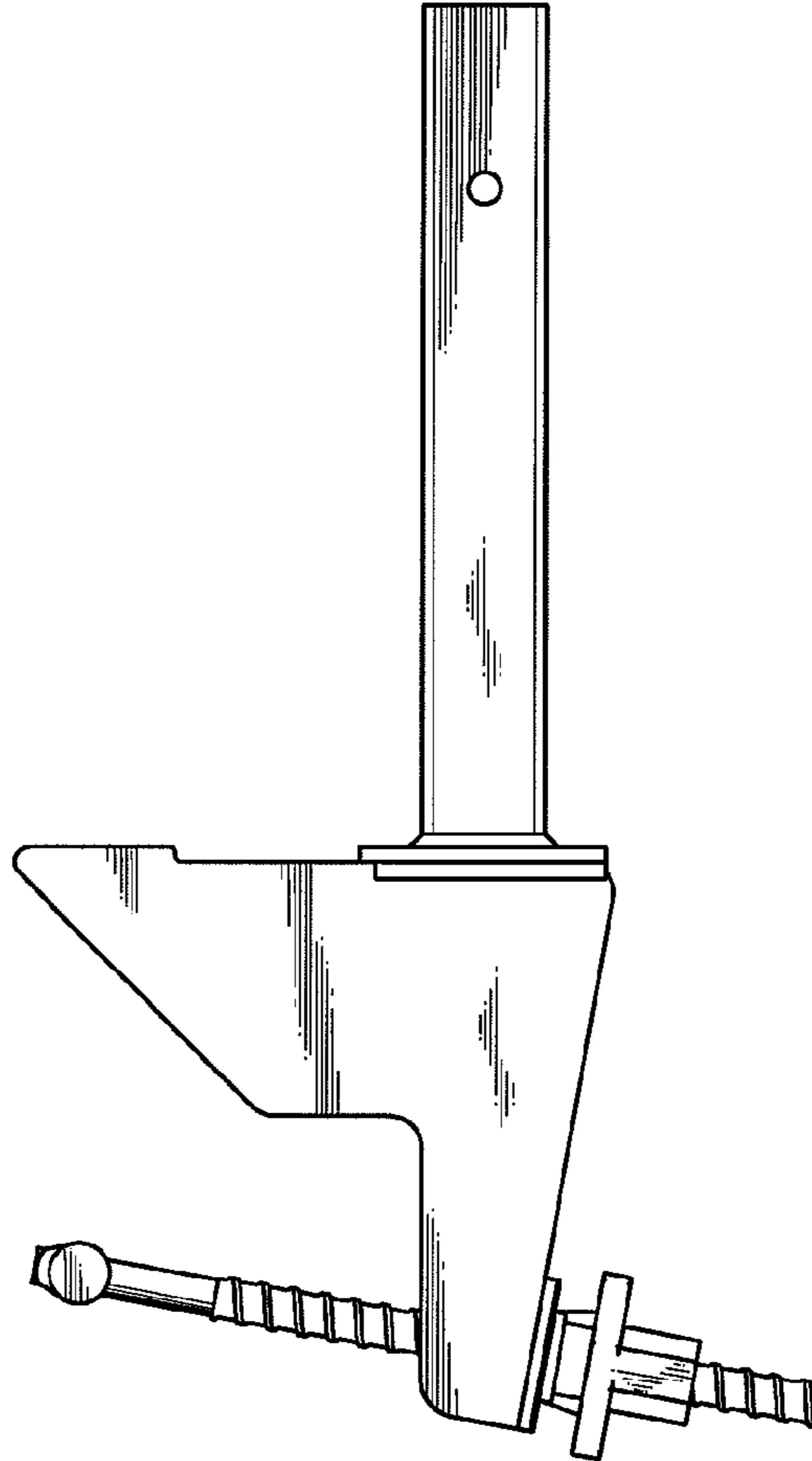


Fig. 4

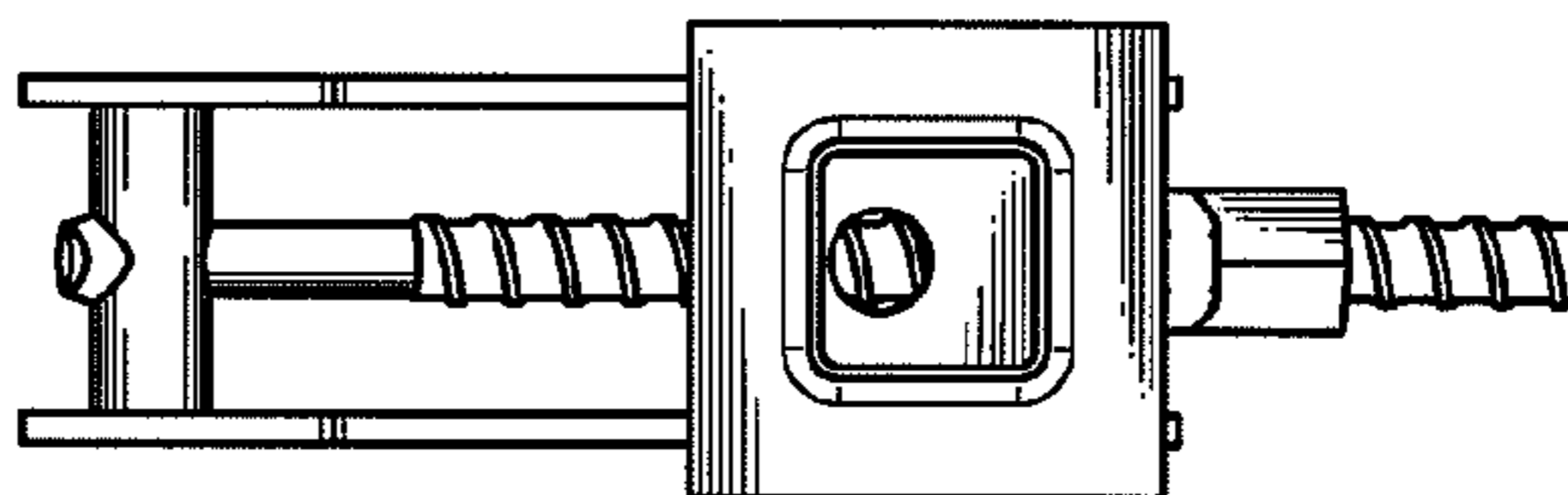


Fig. 5

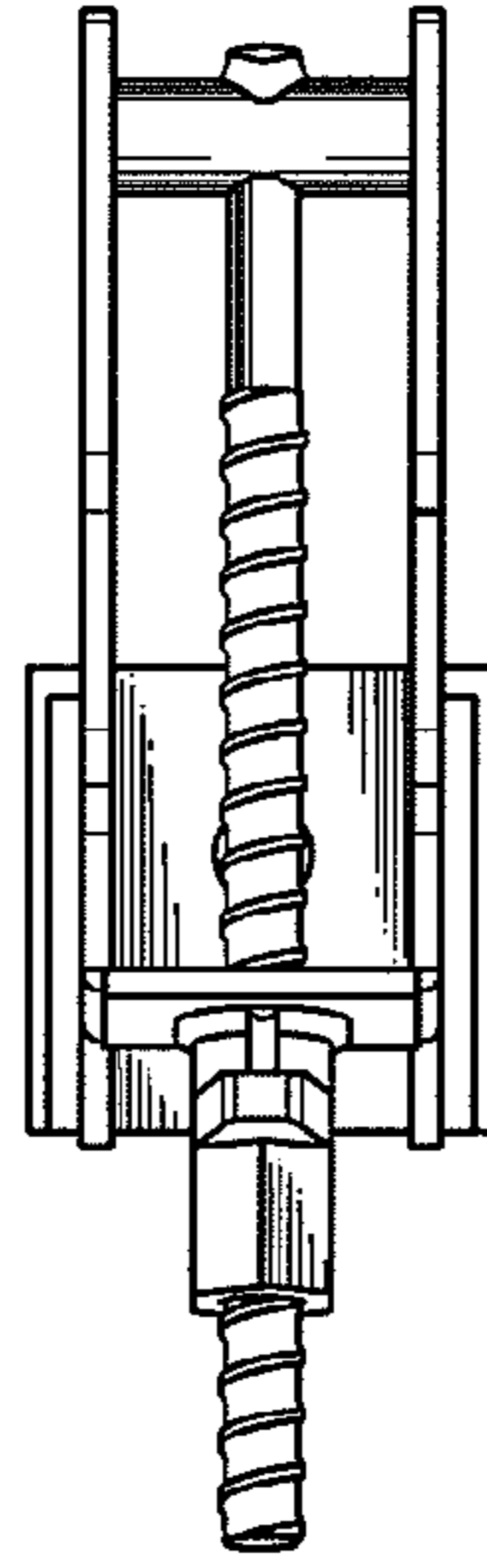


Fig. 6

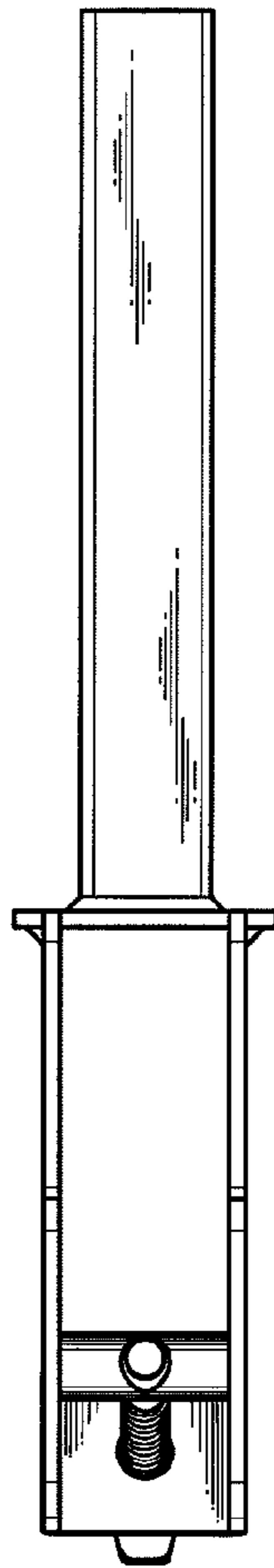


Fig. 7

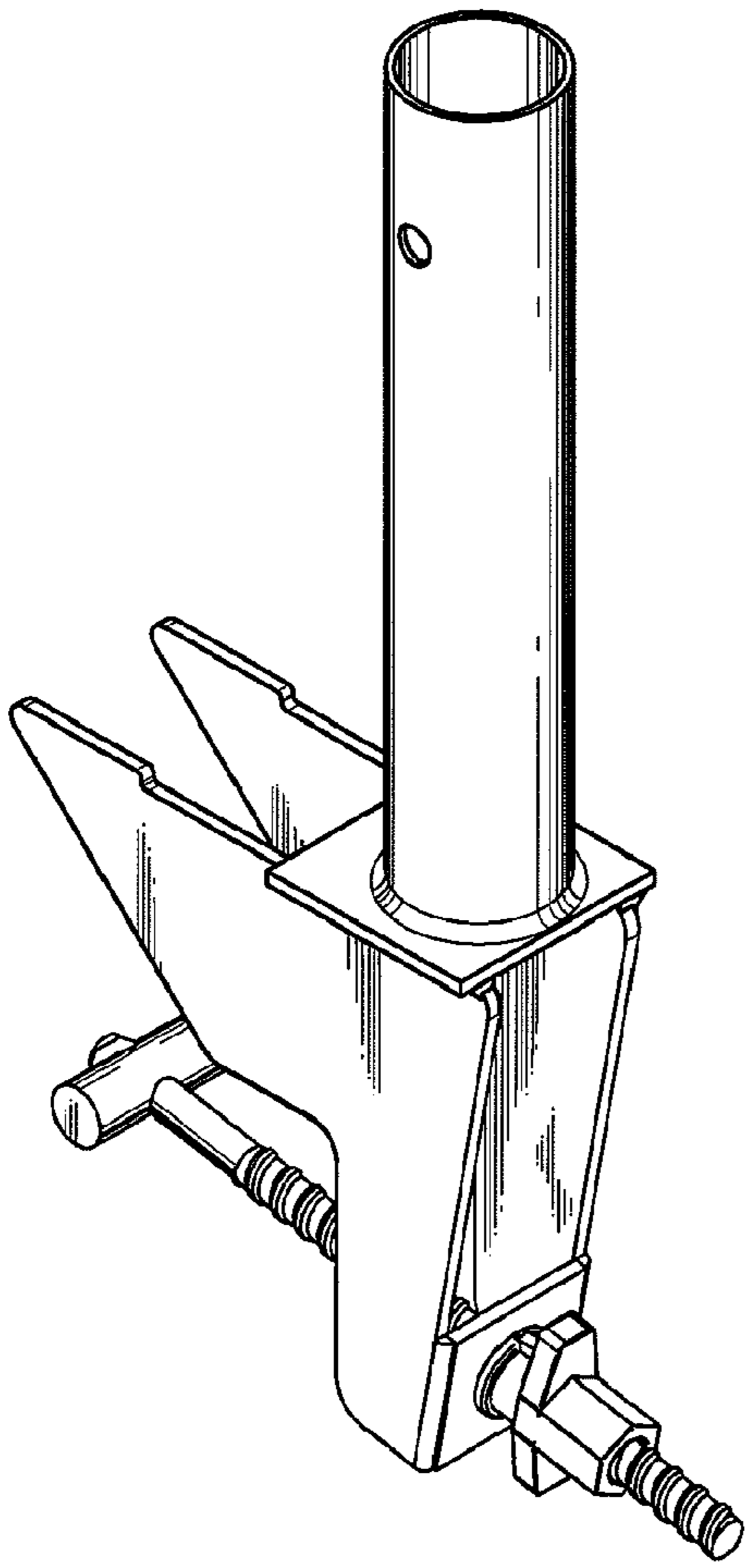


Fig. 8

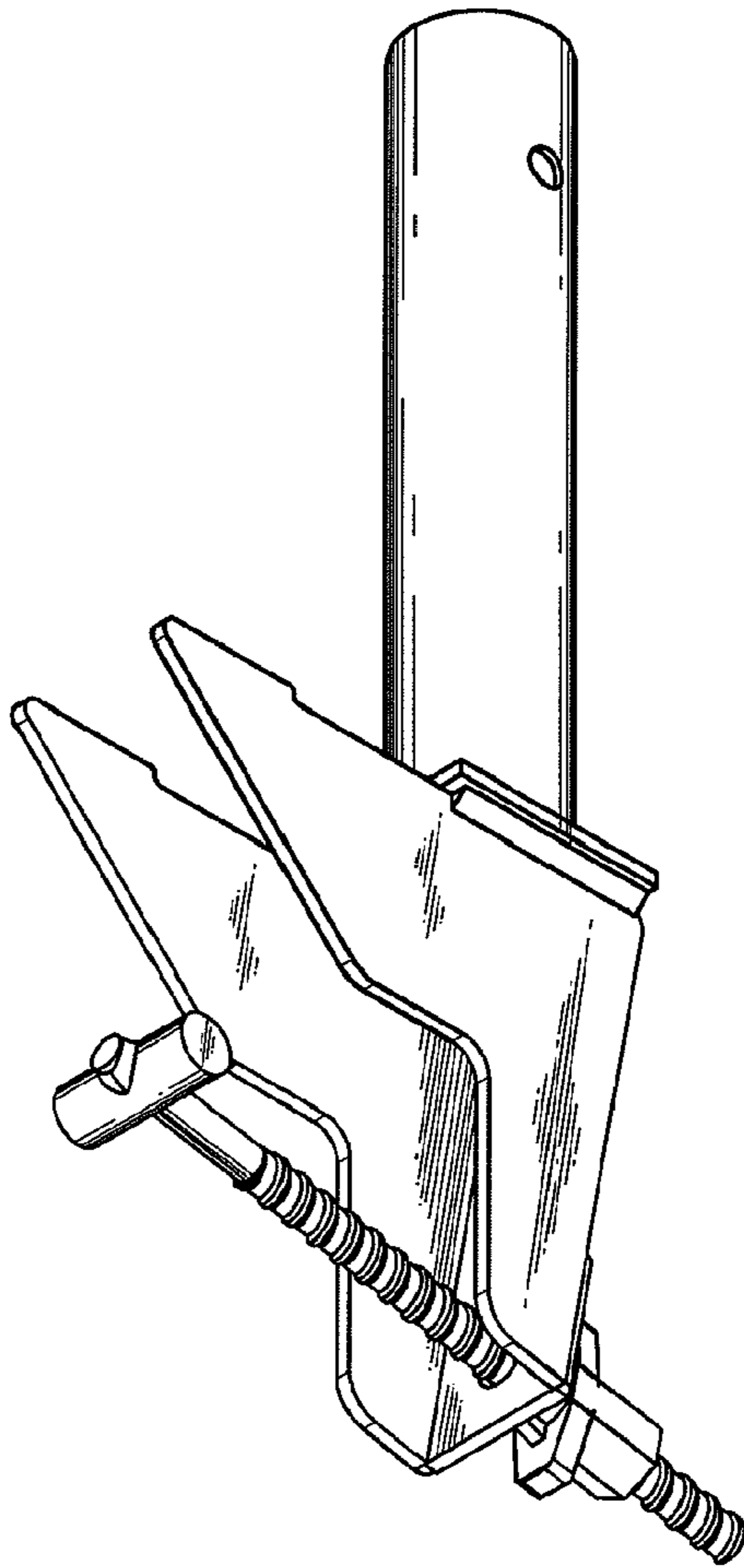


Fig. 9

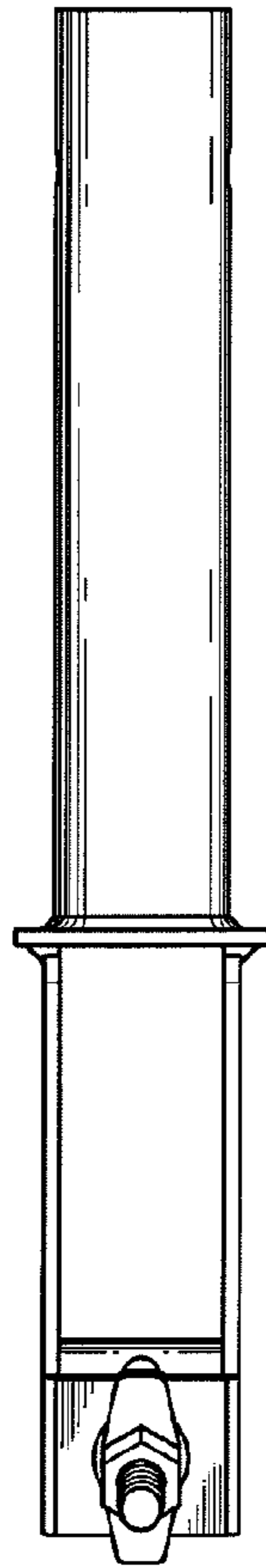


Fig. 10

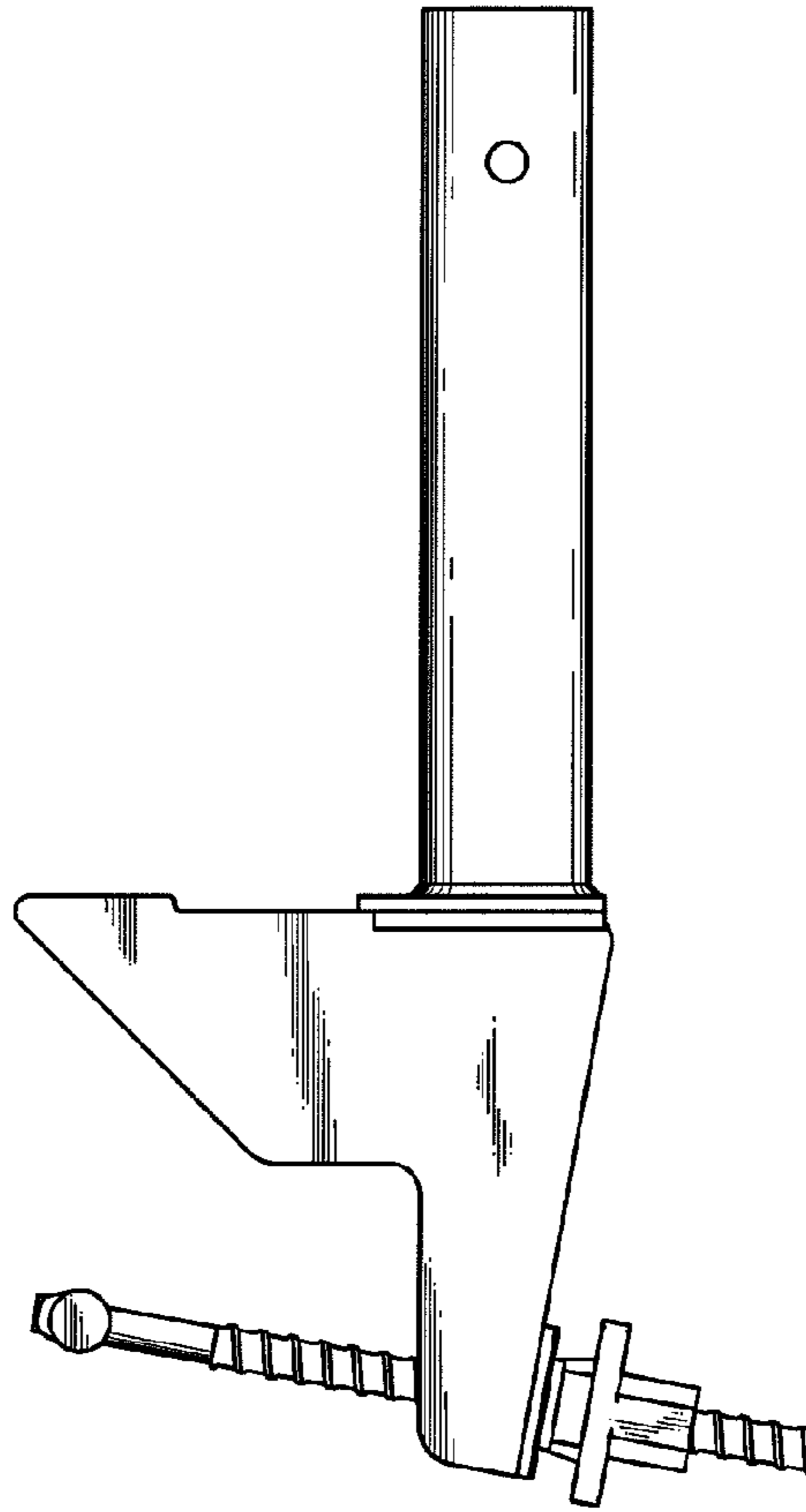


Fig. 11

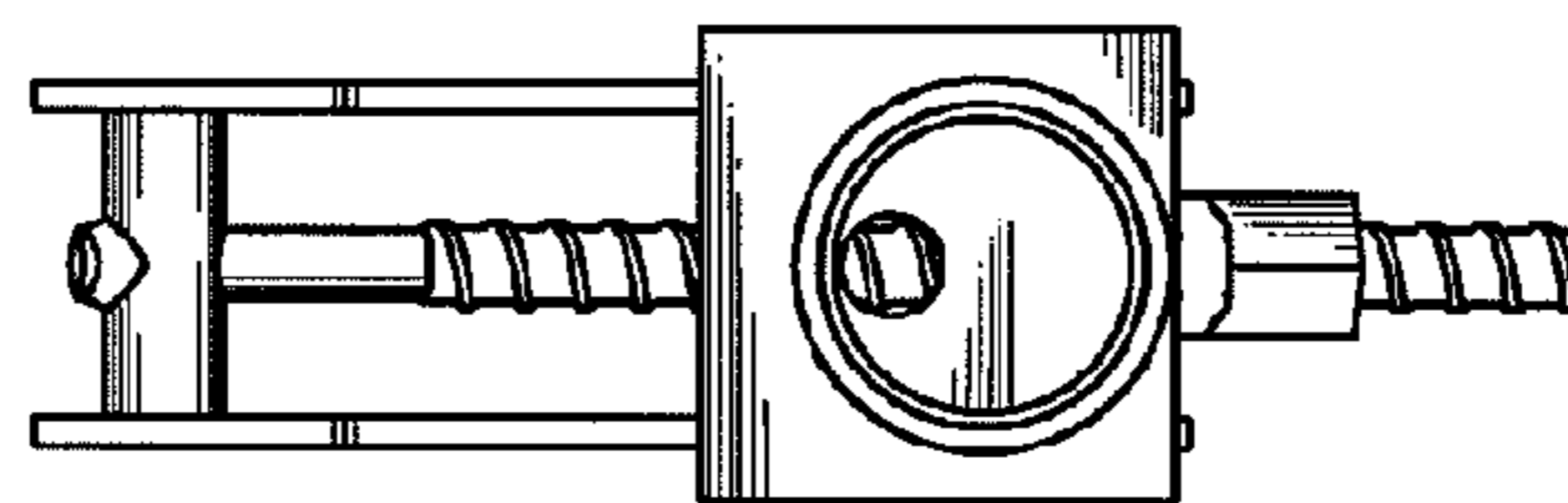


Fig. 12

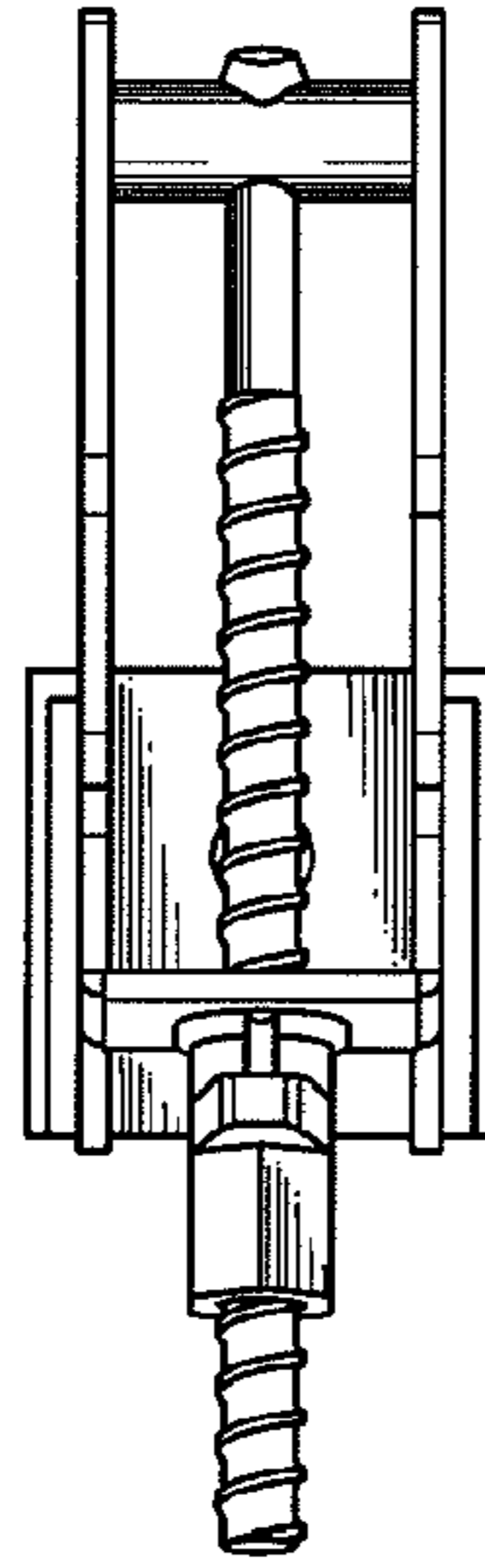


Fig. 13

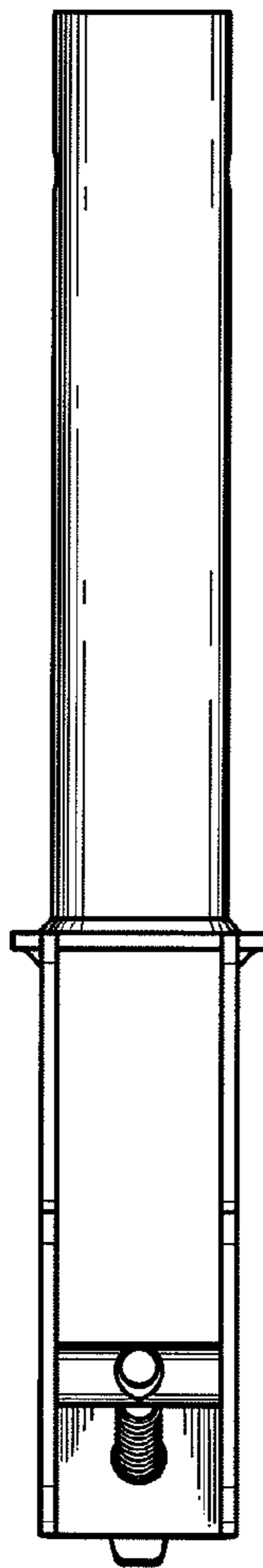


Fig. 14