



US00D574219S

(12) **United States Design Patent**
Griffith

(10) **Patent No.:** **US D574,219 S**

(45) **Date of Patent:** **** Aug. 5, 2008**

(54) **LINKED LATCH**

(75) Inventor: **Douglas D. Griffith**, Speculator, NY
(US)

(73) Assignee: **Taylor Made Group, Inc.**, Gloversville,
NY (US)

(**) Term: **14 Years**

(21) Appl. No.: **29/269,471**

(22) Filed: **Dec. 1, 2006**

(51) **LOC (8) Cl.** **08-07**

(52) **U.S. Cl.** **D8/338**

(58) **Field of Classification Search** D8/301,
D8/302, 308, 330, 331, 333, 336-339, 341,
D8/342, 343, 349; 49/181, 183, 185, 192,
49/503; 70/89, 90, 287; 292/26, 31, 54,
292/60, 108, 111, 132, 139, 145, 169, 202,
292/228, 240, 241, 242, 258, 332

See application file for complete search history.

(56) **References Cited**

U.S. PATENT DOCUMENTS

1,057,349	A	3/1913	Kurzwelly	
1,258,234	A	3/1918	McKee	
1,360,040	A	11/1920	Slauson	
1,401,941	A	12/1921	Brooks	
4,095,829	A	6/1978	Van Klompenburg	
D254,594	S *	4/1980	Picard D8/341
4,898,409	A	2/1990	Carter	
5,087,087	A	2/1992	Vetter et al.	
D332,906	S *	2/1993	Hall et al. D8/331

D341,308	S *	11/1993	Pritchard, II D8/338
RE35,463	E	2/1997	Vetter et al.	
6,161,881	A	12/2000	Babka et al.	
D440,143	S *	4/2001	Minter et al. D8/338
6,802,543	B1	10/2004	Wakefield	

* cited by examiner

Primary Examiner—Stella M. Reid

Assistant Examiner—Shanda C Hill

(74) *Attorney, Agent, or Firm*—Nixon & Vanderhye P.C.

(57) **CLAIM**

The ornamental design for a “linked latch,” as shown and described.

DESCRIPTION

FIG. 1 is a perspective view of a linked latch according to the present invention;

FIG. 2 is a top plan view of FIG. 1 shown in an alternate position;

FIG. 3 is a top plan view of FIG. 1;

FIG. 4 is a side view of FIG. 1;

FIG. 5 is a an end view of FIG. 1;

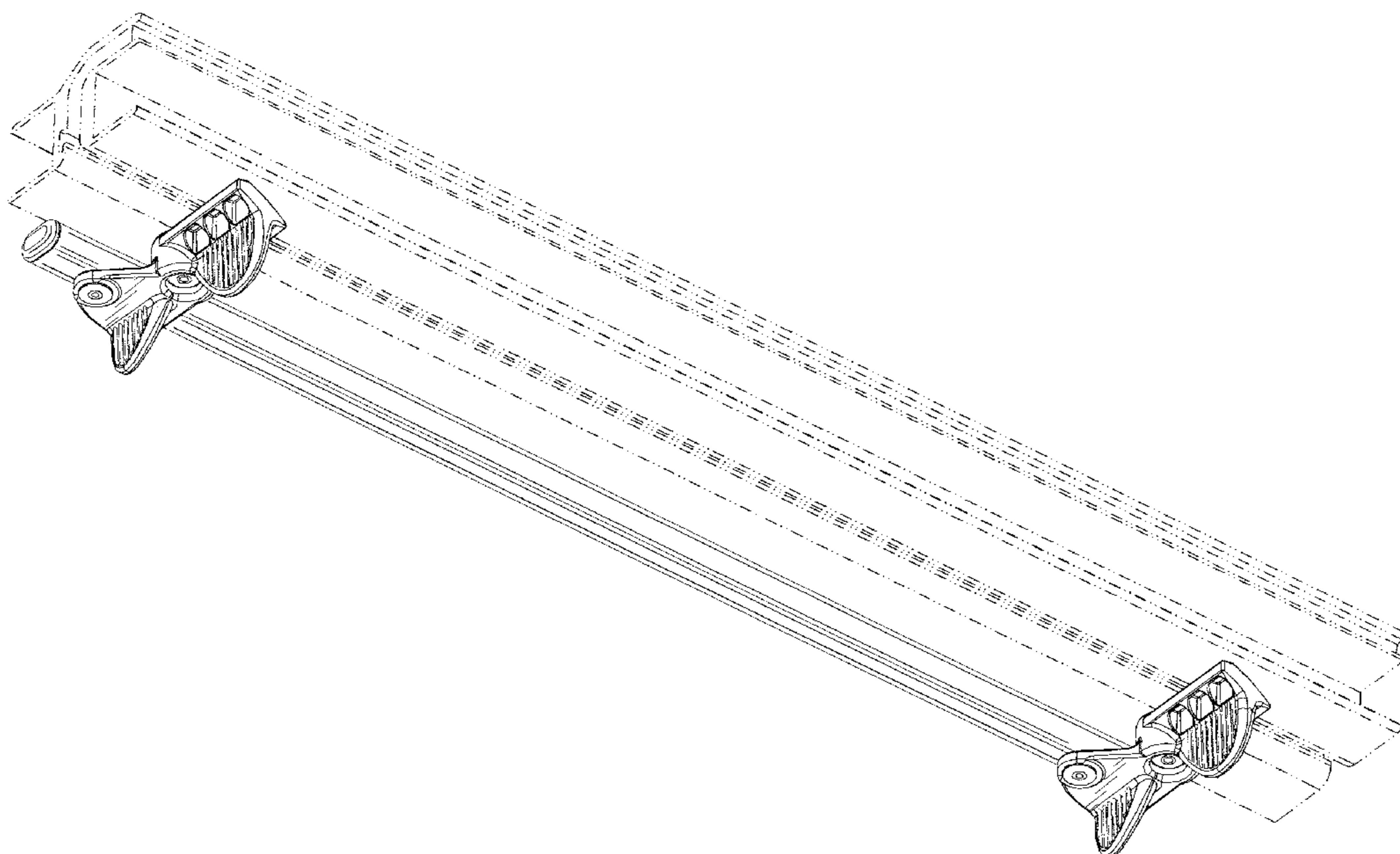
FIG. 6 is an enlarged partial perspective view of FIG. 1;

FIG. 7 is another enlarged partial perspective view FIG. 1;

FIG. 8 is a reduced perspective view of FIG. 1 shown in the same position as that of FIG. 2 in an alternate environment; and,

FIG. 9 is another reduced view of FIG. 1 shown in an alternate environment.

1 Claim, 6 Drawing Sheets



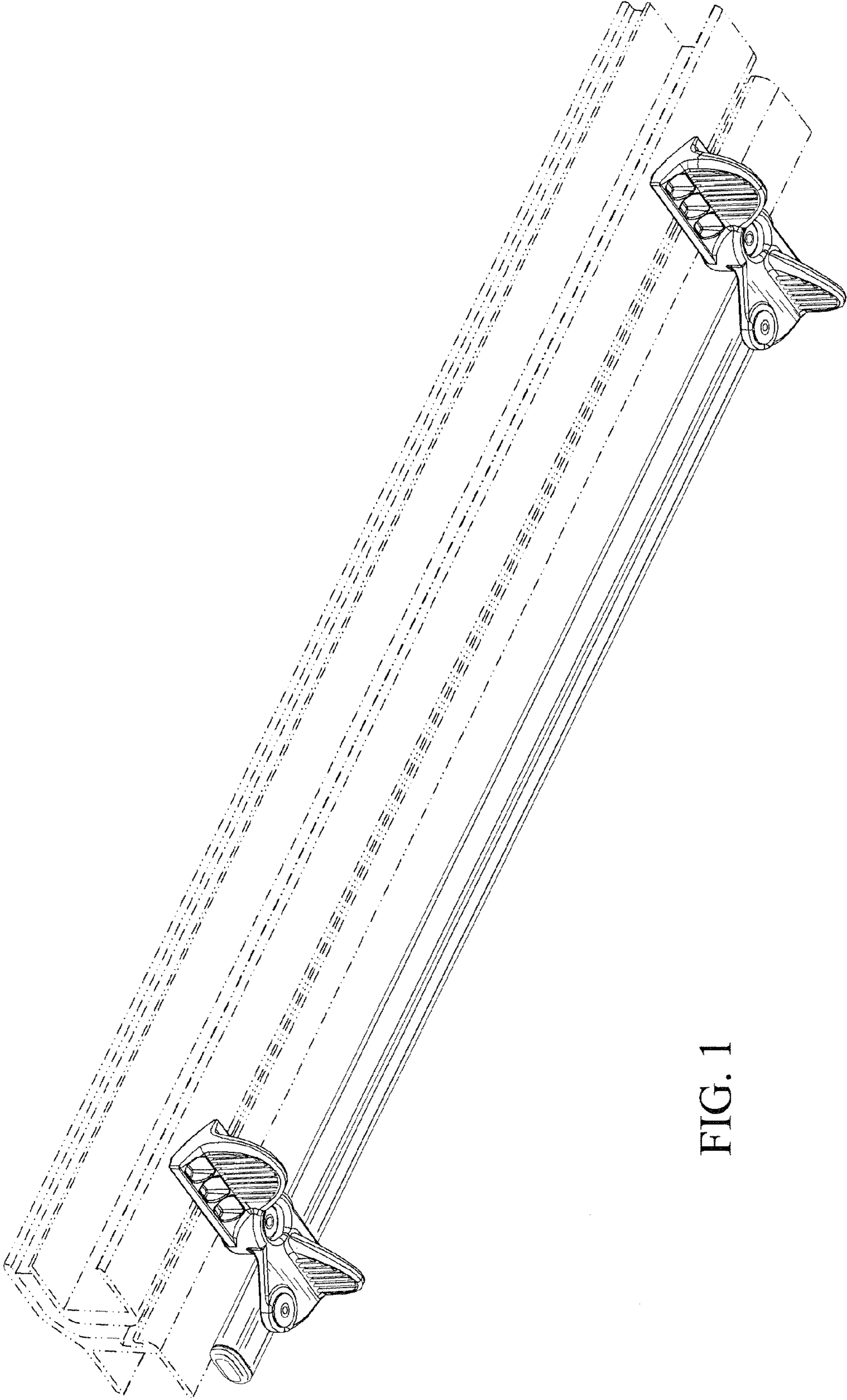


FIG. 1

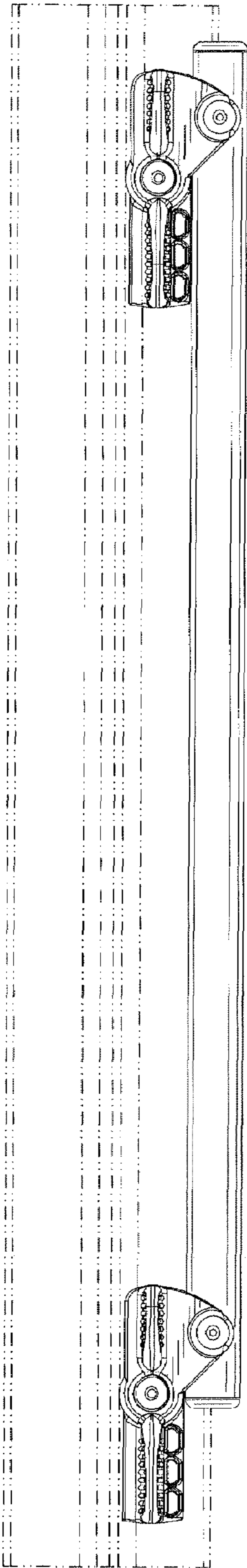


FIG. 2

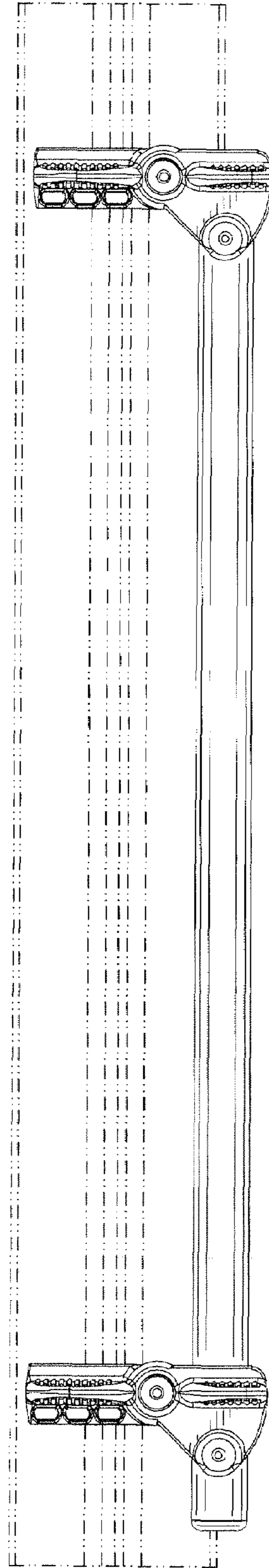


FIG. 3

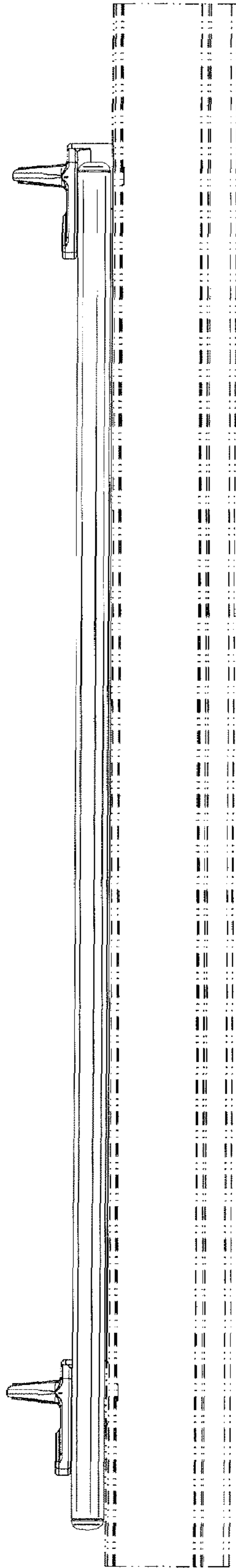


FIG. 4

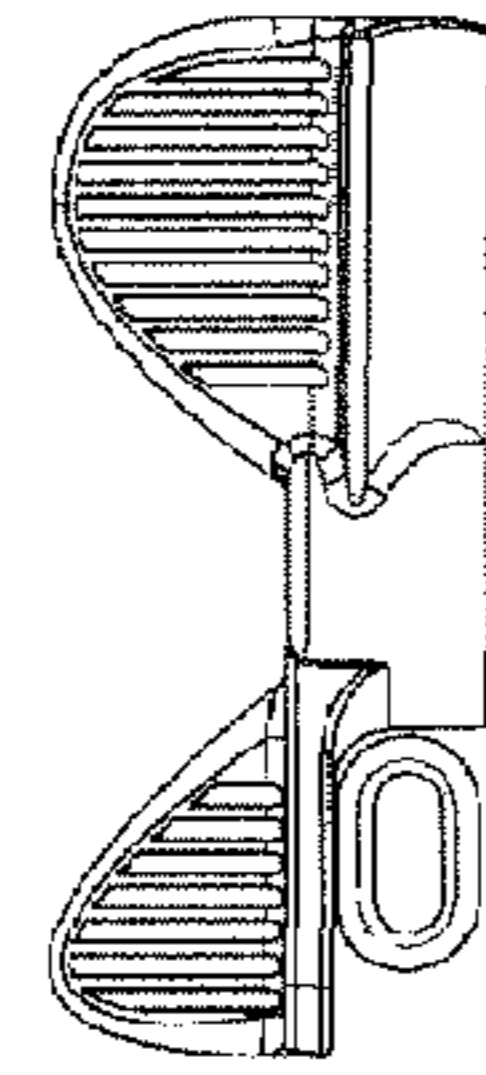


FIG. 5

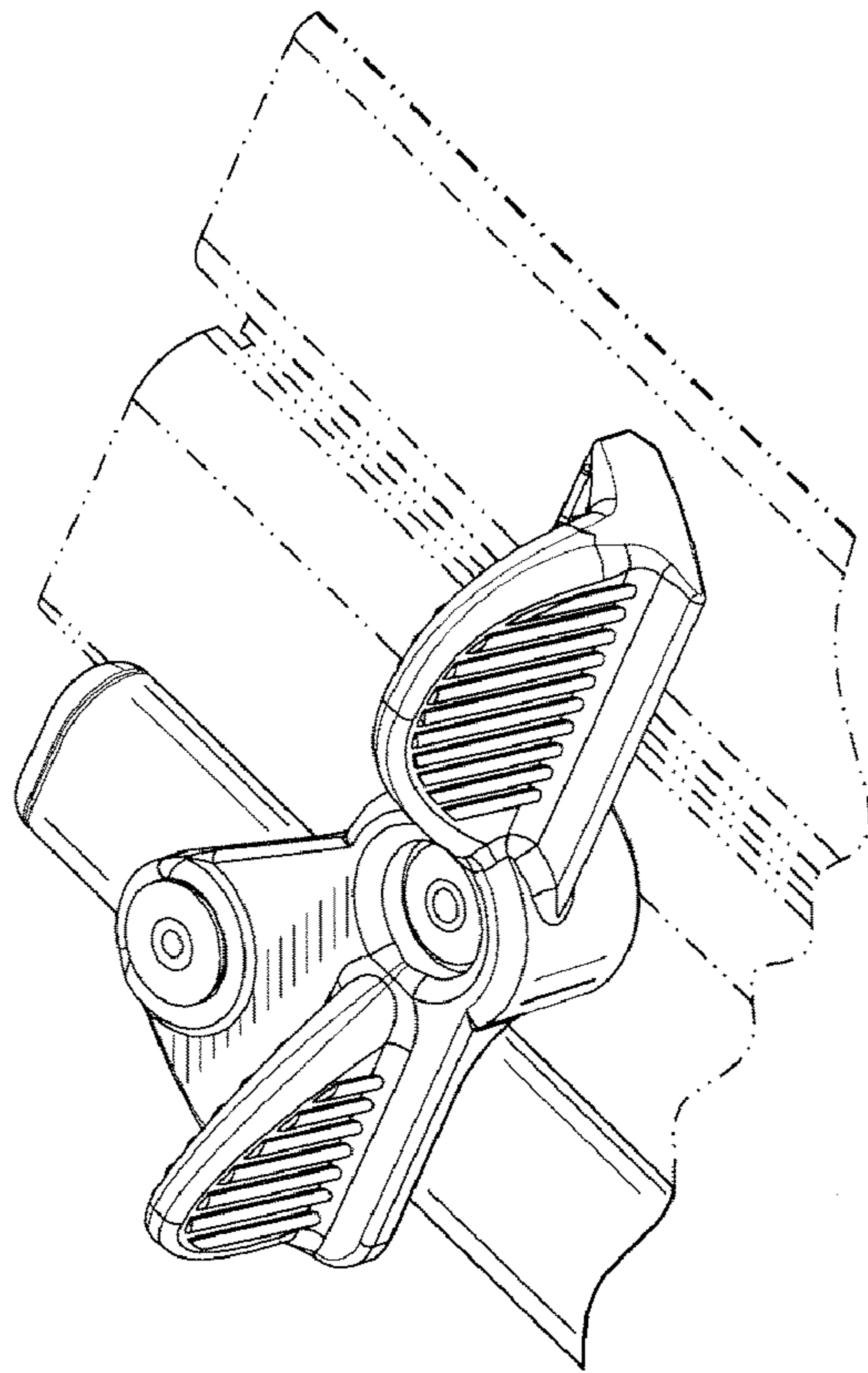


FIG. 6

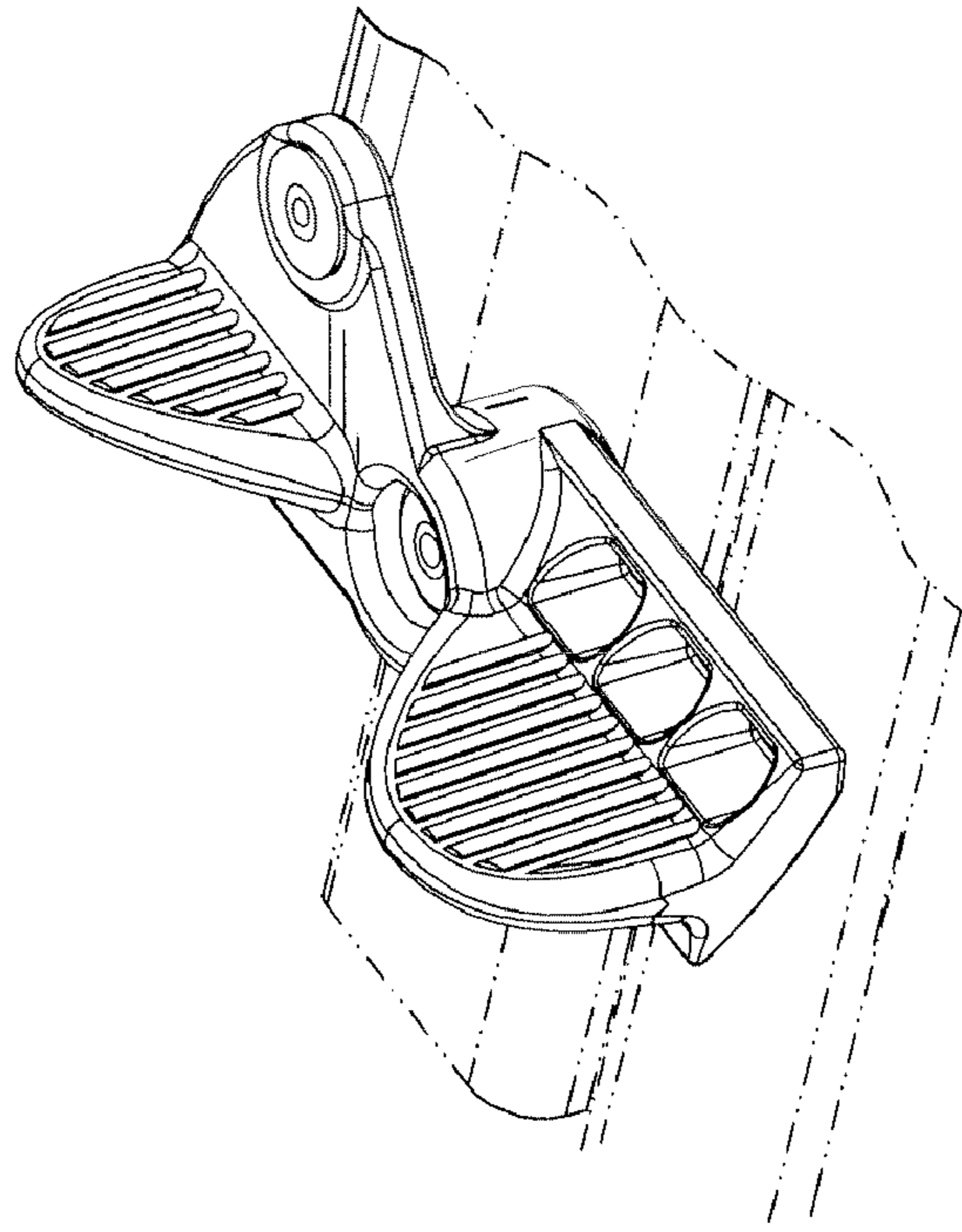


FIG. 7

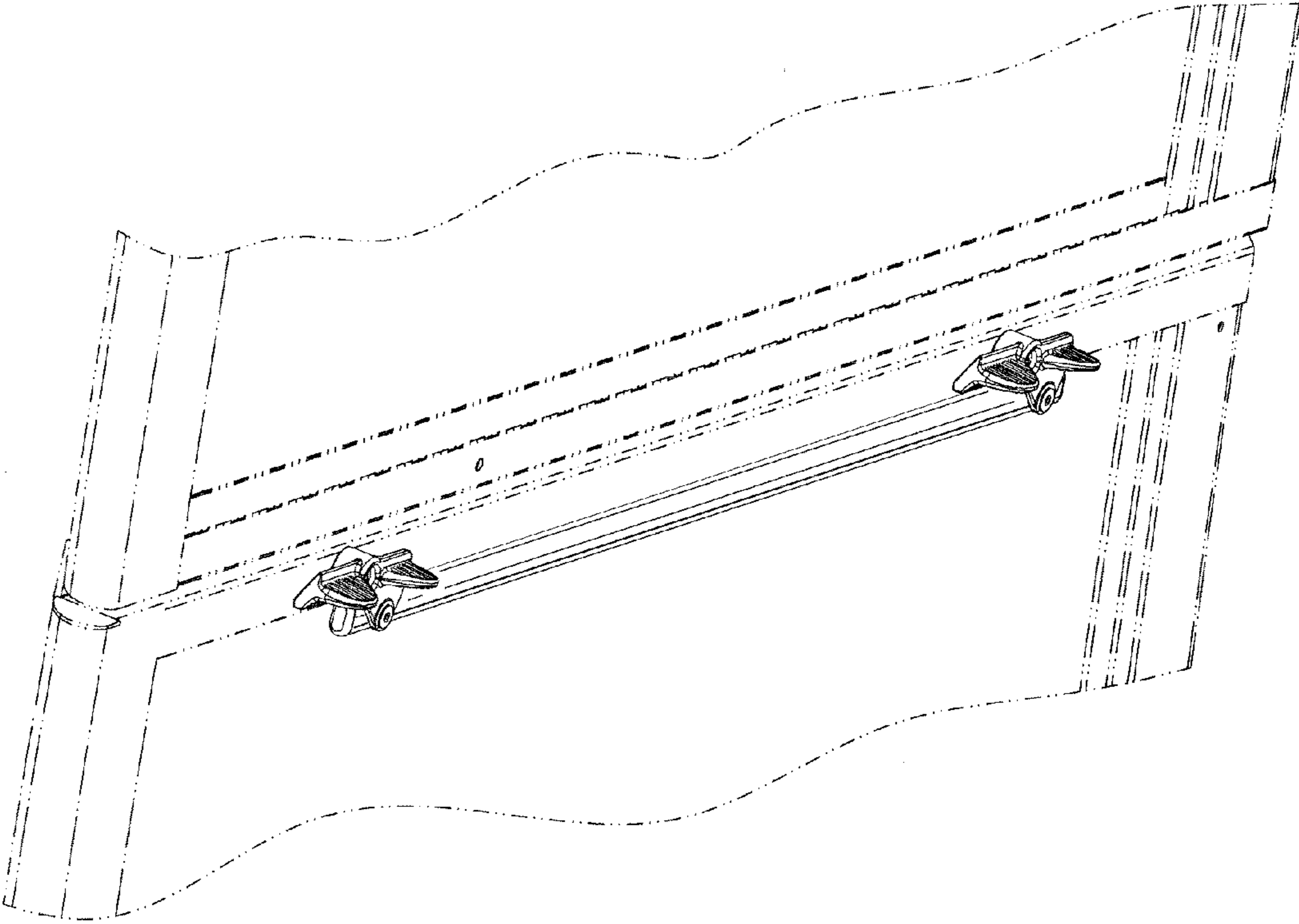


FIG. 8

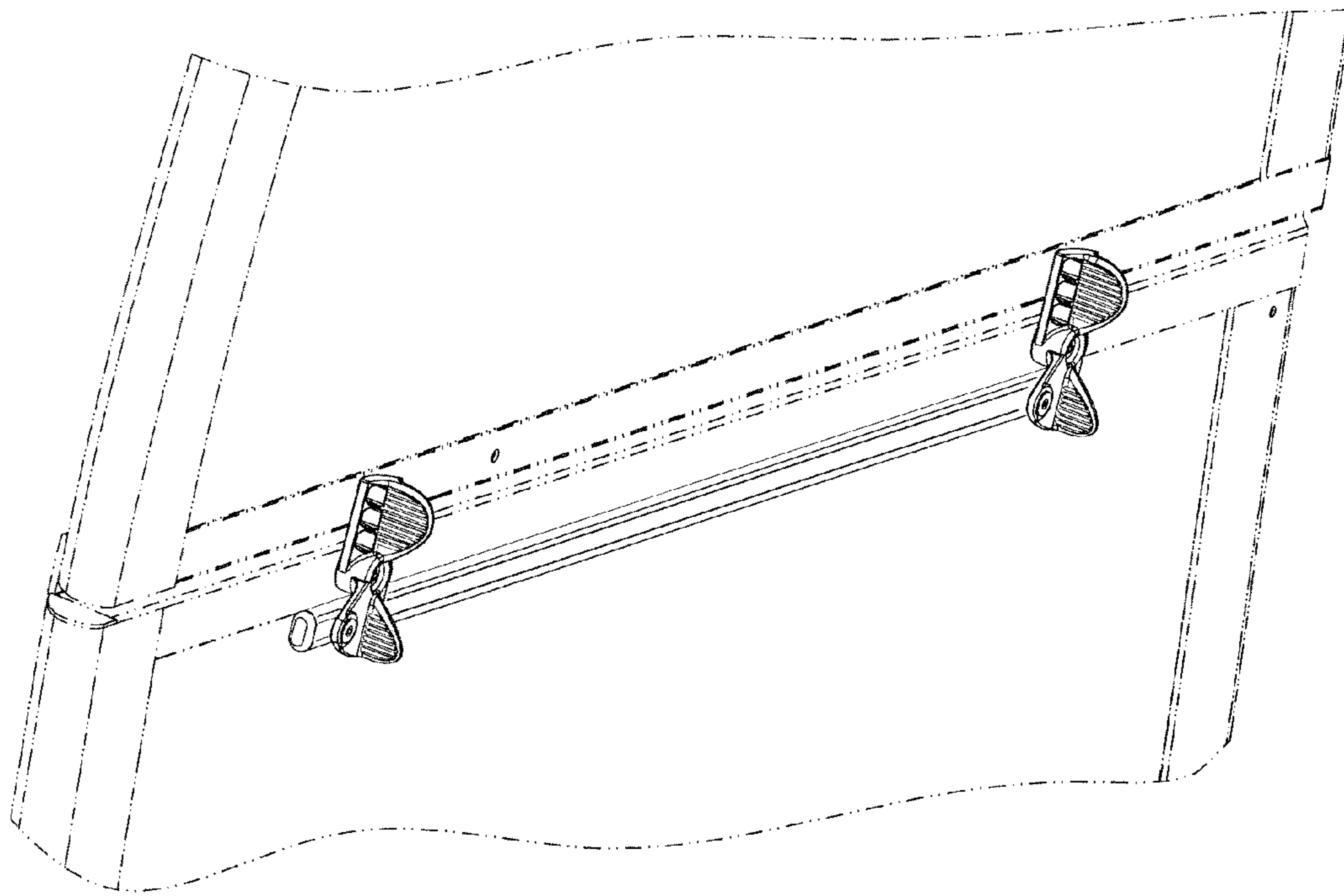


FIG. 9