



US00D574218S

(12) **United States Design Patent**
Jou

(10) **Patent No.:** **US D574,218 S**

(45) **Date of Patent:** **** Aug. 5, 2008**

(54) **CABINET PULL**

(75) **Inventor:** **Benjamin S. Jou**, Taichung (TW)

(73) **Assignee:** **Century Hardware, Inc.**, Taichung (TW)

(**) **Term:** **14 Years**

(21) **Appl. No.:** **29/284,417**

(22) **Filed:** **Sep. 7, 2007**

(51) **LOC (8) Cl.** **08-06**

(52) **U.S. Cl.** **D8/317**

(58) **Field of Classification Search** D8/300,
D8/302, 305, 311-321, DIG. 1, DIG. 2, DIG. 10;
D7/393, 394; D3/318; D6/549, 524, 533,
D6/550; D23/250-254, 303, 305; D15/89;
292/347, 336.3; 211/16, 182; 220/752-754;
16/441, 118, 110 R, 111 R, DIG. 19, DIG. 30,
16/110.1, 412, 414-420, 443-446

See application file for complete search history.

(56) **References Cited**

U.S. PATENT DOCUMENTS

D297,505 S *	9/1988	Mosch	D8/317
D327,196 S *	6/1992	Crook et al.	D6/549
D361,495 S *	8/1995	Warshawsky	D8/316
D368,843 S *	4/1996	Chieda	D8/317

D381,252 S *	7/1997	Chieda	D8/317
D388,272 S *	12/1997	Moore	D6/549
D399,406 S *	10/1998	Decursu et al.	D8/317
D423,854 S *	5/2000	Roth et al.	D6/549
D431,996 S *	10/2000	Short	D8/316
D435,426 S *	12/2000	Short	D8/316
D449,215 S *	10/2001	Bertani	D8/316
D468,145 S *	1/2003	Ouyoung	D6/549
D542,118 S *	5/2007	Fields	D8/317
D542,119 S *	5/2007	Ricereto	D8/317
D543,436 S *	5/2007	Ricereto	D8/316

* cited by examiner

Primary Examiner—Stella M. Reid

Assistant Examiner—Mark A Goodwin

(74) *Attorney, Agent, or Firm*—Price Heneveld Cooper Dewitt & Litton LLP

(57) **CLAIM**

I claim the ornamental design for cabinet pull, as shown.

DESCRIPTION

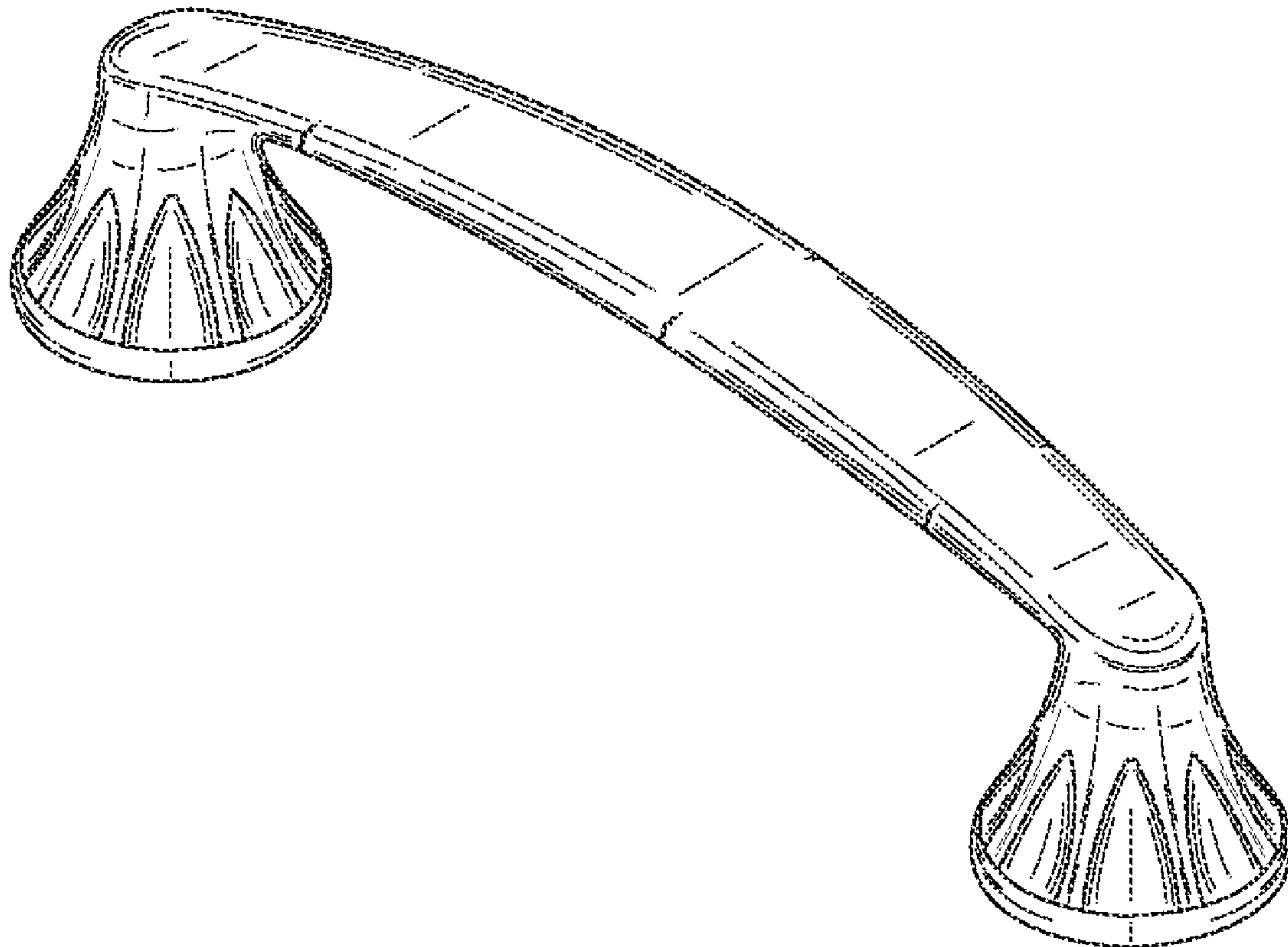
FIG. 1 is a top perspective view of a cabinet pull showing my new design;

FIG. 2 is a side view thereof;

FIG. 3 is an end view; and,

FIG. 4 is a top view thereof.

1 Claim, 1 Drawing Sheet



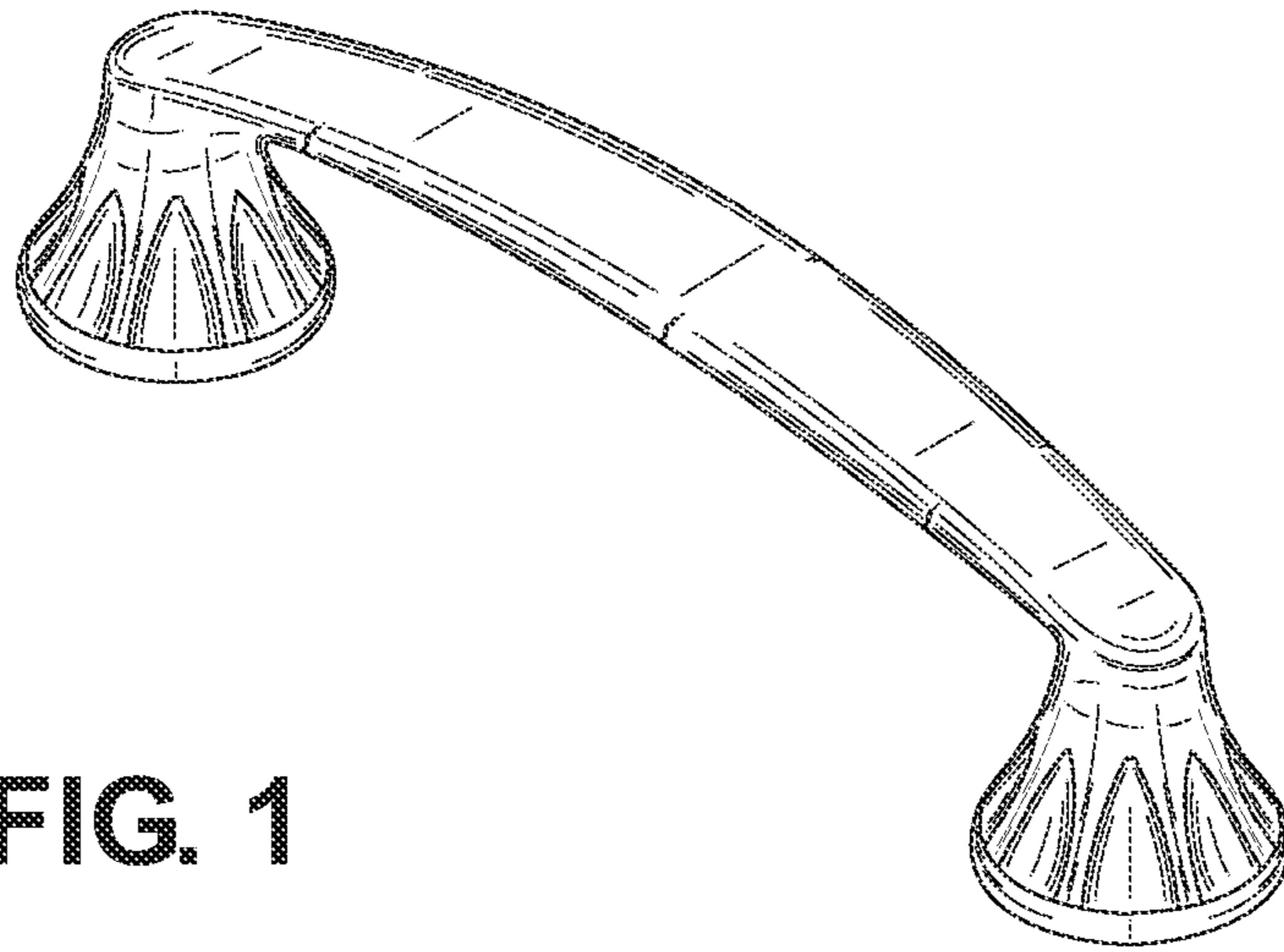


FIG. 1

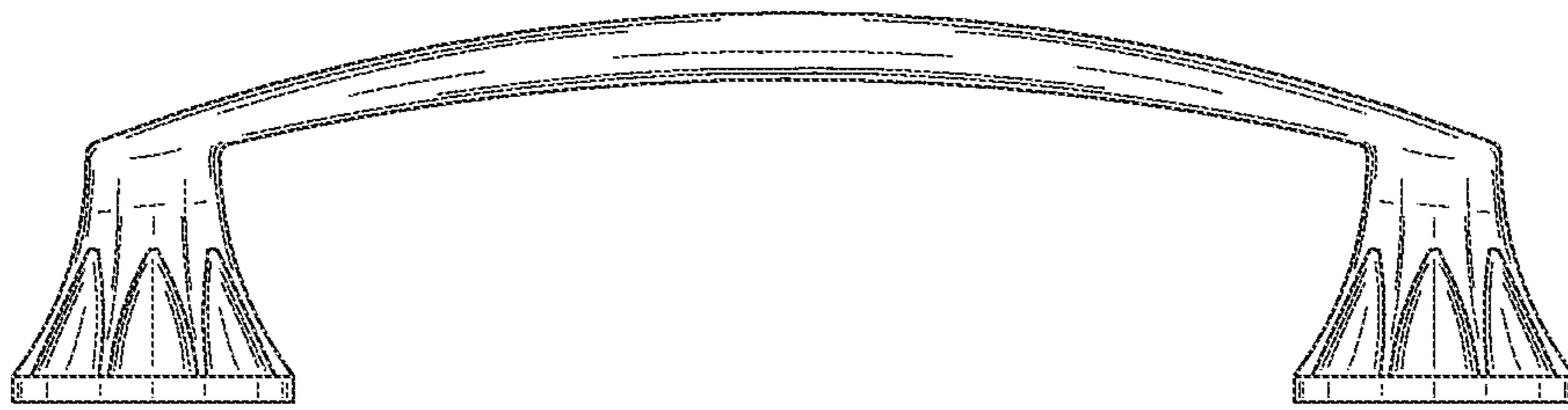


FIG. 2

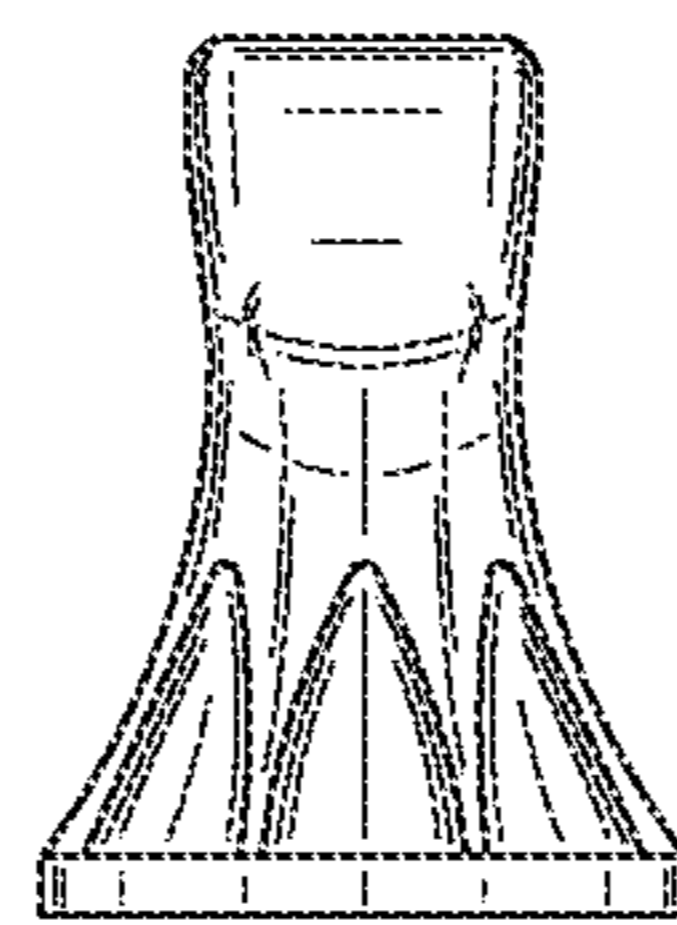


FIG. 3

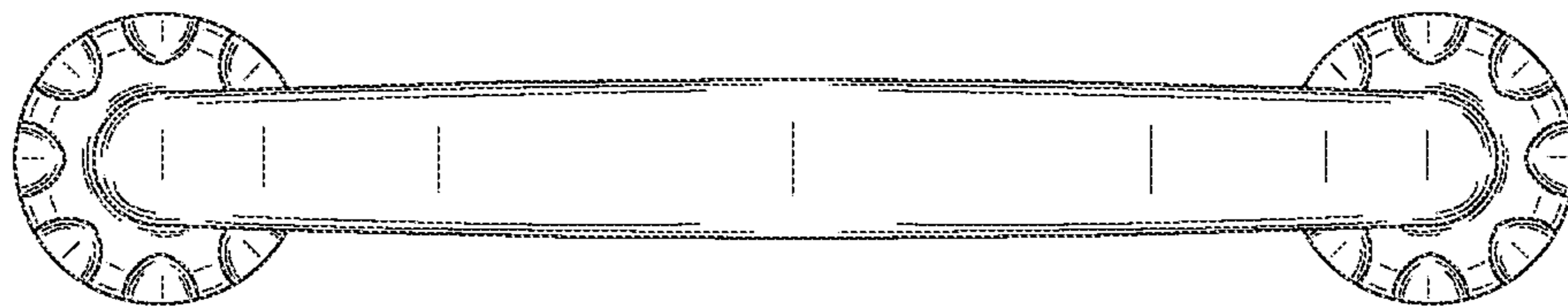


FIG. 4