



US00D574214S

(12) **United States Design Patent**
Daniels

(10) **Patent No.:** **US D574,214 S**

(45) **Date of Patent:** **** Aug. 5, 2008**

(54) **KNOB**

(75) Inventor: **James L. Daniels**, Stokesdale, NC (US)

(73) Assignee: **Liberty Hardware Mfg. Corp.**,
Winston-Salem, NC (US)

(**) Term: **14 Years**

(21) Appl. No.: **29/288,537**

(22) Filed: **Jun. 14, 2007**

(51) **LOC (8) Cl.** **08-06**

(52) **U.S. Cl.** **D8/307; D8/305; D8/310**

(58) **Field of Classification Search** D8/300,
D8/305, 307, 310-312, DIG. 1, DIG. 2, 314,
D8/318; D23/250-254; 16/110.1, 121, 412,
16/417, 414, 415, 442, 441, 443; D99/11;
D6/578, 580

See application file for complete search history.

(56) **References Cited**

U.S. PATENT DOCUMENTS

D21,769 S *	8/1892	Christesen	D8/305
D51,961 S *	4/1918	Healey	D8/307
D110,213 S *	6/1938	Hazenber	D8/314
D189,126 S *	11/1960	Maffei	D8/307
D197,960 S *	4/1964	Fullerton	D8/307
D204,599 S *	5/1966	Adams	D8/305

D204,741 S *	5/1966	Adams	D8/305
D204,870 S *	5/1966	Adams	D8/305
D209,737 S *	1/1968	Loeb	D8/318
D470,740 S *	2/2003	Fields	D8/310
D471,073 S *	3/2003	Fields	D8/310
D541,130 S *	4/2007	Fields	D8/310

* cited by examiner

Primary Examiner—Paula A Greene

(74) *Attorney, Agent, or Firm*—Edgar A. Zarins; Lloyd D. Doigan

(57) **CLAIM**

The ornamental design for a knob, as shown and described.

DESCRIPTION

FIG. 1 is a perspective view of a knob showing my new design, the undisclosed bottom is not part of the claimed design;

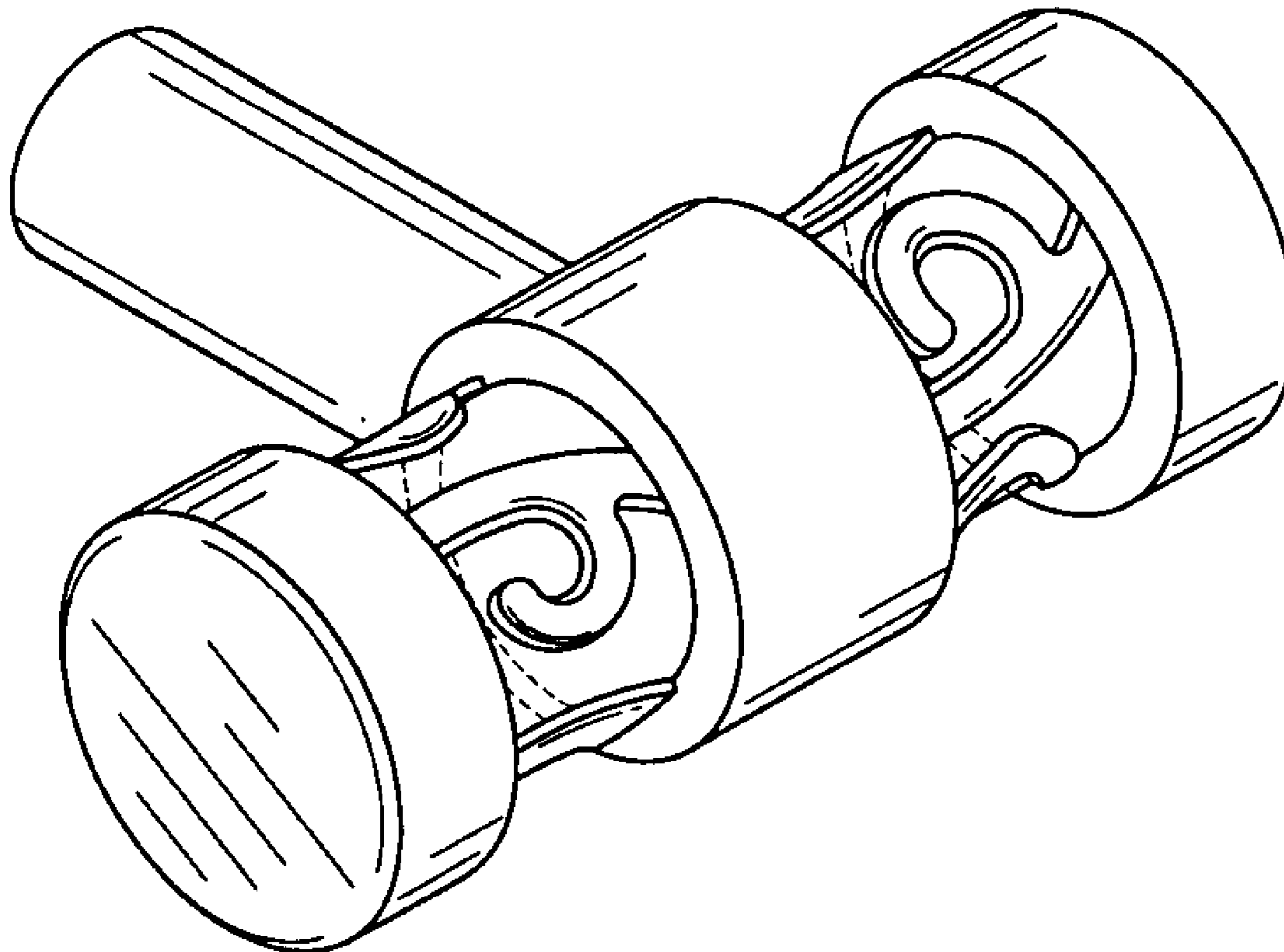
FIG. 2 is a front elevational view thereof;

FIG. 3 is a side view thereof, the opposite side being a mirror image of the side shown; and,

FIG. 4 is an end view thereof, the opposite end being a mirror image of the end shown.

The broken lines are included for the purpose of illustration and form no part of the claimed design.

1 Claim, 1 Drawing Sheet



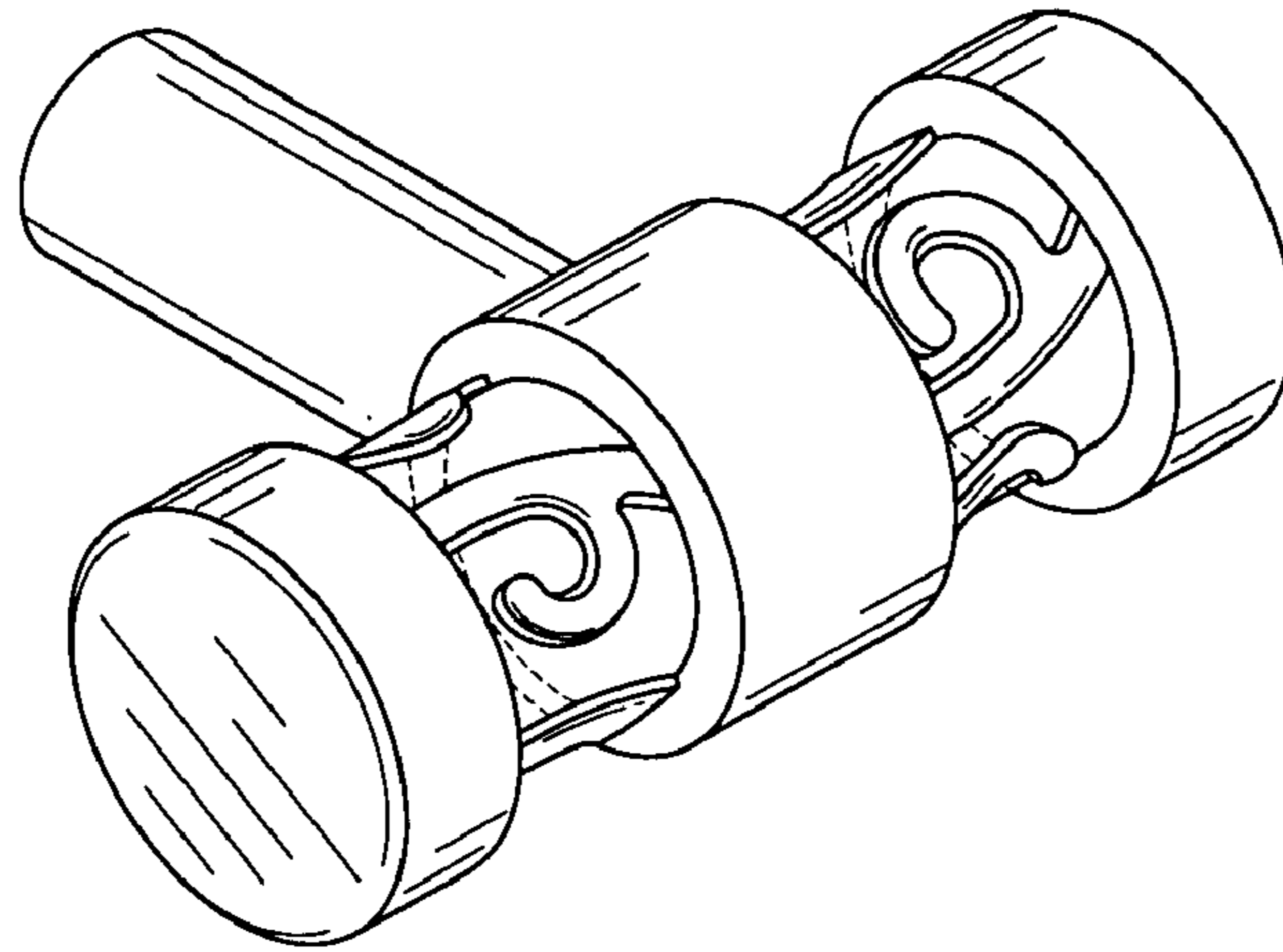


Fig-1

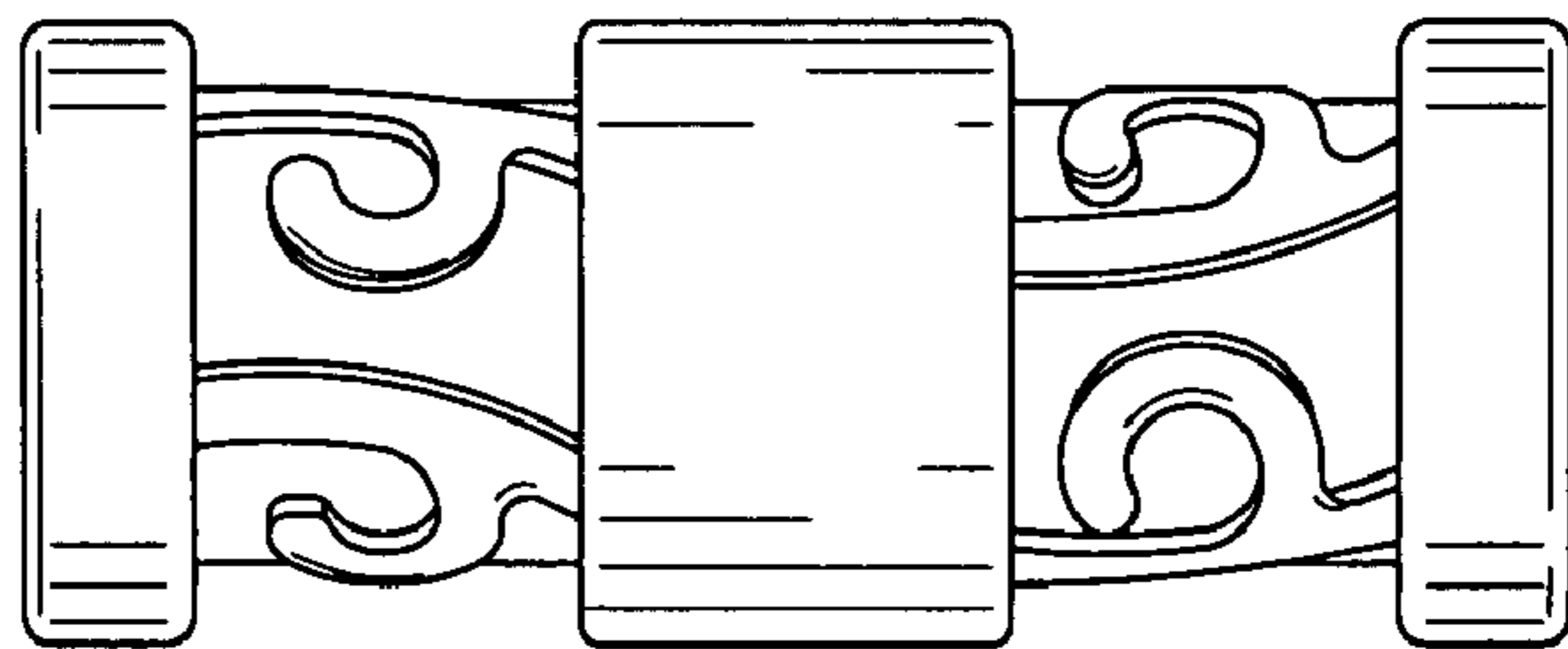


Fig-2

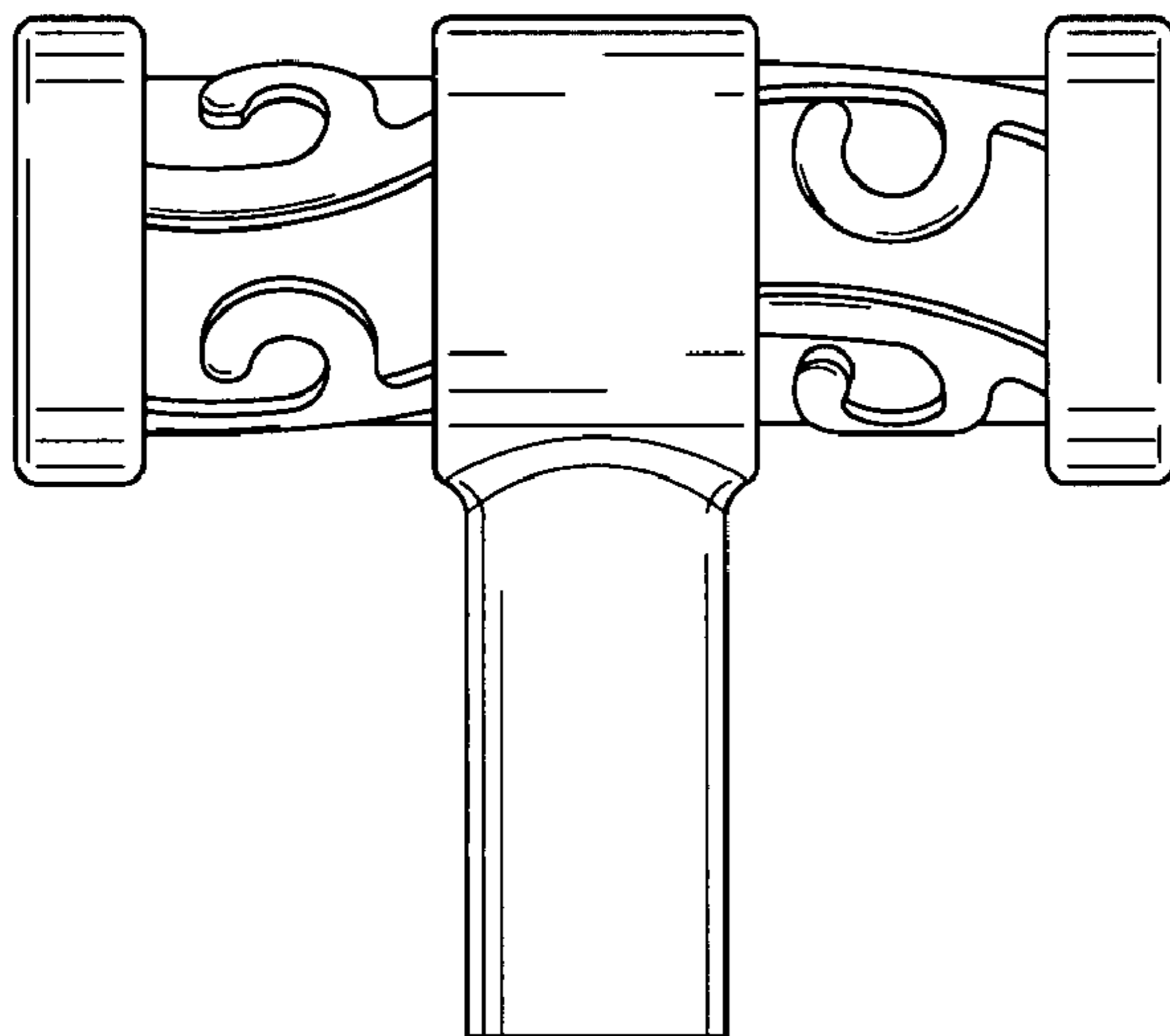


Fig-3

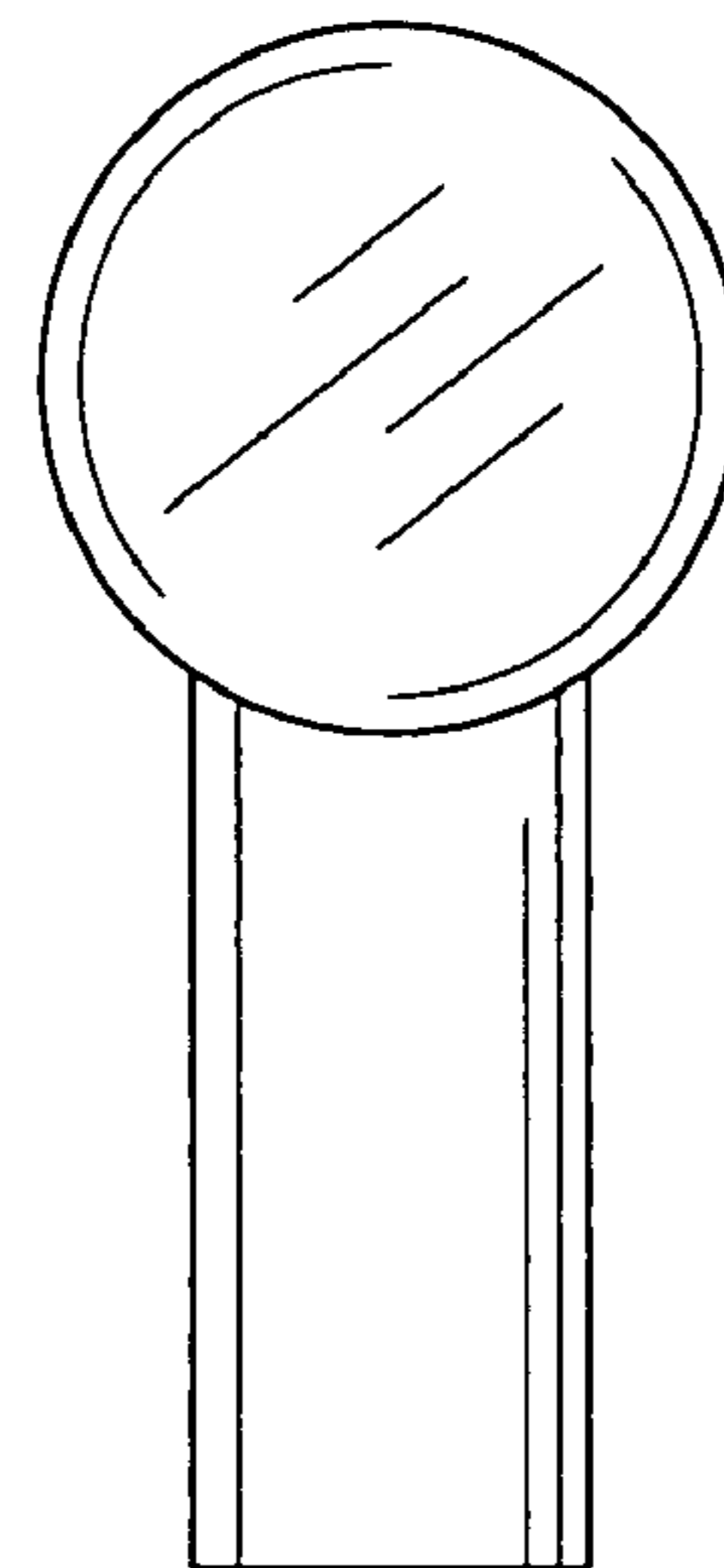


Fig-4