

US00D574207S

(12) **United States Design Patent**
Arnesson et al.

(10) **Patent No.:** **US D574,207 S**
(45) **Date of Patent:** **** Aug. 5, 2008**

(54) **CHAIN SAW BODY**

(75) Inventors: **Carl-Johan Arnesson**, Gränna (SE);
Peter Björkman, Nässjö (SE); **Fredrik Cederholm**, Huskvarna (SE);
Margareta Eriksson, Jönköping (SE);
Kenneth Karlsson, Hyssna (SE); **Stefan Kullberg**, Jönköping (SE); **Johan Wahlström**, Tenhult (SE); **Per Viktorsson**, Huskvarna (SE)

(73) Assignee: **Husqvarna AB**, Huskvarna (SE)

(**) Term: **14 Years**

(21) Appl. No.: **29/275,290**

(22) Filed: **Dec. 20, 2006**

(30) **Foreign Application Priority Data**

Jun. 26, 2006 (EM) 000550553-0001

(51) **LOC (8) Cl.** **08-03**

(52) **U.S. Cl.** **D8/65**

(58) **Field of Classification Search** D8/7,

D8/8, 9, 68, 70, 65, 66, 67, 62, 63, 64, 61;

30/386, 383, 382, 371, 123; 125/21

See application file for complete search history.

(56) **References Cited**

U.S. PATENT DOCUMENTS

4,534,005 A * 8/1985 Nagashima et al. 700/282
4,630,372 A * 12/1986 Nagashima 30/381
4,654,970 A * 4/1987 Nagashima 30/383
4,662,071 A * 5/1987 Hoppner et al. 30/381
H378 H * 12/1987 Matsumoto 30/382
4,819,332 A * 4/1989 Sugihara et al. 30/123.4
D320,728 S * 10/1991 Arvidsson D8/65
5,070,618 A * 12/1991 Edlund 30/386
D361,251 S * 8/1995 Griffin D8/65

D364,326 S * 11/1995 Lohse et al. D8/65
5,485,814 A * 1/1996 Tuggle et al. 123/179.5
D377,441 S * 1/1997 Hoppner et al. D8/65
5,666,734 A * 9/1997 Morrison 30/387
D386,958 S * 12/1997 Karlsson et al. D8/65
D412,652 S * 8/1999 Durr et al. D8/65
5,992,025 A * 11/1999 Fricke 30/381
6,016,604 A * 1/2000 Wolf et al. 30/383
6,637,117 B2 * 10/2003 Kobayashi 30/381
6,842,987 B1 * 1/2005 Martinsson et al. 30/382
6,944,957 B2 * 9/2005 Donnerdal et al. 30/386
2002/0073558 A1 * 6/2002 Tajima et al. 30/381
2003/0051351 A1 * 3/2003 Buchholtz et al. 30/383
2004/0016133 A1 * 1/2004 Gorenflo et al. 30/383
2004/0103857 A1 * 6/2004 Kruse 123/1 R

* cited by examiner

Primary Examiner—Cathron Brooks

Assistant Examiner—Austin Murphy

(74) *Attorney, Agent, or Firm*—Pearne & Gordon LLP

(57) **CLAIM**

The ornamental design for a chain saw body, as shown and described.

DESCRIPTION

FIG. 1 is a perspective view of our new design of a chain saw body viewed;

FIG. 2 is a first side elevation view of the chain saw body;

FIG. 3 is a second side elevation view of the chain saw body;

FIG. 4 is a rear view of the chain saw body;

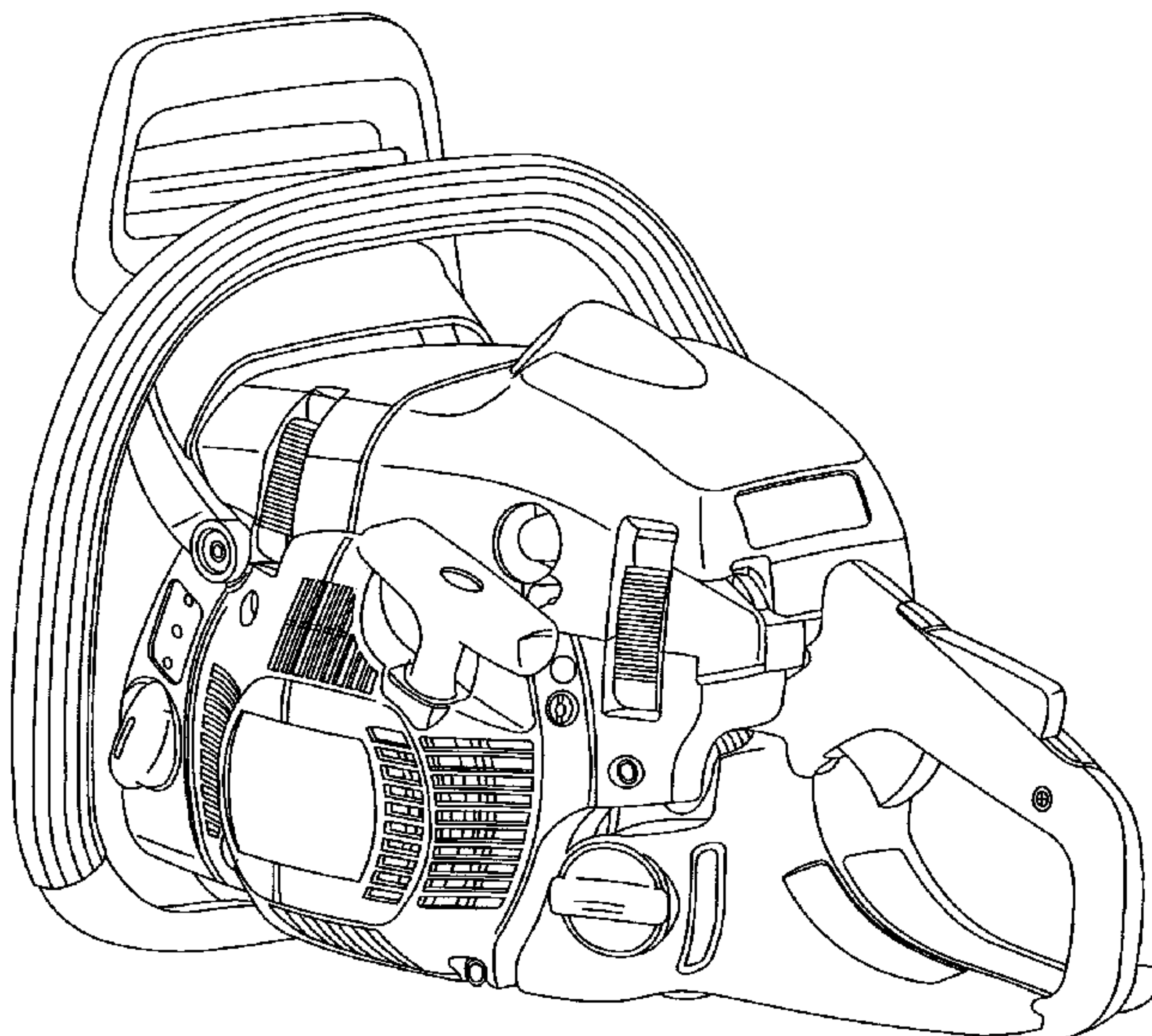
FIG. 5 is a front view of the chain saw body;

FIG. 6 is a top view of the chain saw body; and,

FIG. 7 is a bottom view of the chain saw body.

The broken line showing of the elements of the chain saw body forms no part of the claimed design.

1 Claim, 7 Drawing Sheets



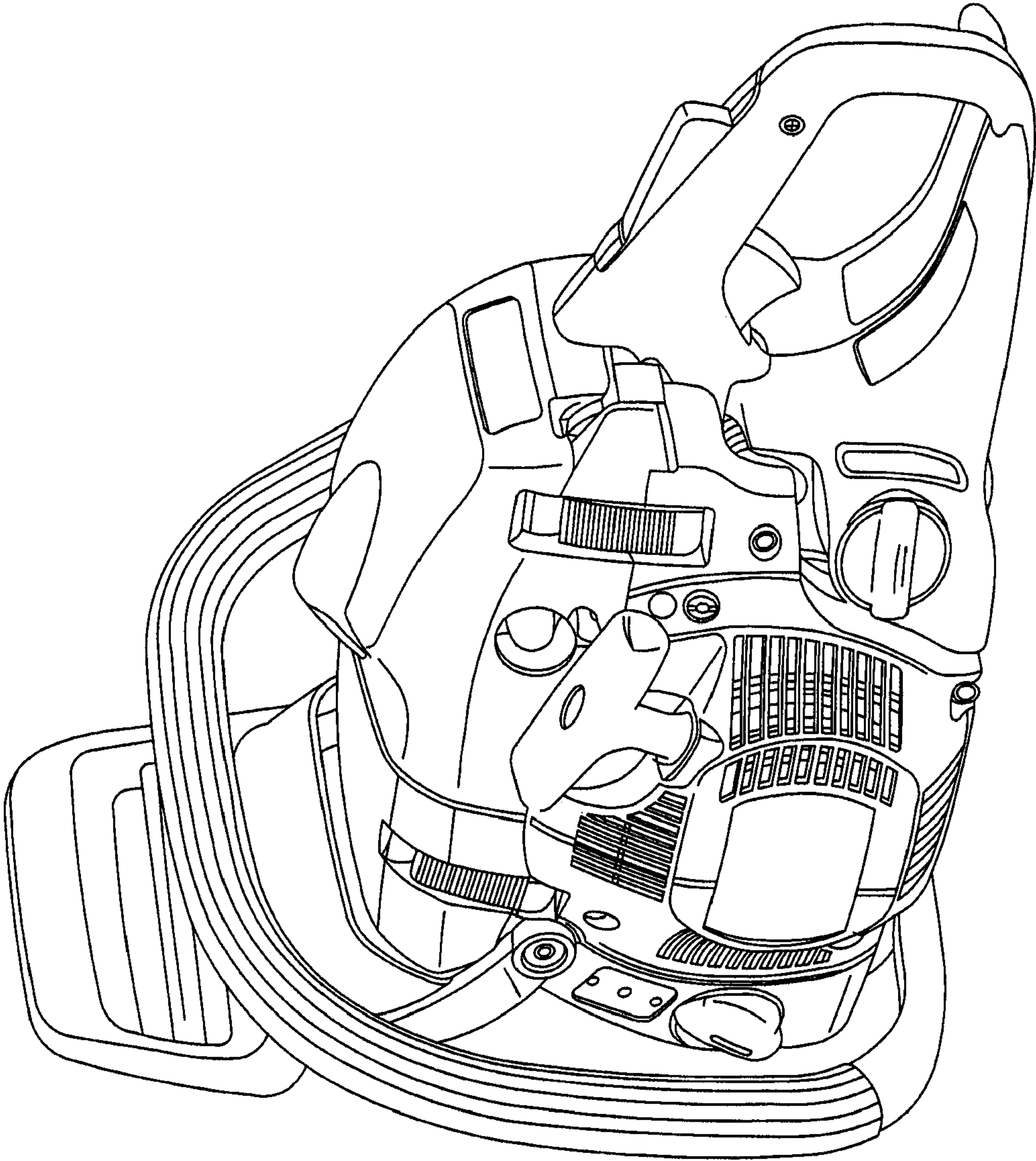


Fig.1

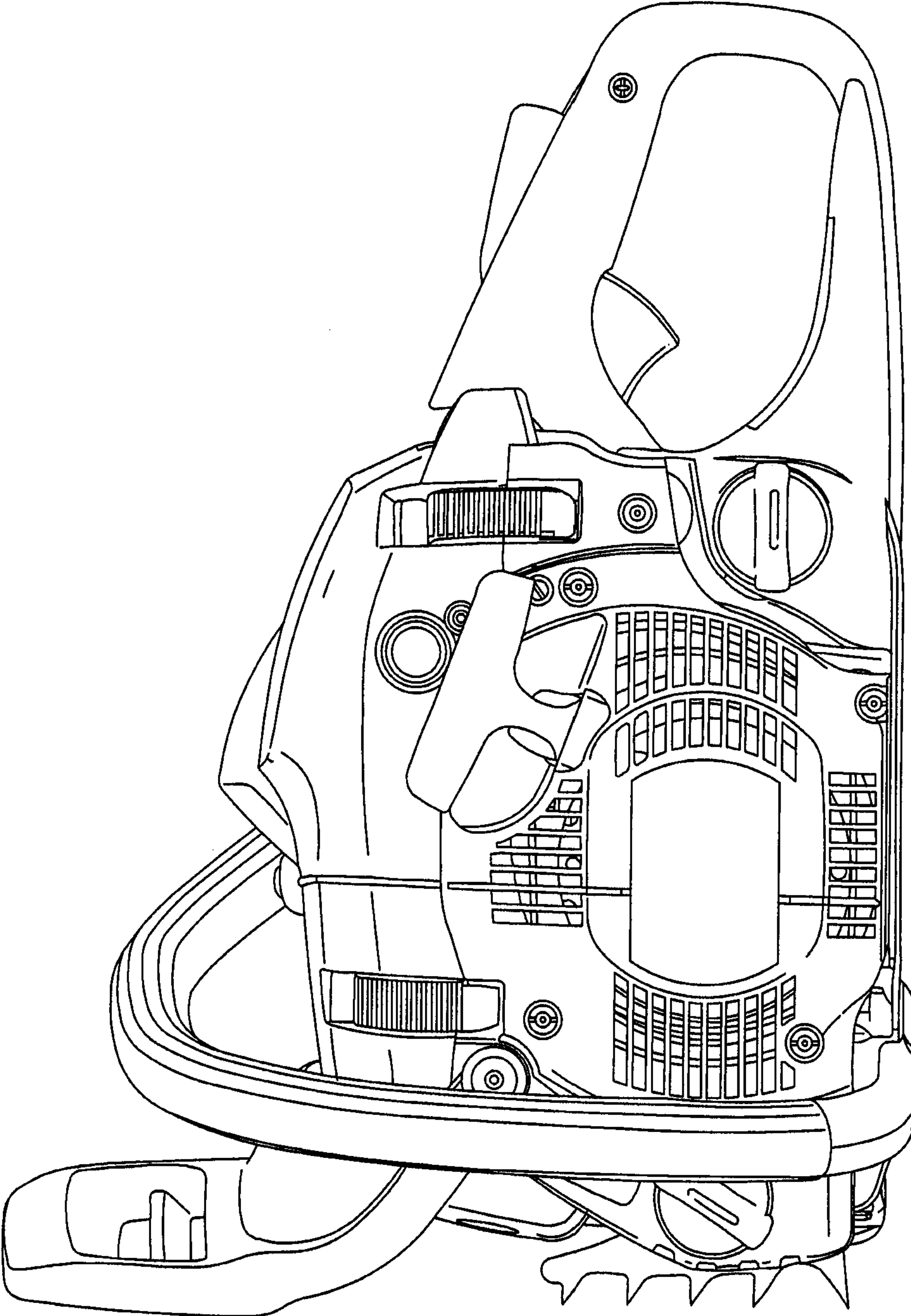


Fig. 2

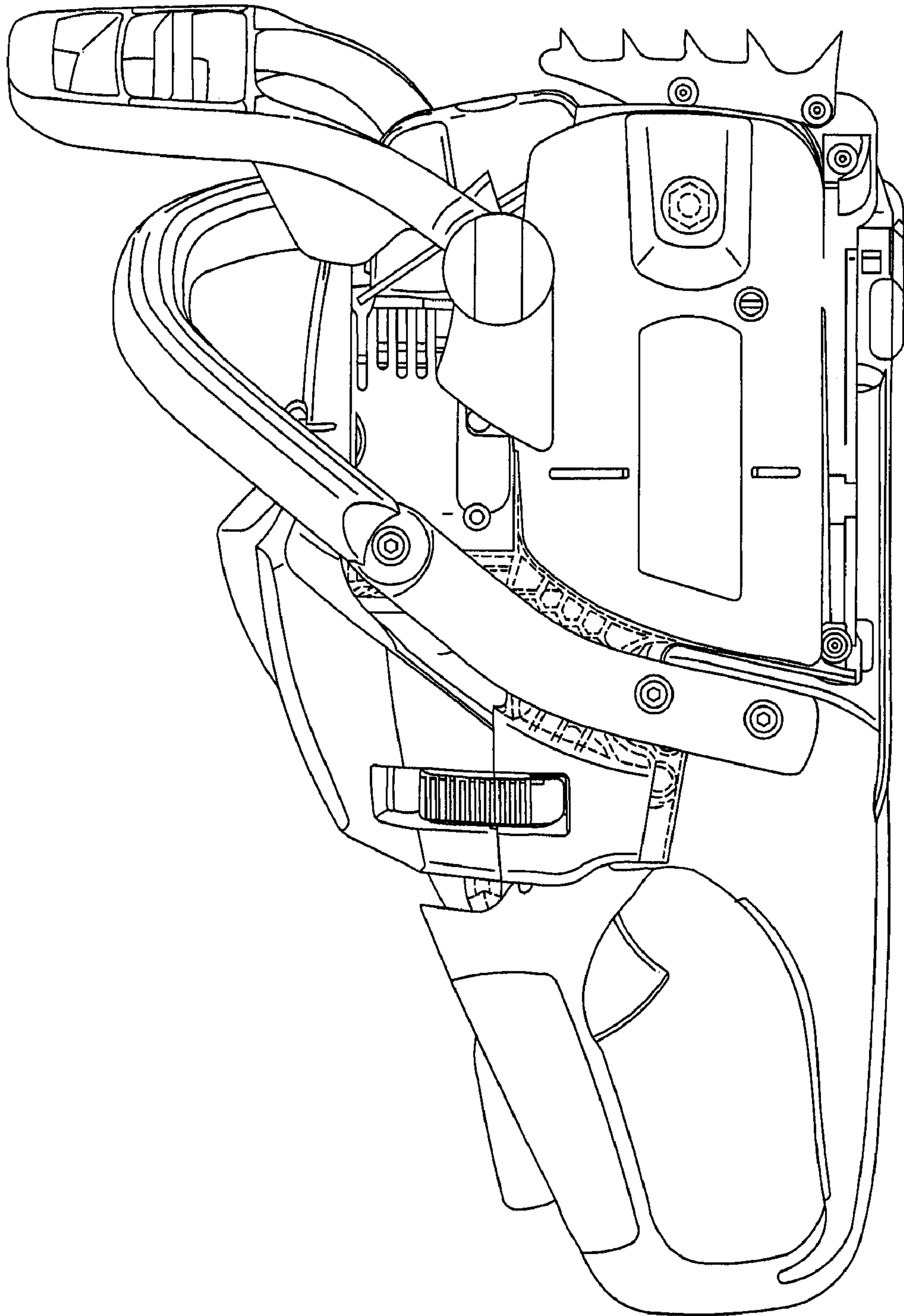


Fig.3

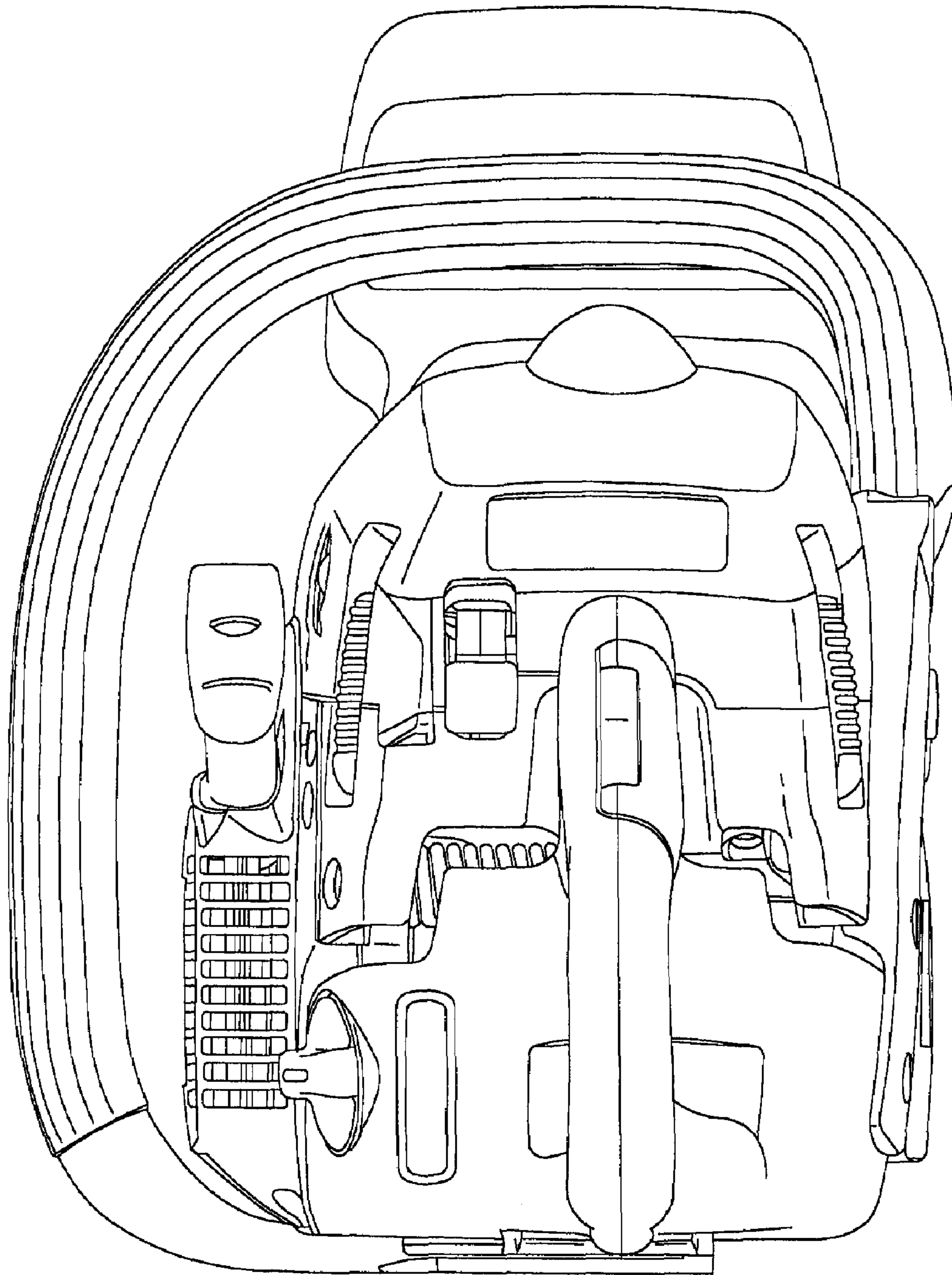


Fig.4

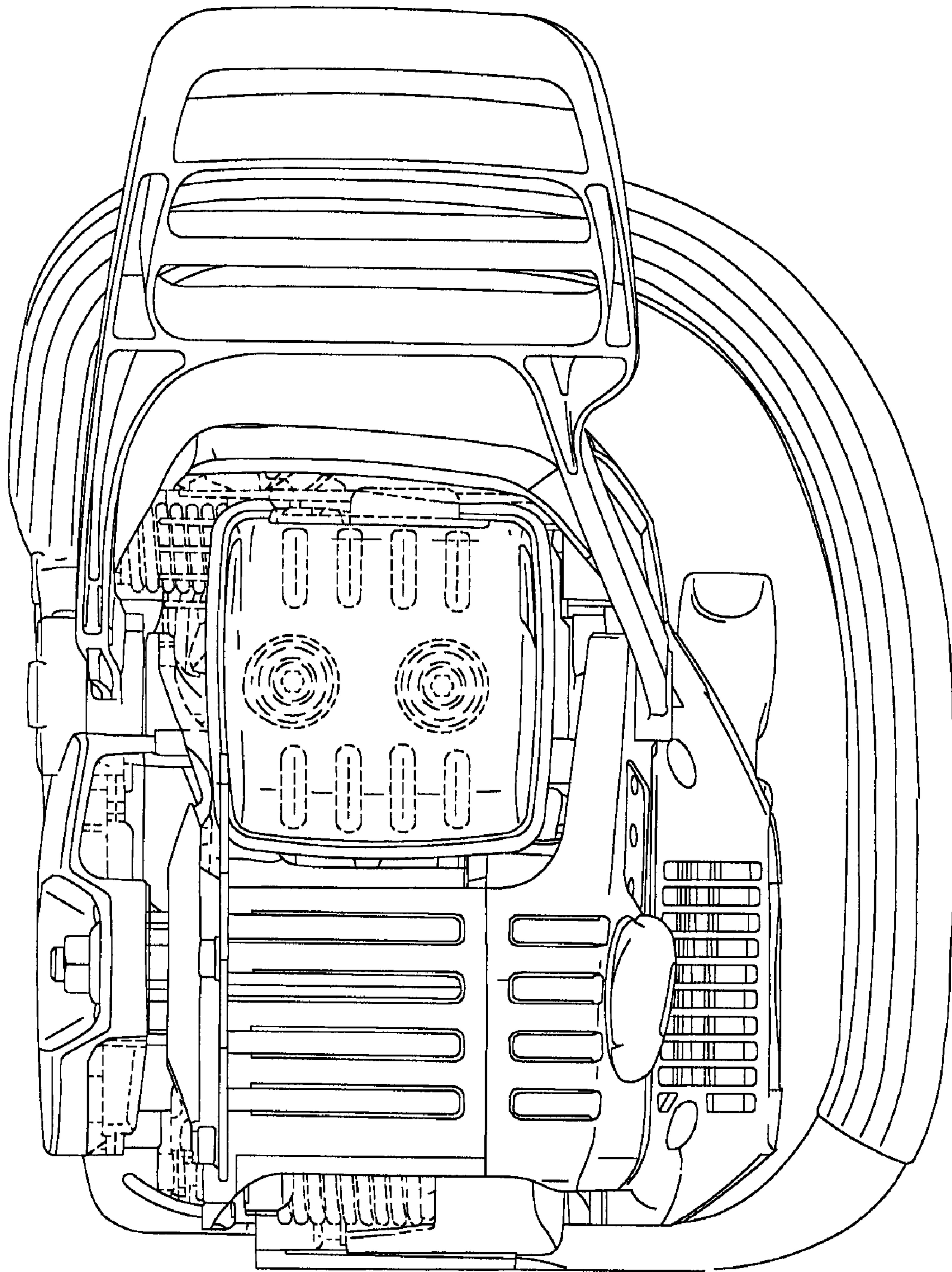


Fig.5

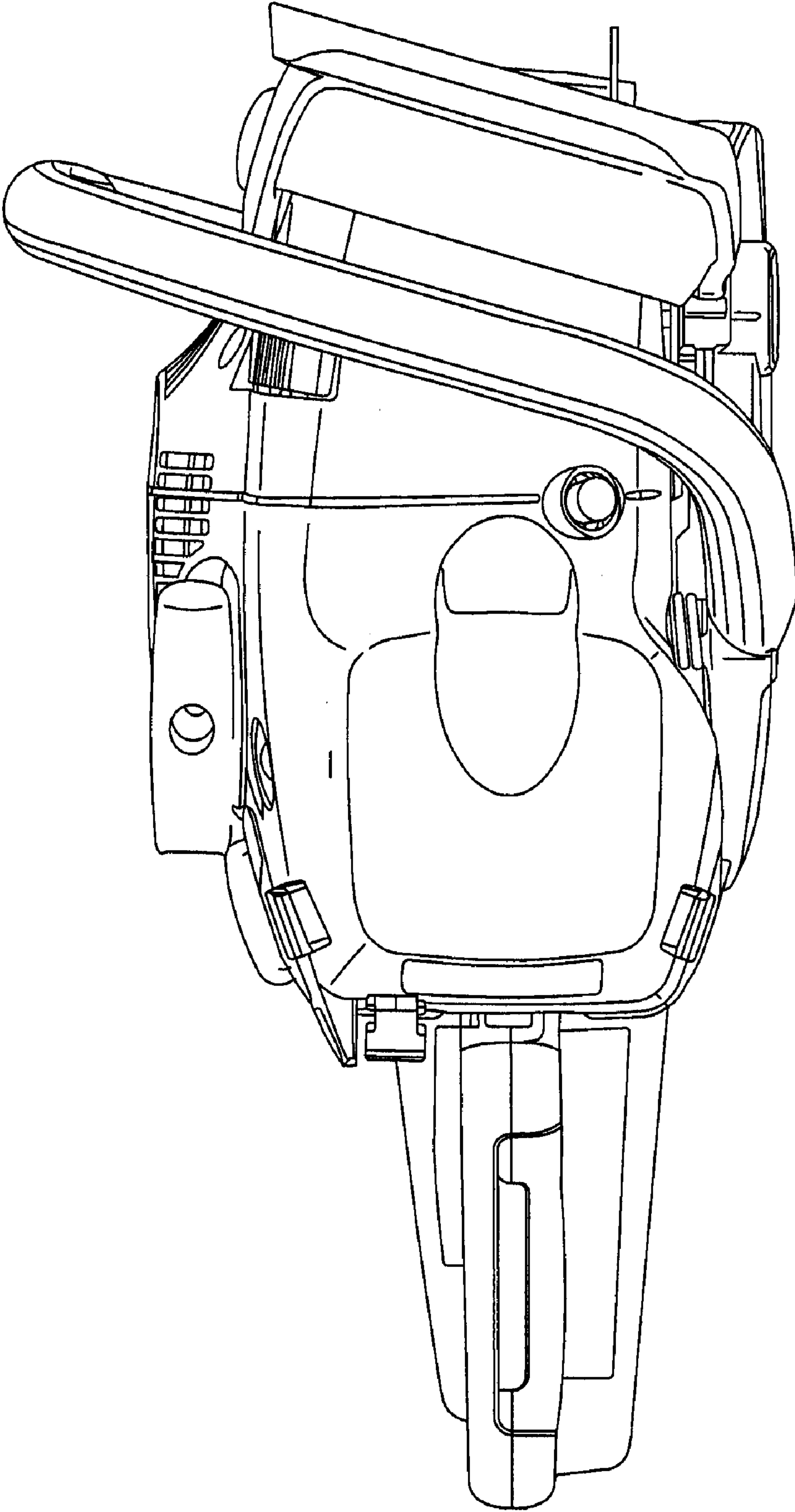


Fig.6

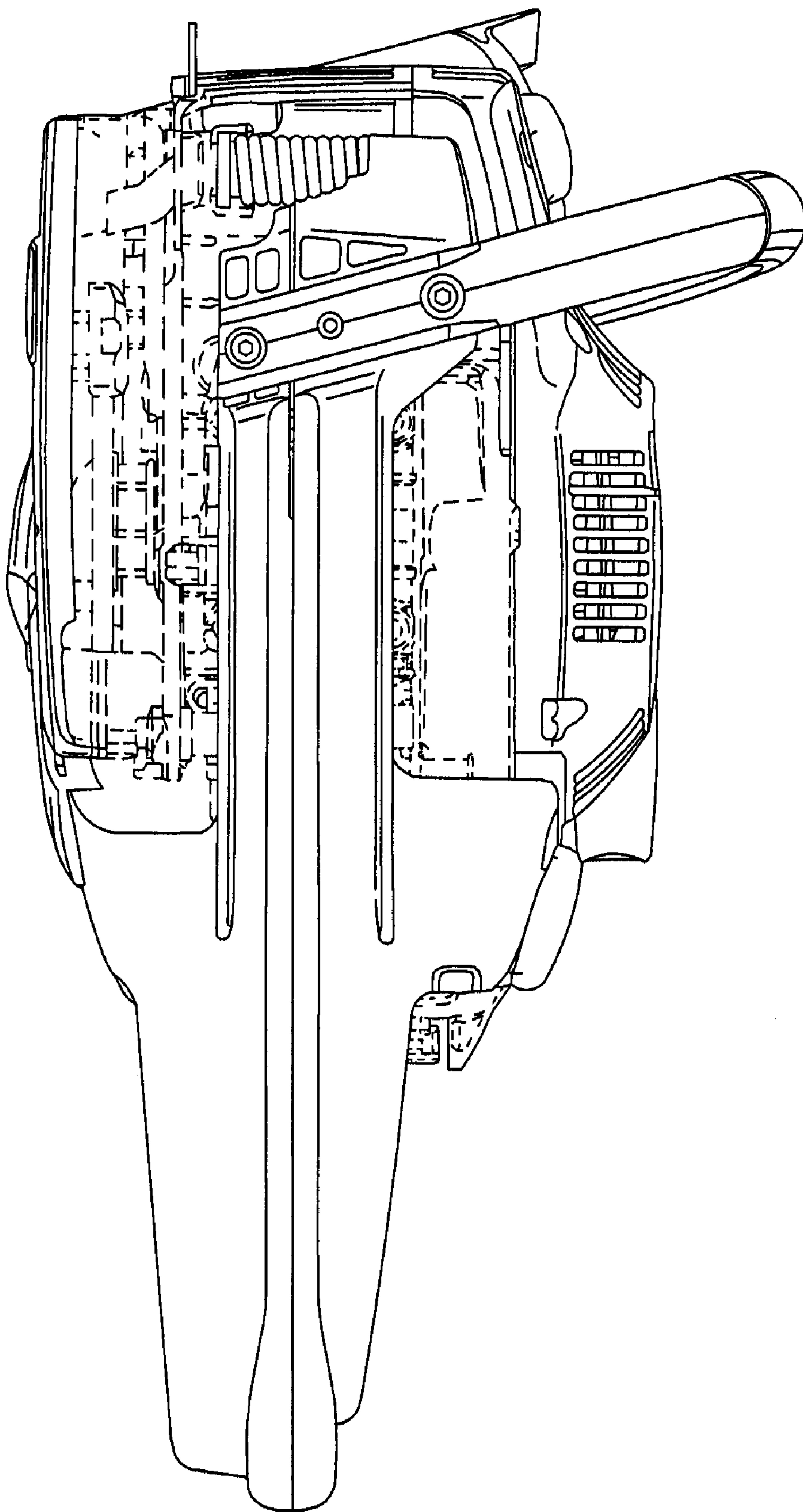


Fig. 7