



US00D574203S

(12) **United States Design Patent**
Quorning

(10) **Patent No.:** **US D574,203 S**

(45) **Date of Patent:** **** Aug. 5, 2008**

(54) **SOCKET**

(75) Inventor: **Eric Quorning**, Haderslev (DK)

(73) Assignee: **BSI. A/S** (DK)

(**) Term: **14 Years**

(21) Appl. No.: **29/295,674**

(22) Filed: **Oct. 3, 2007**

Related U.S. Application Data

(62) Division of application No. 29/233,939, filed on Jul. 12, 2005, now Pat. No. Des. 560,985.

(30) **Foreign Application Priority Data**

Jan. 14, 2005 (DK) DA 2005 00010
Jan. 18, 2005 (DK) DA 2005 00016

(51) **LOC (8) Cl.** **08-05**

(52) **U.S. Cl.** **D8/29**

(58) **Field of Classification Search** D8/21-29,
D8/81-87, 102-107, 98, 99, 55, 93, 94; 81/60-63.2,
81/177.1, 177.85, 177.8, 489, 125.1, 121.1,
81/119-120, 176.1, 186, 177.9, 185.1, 176.2,
81/165, 170, 3.35, 58, 3.345, 155; 206/378;
16/429, 441, 124.6; 7/100, 138, 168, 157
See application file for complete search history.

(56) **References Cited**

U.S. PATENT DOCUMENTS

4,459,716 A * 7/1984 Valadez 7/100
D297,501 S * 9/1988 Bayer D8/29
4,800,786 A * 1/1989 Arnold et al. 81/121.1
5,199,330 A 4/1993 Arnold et al. 81/63.2
5,471,899 A 12/1995 Twomlow 81/60

5,913,954 A 6/1999 Arnold et al. 81/63.2
6,053,077 A 4/2000 Huang 81/63.1
D433,296 S * 11/2000 Yamakawa D8/29
D436,513 S * 1/2001 Yamakawa D8/86
D439,481 S * 3/2001 Lin D8/29
D471,411 S 3/2003 Hu D8/25
6,532,846 B2 3/2003 Lin 81/177.2
2002/0017172 A1 2/2002 Lin 81/177.2
2004/0020331 A1 2/2004 Lee 81/177.2
2007/0074351 A1* 4/2007 Chmelar 7/165

* cited by examiner

Primary Examiner—Raphael Barkai

Assistant Examiner—Randall H Gholson

(74) *Attorney, Agent, or Firm*—St. Onge Steward Johnston & Reens LLC

(57) **CLAIM**

The ornamental design for socket, as shown and described.

DESCRIPTION

FIG. 1 is a top plan view of a socket in accordance with the new design;

FIG. 2 is a right side view thereof;

FIG. 3 is a bottom view thereof;

FIG. 4 is a left side view thereof;

FIG. 5 is a front view thereof;

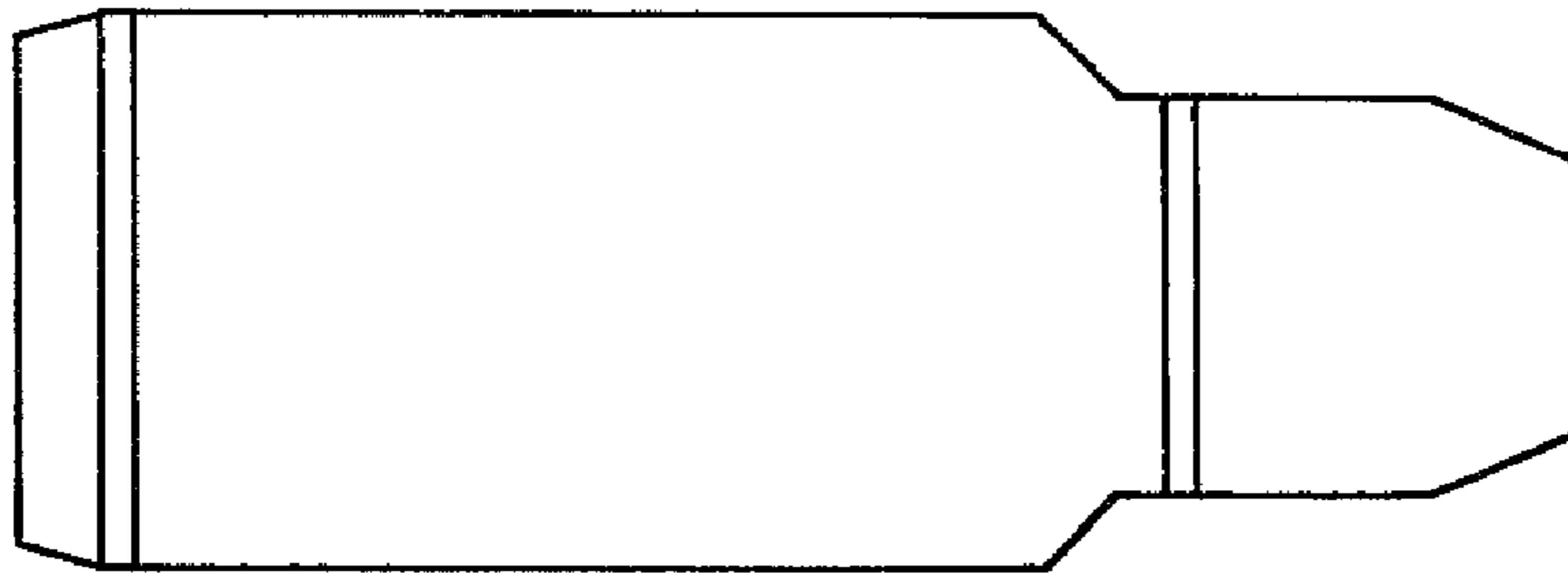
FIG. 6 is a rear view thereof;

FIG. 7 is a front perspective view thereof; and,

FIG. 8 is a rear perspective view thereof.

The broken lines shown are included for the purpose of illustration and form no part of the claimed design.

1 Claim, 2 Drawing Sheets



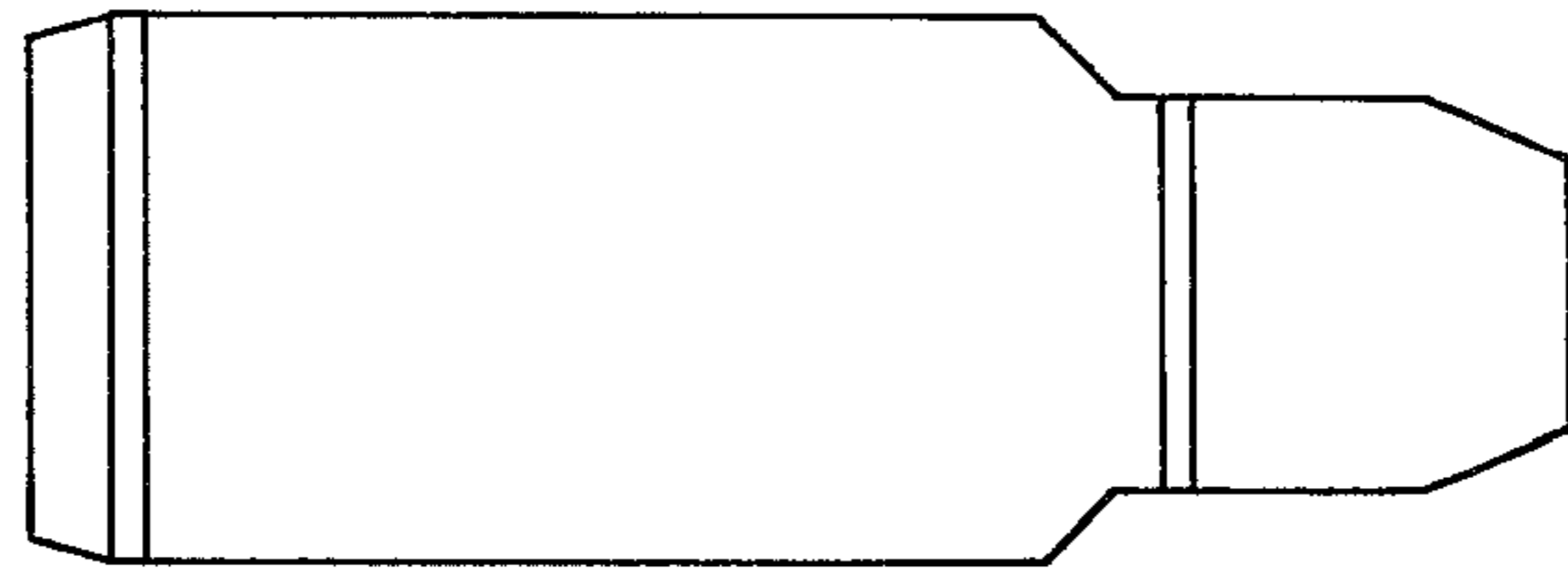


FIG. 1

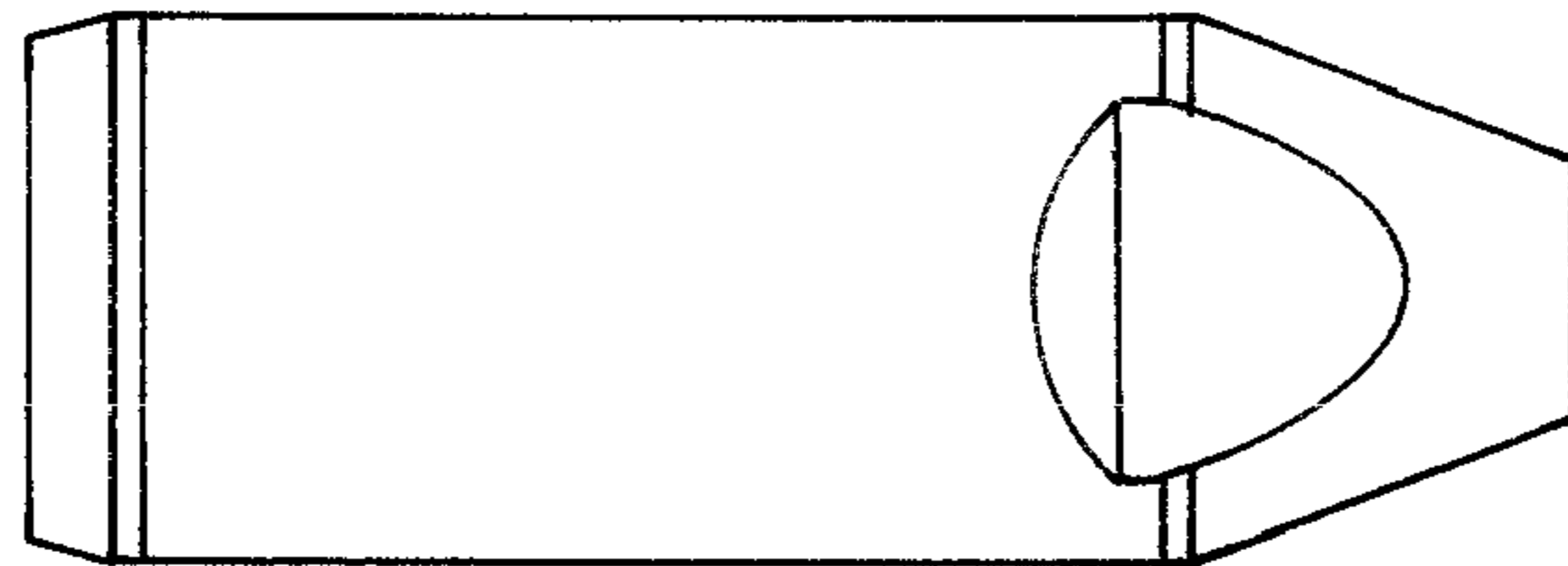


FIG. 2

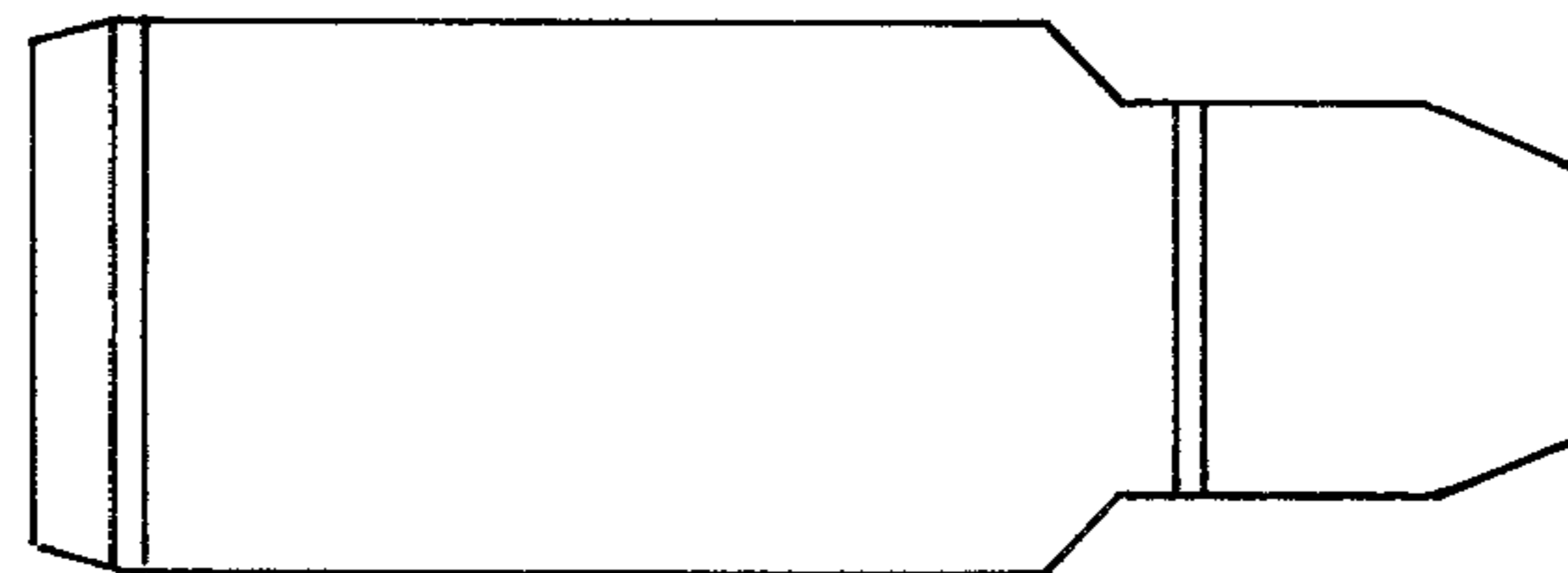


FIG. 3

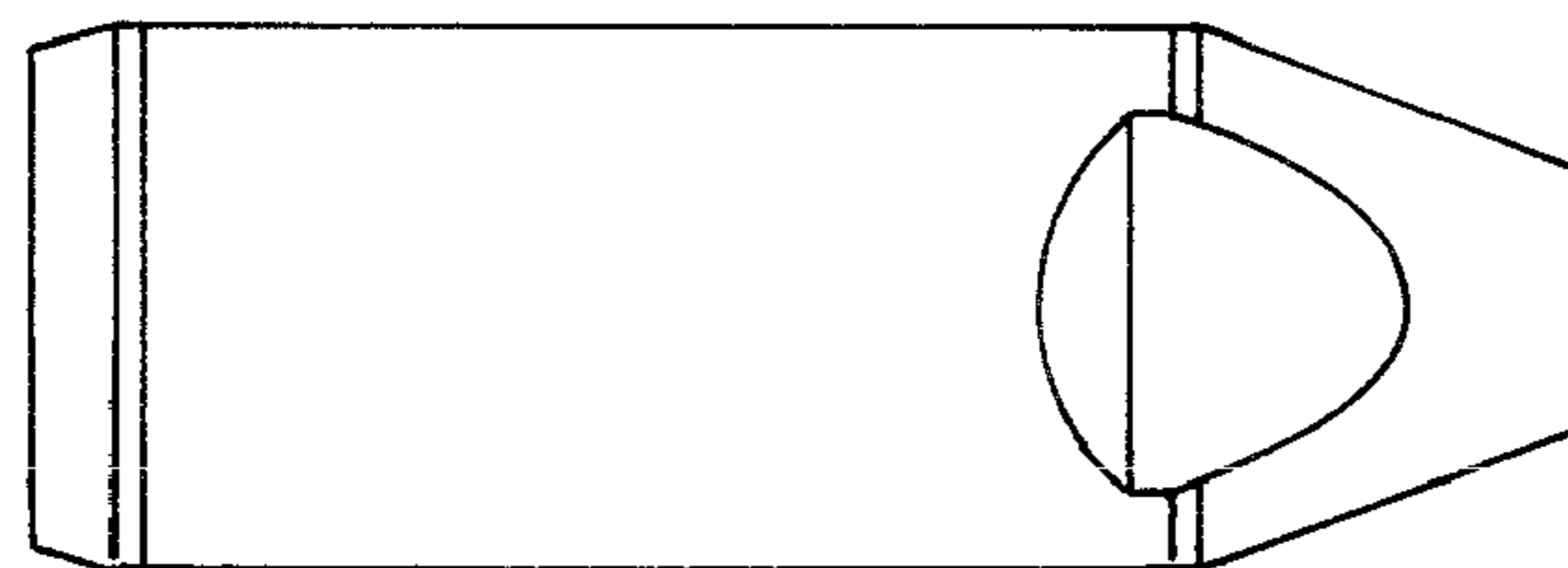


FIG. 4

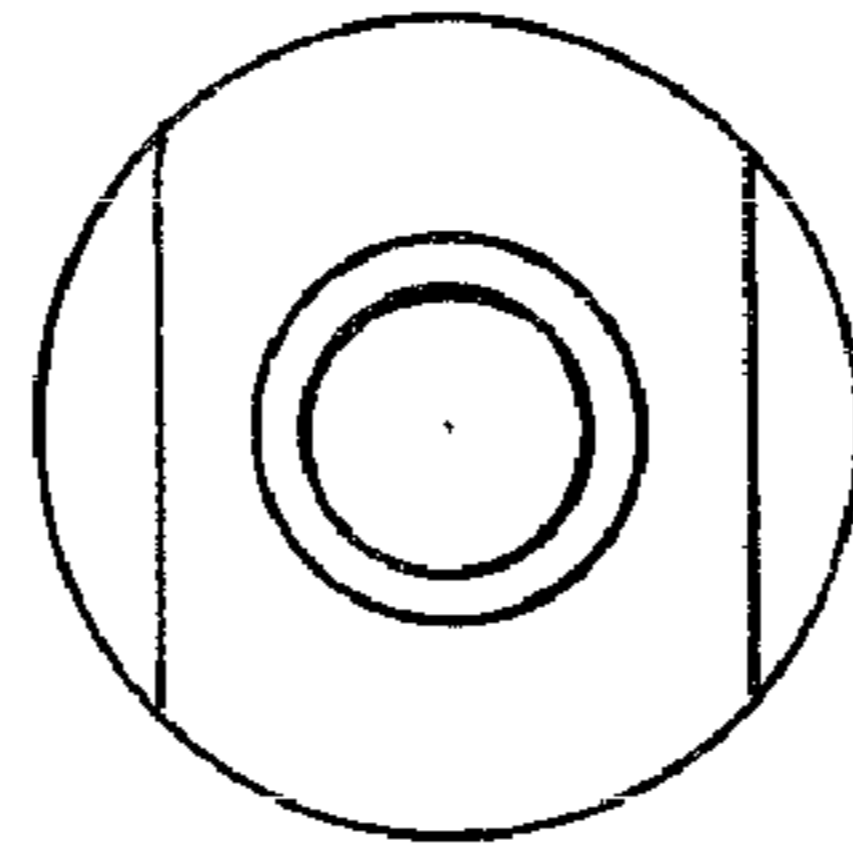


FIG. 5

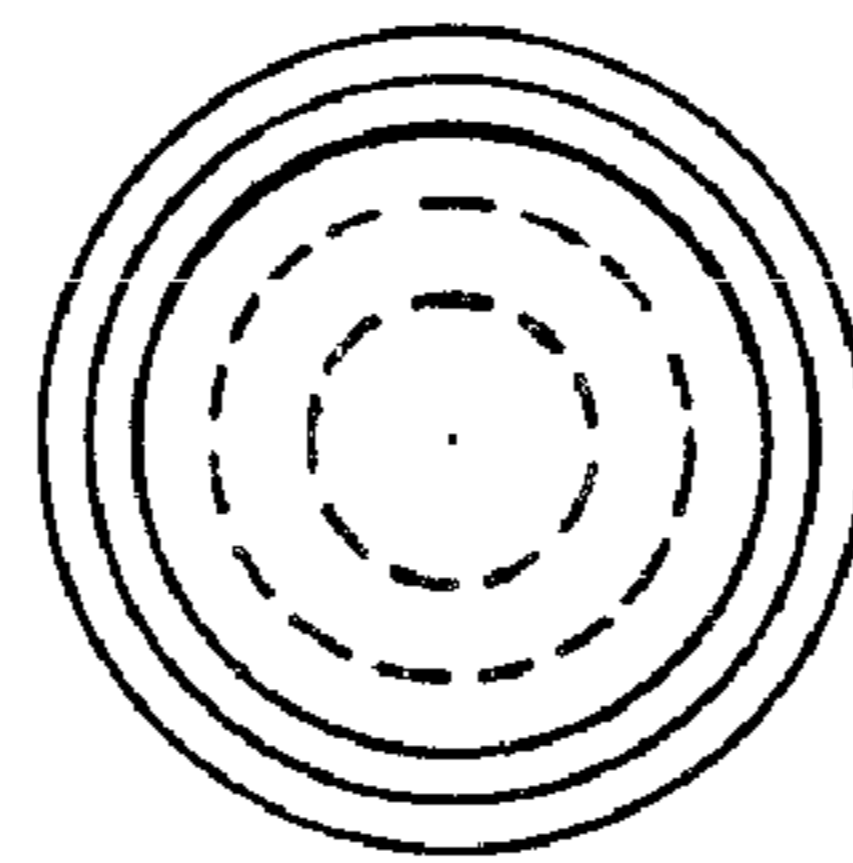


FIG. 6

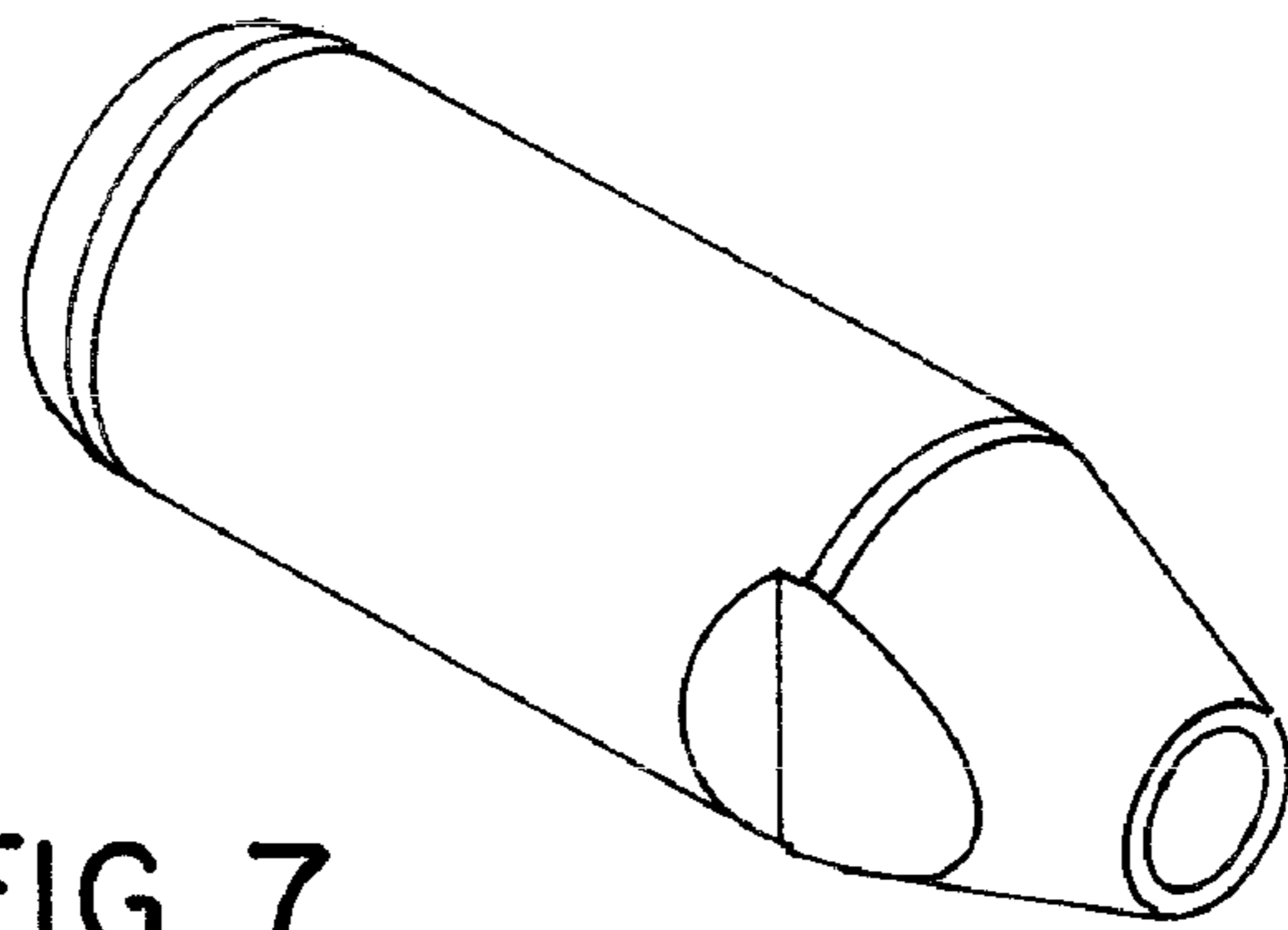


FIG. 7

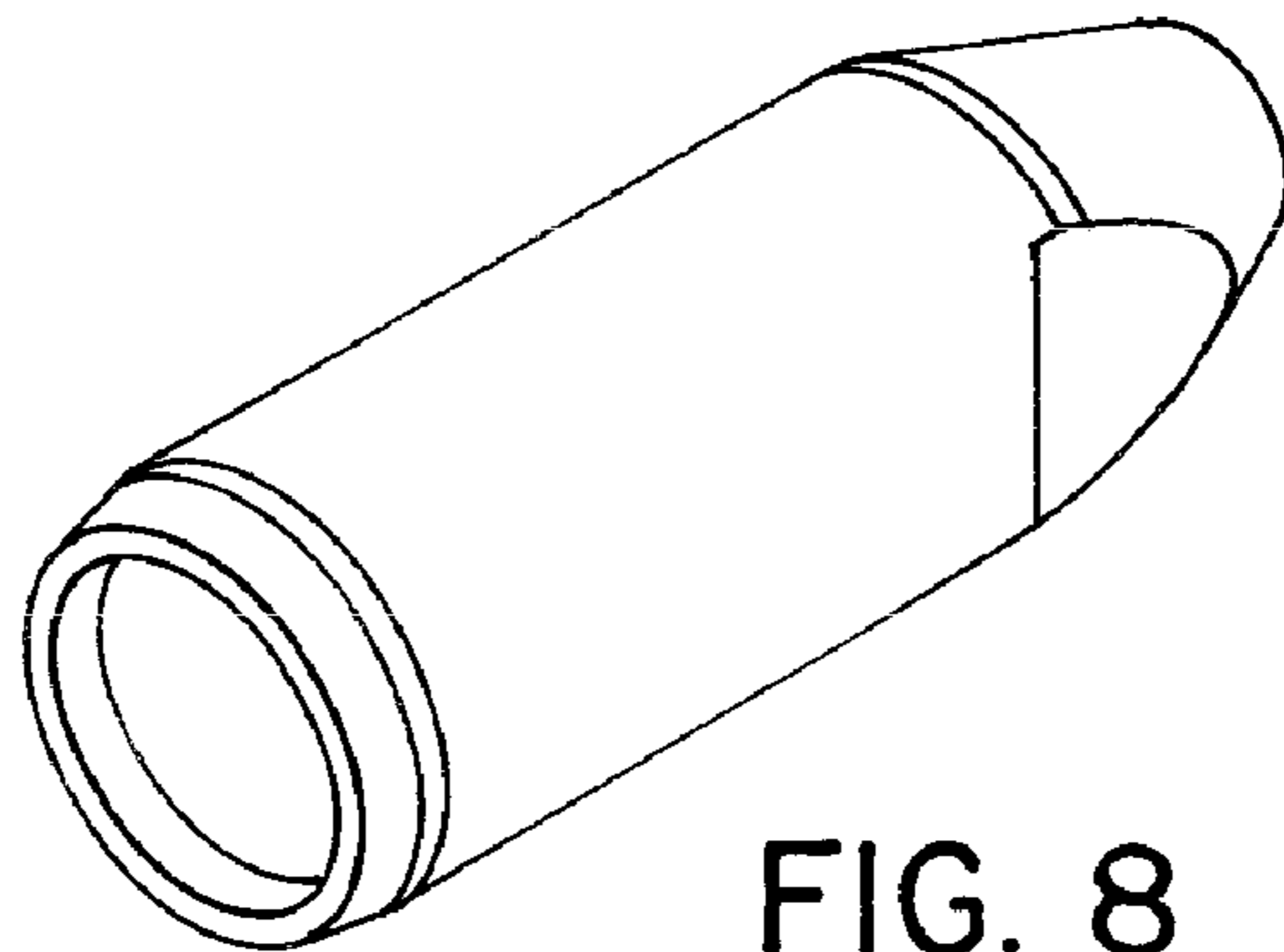


FIG. 8