



US00D574202S

(12) **United States Design Patent**
Rodriguez

(10) **Patent No.:** **US D574,202 S**

(45) **Date of Patent:** **** Aug. 5, 2008**

(54) **SCREEN COVER**

(76) **Inventor:** **Roberto M. Rodriguez**, 8205 SW. 11th Ct., North Lauderdale, FL (US) 33068

(**) **Term:** **14 Years**

(21) **Appl. No.:** **29/281,269**

(22) **Filed:** **Jun. 20, 2007**

(51) **LOC (8) Cl.** **08-05**

(52) **U.S. Cl.** **D8/14**

(58) **Field of Classification Search** D8/14,
D8/1; D4/138; 248/354.1, 354.3; 118/504;
D34/31; 294/19.1

See application file for complete search history.

(56) **References Cited**

U.S. PATENT DOCUMENTS

2,870,696	A *	1/1959	Yoch	404/133.1
2,994,262	A *	8/1961	Bator	100/65
D248,725	S *	8/1978	McClane	D8/14
D307,698	S *	5/1990	Bonie	D8/14
4,962,722	A *	10/1990	Thompson	118/504
5,103,762	A *	4/1992	Long et al.	118/504
5,429,677	A *	7/1995	Brown	118/504

D392,855	S *	3/1998	Pillow	D8/14
D416,771	S *	11/1999	Cagle	D8/14
D459,959	S *	7/2002	Fetterman et al.	D8/14
D464,550	S *	10/2002	Seppala	D8/77
D482,202	S *	11/2003	Newman et al.	D4/121
D531,863	S *	11/2006	Irwin	D8/1

* cited by examiner

Primary Examiner—Philip S Hyder

(57) **CLAIM**

I claim, the ornamental design for the screen cover, as shown and described.

DESCRIPTION

FIG. 1 is a front elevational view of the screen cover showing my new design;

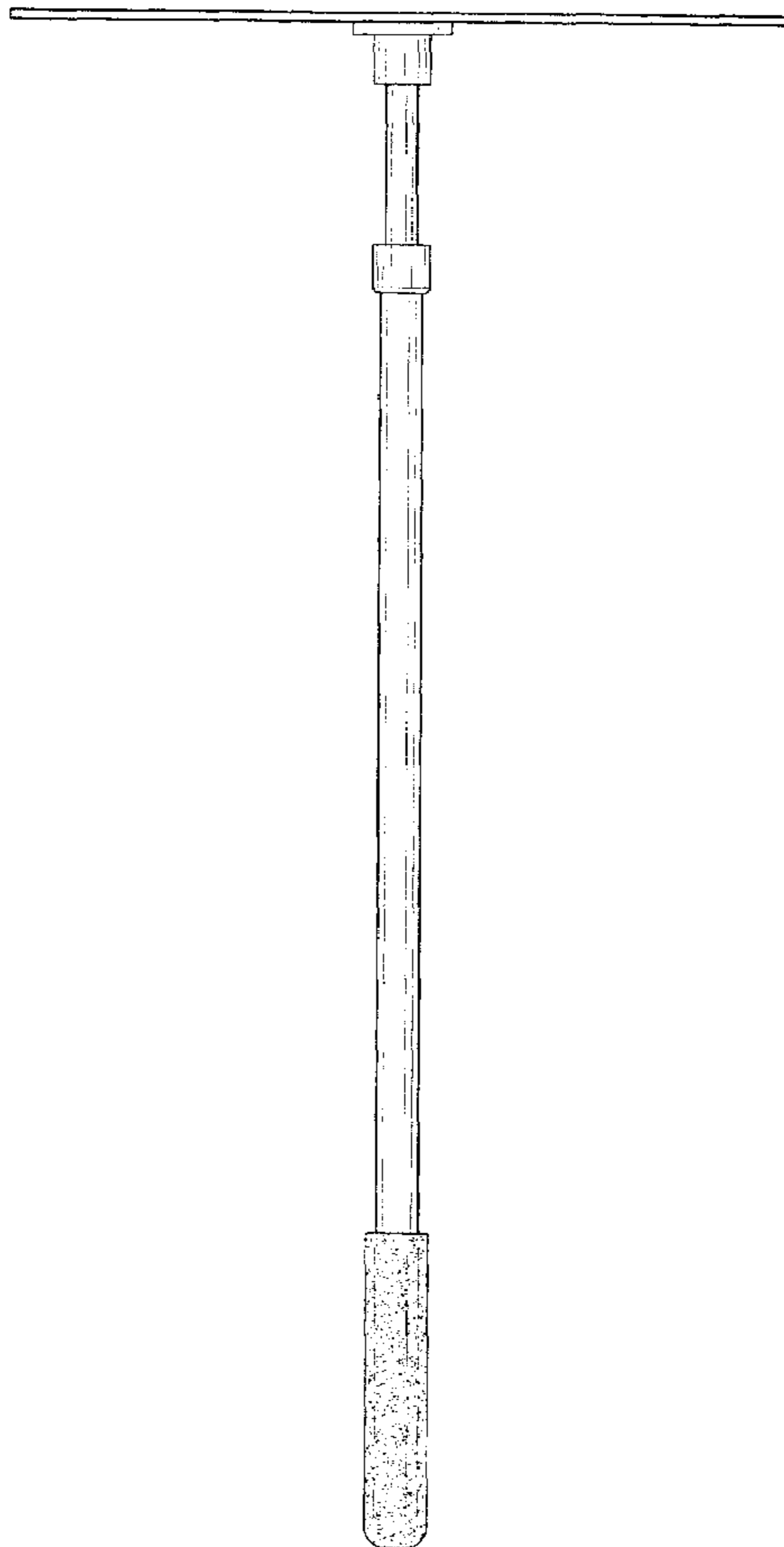
FIG. 2 is a left-side elevational view of the screen cover thereof;

FIG. 3 is a top plan view of the screen cover thereof;

FIG. 4 is a bottom plan view of the screen cover thereof; and,

FIG. 5 is a perspective view of the screen cover thereof.

1 Claim, 3 Drawing Sheets



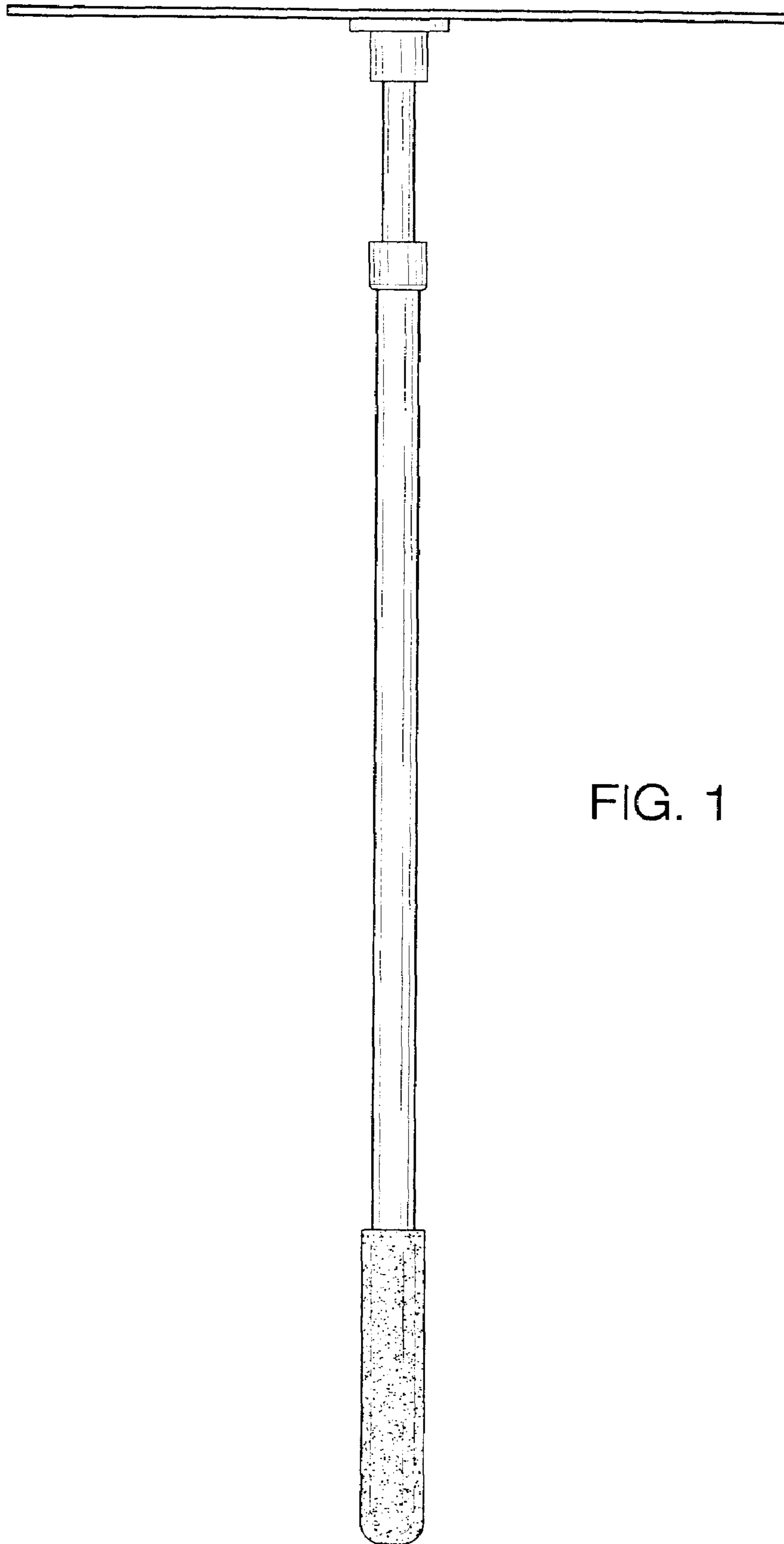


FIG. 1

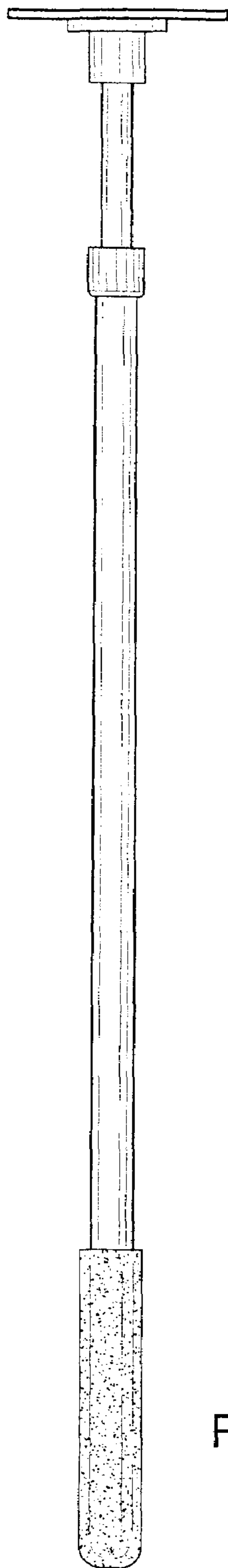


FIG. 2

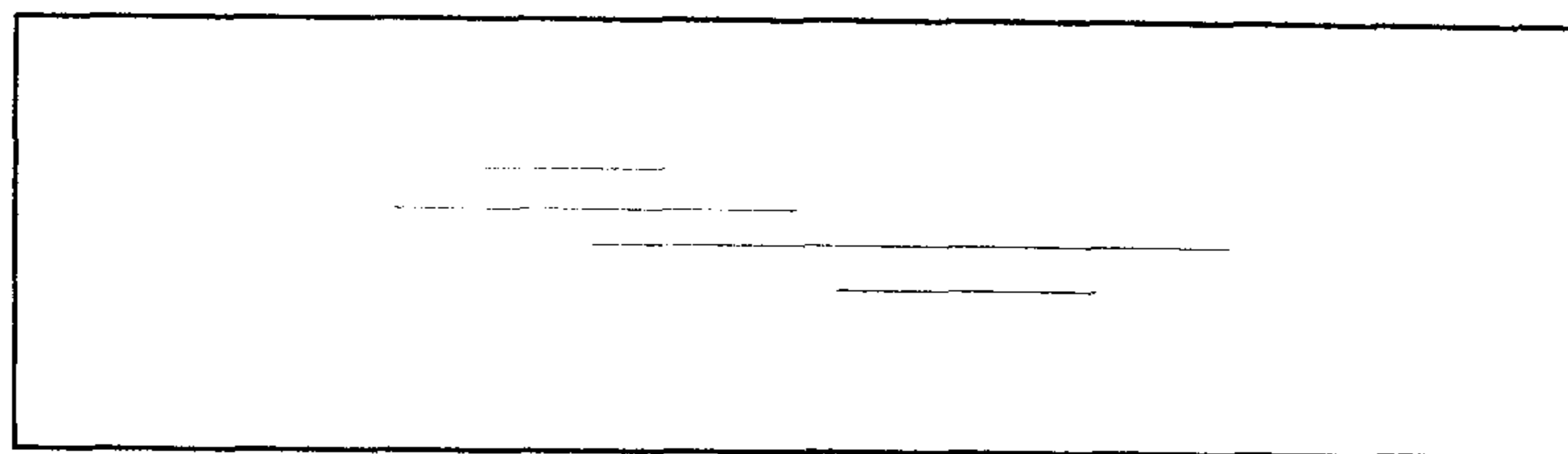


FIG. 3

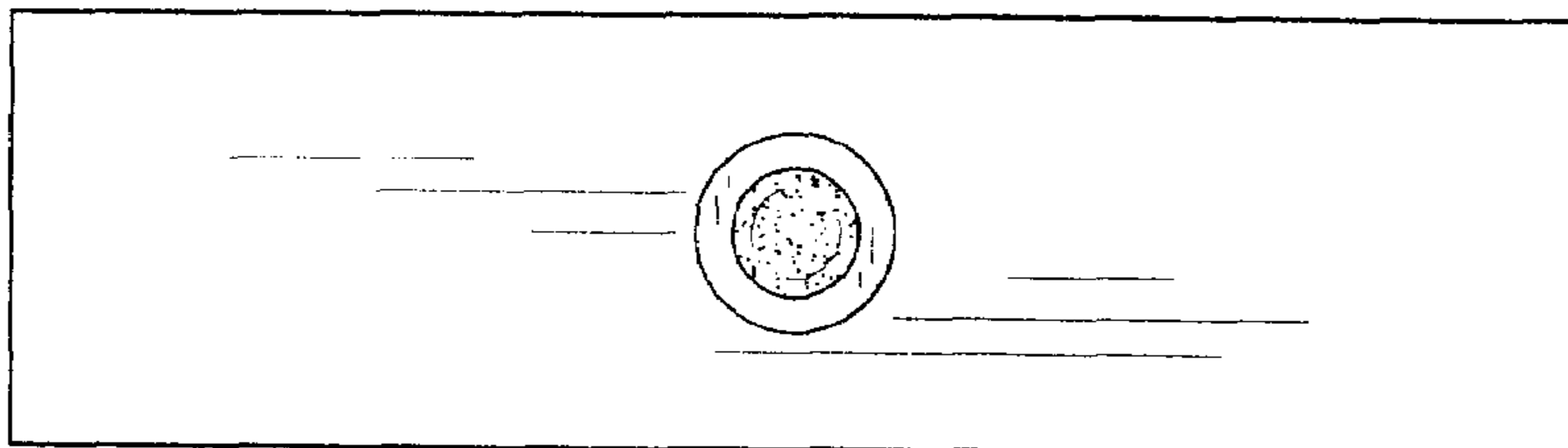


FIG. 4

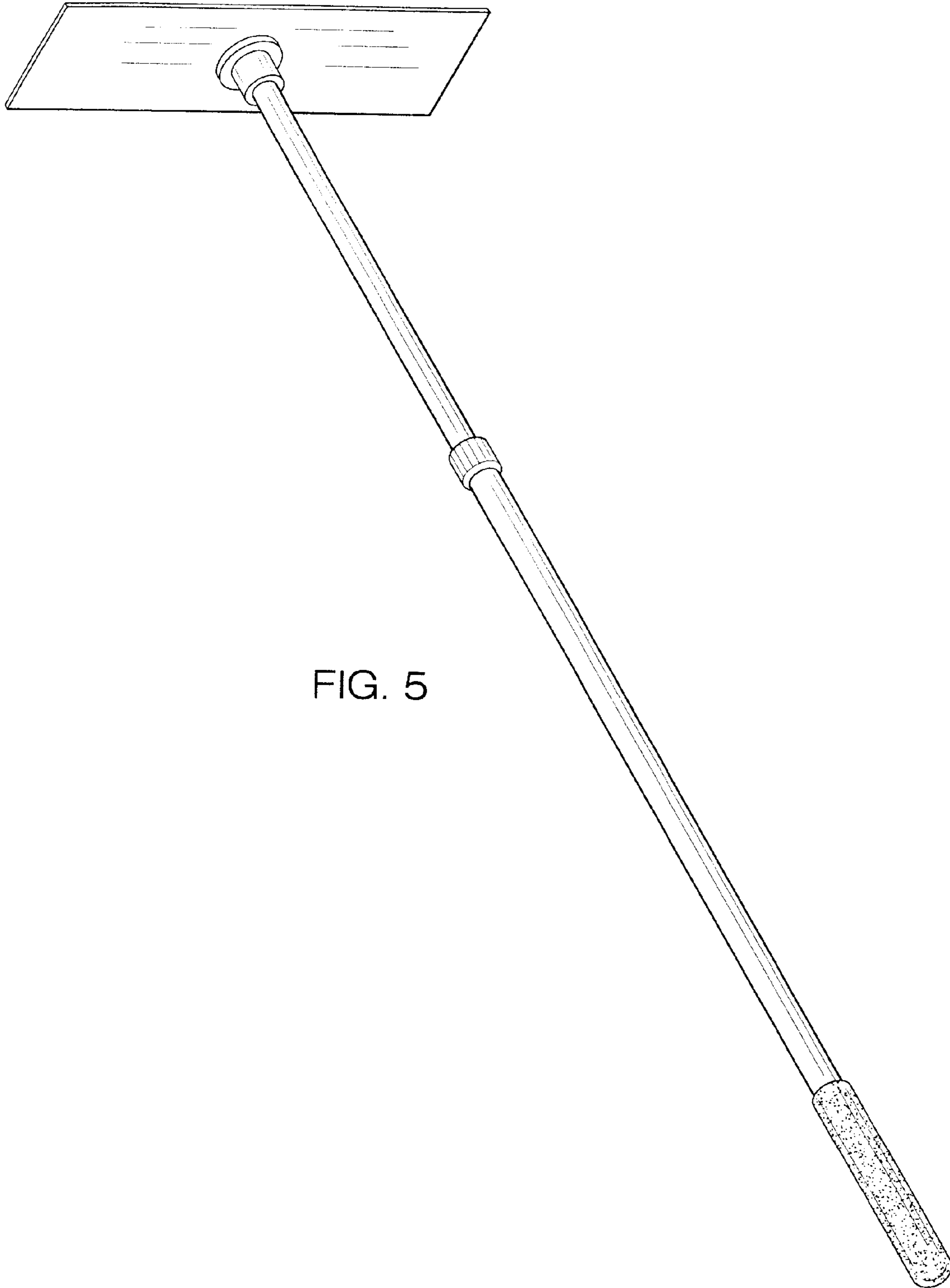


FIG. 5