



US00D574200S

(12) **United States Design Patent**
Pearl et al.

(10) **Patent No.:** **US D574,200 S**

(45) **Date of Patent:** **** Aug. 5, 2008**

(54) **CUTTING STATION**

(75) Inventors: **Jayson Pearl**, Shorewood, WI (US);
Michael Young, Mukwonago, WI (US);
Paul A. Omdoll, Waukesha, WI (US);
Norm Faiola, Ithaca, NY (US)

(73) Assignee: **The Colman Group, Inc.**, Elkhorn, WI (US)

(**) Term: **14 Years**

(21) Appl. No.: **29/260,219**

(22) Filed: **May 22, 2006**

(51) **LOC (8) Cl.** **07-04**

(52) **U.S. Cl.** **D7/698**

(58) **Field of Classification Search** D7/360,
D7/388, 549, 554.2, 586, 637, 638, 696-699;
D6/406.6; 33/430; 38/141; 40/352; 99/446,
99/449, 484; 269/13-15, 289 R, 291, 297,
269/298, 302.1, 289 MR, 315; 294/172

See application file for complete search history.

(56) **References Cited**

U.S. PATENT DOCUMENTS

D159,881 S * 8/1950 Zekowski D7/698
2,609,024 A * 9/1952 Russ 269/15
3,598,164 A * 8/1971 August 269/13
D259,166 S * 5/1981 Krusche D7/549
D281,850 S * 12/1985 Morin D7/698

D283,777 S * 5/1986 Morin D7/698
5,363,755 A * 11/1994 Liang 99/484
D372,176 S * 7/1996 Meisner D7/698
D374,380 S * 10/1996 Sawatsky D7/698
D381,564 S * 7/1997 Kolada D7/698
D390,718 S * 2/1998 Howland et al. D6/406.6
D472,776 S * 4/2003 Porter D7/698
2002/0195763 A1 * 12/2002 Benjamin 269/289 R

* cited by examiner

Primary Examiner—Caron D. Veynar

Assistant Examiner—Ricky Pham

(74) *Attorney, Agent, or Firm*—Boyle Frederickson, S.C.;
Adam L. Brookman

(57) **CLAIM**

The ornamental design of a cutting station, substantially as shown and described.

DESCRIPTION

FIG. 1 is a perspective view of a cutting station in accordance with the new design;

FIG. 2 is a left side view of the cutting station of FIG. 1;

FIG. 3 is a right side view of the cutting station of FIG. 1;

FIG. 4 is a front view of the cutting station of FIG. 1;

FIG. 5 is a rear view of the cutting station of FIG. 1;

FIG. 6 is a top view of the cutting station of FIG. 1; and,

FIG. 7 is a bottom view of the cutting station of FIG. 1.

1 Claim, 5 Drawing Sheets

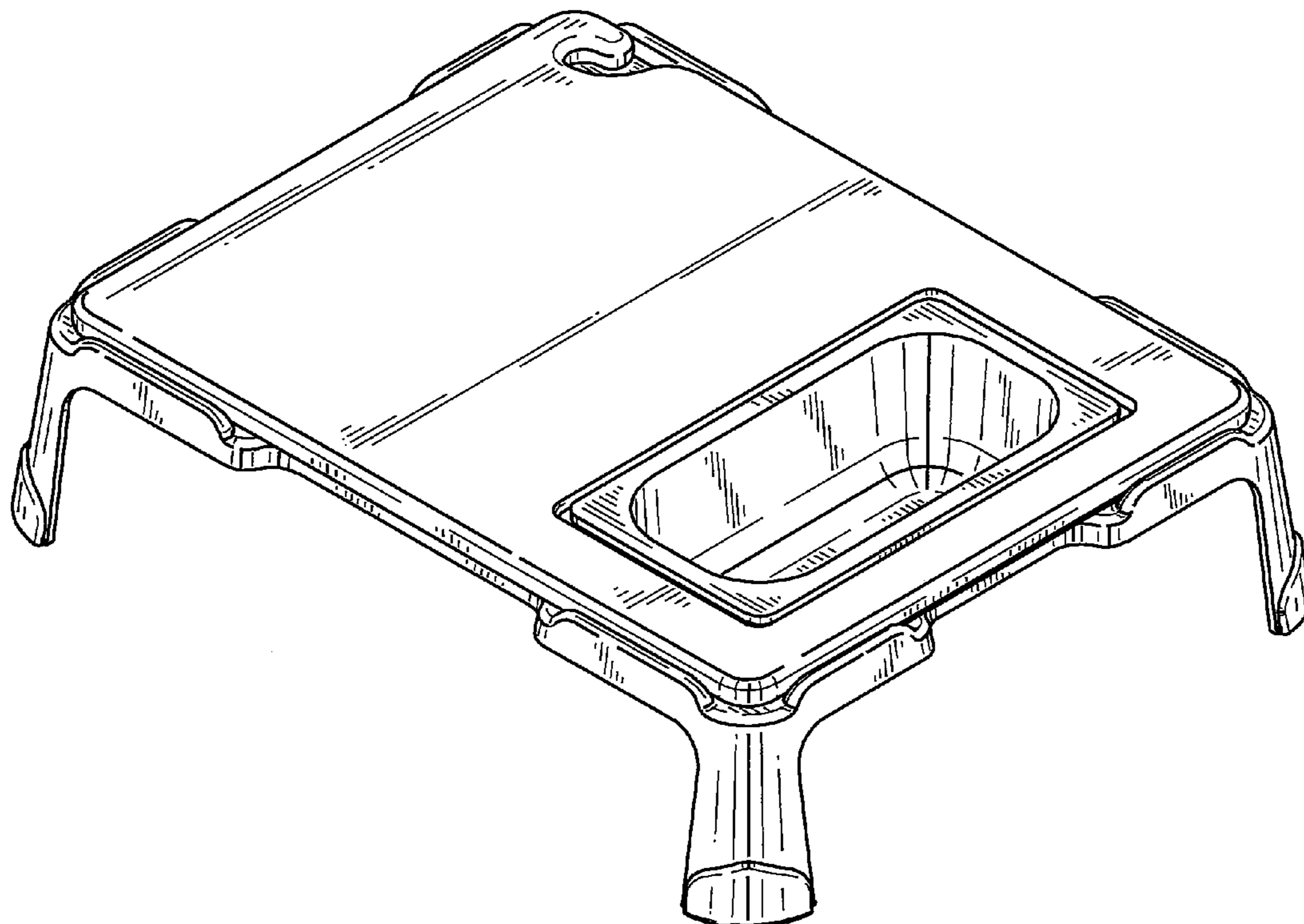


FIG. 1

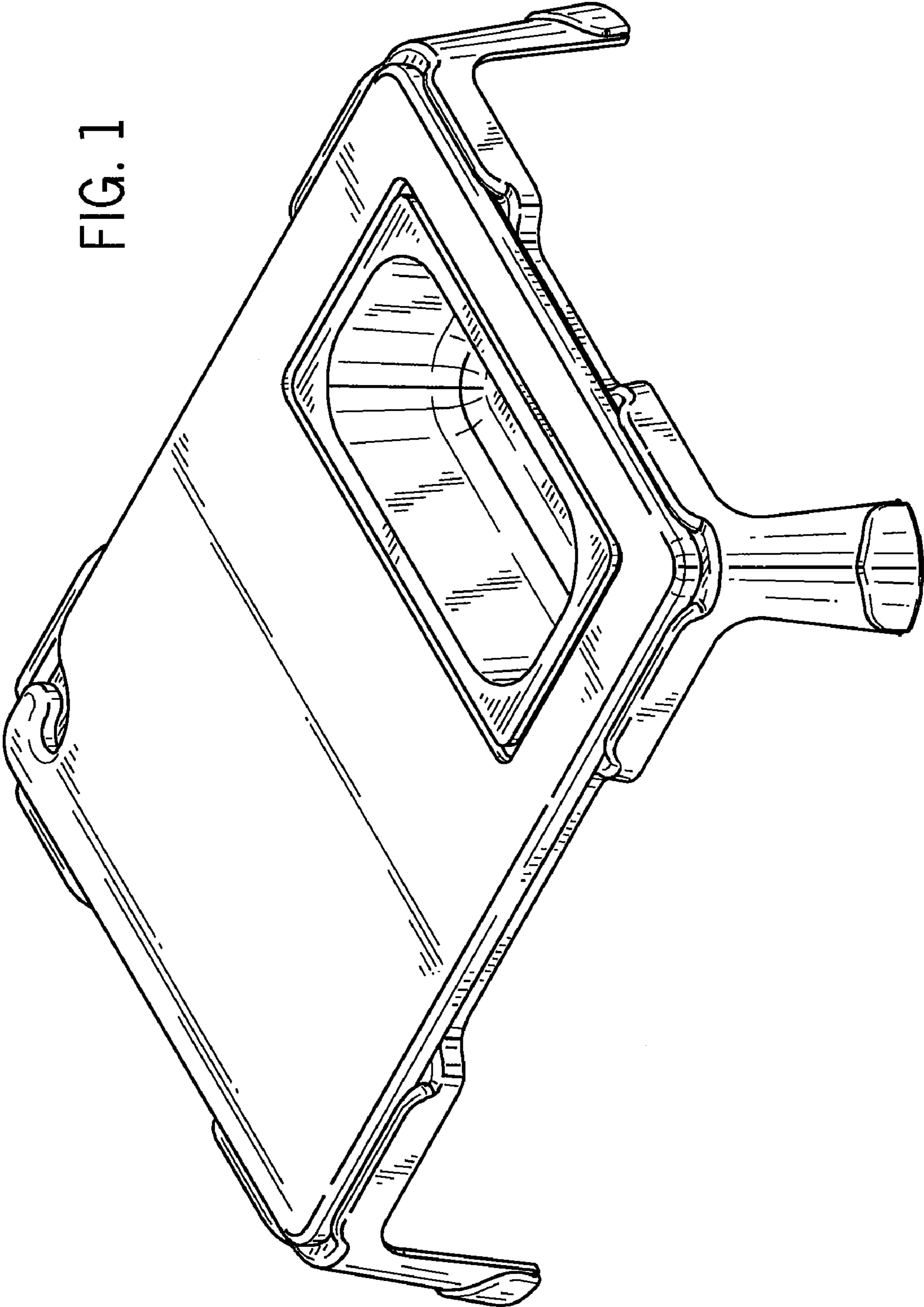


FIG. 2

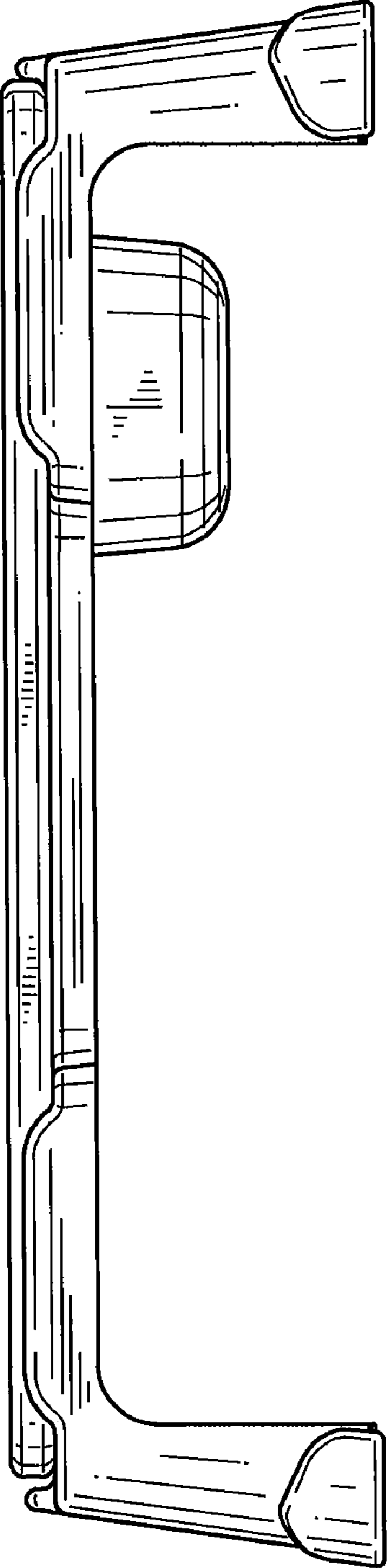


FIG. 3

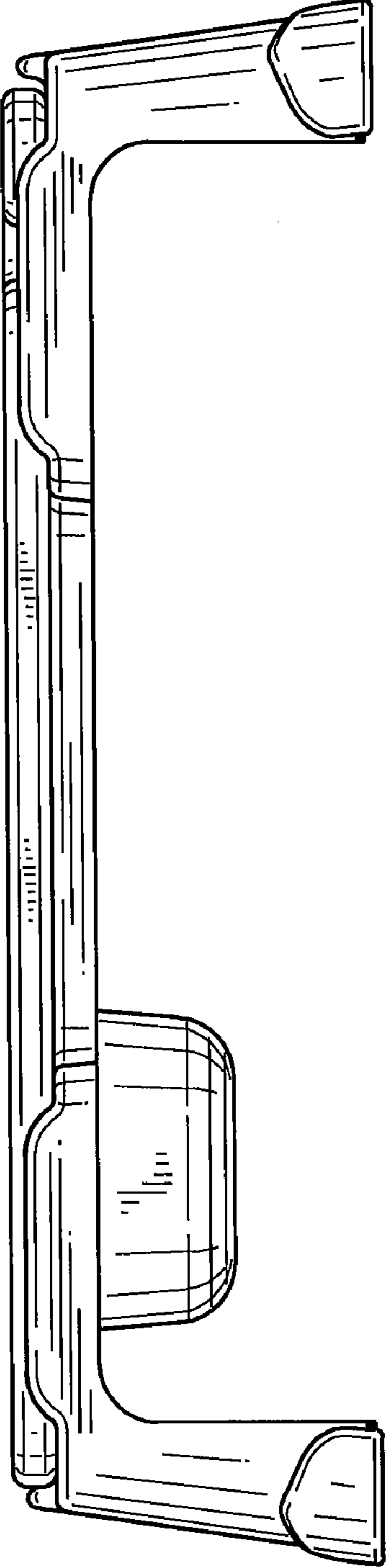


FIG. 4

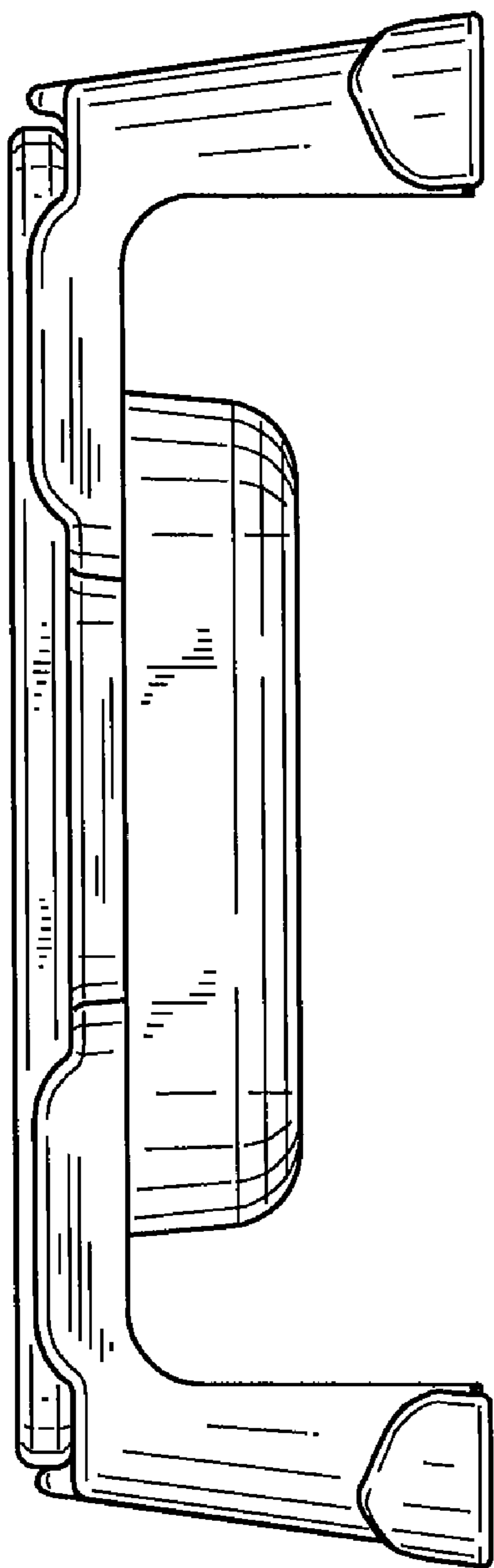


FIG. 5

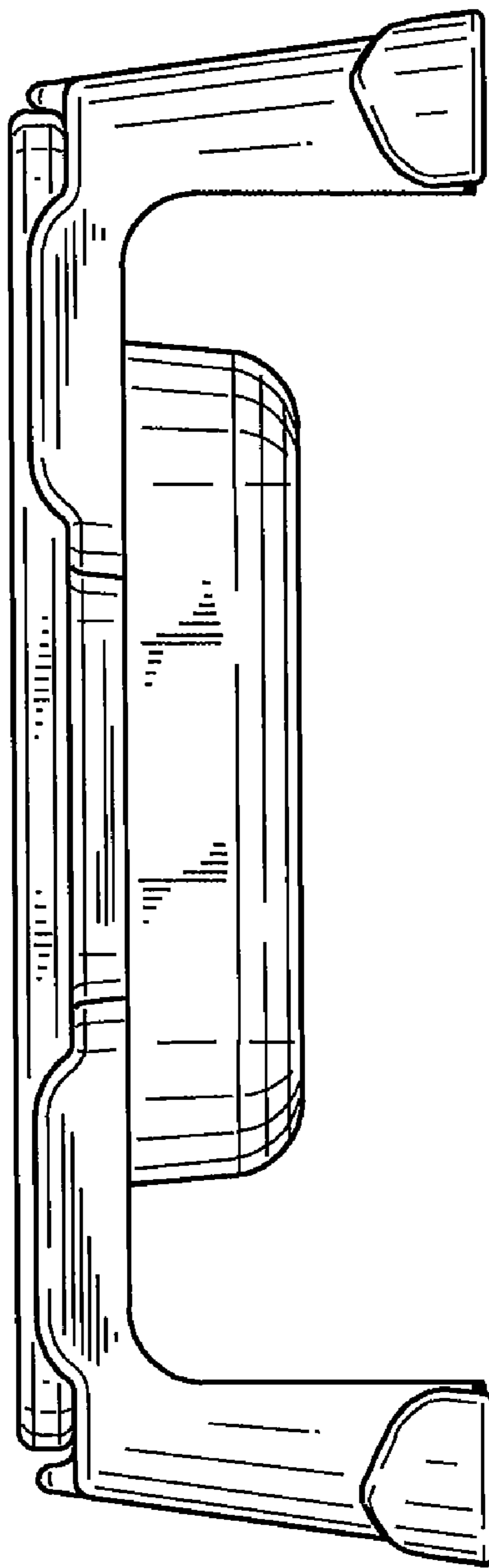


FIG. 6

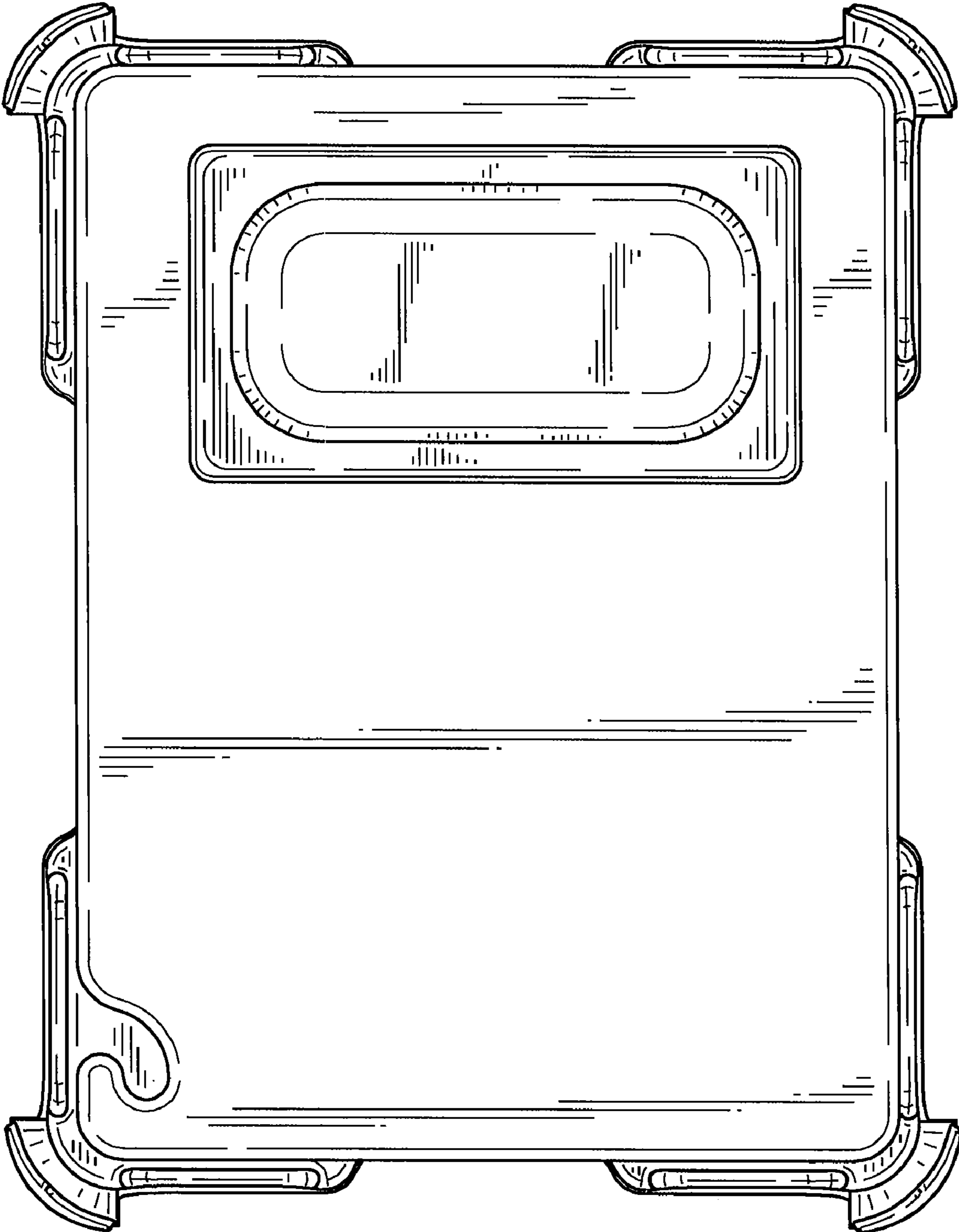


FIG. 7

