



US00D574198S

(12) **United States Design Patent**  
**Head**

(10) **Patent No.:** **US D574,198 S**

(45) **Date of Patent:** **\*\* Aug. 5, 2008**

(54) **LEVER OPERATED PRESS FOR EXPRESSING LIQUID FROM CANNED GOODS**

(76) **Inventor:** **William H. Head**, 2415 Cedar, Lake Stevens, WA (US) 98258

(\*\*) **Term:** **14 Years**

(21) **Appl. No.:** **29/288,433**

(22) **Filed:** **Jun. 11, 2007**

(51) **LOC (8) Cl.** ..... **07-04**

(52) **U.S. Cl.** ..... **D7/666**

(58) **Field of Classification Search** ..... D7/666-668;  
99/495, 506-513; 294/65.5; 210/464, 470;  
100/104, 110, 234, 116, 126, 243, 293  
See application file for complete search history.

(56) **References Cited**

**U.S. PATENT DOCUMENTS**

3,995,544	A	12/1976	Farley	
D244,118	S	4/1977	Dick	
4,355,574	A	10/1982	Bond et al.	
4,860,647	A *	8/1989	Kerslake	100/234
D311,116	S	10/1990	Pentland	
5,001,911	A	3/1991	Eck et al.	
D330,313	S *	10/1992	Green	D7/666
D337,702	S	7/1993	Lange	
D342,649	S	12/1993	Miller et al.	
5,272,968	A	12/1993	Keville et al.	
5,272,969	A	12/1993	McDonald	
D343,995	S *	2/1994	Djelmane	D7/666
5,363,789	A	11/1994	Laurie et al.	

5,372,063	A	12/1994	Berg	
5,396,838	A	3/1995	Casapulla	
D366,189	S	1/1996	Bidlack	
D368,304	S	3/1996	Morrison	
5,501,144	A	3/1996	Bryson	
5,590,590	A	1/1997	Zammit	
D379,139	S *	5/1997	Berde	D7/666
5,826,502	A	10/1998	Wade	
6,227,104	B1 *	5/2001	Watkins, Jr.	100/110
6,234,074	B1 *	5/2001	Mangum	100/110
6,561,084	B2 *	5/2003	Lane	99/508
7,162,952	B1 *	1/2007	Michaud	100/110

\* cited by examiner

*Primary Examiner*—Terry A Wallace

(74) *Attorney, Agent, or Firm*—Todd N. Hathaway

(57) **CLAIM**

The ornamental design for a lever operated press for expressing liquid from canned goods, as shown.

**DESCRIPTION**

FIG. 1 is a perspective view of a lever operated press for expressing liquid from canned goods, showing my new design;

FIG. 2 is a right side elevational view thereof;

FIG. 3 is a front end elevational view thereof;

FIG. 4 is a rear end elevational view thereof;

FIG. 5 is left side elevational view thereof;

FIG. 6 is a top plan view thereof; and,

FIG. 7 is bottom plan view thereof.

**1 Claim, 3 Drawing Sheets**

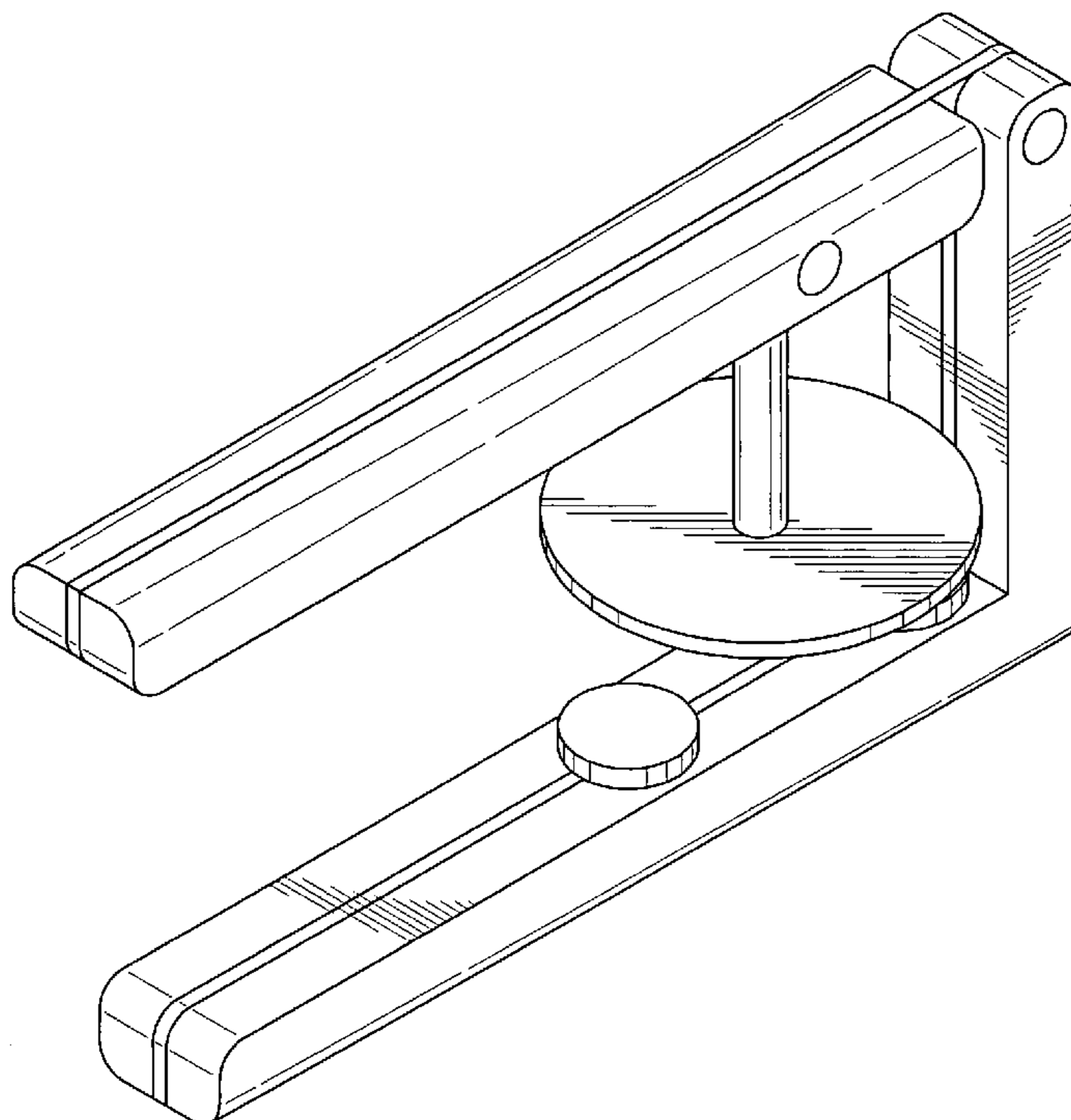


FIG. 1

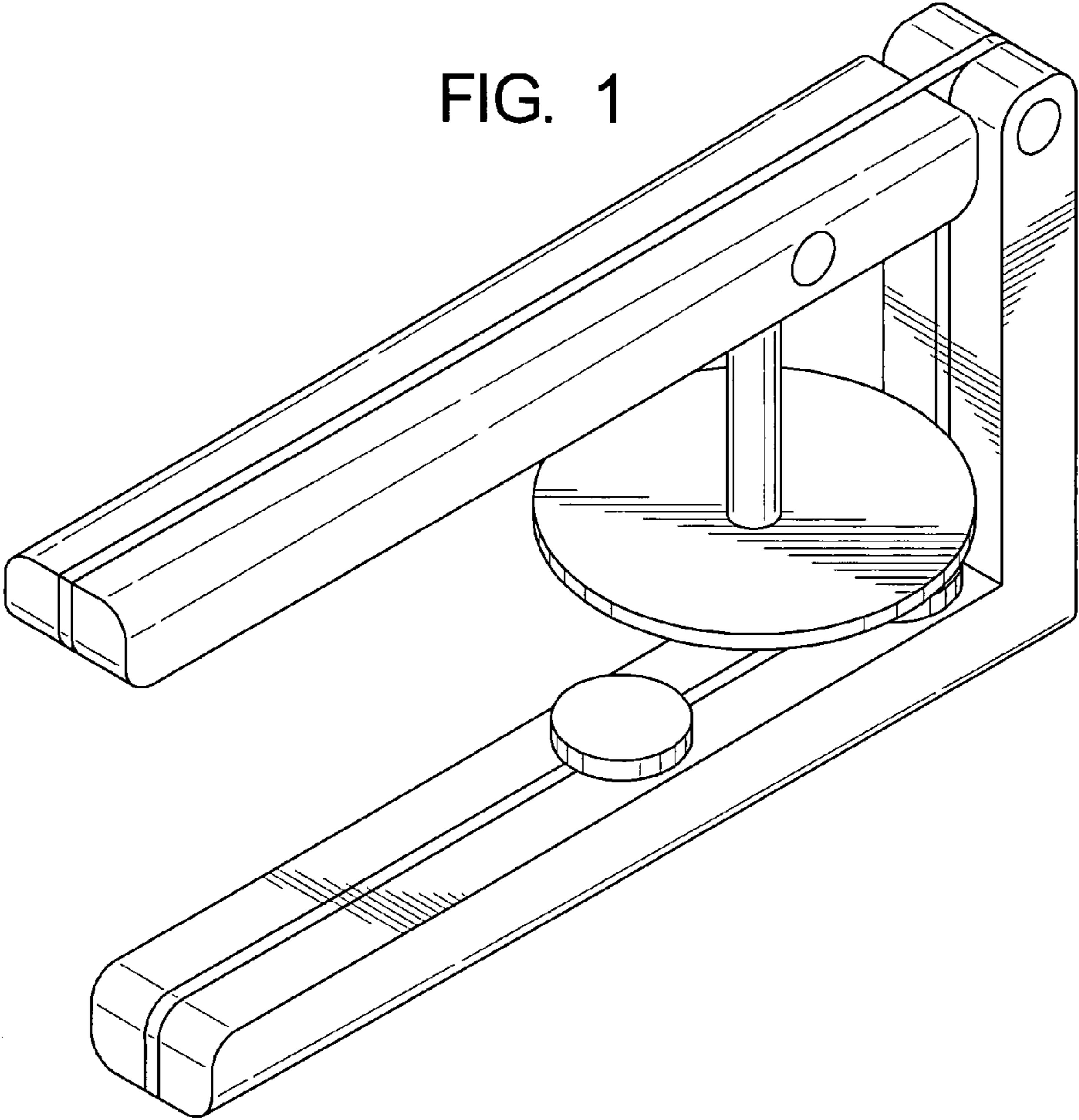


FIG. 2

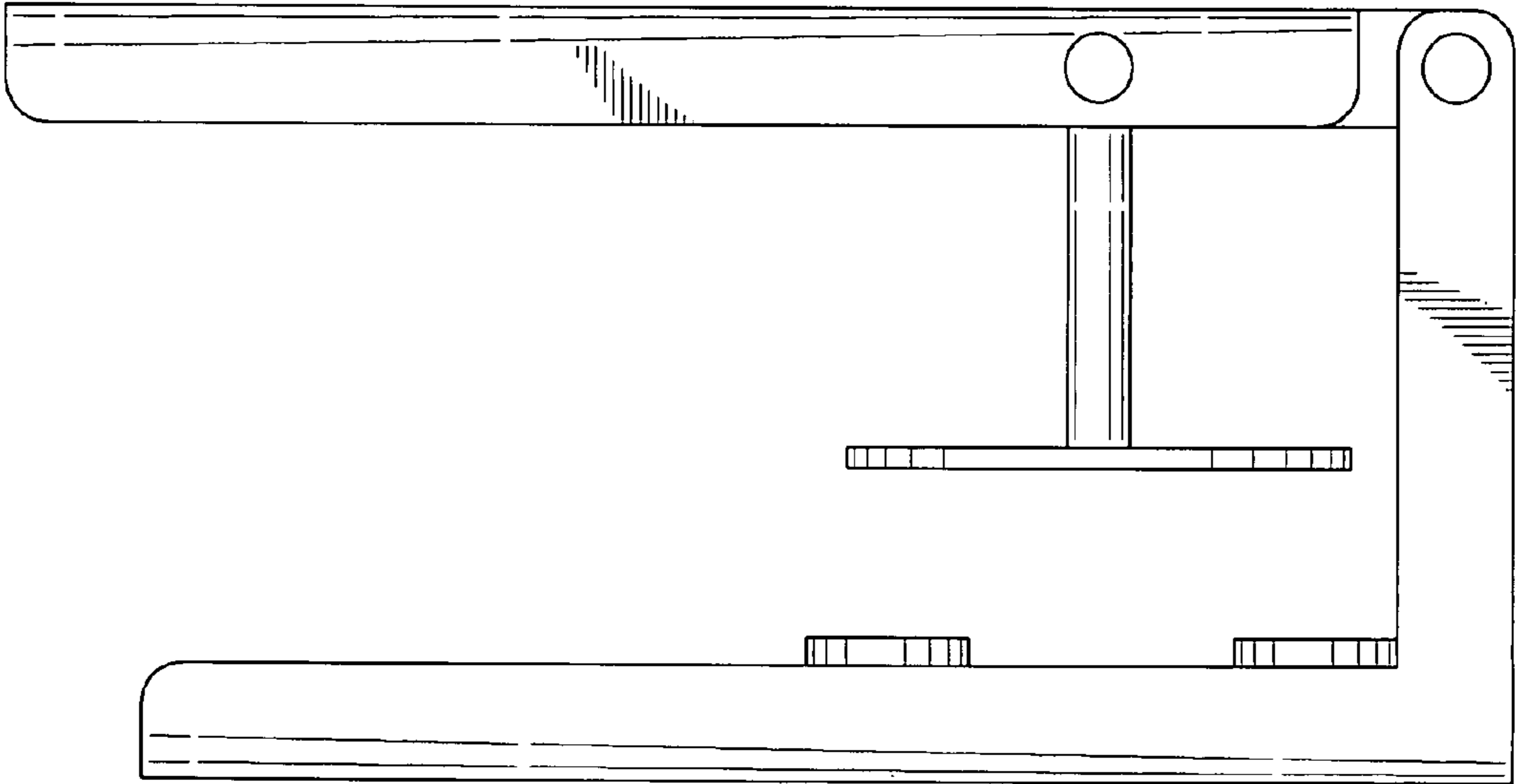


FIG. 3

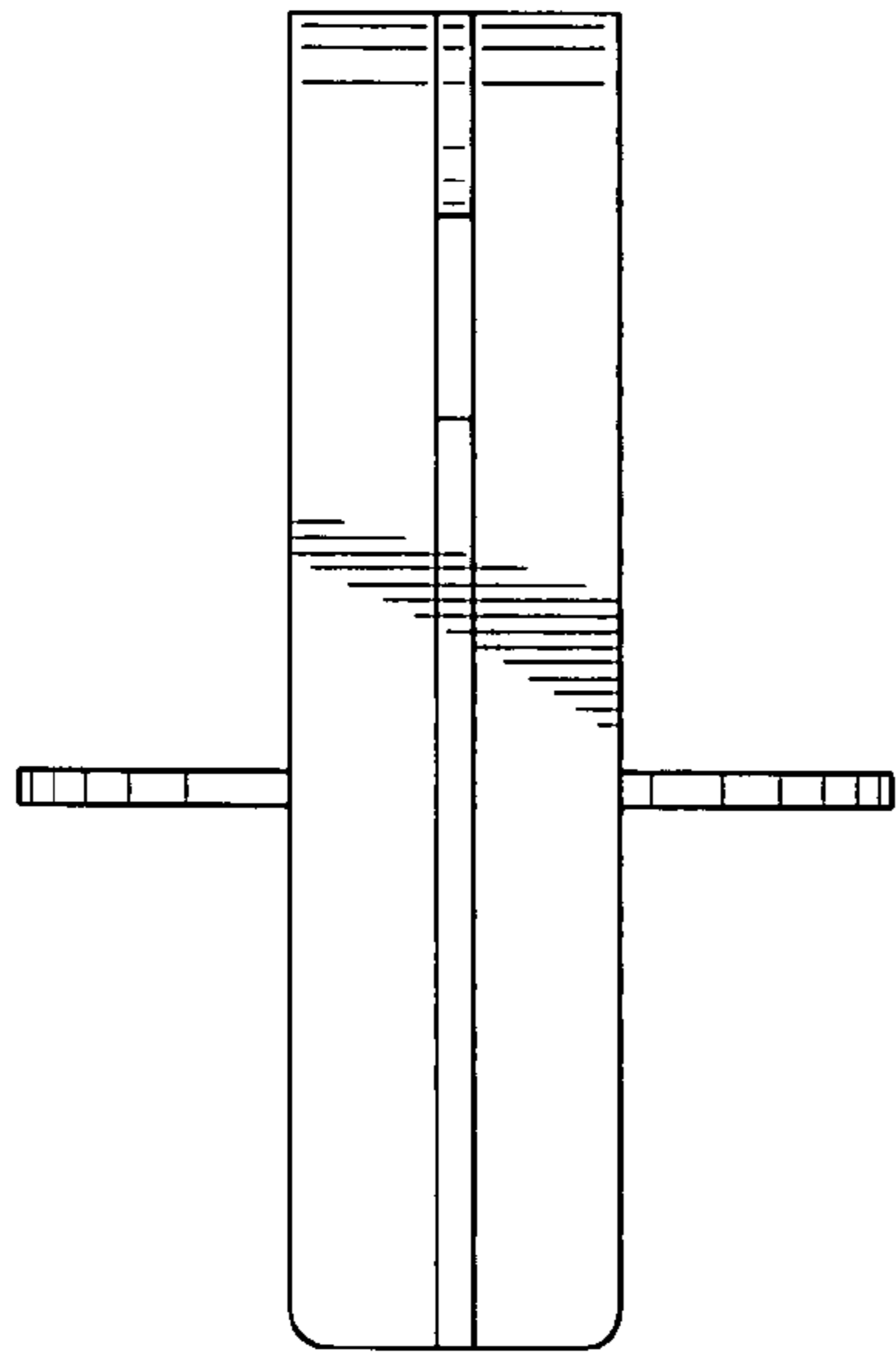


FIG. 4

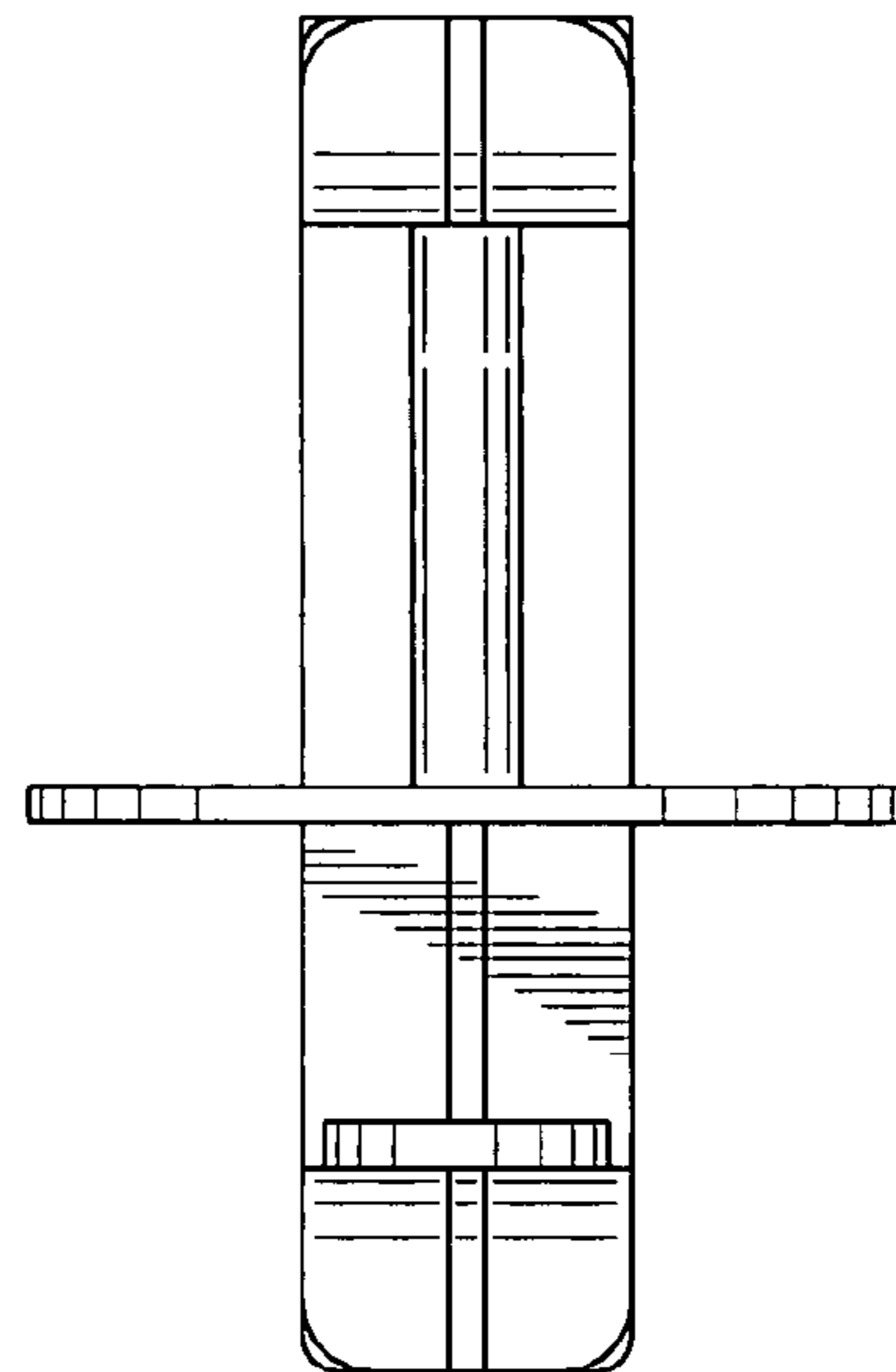


FIG. 5

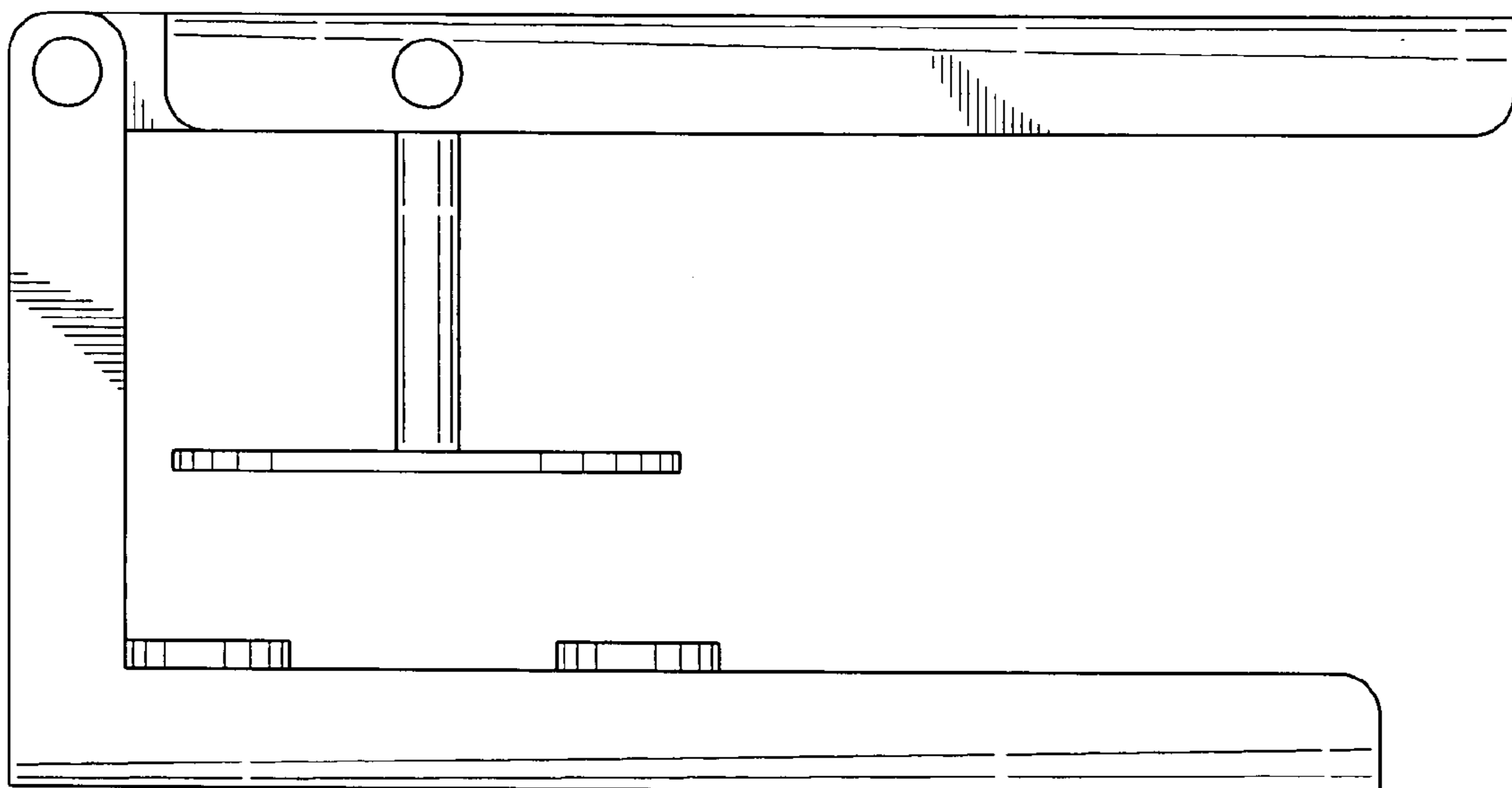


FIG. 6

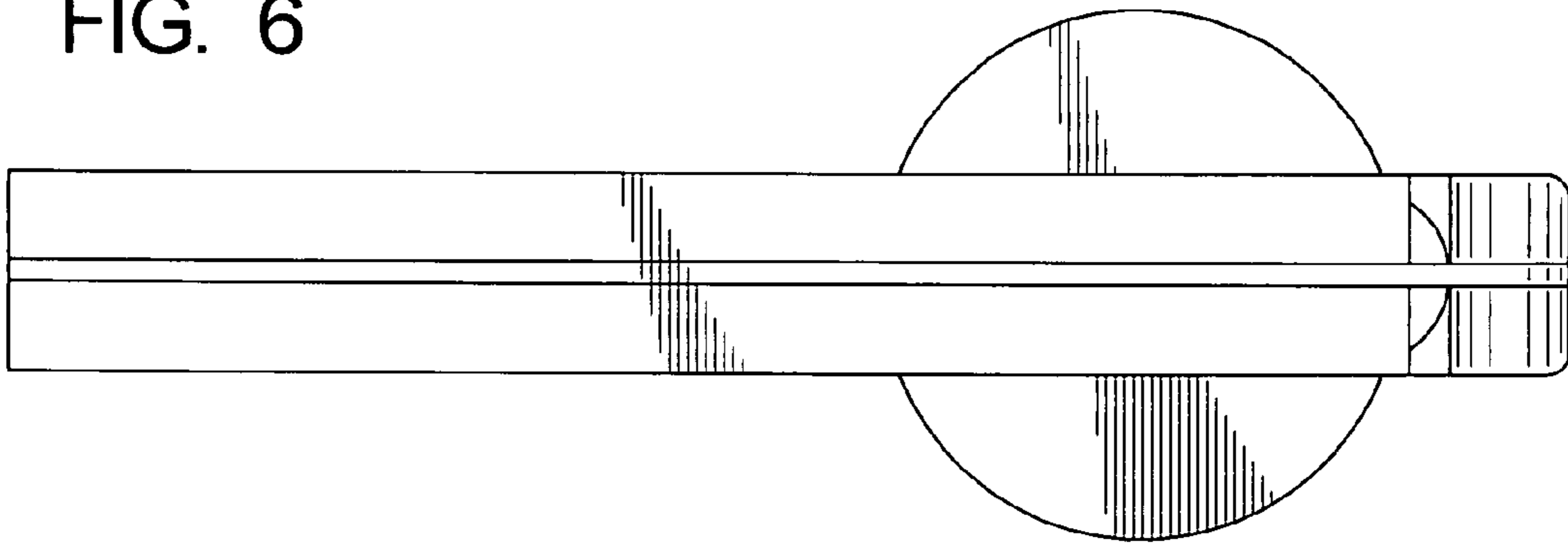


FIG. 7

