



US00D574193S

(12) **United States Design Patent**  
**Galvin et al.**

(10) **Patent No.:** **US D574,193 S**

(45) **Date of Patent:** **\*\* Aug. 5, 2008**

(54) **BEVERAGE MUG**

(75) Inventors: **Jennifer Galvin**, Carol Stream, IL (US);  
**Kingston Wong**, Beach Park, IL (US)

(73) Assignee: **Klein Tools, Inc.**, Lincolnshire, IL (US)

(\*\*) Term: **14 Years**

(21) Appl. No.: **29/294,843**

(22) Filed: **Jan. 30, 2008**

(51) **LOC (8) Cl.** ..... **07-01**

(52) **U.S. Cl.** ..... **D7/531; D7/536; D7/523**

(58) **Field of Classification Search** ..... D7/500,  
D7/505, 507, 509, 510, 511, 514, 523, 531,  
D7/532, 533, 536, 624.1; D9/500, 502, 504,  
D9/556, 532, 428, 520, 715, 716; D11/152;  
215/387, 371, 382, DIG. 7; 220/592.16,  
220/592.17, 703, 630, 739; 99/341; 134/113;  
219/432, 433; 362/101, 154

See application file for complete search history.

(56) **References Cited**

**U.S. PATENT DOCUMENTS**

D45,605 S *	4/1914	Sanford	.....	D7/531
D93,178 S *	8/1934	Nicholson	.....	D7/531
D95,419 S *	4/1935	Grey	.....	D9/556
D107,781 S *	1/1938	Mackelfresh, Jr.	.....	D7/531
D202,119 S *	8/1965	Shelby	.....	D7/531
D266,550 S *	10/1982	Myodo	.....	D7/536

D286,000 S *	10/1986	Bussell	.....	D7/531
D306,950 S *	4/1990	Foucher	.....	D7/530
D406,726 S *	3/1999	Horvat	.....	D7/531
6,062,380 A *	5/2000	Dorney	.....	206/217
D538,708 S *	3/2007	Sellers et al.	.....	D11/164
D539,092 S *	3/2007	Norris et al.	.....	D7/531

\* cited by examiner

*Primary Examiner*—Philip Hyder

*Assistant Examiner*—Cynthia Underwood

(74) *Attorney, Agent, or Firm*—Eugene M. Cummings, P.C.

(57) **CLAIM**

The ornamental design for the beverage mug, as shown and described.

**DESCRIPTION**

FIG. 1 is a perspective view of the mug.

FIG. 2 is a front view of the mug.

FIG. 3 is a back view of the mug.

FIG. 4 is a side view of the mug.

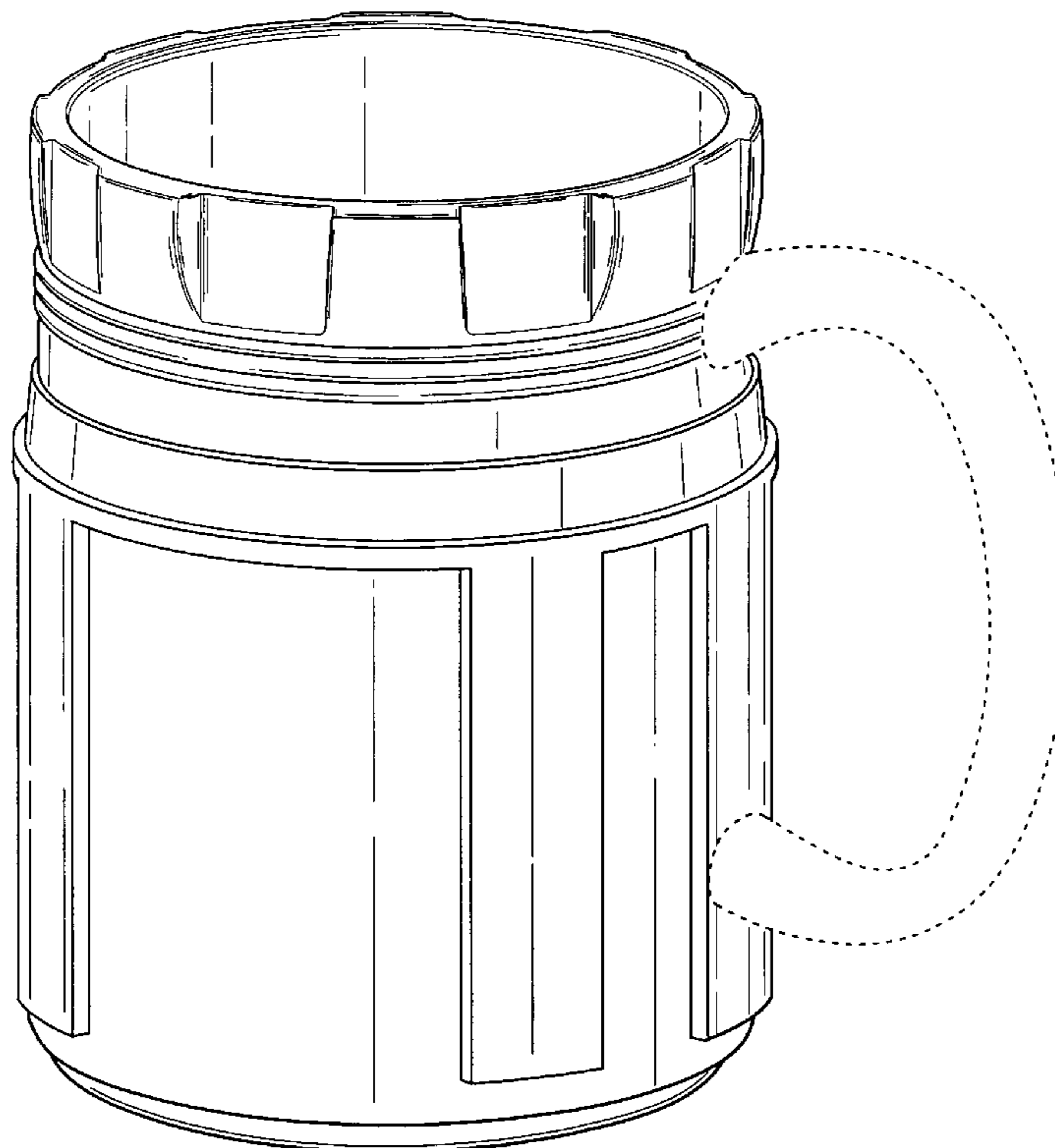
FIG. 5 is another side view of the mug.

FIG. 6 is a top view of the mug; and,

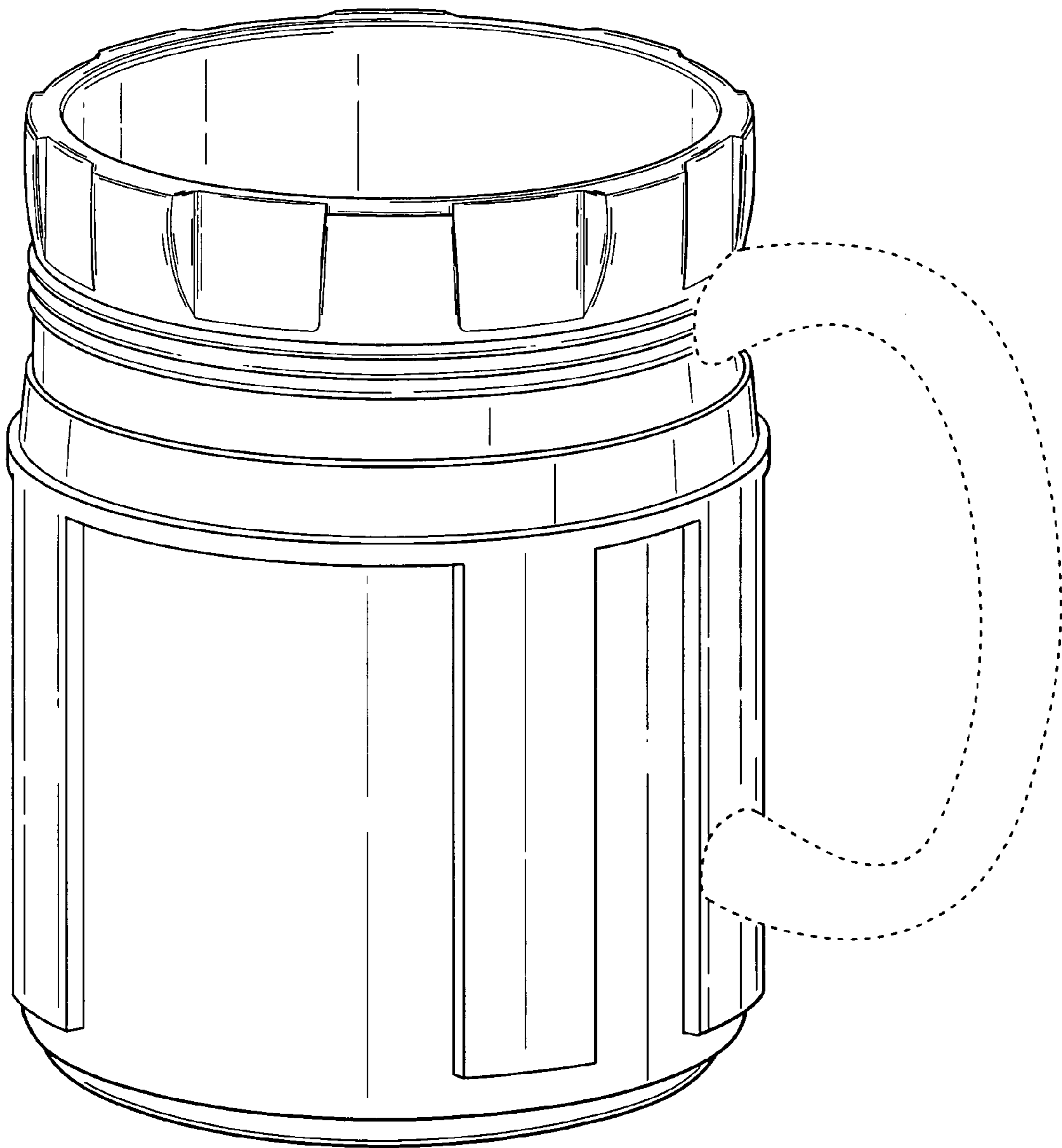
FIG. 7 is a bottom view of the mug.

The broken lines showing the handle of the item is included for the purpose of illustrating environment and forms no part of the claimed design.

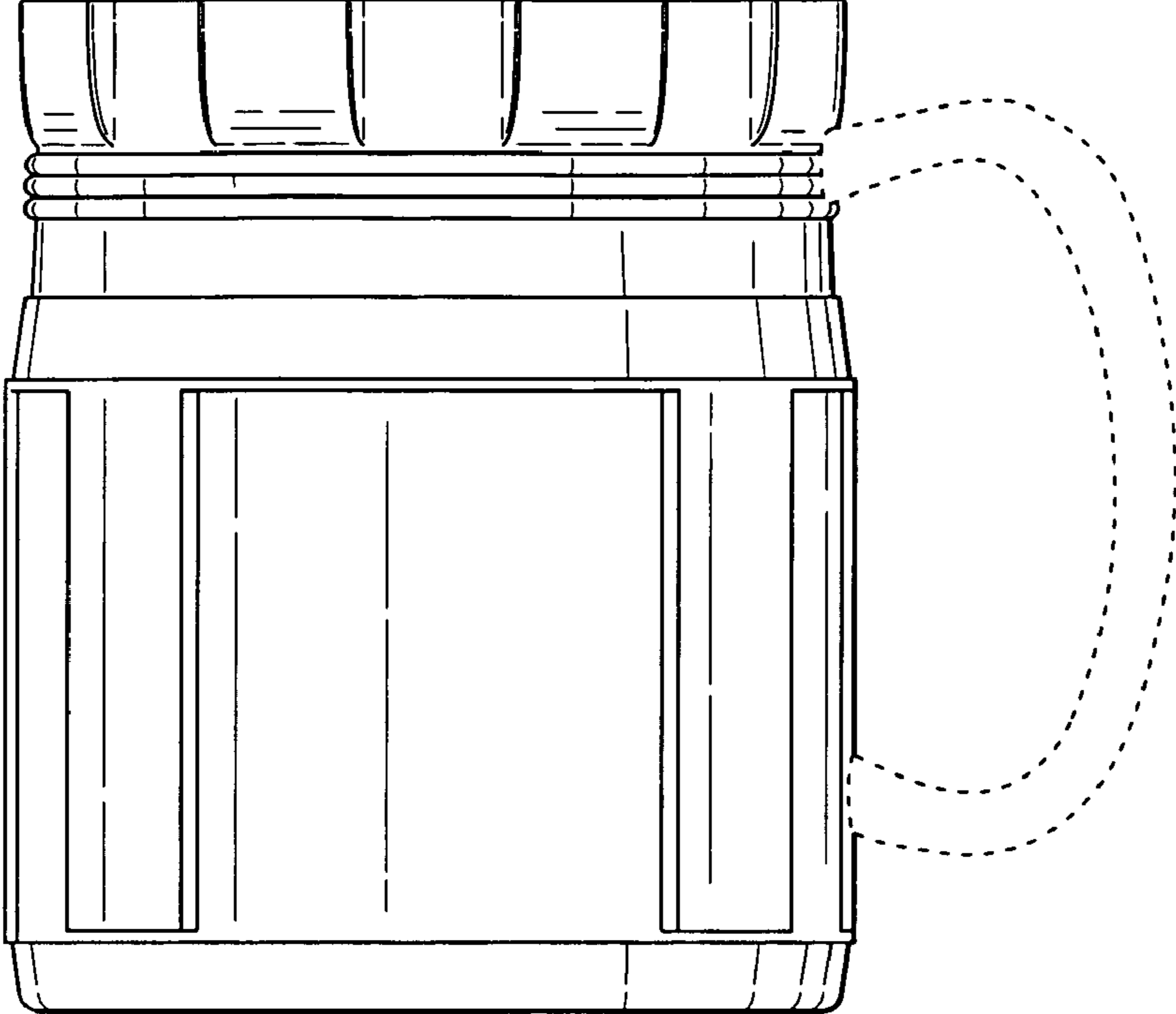
**1 Claim, 4 Drawing Sheets**



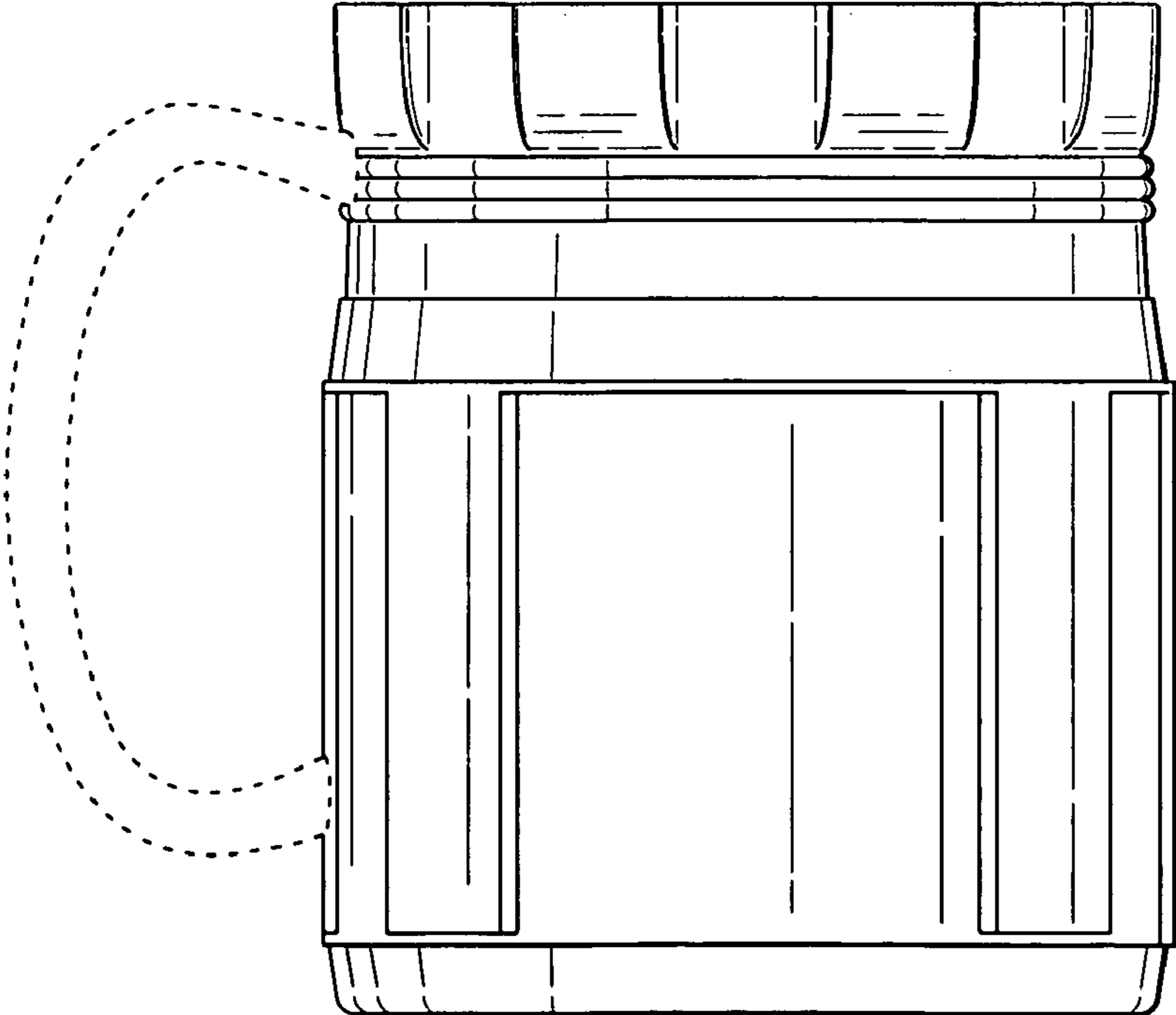
*Fig. 1*



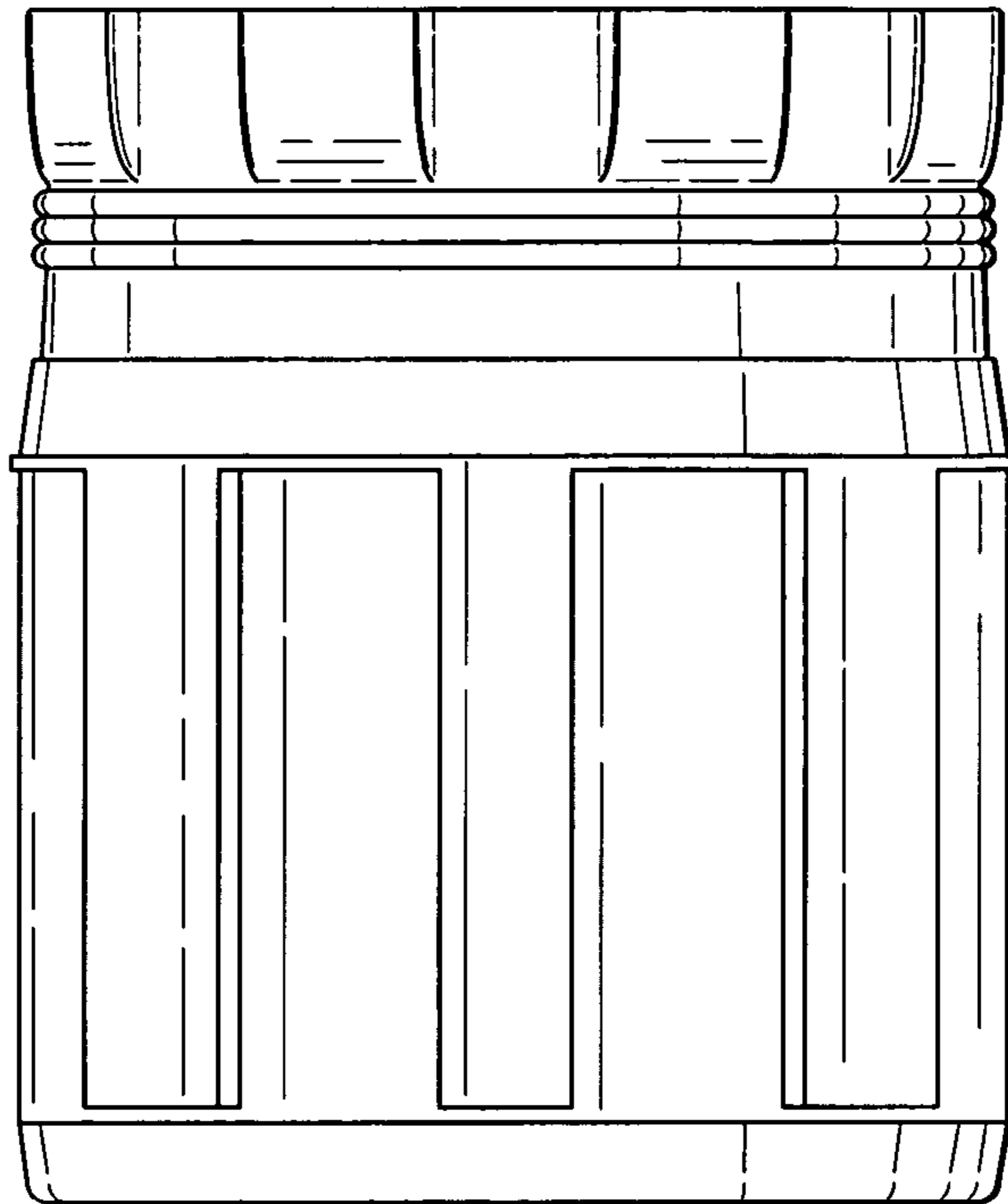
*Fig. 2*



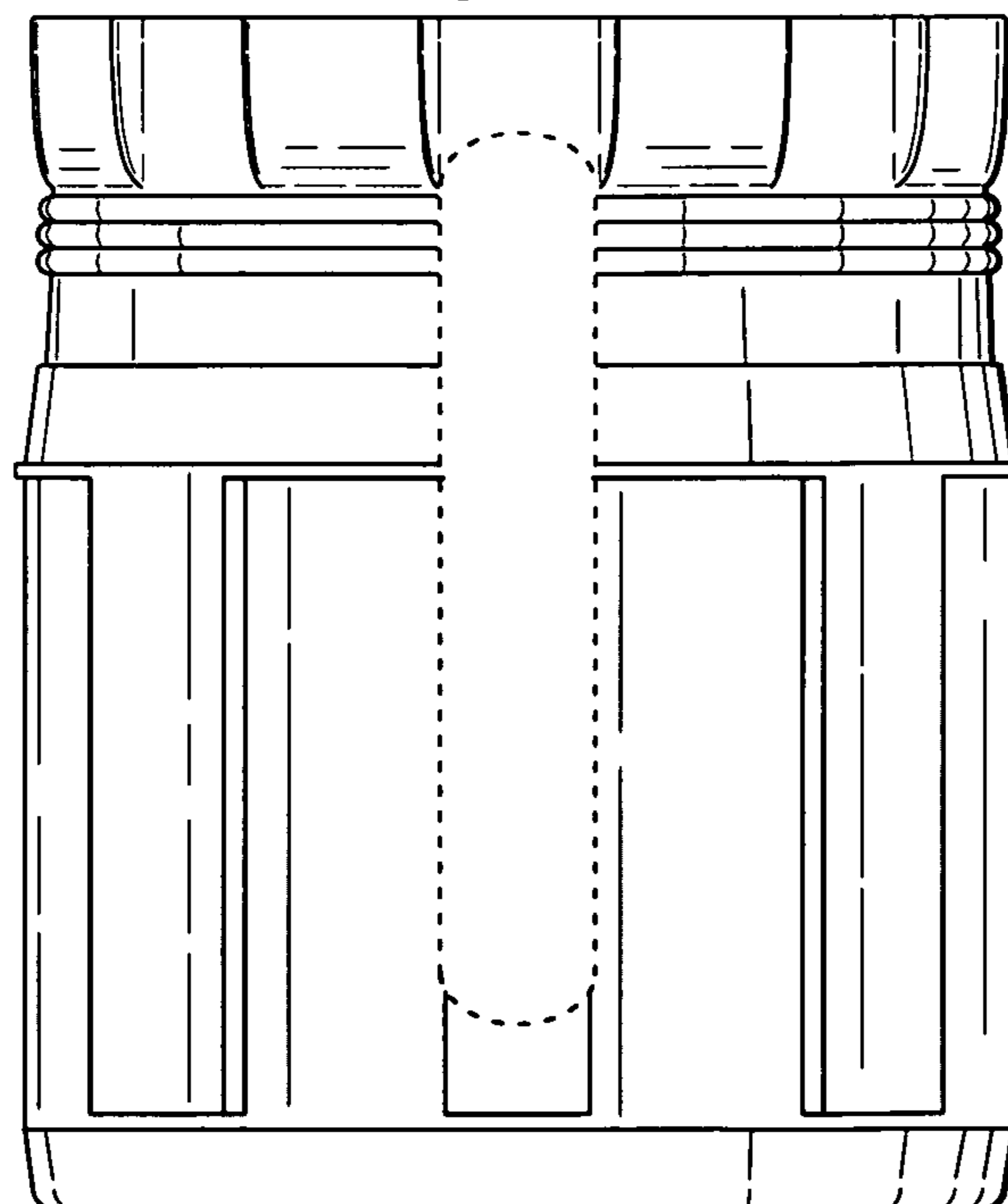
*Fig. 3*



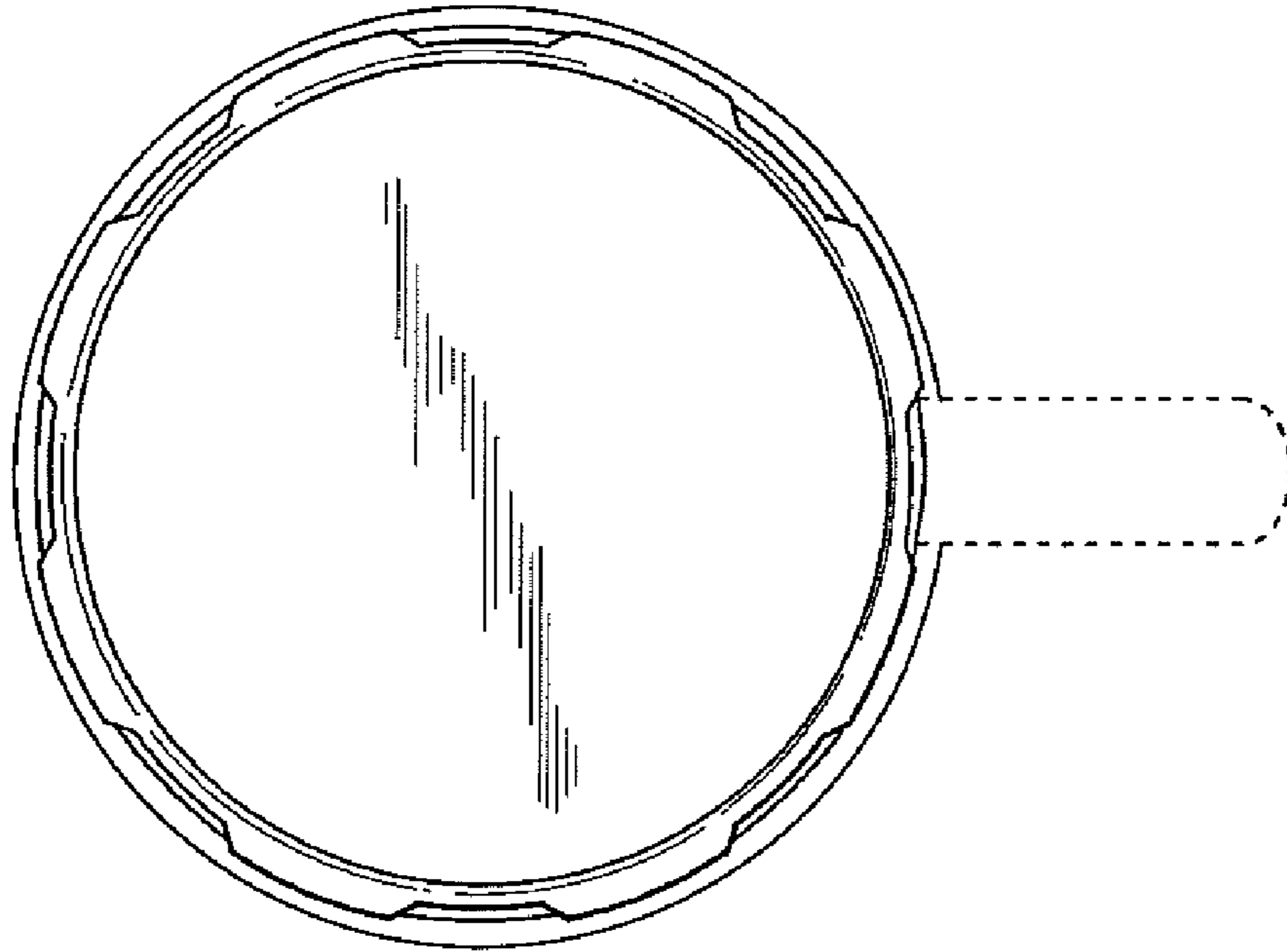
*Fig. 4*



*Fig. 5*



*Fig. 6*



*Fig. 7*

