



US00D574191S

(12) **United States Design Patent**  
**Ablo**

(10) **Patent No.:** **US D574,191 S**  
(45) **Date of Patent:** **\*\* Aug. 5, 2008**

(54) **DRINKING TUMBLER**  
(75) Inventor: **Famia E. Ablo**, Orlando, FL (US)  
(73) Assignee: **Dart Industries Inc.**, Orlando, FL (US)  
(\*\*) Term: **14 Years**

D454,304 S \* 3/2002 Kim et al. .... D9/429  
D454,469 S 3/2002 Jalet et al.  
D466,664 S \* 12/2002 Hsu ..... D34/1  
D473,426 S 4/2003 Jalet et al.  
D493,668 S 8/2004 Hsu  
D544,307 S 6/2007 Ablo  
D546,626 S \* 7/2007 Chou ..... D7/523  
2006/0254453 A1\* 11/2006 Leal et al. .... 102/513

(21) Appl. No.: **29/286,844**

\* cited by examiner

(22) Filed: **May 18, 2007**

*Primary Examiner*—Philip Hyder  
*Assistant Examiner*—Cynthia Underwood  
(74) *Attorney, Agent, or Firm*—John A. Doninger

(51) **LOC (8) Cl.** ..... **07-01**  
(52) **U.S. Cl.** ..... **D7/531; D7/523; D7/509**  
(58) **Field of Classification Search** ..... D7/396.1,  
D7/396.2, 500, 509, 510, 511, 523, 524, 526–528,  
D7/530–533, 536, 538, 540, 560, 565, 584;  
D9/516, 519, 549, 555, 776, 778; 215/387,  
215/DIG. 7; 220/560, 592.17, 703; 229/400,  
229/406

See application file for complete search history.

(57) **CLAIM**

The ornamental design for a drinking tumbler, as shown and described.

(56) **References Cited**

**DESCRIPTION**

**U.S. PATENT DOCUMENTS**

957,267 A \* 5/1910 Sowell ..... 229/5.5  
D204,783 S \* 5/1966 Johnson ..... D7/531  
D286,725 S 11/1986 Zieff  
D375,683 S 11/1996 Schoff  
D381,558 S \* 7/1997 Schaefer et al. .... D7/531  
D390,422 S 2/1998 Daenen et al.  
D437,733 S \* 2/2001 Kaposi ..... D7/531  
D453,447 S \* 2/2002 Bi ..... D7/531

FIG. 1 is a top, side and front perspective view of a drinking tumbler showing my new design;

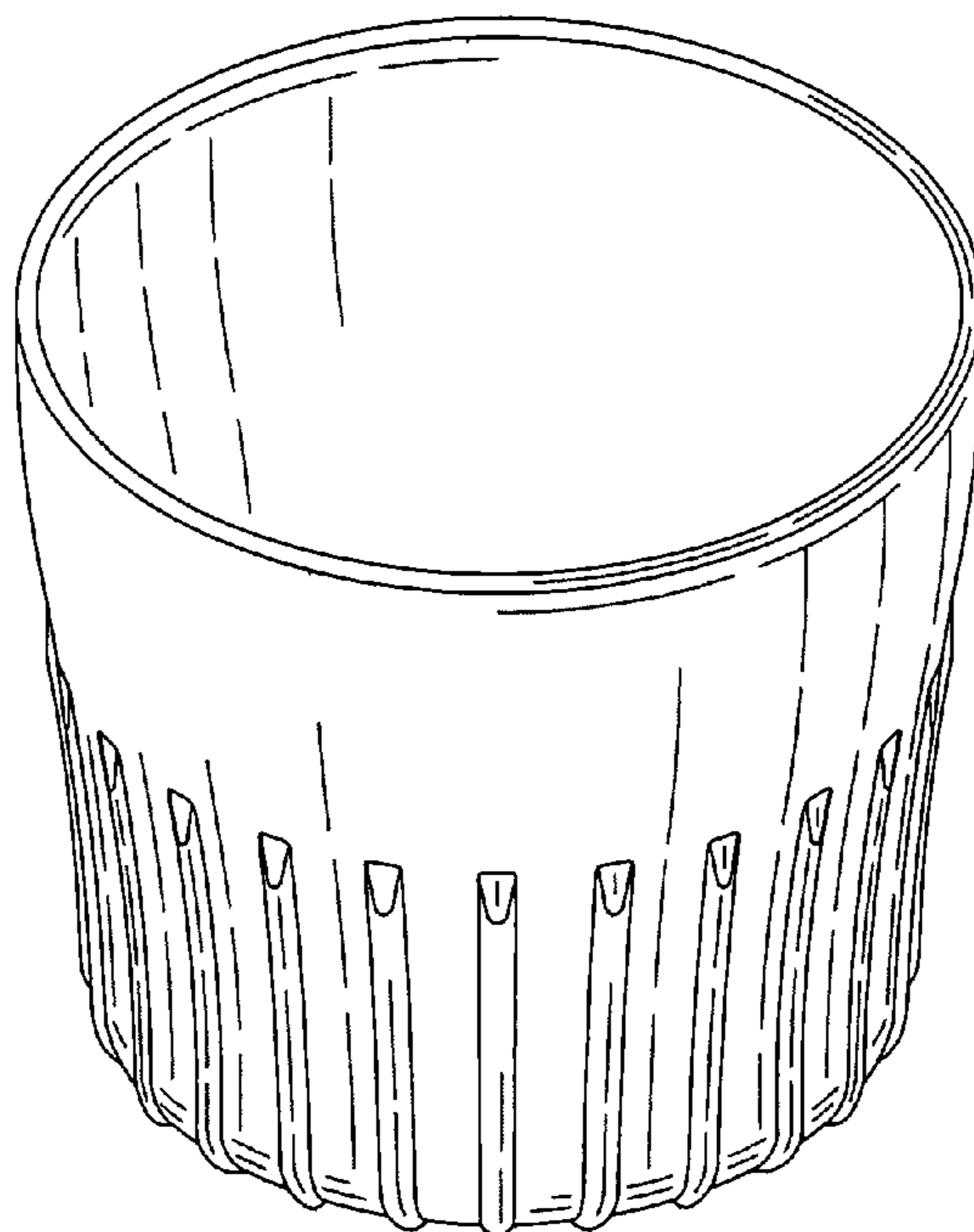
FIG. 2 is a front elevation view, the rear and side elevations being identical thereto;

FIG. 3 is a top plan view thereof; and,

FIG. 4 is a bottom plan view thereof.

The broken line portions of FIGS. 3 and 4 form no part of the claimed design.

**1 Claim, 2 Drawing Sheets**



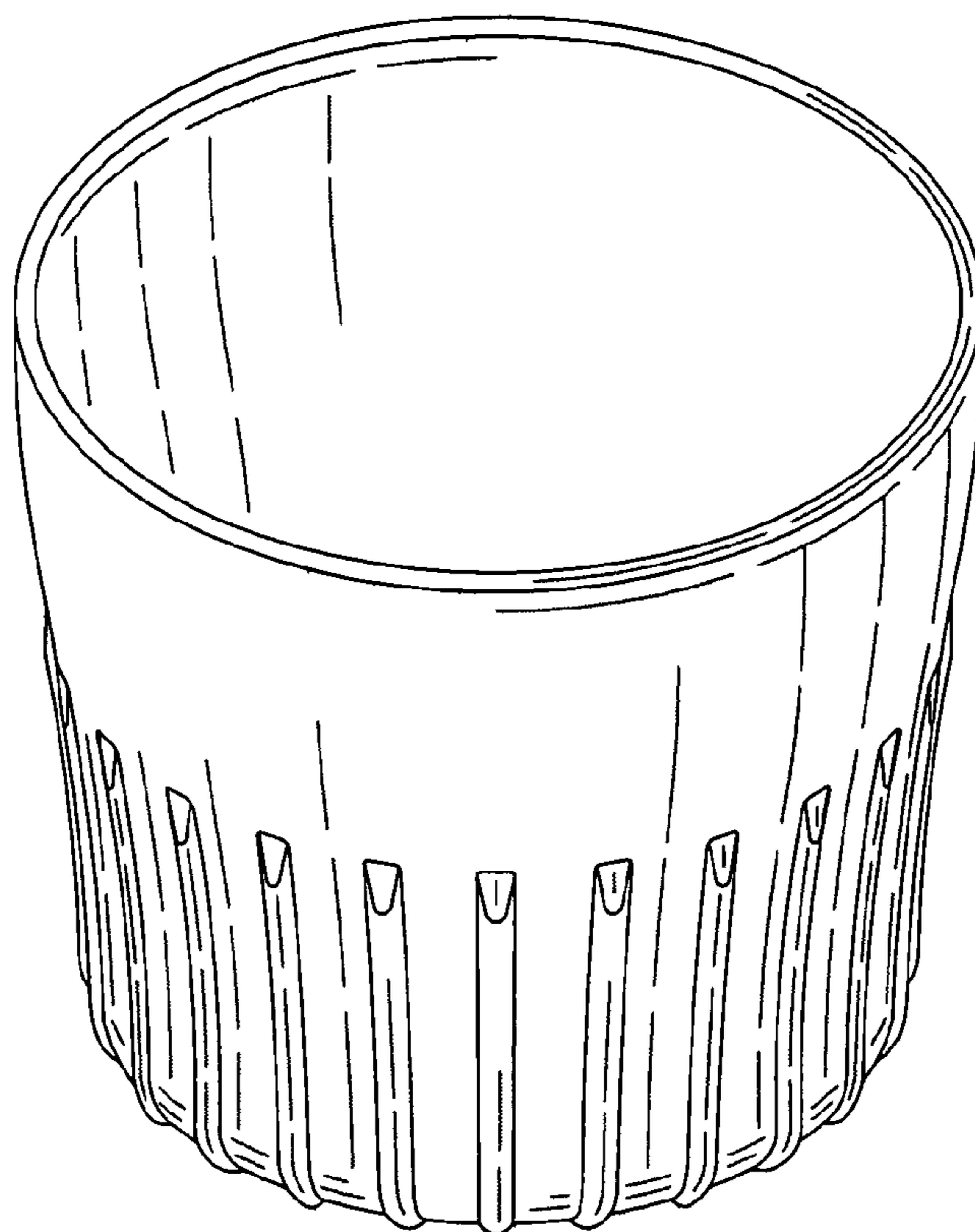


FIG. 1

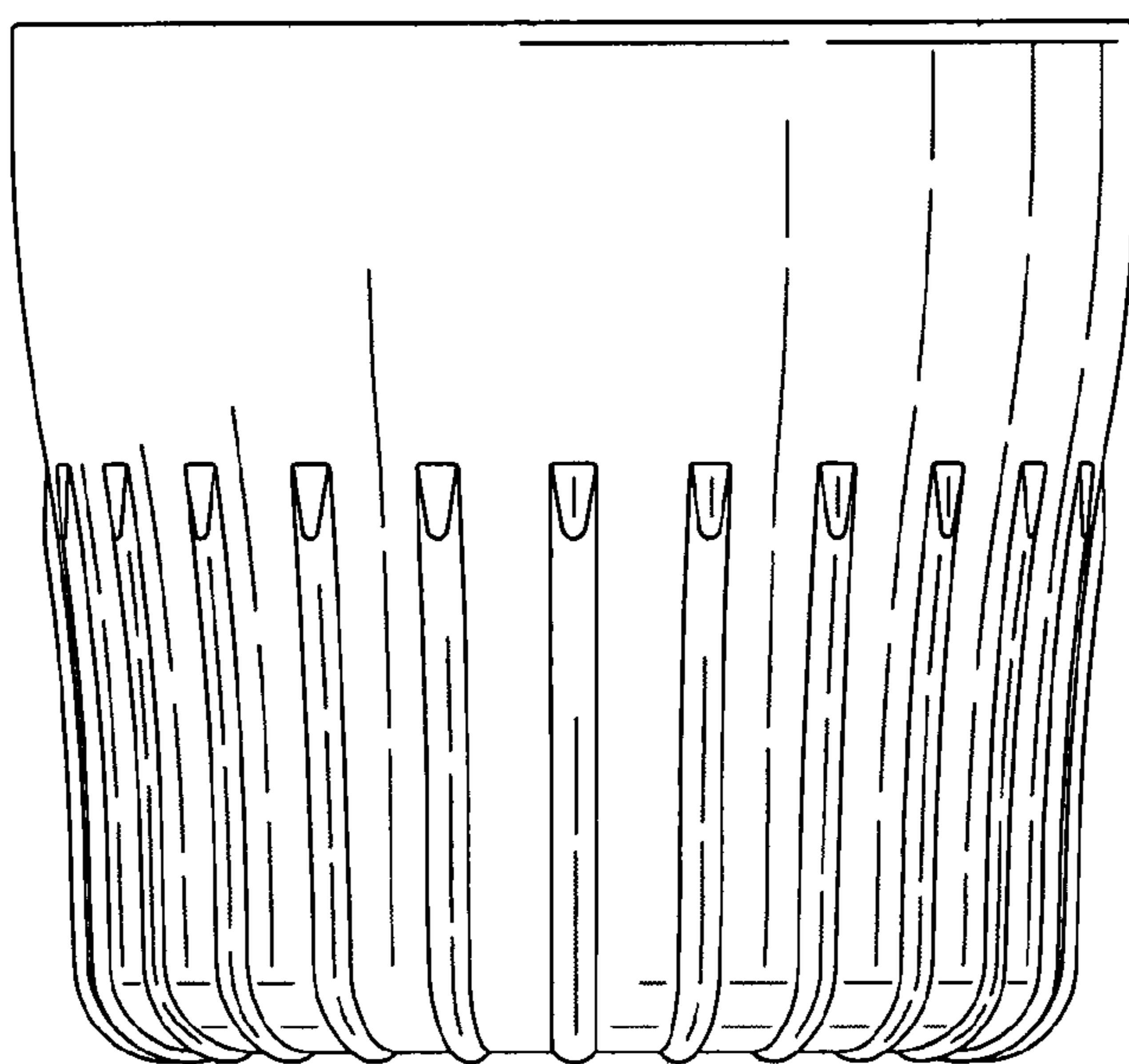


FIG. 2

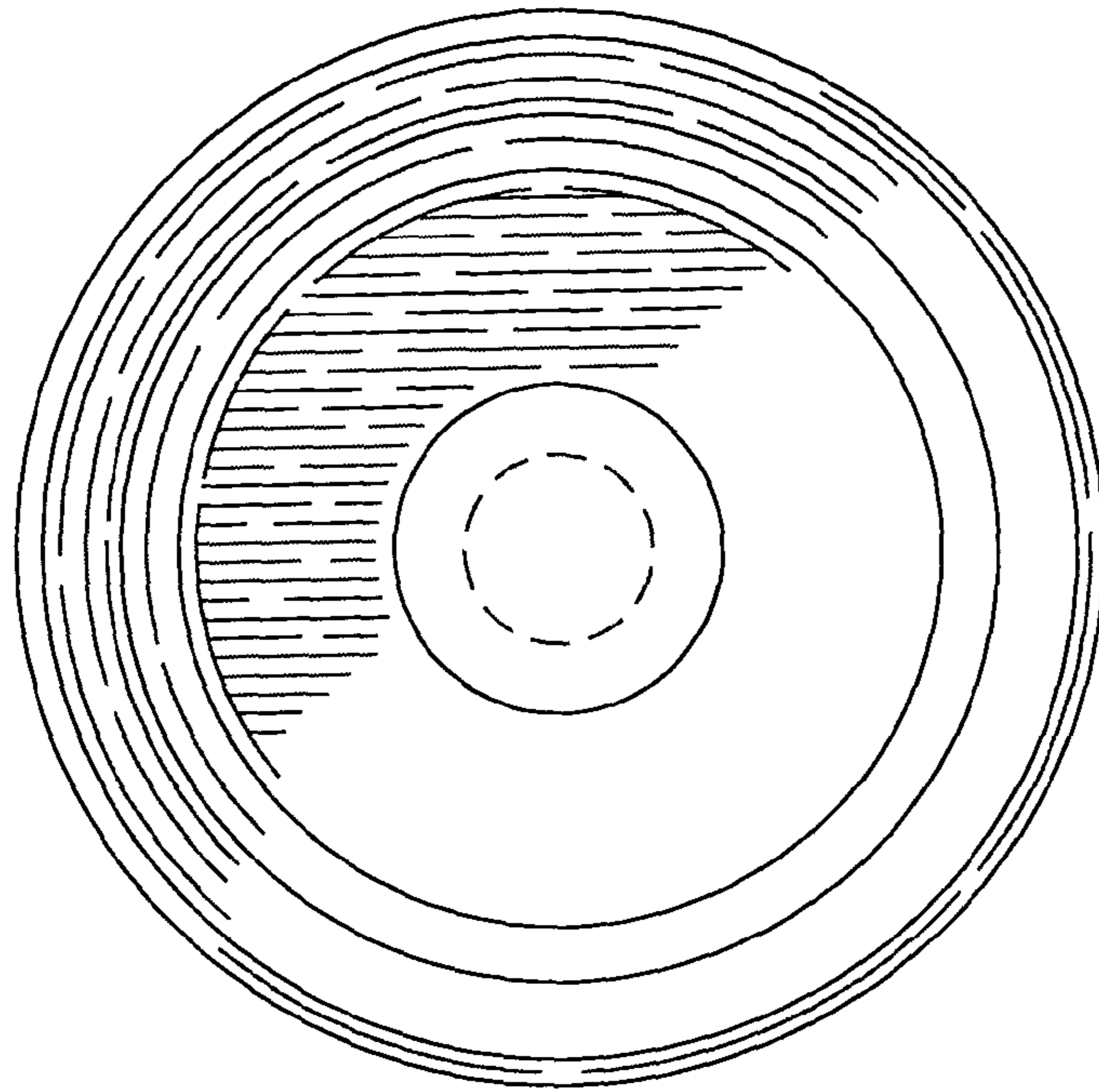


FIG. 3

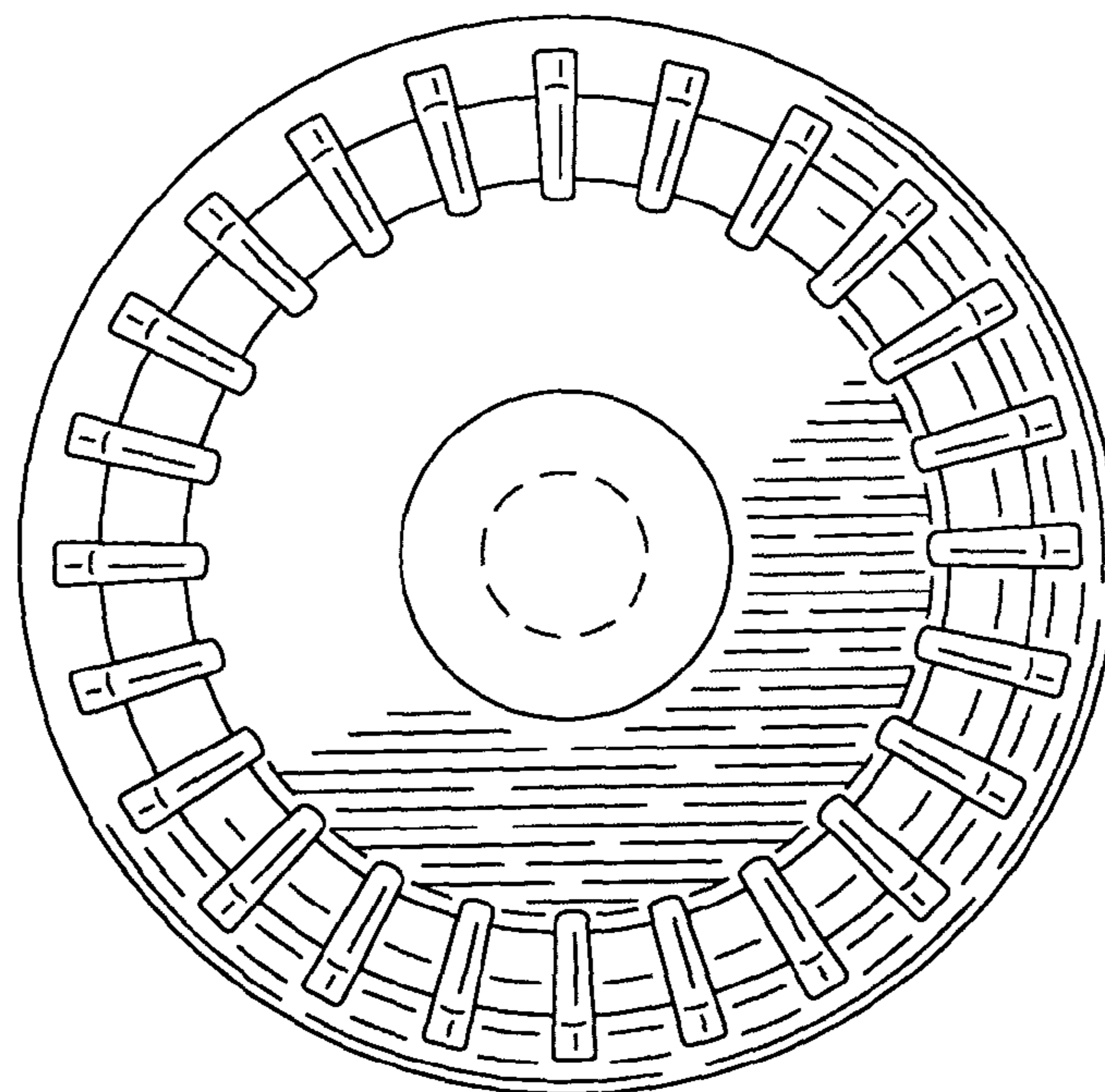


FIG. 4