



US00D574189S

(12) **United States Design Patent**
Stamper

(10) **Patent No.:** **US D574,189 S**

(45) **Date of Patent:** **** Aug. 5, 2008**

(54) **LUNCH SET**

(75) **Inventor:** **Leonard R. Stamper**, Lake Forest, CA (US)

(73) **Assignee:** **SHYE Worldwide LLC**, Lake Forest, CA (US)

(**) **Term:** **14 Years**

(21) **Appl. No.:** **29/301,731**

(22) **Filed:** **Mar. 14, 2008**

(51) **LOC (8) Cl.** **07-01**

(52) **U.S. Cl.** **D7/505**

(58) **Field of Classification Search** D7/505,
D7/507, 538, 549, 543, 550.1, 551.1, 552.2,
D7/553.1, 553.2, 553.5, 554.3, 559, 558;
D9/425, 418, 456, 761, 716, 717; D6/406.1-406.6;
206/216, 217, 561, 565, 564; 220/318, 574.1,
220/500-507, 217, 735, 212, 556
See application file for complete search history.

(56) **References Cited**

U.S. PATENT DOCUMENTS

| | | | | |
|---------------|---------|----------------------|-------|---------|
| D123,047 S * | 10/1940 | Brooks | | D28/77 |
| 3,679,093 A * | 7/1972 | Chang | | 220/574 |
| D226,446 S * | 3/1973 | Wilton | | D7/507 |
| 3,955,742 A * | 5/1976 | Marshall et al. | | 220/574 |
| 5,174,452 A * | 12/1992 | Wang | | 206/542 |
| D355,814 S * | 2/1995 | VanValkenburg et al. | | D7/629 |
| 5,443,174 A * | 8/1995 | Bauer | | 220/212 |

| | | | | |
|--------------|---------|----------------|-------|---------|
| D373,798 S * | 9/1996 | Yang | | D6/570 |
| D383,806 S * | 9/1997 | Yang | | D21/483 |
| D510,502 S * | 10/2005 | Tollman | | D7/505 |
| D510,503 S * | 10/2005 | Tollman | | D7/505 |
| D513,979 S * | 1/2006 | Snedden et al. | | D9/425 |

* cited by examiner

Primary Examiner—Philip Hyder

Assistant Examiner—Cynthia Underwood

(74) *Attorney, Agent, or Firm*—Curtis L. Harrington; Kathy E. Harrington; Harrington & Harrington

(57) **CLAIM**

The ornamental design for a lunch set, as shown and described.

DESCRIPTION

FIG. 1 is a perspective view of the lunch set with optional pressure valves shown in dashed line format and forming no part of the invention hereof;

FIG. 2 is a left side view thereof;

FIG. 3 is a right side view thereof;

FIG. 4 is a back view thereof;

FIG. 5 is a front view thereof;

FIG. 6 is a top view thereof, with optional pressure valves shown in dashed line format and forming no part of the invention hereof; and,

FIG. 7 is a bottom view thereof.

1 Claim, 5 Drawing Sheets

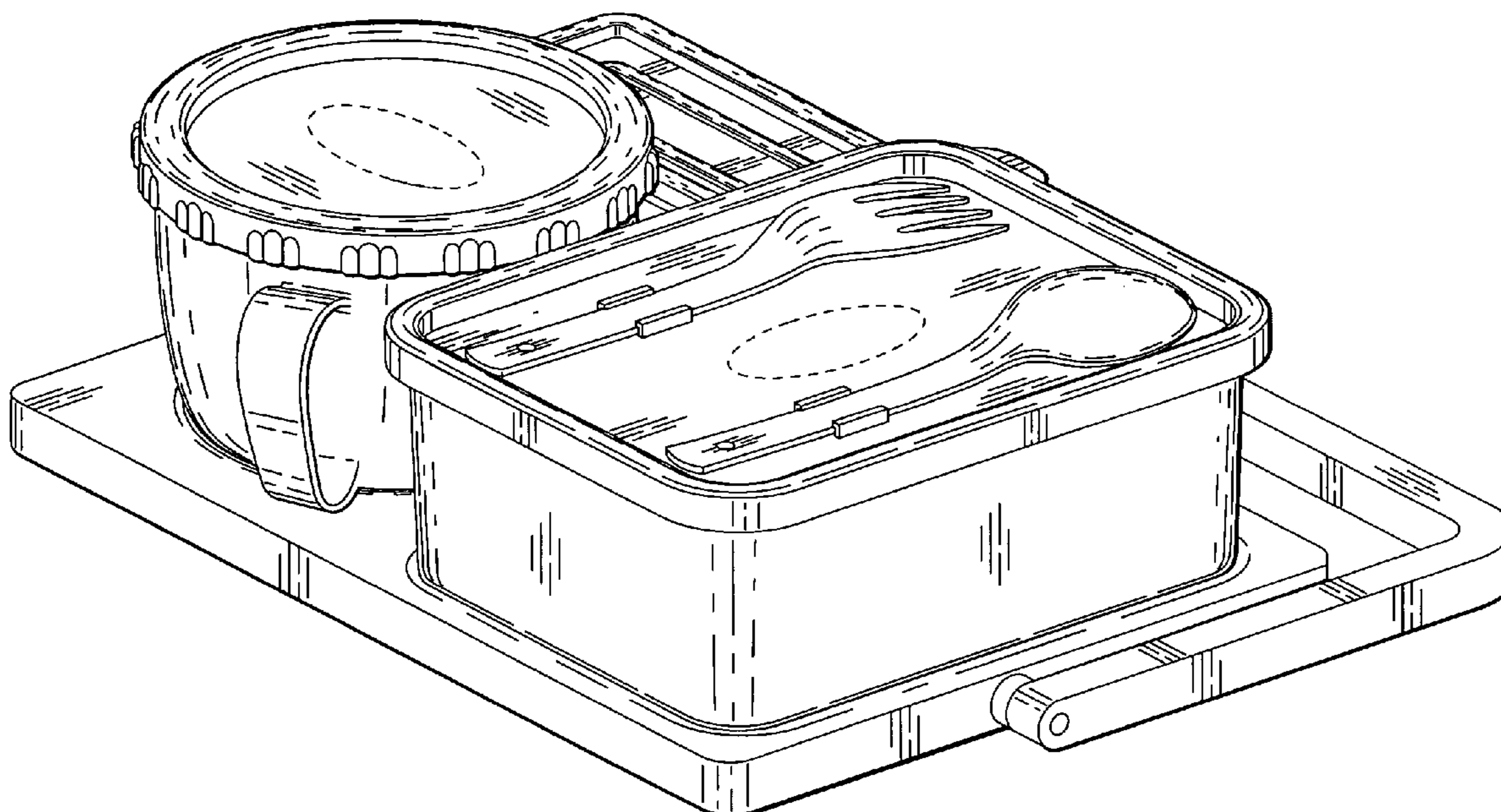


Fig. 1

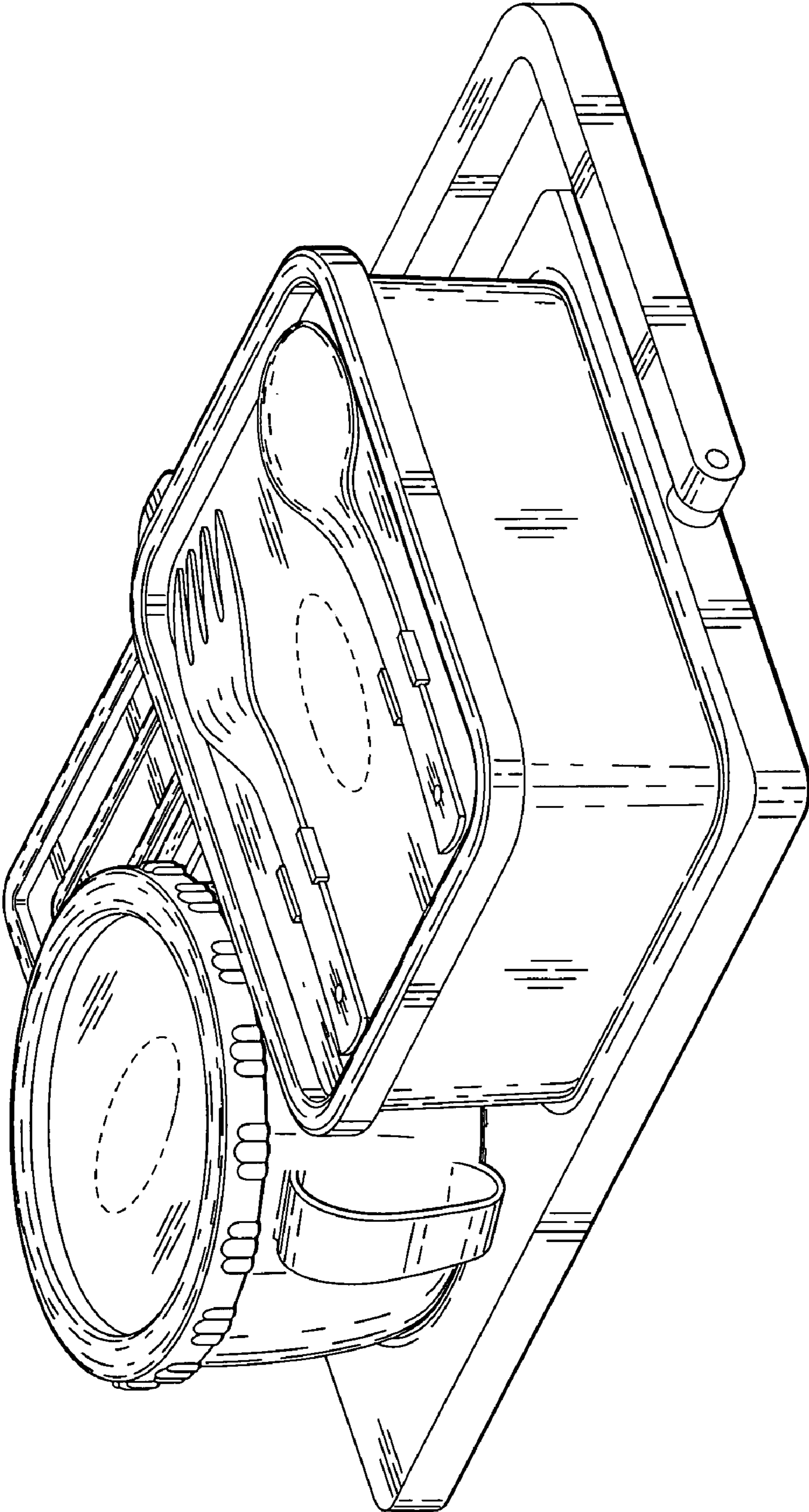


Fig. 2

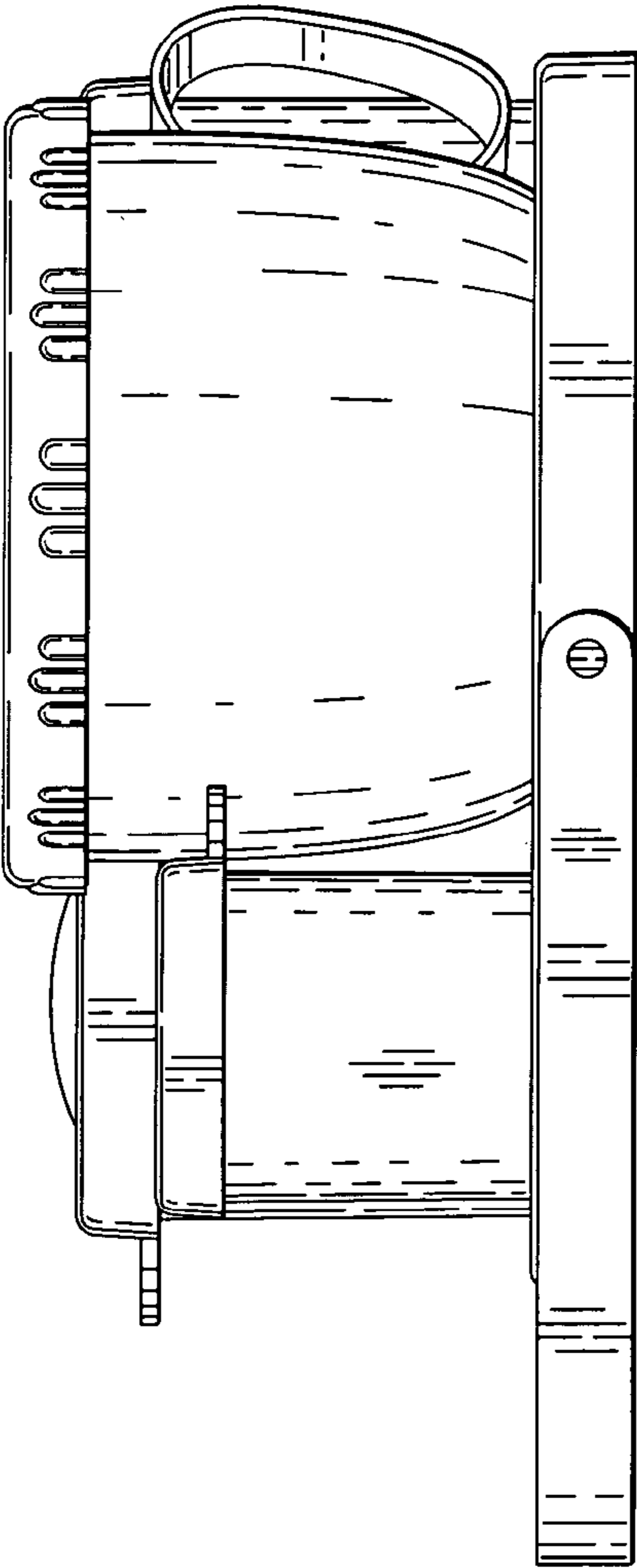


Fig. 3

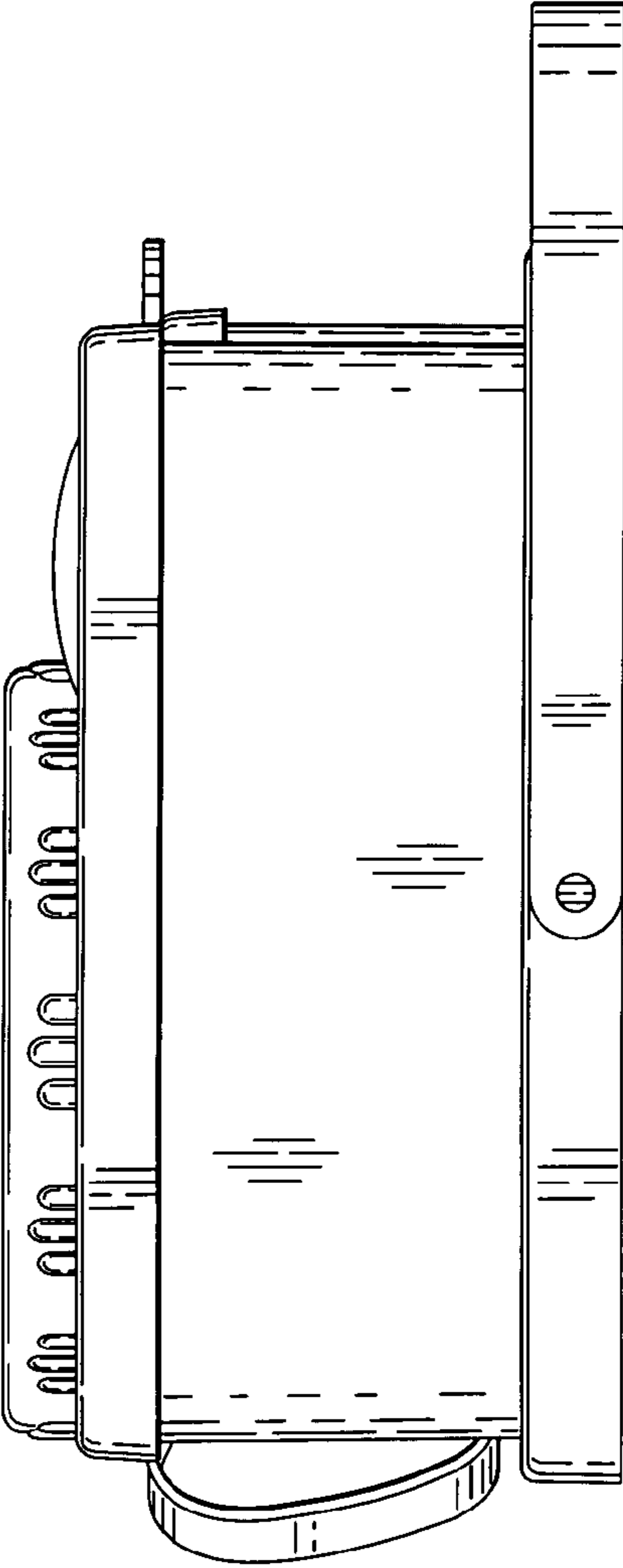


Fig. 5

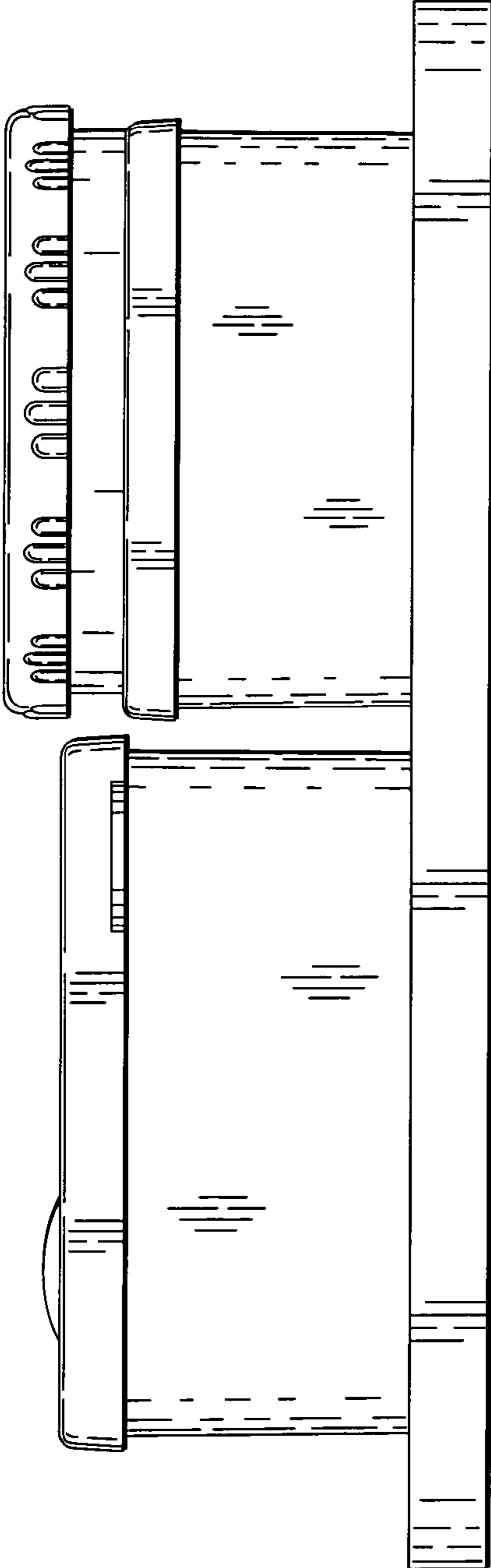
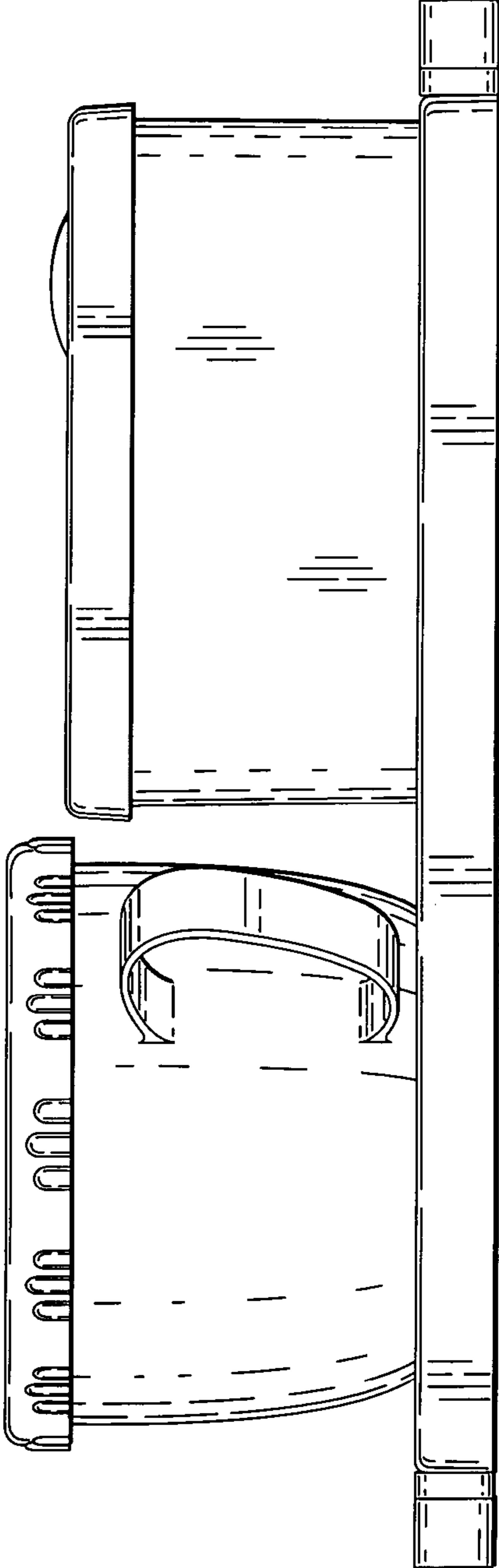


Fig. 4



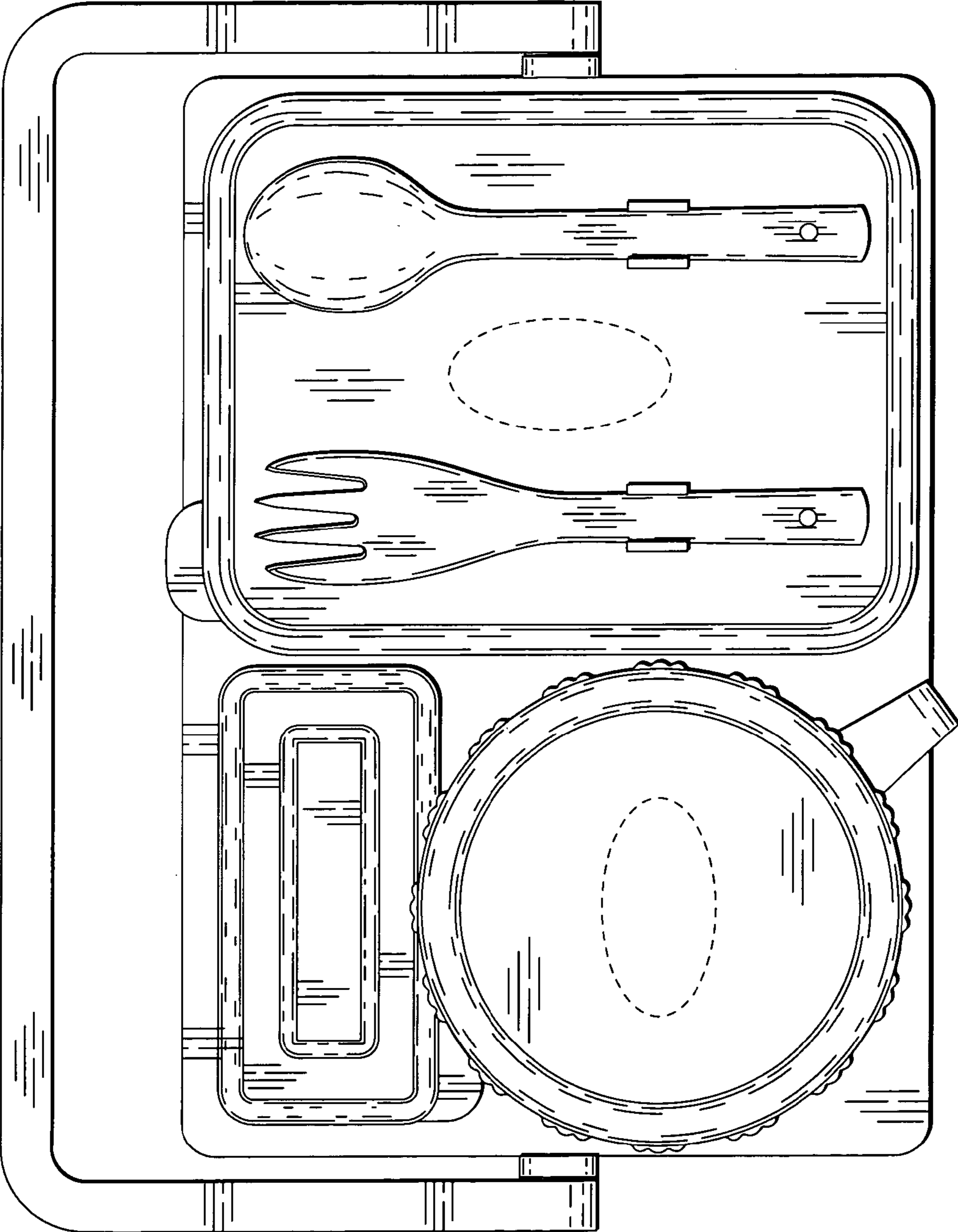


Fig. 6

Fig. 7

