



US00D574186S

(12) **United States Design Patent**
Kuan

(10) **Patent No.:** **US D574,186 S**

(45) **Date of Patent:** **** Aug. 5, 2008**

(54) **GRATER AND SLICER PROCESSOR**

(76) Inventor: **Huo Feng Hsia Kuan**, No. 32, Lane 2,
Show-Gang Wu Street, Hsin-Tien, Taipei
Hsien (TW)

(**) Term: **14 Years**

(21) Appl. No.: **29/290,919**

(22) Filed: **Jan. 30, 2008**

(51) **LOC (8) Cl.** **07-02**

(52) **U.S. Cl.** **D7/412; D7/384**

(58) **Field of Classification Search** D7/372,
D7/376-386, 412-414, 505, 665, 673, 678,
D7/693, 695; 83/425.3, 858; 99/492, 495,
99/509-511; 100/213-218; 241/93, 95,
241/166-169, 273.1-273.4, 274-278.2, 285.1-285.3,
241/291, 292.1; 366/64-67, 98, 197-207,
366/241-254, 279-292, 341-343
See application file for complete search history.

(56) **References Cited**

U.S. PATENT DOCUMENTS

3,137,333 A * 6/1964 Nishina 241/273.2
D224,674 S * 8/1972 Ashton D7/505
4,733,589 A * 3/1988 Wolff 83/858
D399,711 S * 10/1998 Cohen et al. D7/673

D426,743 S * 6/2000 Wong D7/384
D426,744 S * 6/2000 Wong D7/384
D480,613 S * 10/2003 Wong D7/693
D498,650 S * 11/2004 Boilen D7/678
2004/0231482 A1 * 11/2004 Boilen 83/425.3

* cited by examiner

Primary Examiner—Stella M. Reid

Assistant Examiner—Ricky Pham

(74) *Attorney, Agent, or Firm*—Troxell Law Office, PLLC

(57) **CLAIM**

The ornamental design for a grater and slicer processor, as shown.

DESCRIPTION

FIG. 1 is a perspective view of a grater and slicer processor showing the design;

FIG. 2 is a front side view thereof;

FIG. 3 is a rear side view thereof;

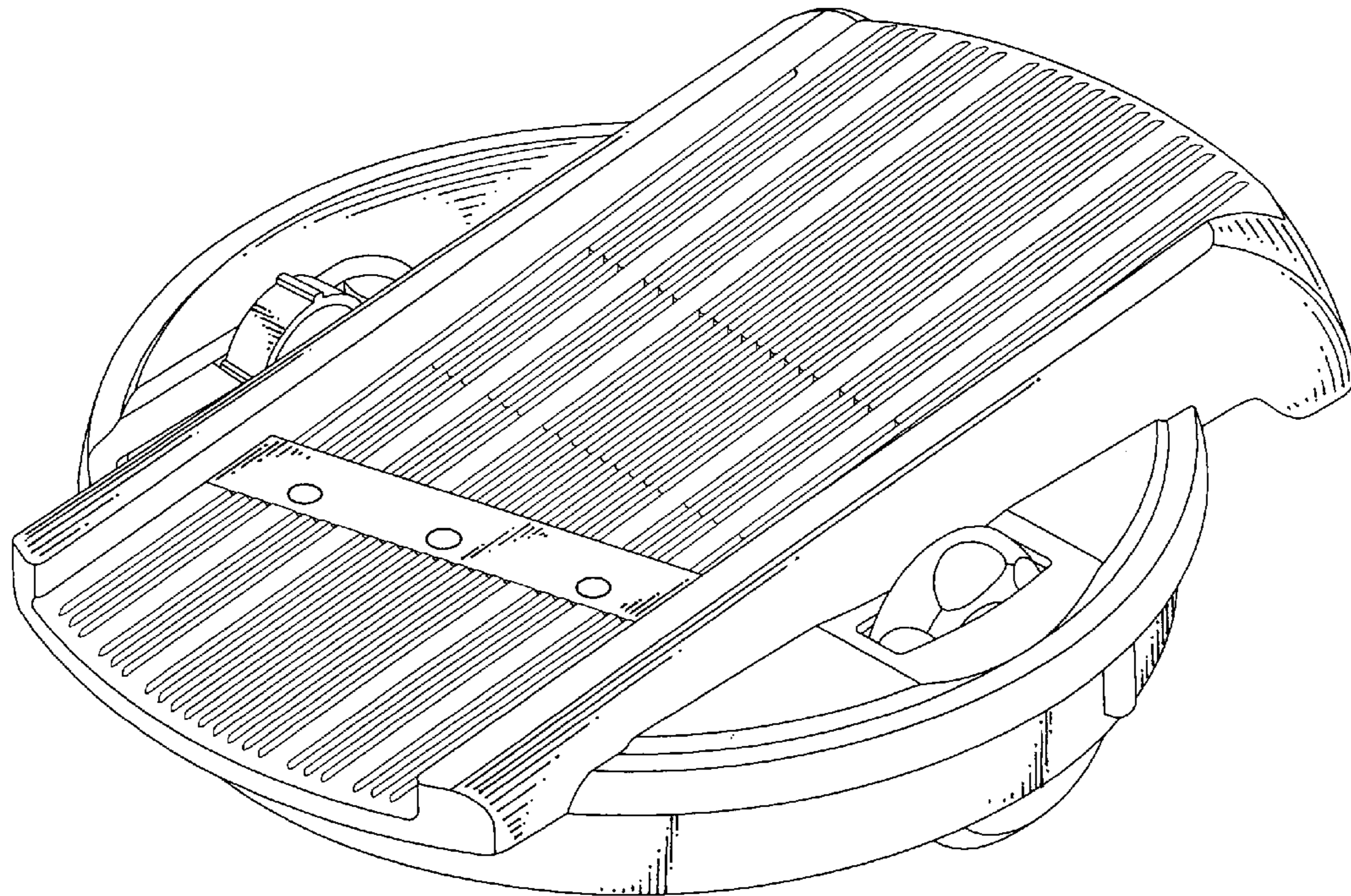
FIG. 4 is a top elevation view thereof;

FIG. 5 is a bottom elevation view thereof;

FIG. 6 is a right side view thereof; and,

FIG. 7 is a left side view thereof.

1 Claim, 5 Drawing Sheets



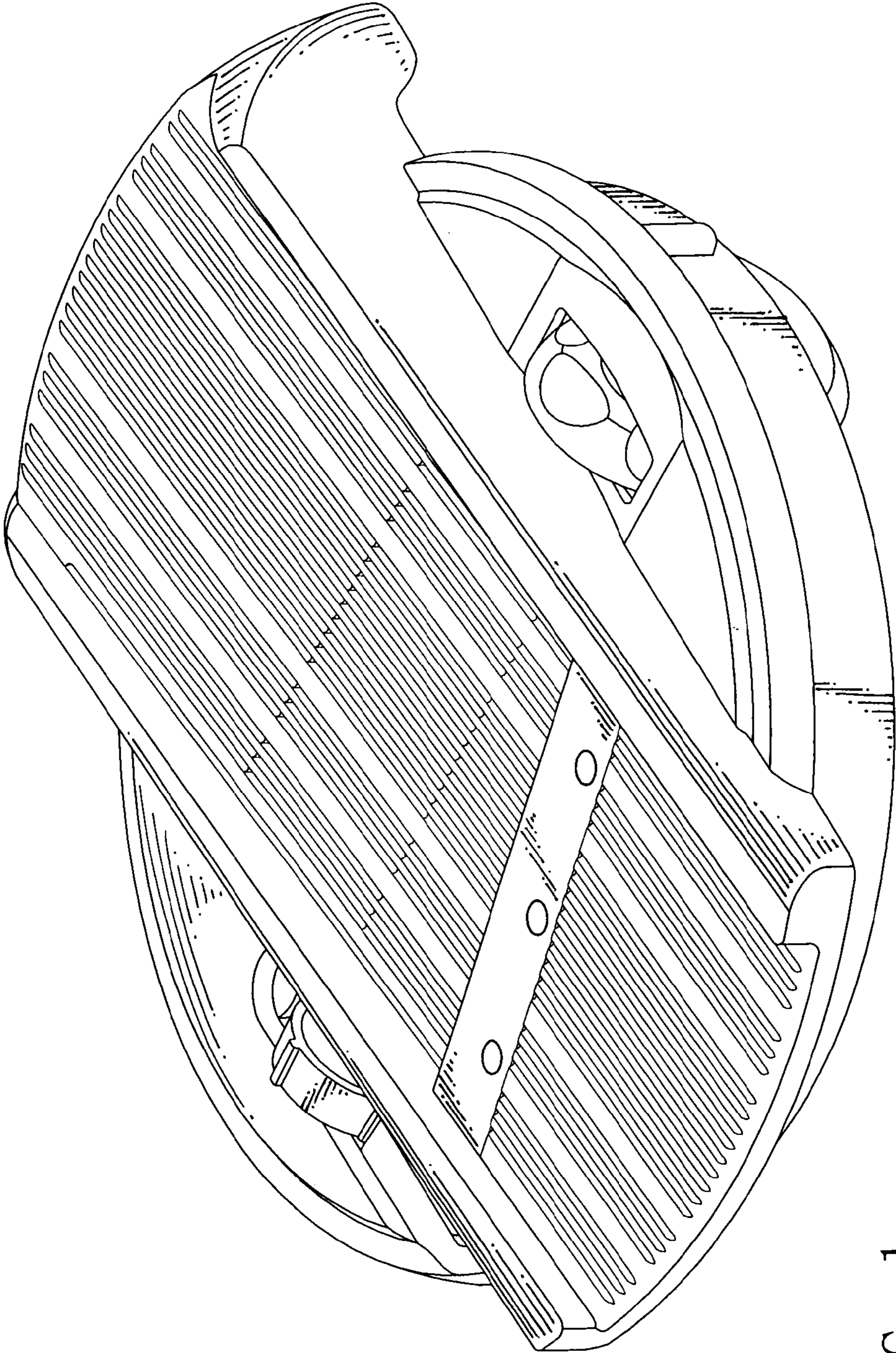


FIG. 1

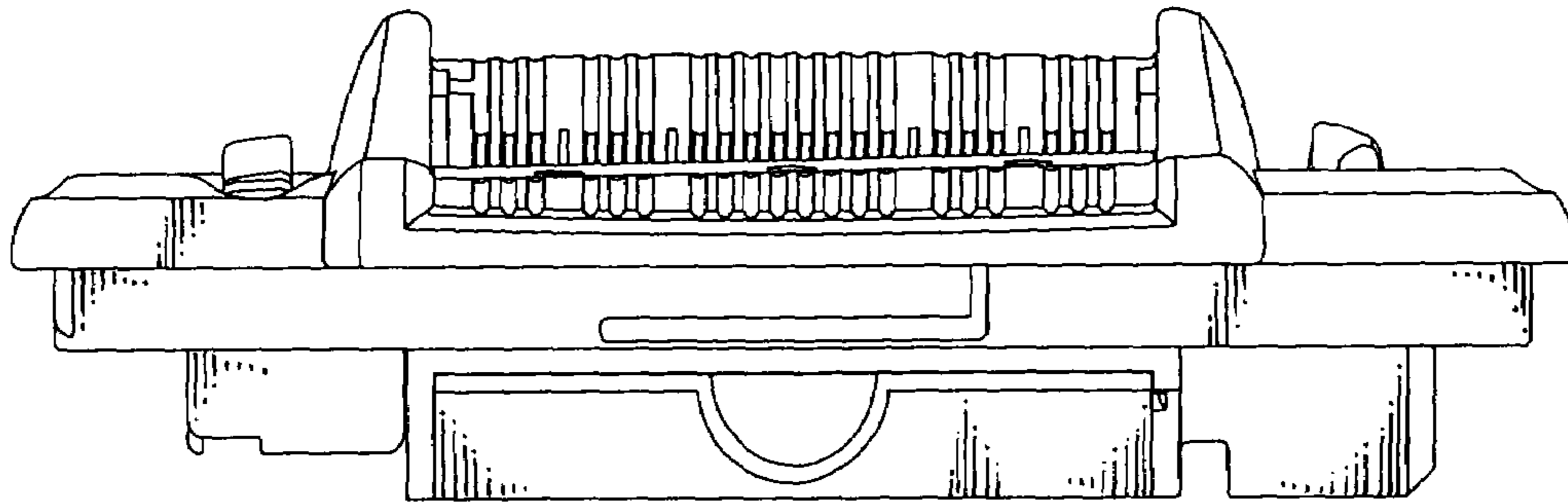


FIG. 2

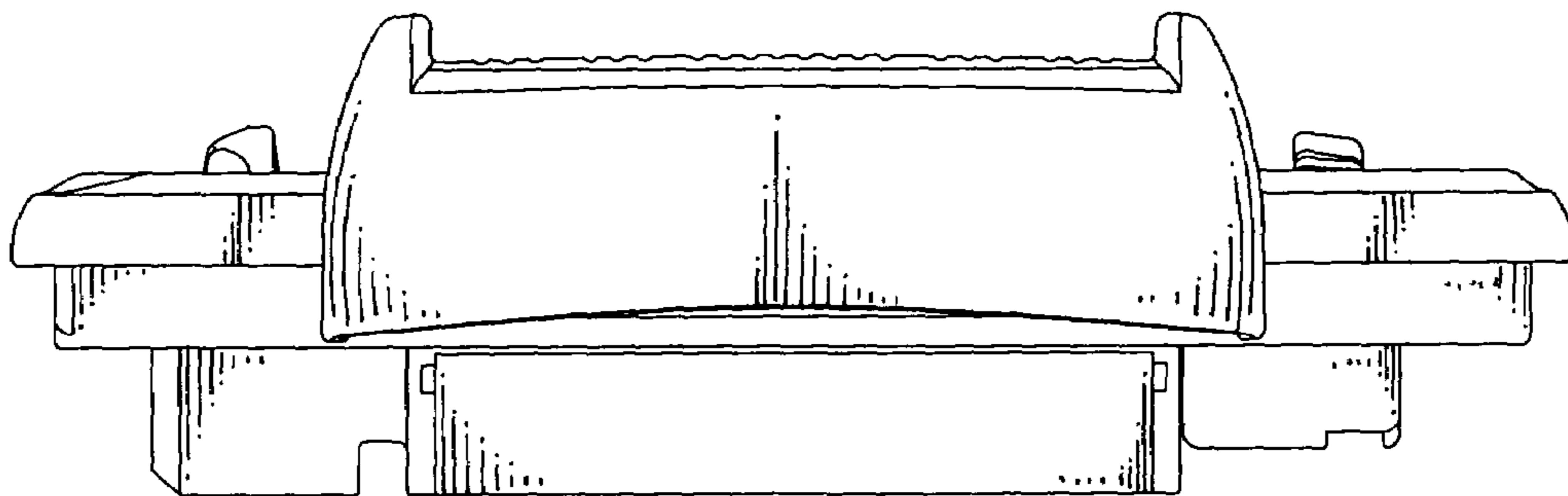


FIG. 3

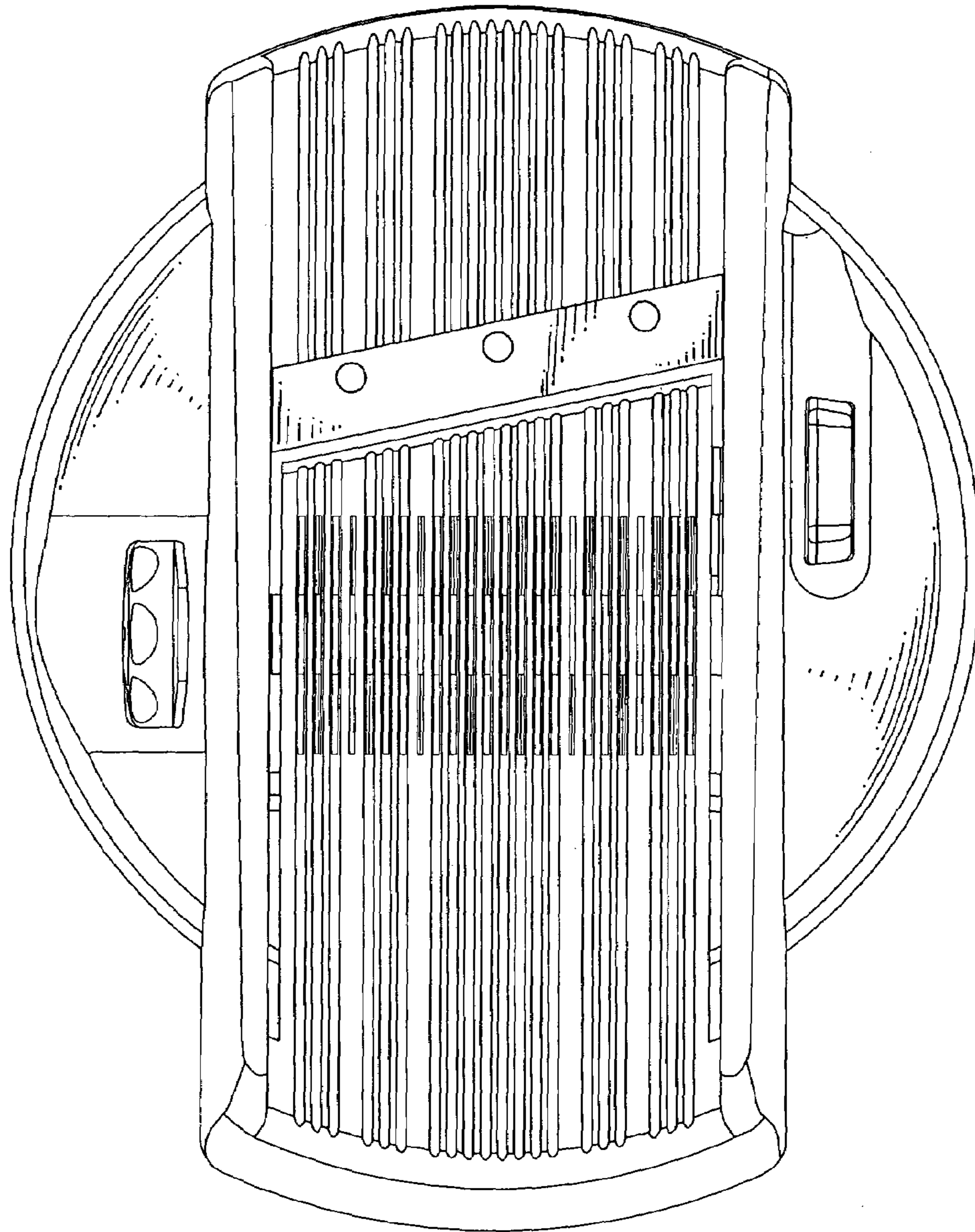


FIG. 4

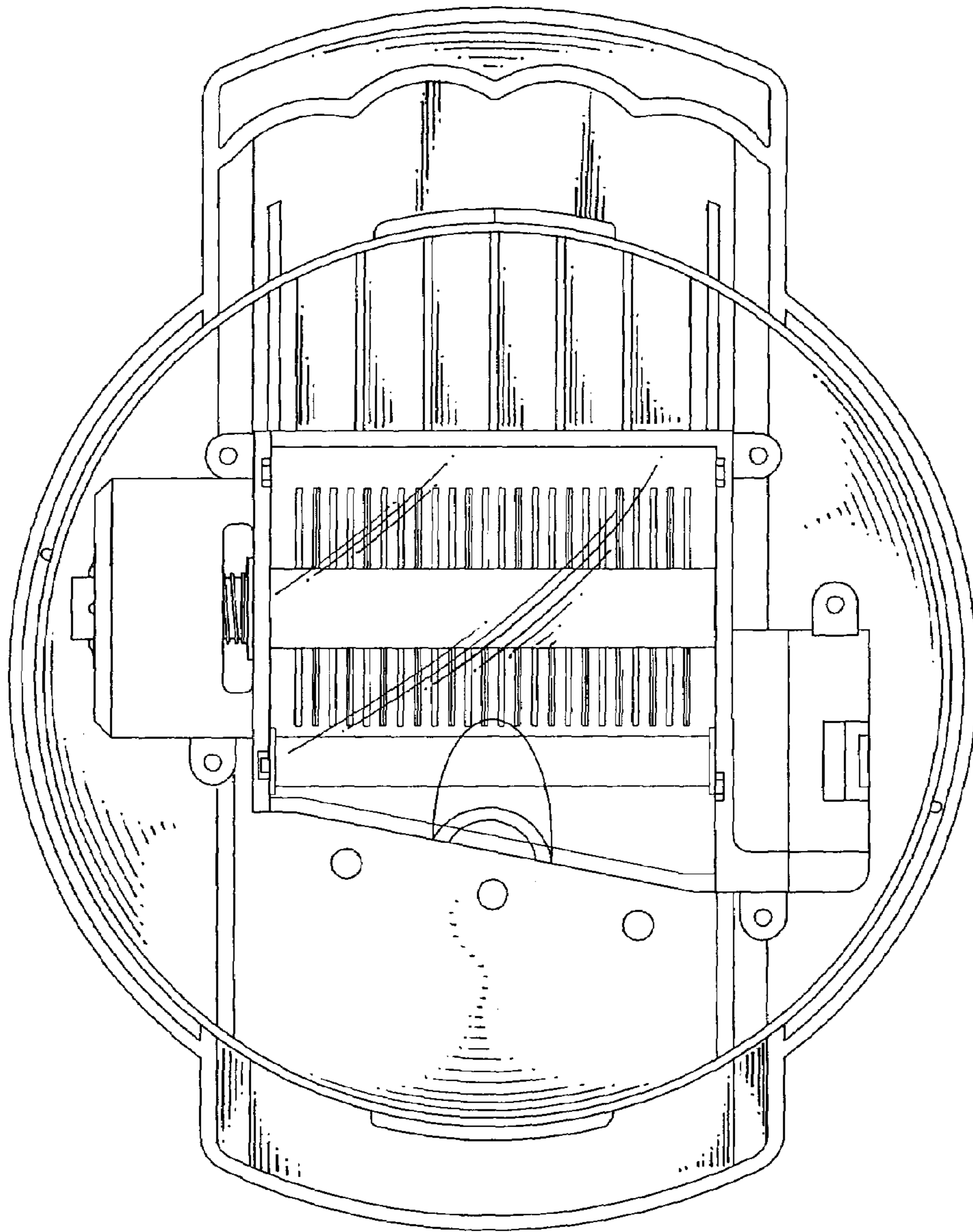


FIG. 5

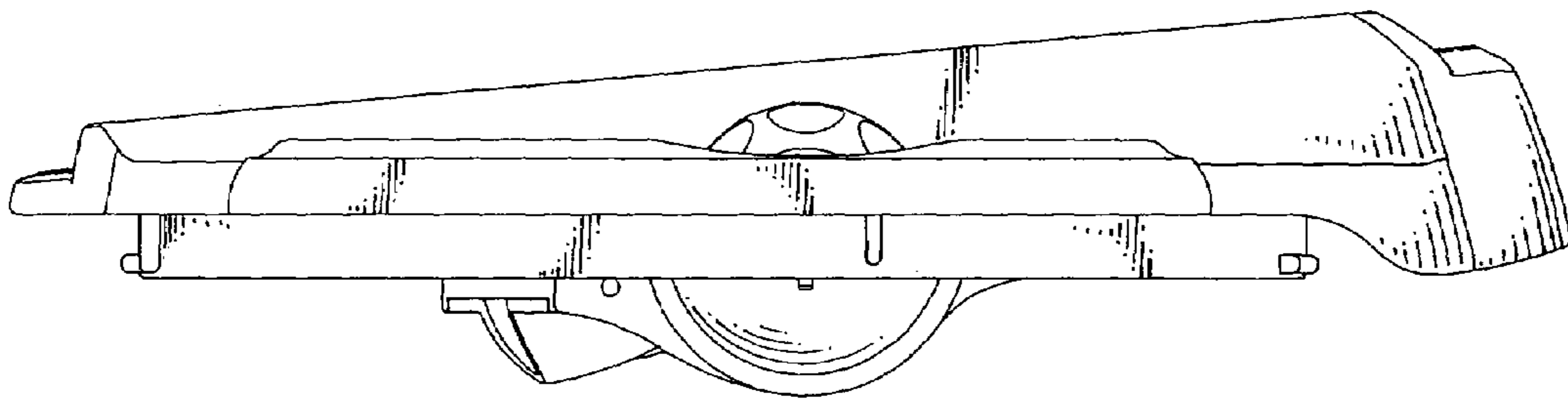


FIG. 6

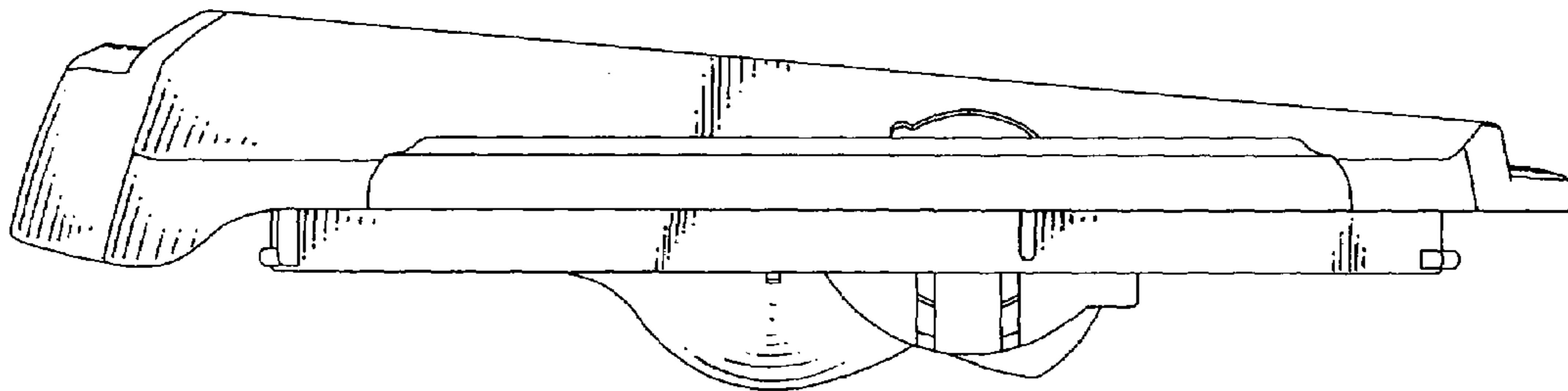


FIG. 7