



US00D574183S

(12) **United States Design Patent**
Broom

(10) **Patent No.:** **US D574,183 S**

(45) **Date of Patent:** **** Aug. 5, 2008**

(54) **GOURMET BOWL MAKER**

(76) **Inventor:** **Gregory Alan Broom**, 809 Willow Crest Dr., Richardson, TX (US) 75081

(**) **Term:** **14 Years**

(21) **Appl. No.:** **29/285,153**

(22) **Filed:** **Mar. 22, 2007**

(51) **LOC (8) Cl.** **07-02**

(52) **U.S. Cl.** **D7/359; D7/354**

(58) **Field of Classification Search** D3/294;
D6/634; D7/323, 354-361, 392.1, 393, 396.1,
D7/412, 505, 540-545, 550.1, 551.1, 552.1,
D7/553.1, 553.4-553.8, 584, 602, 698; D9/414,
D9/420-432, 757; D11/143; D15/78; D28/93;
99/324, 339, 422, 426, 446, 448; 206/457,
206/506, 553; 220/4.21, 23.2-23.8, 309.1,
220/367.1, 376-377, 573.1-573.4, 574, 912;
249/77, 66.1, 122; 426/505

See application file for complete search history.

(56) **References Cited**

U.S. PATENT DOCUMENTS

1,476,910 A * 12/1923 Naugle 249/122
2,097,356 A * 10/1937 Truesdale 249/122
2,290,396 A * 7/1942 Webster 249/66.1
2,599,853 A * 6/1952 McClain et al. 220/23.4

D215,907 S * 11/1969 Little D28/93
D360,112 S * 7/1995 McEntee D7/584
D369,717 S * 5/1996 Chiba D7/354
D481,584 S * 11/2003 Nolan D7/357
D481,905 S * 11/2003 Nolan D7/357
D488,741 S * 4/2004 Moya D11/143
D508,632 S * 8/2005 Nolan D7/412
D527,224 S * 8/2006 Roth et al. D7/540
2005/0242099 A1 * 11/2005 Berryhill 220/573.1

* cited by examiner

Primary Examiner—Caron D. Veynar

Assistant Examiner—Ricky Pham

(57) **CLAIM**

I claim the ornamental design for a gourmet bowl maker, as shown.

DESCRIPTION

FIG. 1 is a perspective view of my gourmet bowl maker showing my new design;

FIG. 2 is a side view of my gourmet bowl maker.

FIG. 3 is a top plan view of my gourmet bowl maker.

FIG. 4 is a cross-sectional view taken along line 4—4 of FIG. 3; and,

FIG. 5 is a bottom plan of my gourmet bowl maker.

1 Claim, 2 Drawing Sheets

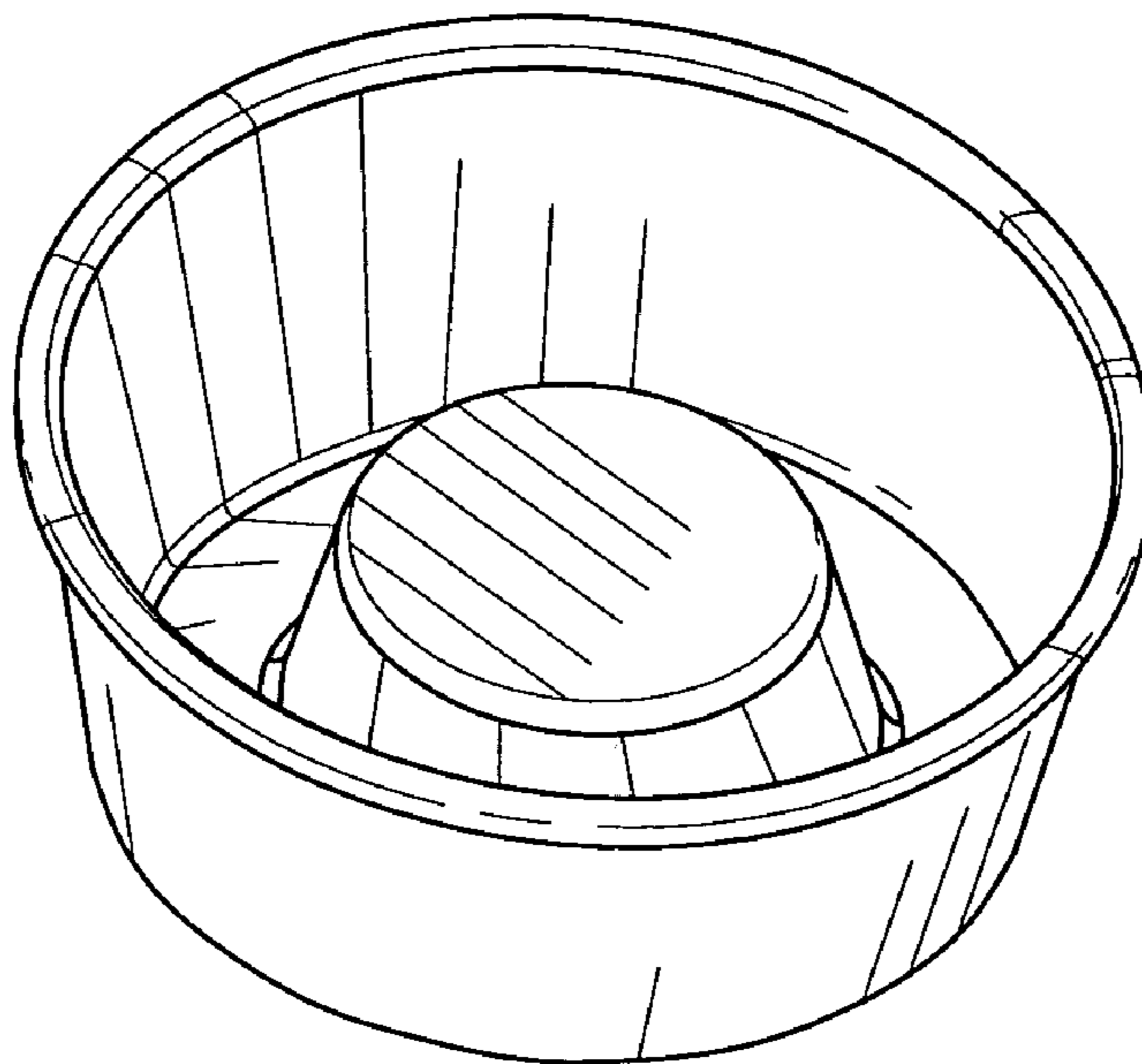


FIG. 1

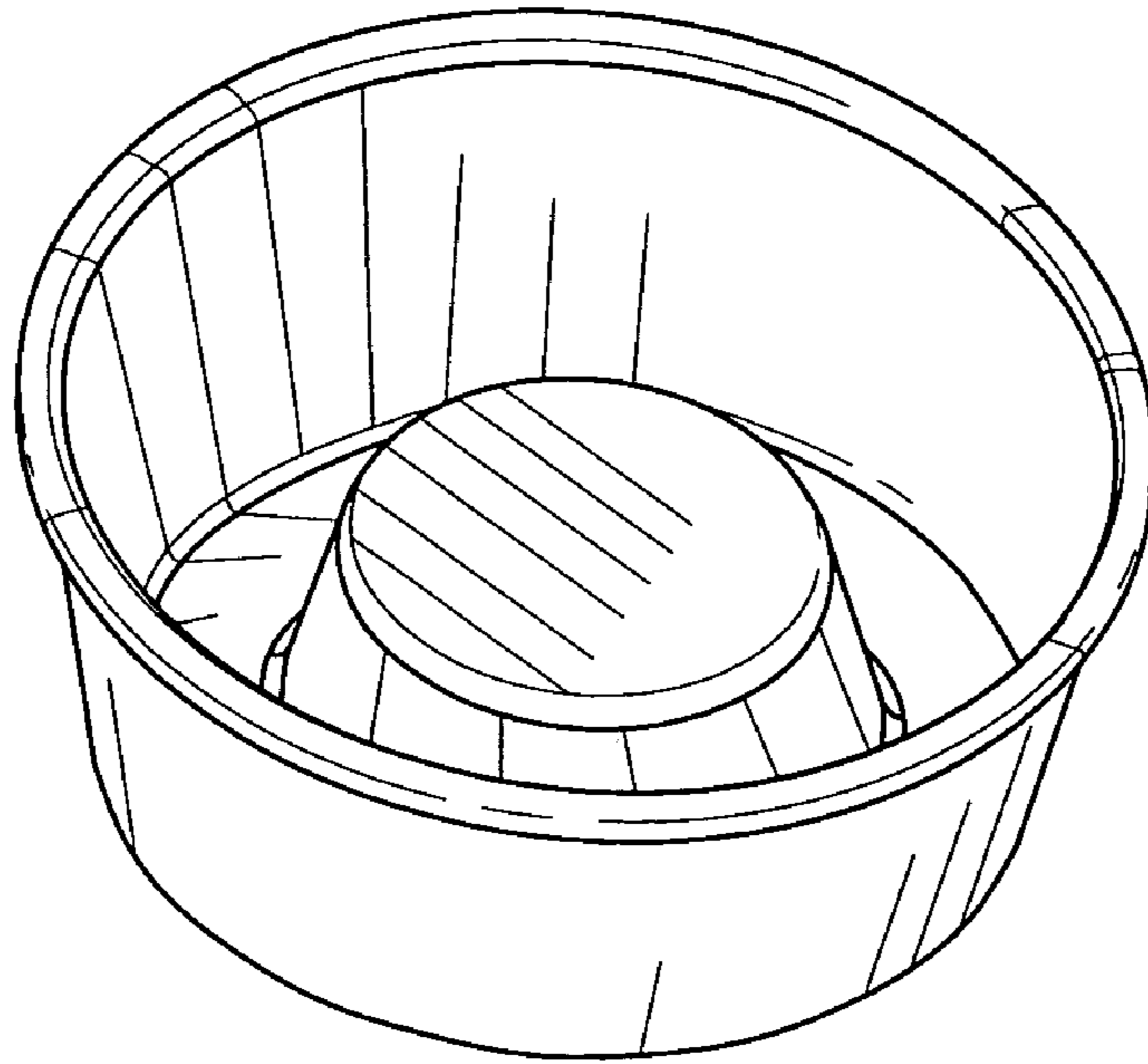
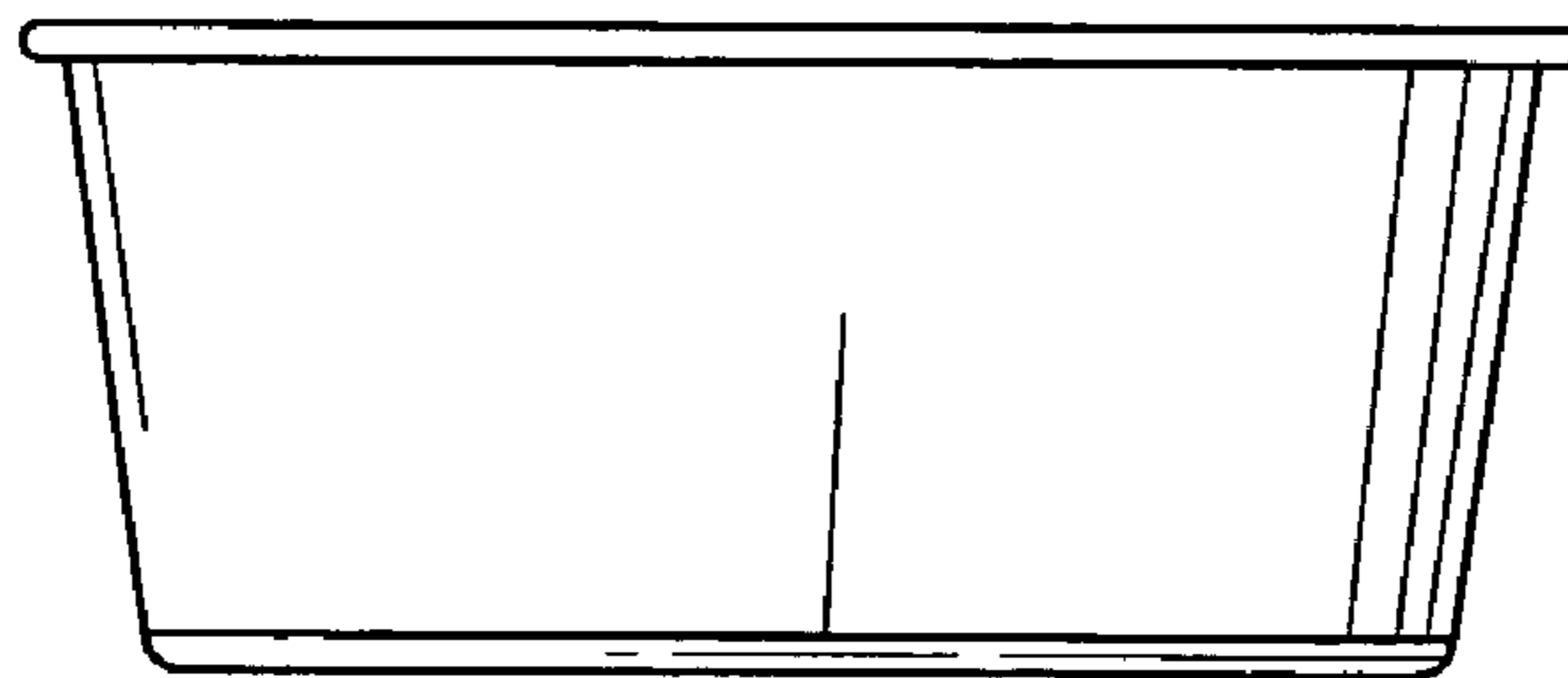


FIG. 2



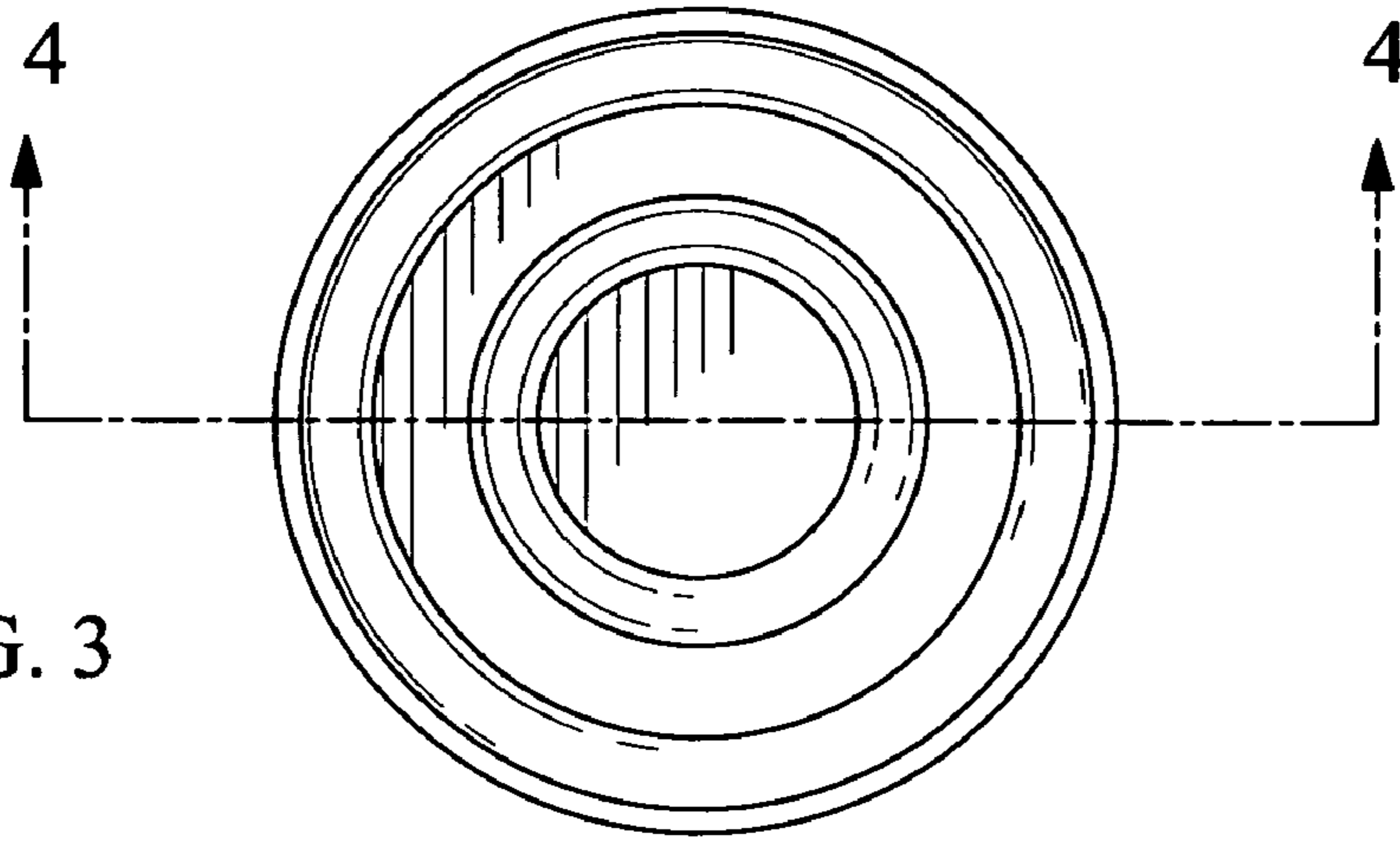


FIG. 3

FIG. 4

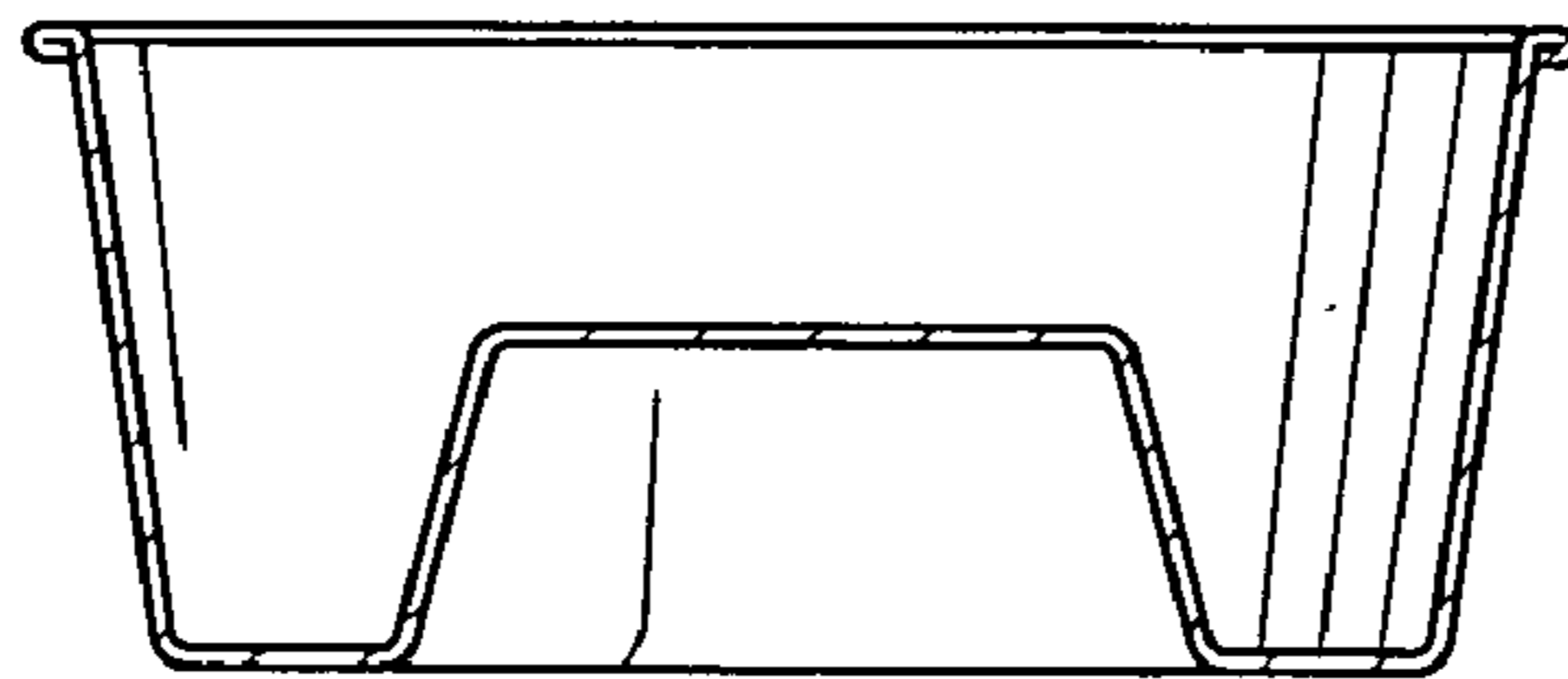


FIG. 5

