



US00D574180S

(12) **United States Design Patent**  
**Broom**

(10) **Patent No.:** **US D574,180 S**

(45) **Date of Patent:** **\*\* Aug. 5, 2008**

(54) **GOURMET BOWL MAKER**

(76) **Inventor:** **Gregory Alan Broom**, 809 Willow Crest Dr., Richardson, TX (US) 75081

(\*\*) **Term:** **14 Years**

(21) **Appl. No.:** **29/285,143**

(22) **Filed:** **Mar. 22, 2007**

(51) **LOC (8) Cl.** ..... **07-02**

(52) **U.S. Cl.** ..... **D7/357**

(58) **Field of Classification Search** ..... D3/294;  
D6/634; D7/323, 354-361, 392.1, 393, 396.1,  
D7/412, 505, 540-545, 550.1, 551.1, 552.1,  
D7/553.1, 553.4-553.8, 584, 602, 698; D9/414,  
D9/420-432, 757; D11/143; D15/78; D28/93;  
99/324, 339, 422, 426, 446, 448; 206/457,  
206/506, 553; 220/4.21, 23.2-23.8, 309.1,  
220/367.1, 376-377, 573.1-573.4, 574, 912;  
249/77, 66.1, 122; 426/505

See application file for complete search history.

(56) **References Cited**

**U.S. PATENT DOCUMENTS**

1,338,344	A *	4/1920	Wierth	.....	249/77
1,476,910	A *	12/1923	Naugle	.....	249/122
1,719,842	A *	7/1929	Jackson	.....	220/23.2
2,097,356	A *	10/1937	Truesdale	.....	249/122
2,290,396	A *	7/1942	Webster	.....	249/66.1
2,599,853	A *	6/1952	McClain et al.	.....	220/23.4
D186,851	S *	12/1959	Reifers	.....	D7/357
D215,907	S *	11/1969	Little	.....	D28/93
3,905,506	A *	9/1975	Florian	.....	220/23.8
D240,712	S *	7/1976	Moller	.....	D9/757
D253,272	S *	10/1979	Ottier	.....	D7/545
D255,574	S *	6/1980	Carver	.....	D15/78
D304,658	S *	11/1989	Mattei	.....	D7/505
D346,528	S *	5/1994	Crawford et al.	.....	D7/357
D347,355	S *	5/1994	Naft	.....	D7/357
D360,112	S *	7/1995	McEntee	.....	D7/584

D369,717	S *	5/1996	Chiba	.....	D7/354
6,231,910	B1 *	5/2001	Ellingsworth	.....	426/505
D461,677	S *	8/2002	Bradley	.....	D7/357
D481,584	S *	11/2003	Nolan	.....	D7/357
D481,905	S *	11/2003	Nolan	.....	D7/357
D488,741	S *	4/2004	Moya	.....	D11/143
D492,539	S *	7/2004	Henry et al.	.....	D7/357
D508,632	S *	8/2005	Nolan	.....	D7/412
D527,224	S *	8/2006	Roth et al.	.....	D7/540
2005/0242099	A1 *	11/2005	Berryhill	.....	220/573.1

\* cited by examiner

*Primary Examiner*—Caron D. Veynar

*Assistant Examiner*—Ricky Pham

(57) **CLAIM**

I claim the ornamental design for a gourmet bowl maker, as shown.

**DESCRIPTION**

FIG. 1 is a perspective view of an individual bowl of the gourmet bowl maker showing my new design; shown separately for completeness of illustration;

FIG. 2 is a side view thereof;

FIG. 3 is a top plan view thereof;

FIG. 4 is a cross-sectional view taken through line 4—4 of FIG. 3;

FIG. 5 is a bottom plan view thereof;

FIG. 6 is a perspective view of the gourmet bowl maker;

FIG. 7 is a side view thereof;

FIG. 8 is a front view thereof;

FIG. 9 is a top plan view thereof;

FIG. 10 is a cross-sectional view taken through line 10—10 of FIG. 9; and,

FIG. 11 is a bottom plan view thereof.

**1 Claim, 4 Drawing Sheets**

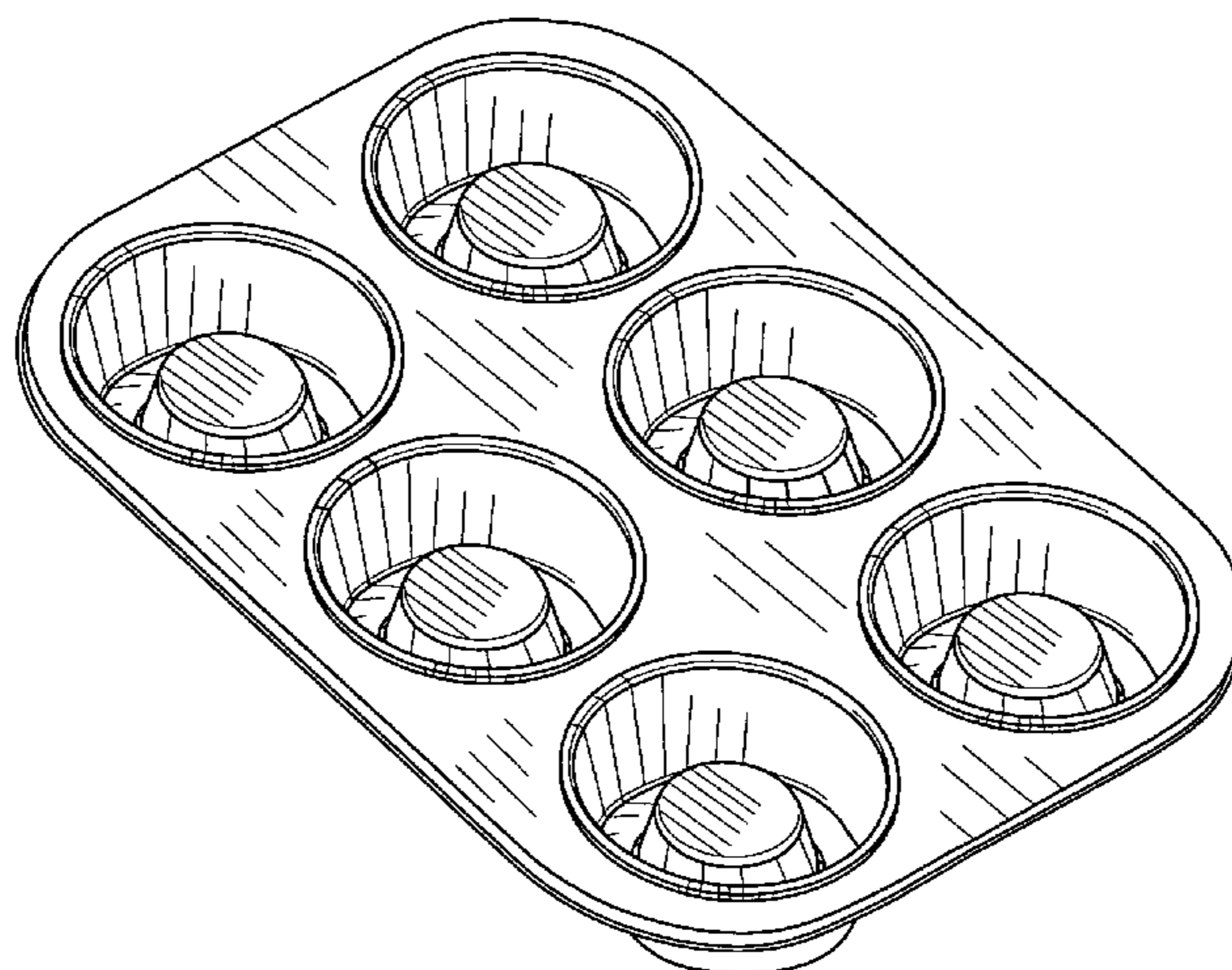


FIG. 1

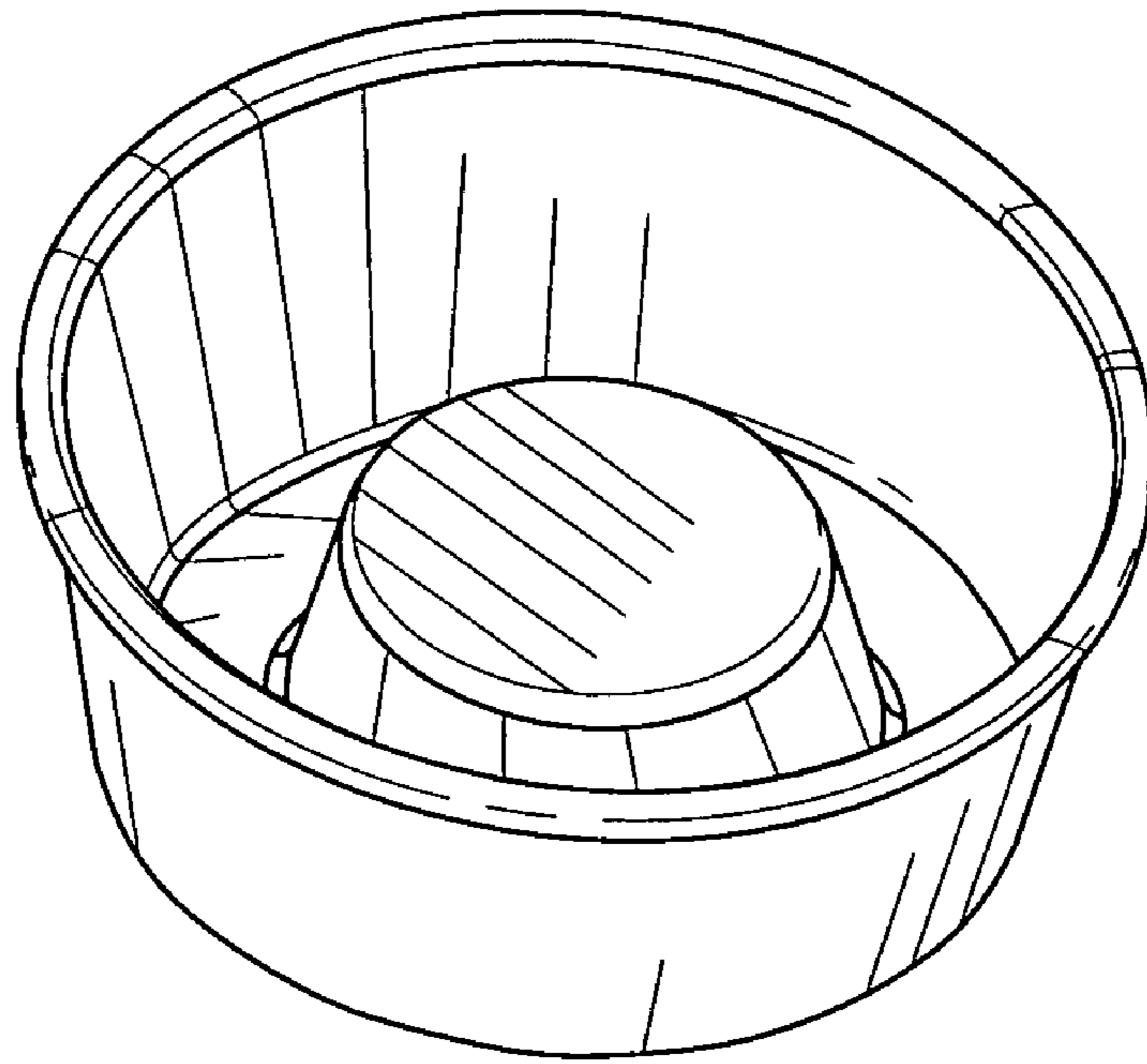
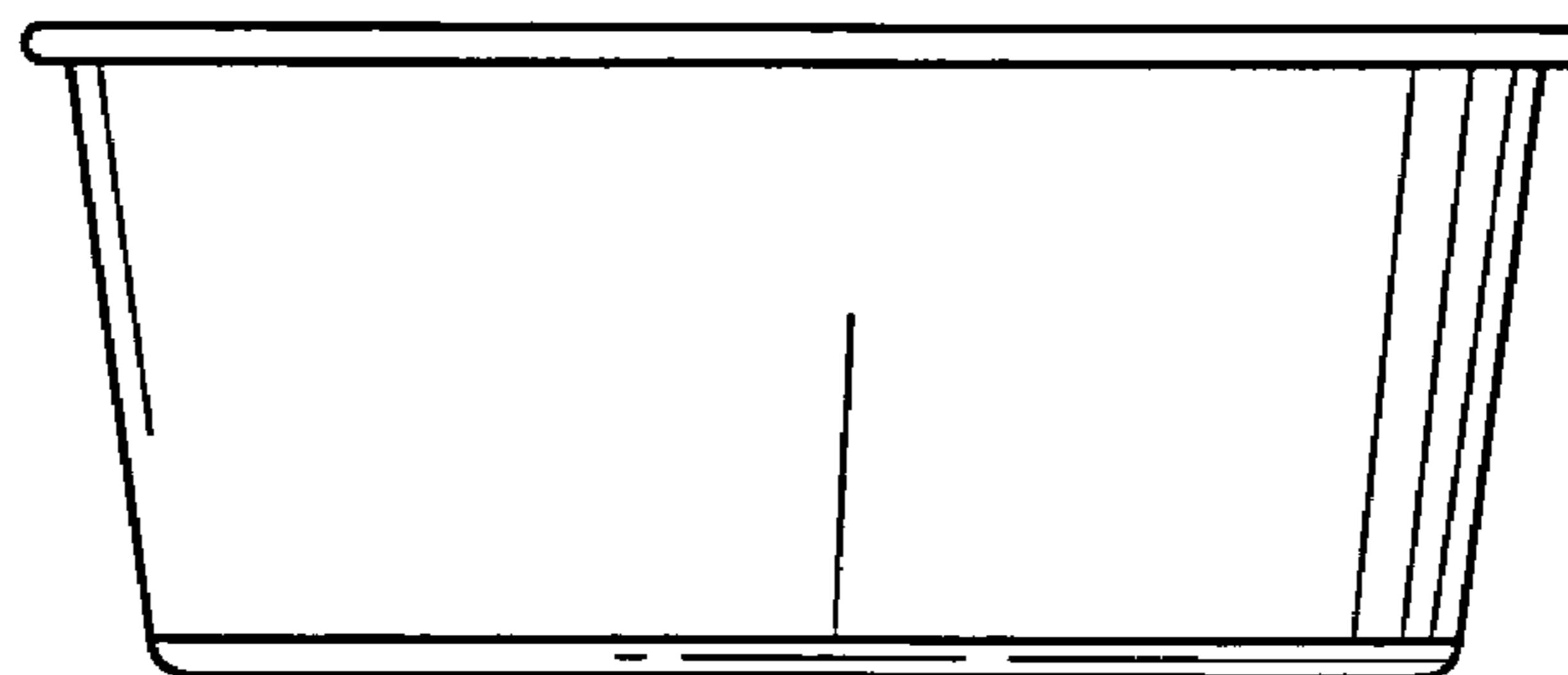


FIG. 2



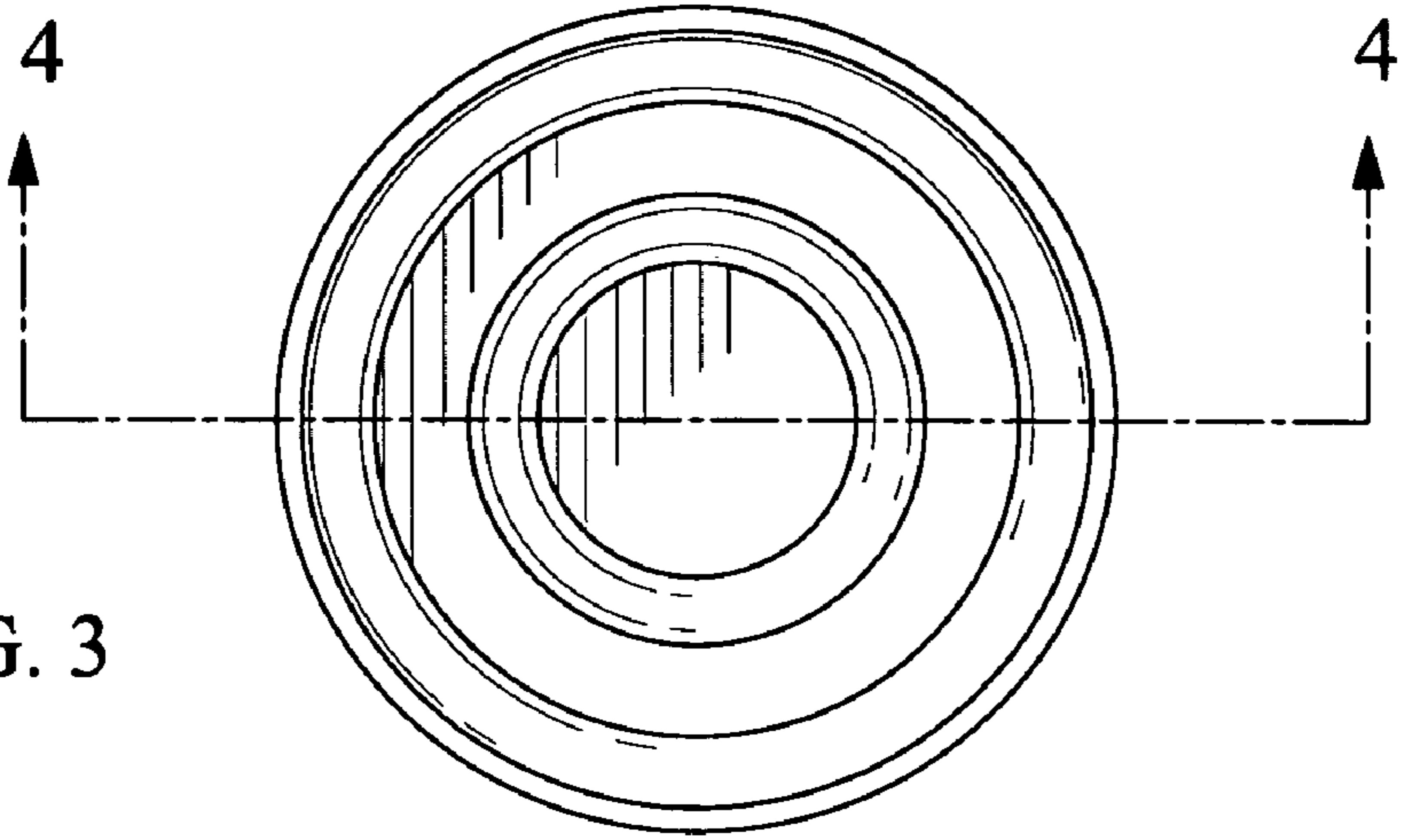


FIG. 3

FIG. 4

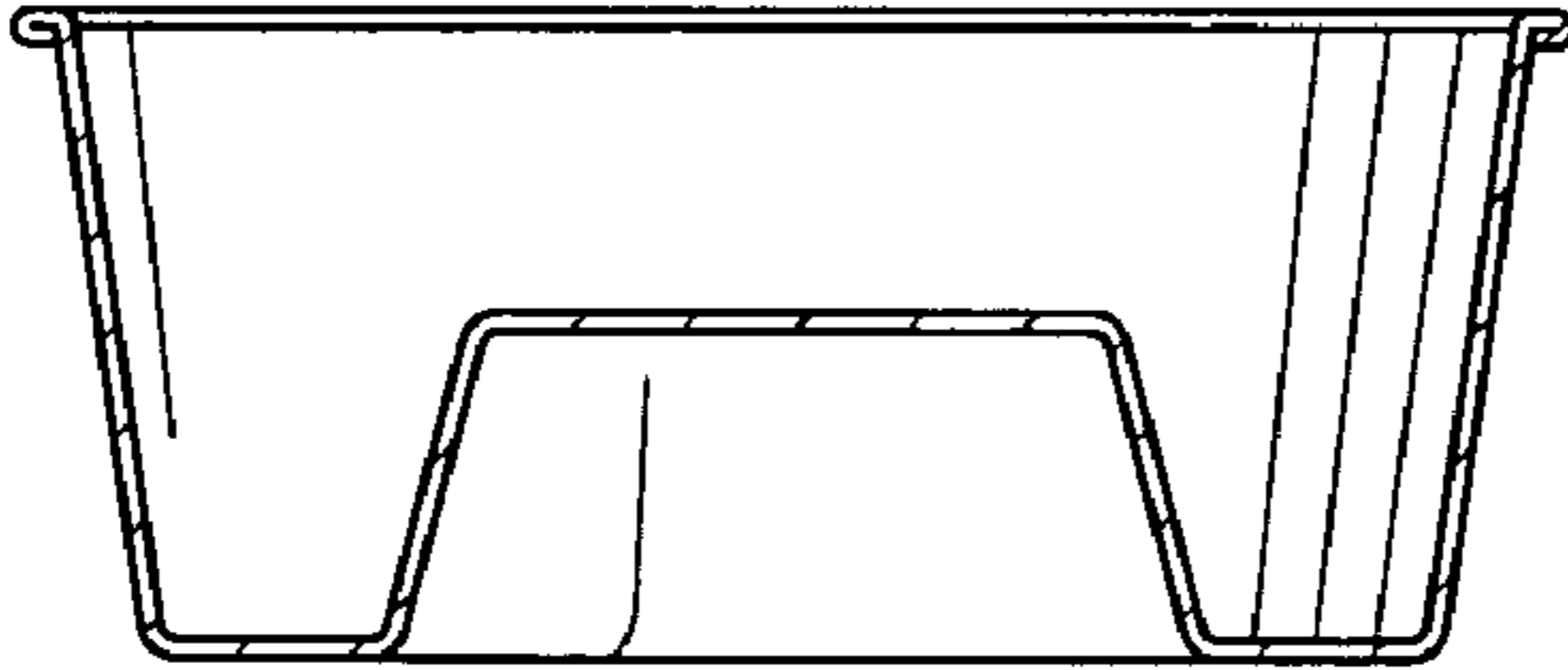


FIG. 5

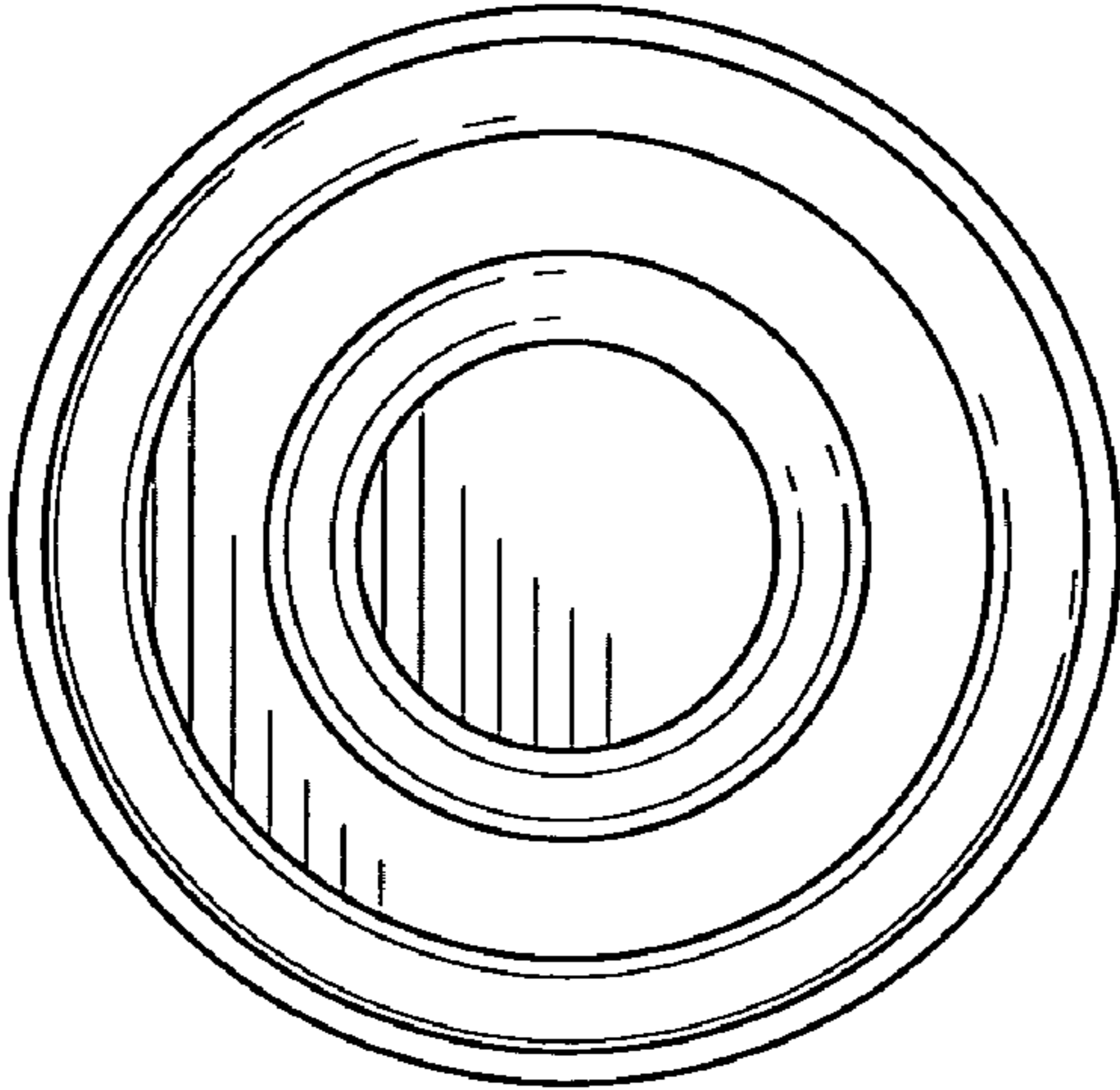


FIG. 6

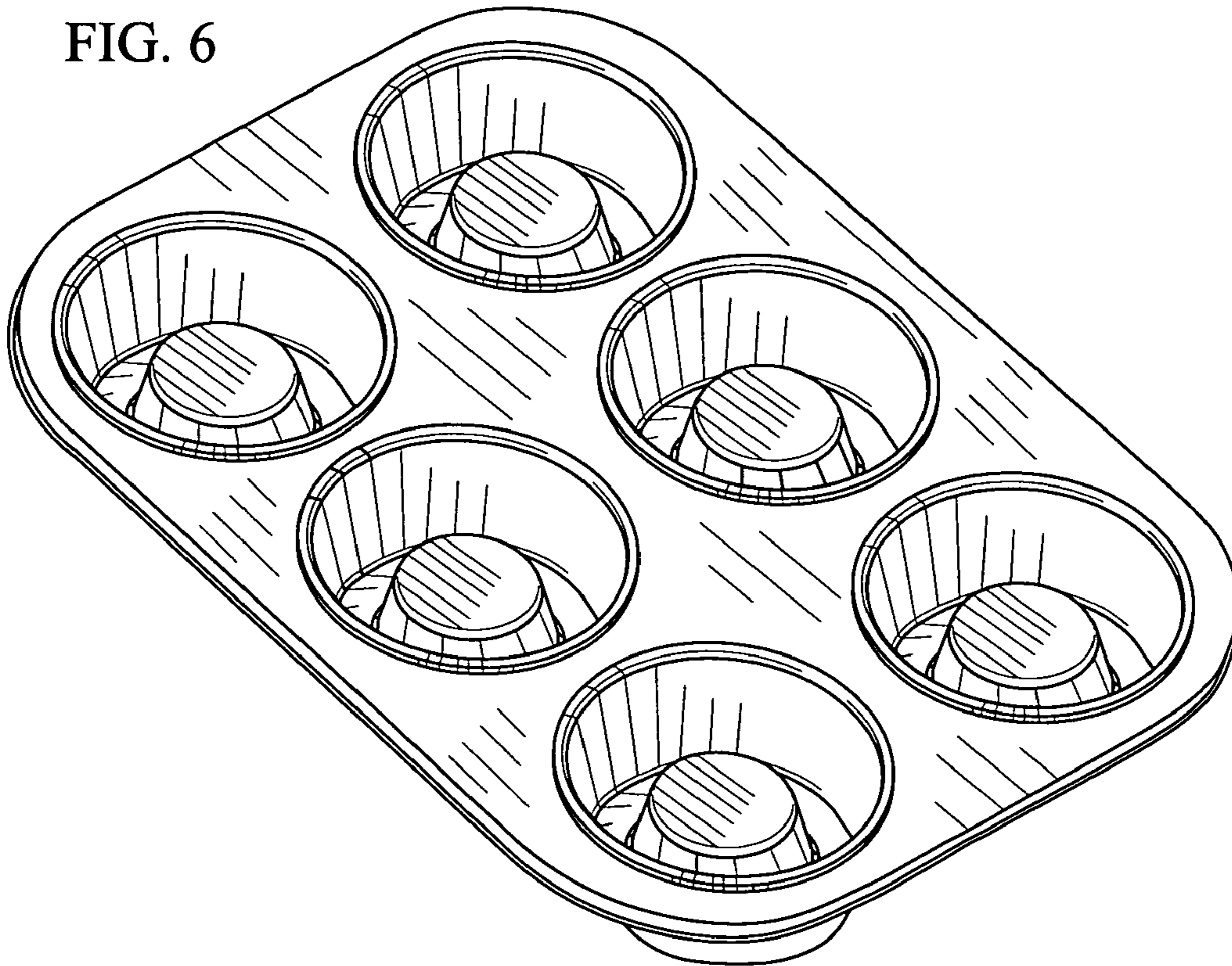


FIG. 7

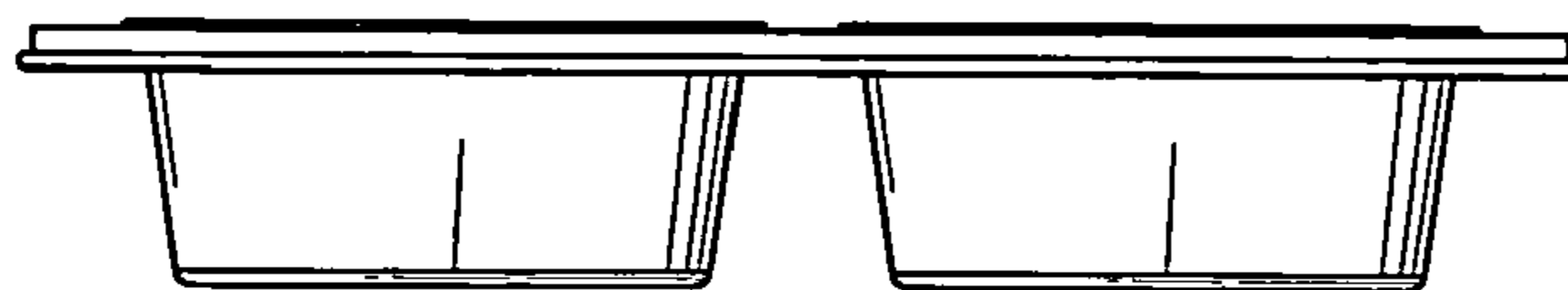


FIG. 8

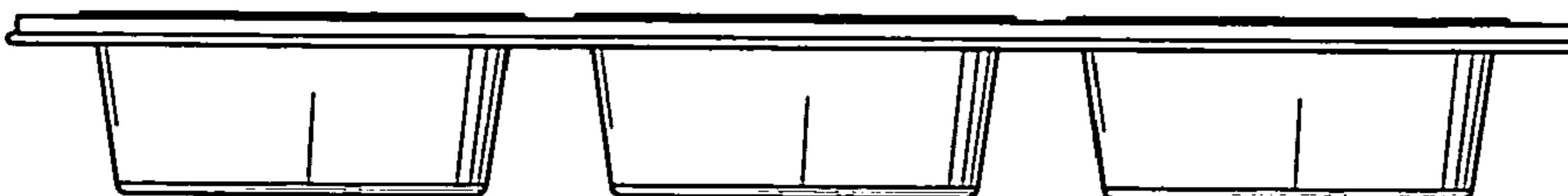


FIG. 9

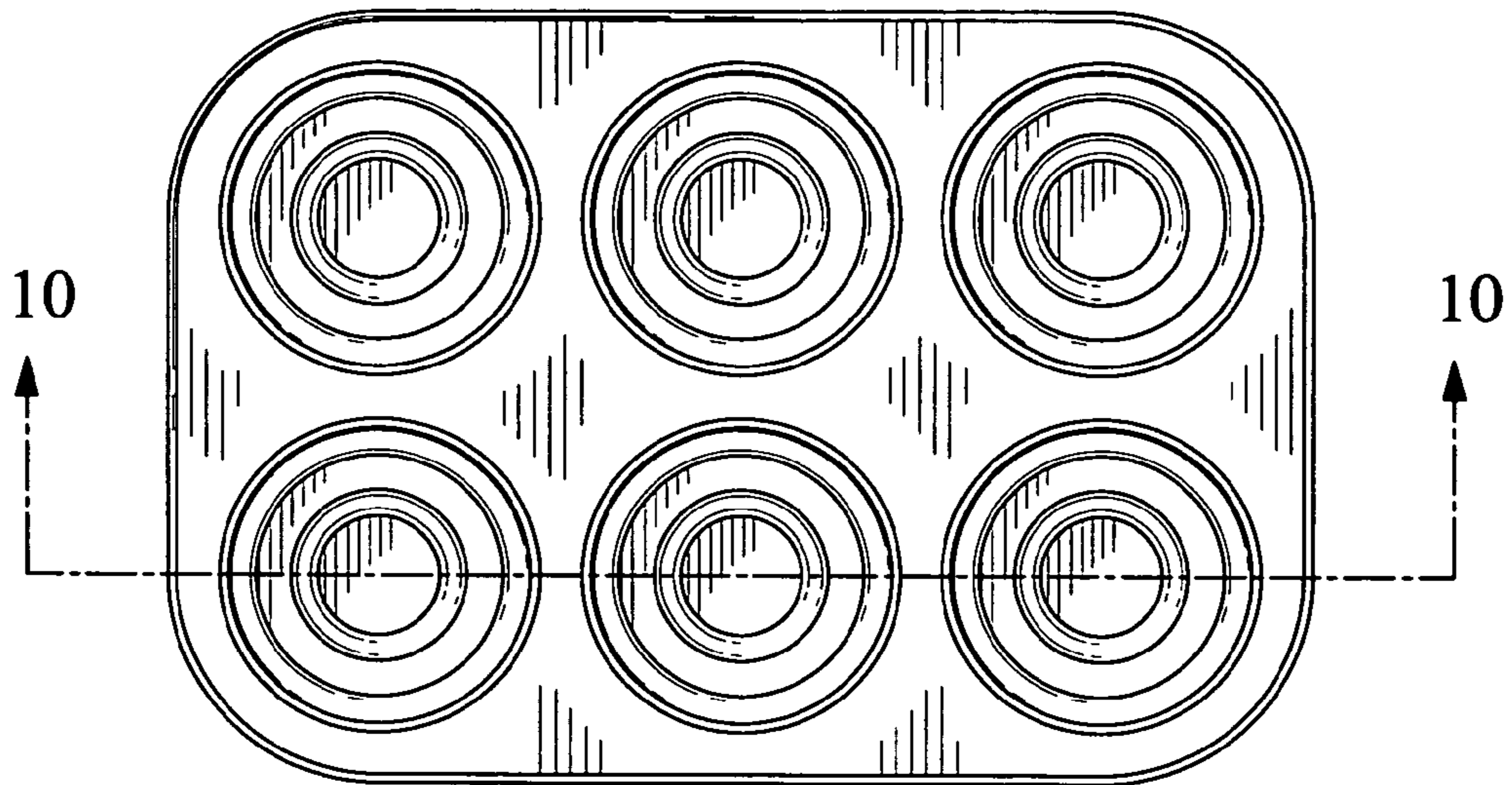


FIG. 10



FIG. 11

