



US00D574179S

(12) **United States Design Patent**
DeLuca

(10) **Patent No.:** **US D574,179 S**
(45) **Date of Patent:** **** Aug. 5, 2008**

(54) **FOOD FRAME**

(75) Inventor: **Mario DeLuca**, Piscataway, NJ (US)

(73) Assignee: **Mario DeLuca Marfra LLC**,
Piscataway, NJ (US)

(**) Term: **14 Years**

(21) Appl. No.: **29/304,263**

(22) Filed: **Feb. 27, 2008**

(51) **LOC (8) Cl.** **07-02**

(52) **U.S. Cl.** **D7/354**

(58) **Field of Classification Search** D3/314;
D7/323, 354-361, 392.1, 393, 396.1, 407,
D7/412, 417, 505, 513, 540-545, 550.1, 551.1,
D7/552.1, 553.1, 553.4-553.8, 554.3, 555,
D7/586, 602, 611, 675, 698; D9/414, 420-434,
D9/446-447, 456, 757; D19/76; 99/324,
99/339, 422, 426, 446, 448; 206/518; 220/4.21,
220/23.2-23.8, 309.1, 367.1, 376-377, 573.1-573.4,
220/574, 601-602, 610, 657, 669, 672-675,
220/912; 249/66.1, 117, 119, 122-124, 127,
249/155-156, 160

See application file for complete search history.

(56) **References Cited**

U.S. PATENT DOCUMENTS

D216,531 S * 2/1970 Stone D7/586
D246,342 S * 11/1977 Yonkers D7/586
D261,715 S * 11/1981 Daenen D7/586
D268,622 S * 4/1983 Wolters et al. D3/314

D275,500 S * 9/1984 Tyke D19/76
D363,662 S * 10/1995 Plater D9/425
D365,501 S * 12/1995 Daugherty et al. D7/602
5,676,276 A * 10/1997 Zielinski et al. 220/657
D415,656 S * 10/1999 Henry D7/545
D415,935 S * 11/1999 Martinez D7/602
D489,226 S * 5/2004 De Neubourg D7/554.3
D529,755 S * 10/2006 Lobman et al. D7/356
7,347,327 B2 * 3/2008 Lobman et al. 206/518

* cited by examiner

Primary Examiner—Caron D. Veynar
Assistant Examiner—Ricky Pham

(57) **CLAIM**

The ornamental design for a food frame, as shown and described.

DESCRIPTION

FIG. 1 is an exploded perspective view of a food frame, showing my new design;

FIG. 2 is a front elevational view of the invention, the rear elevational view being a mirror image thereof;

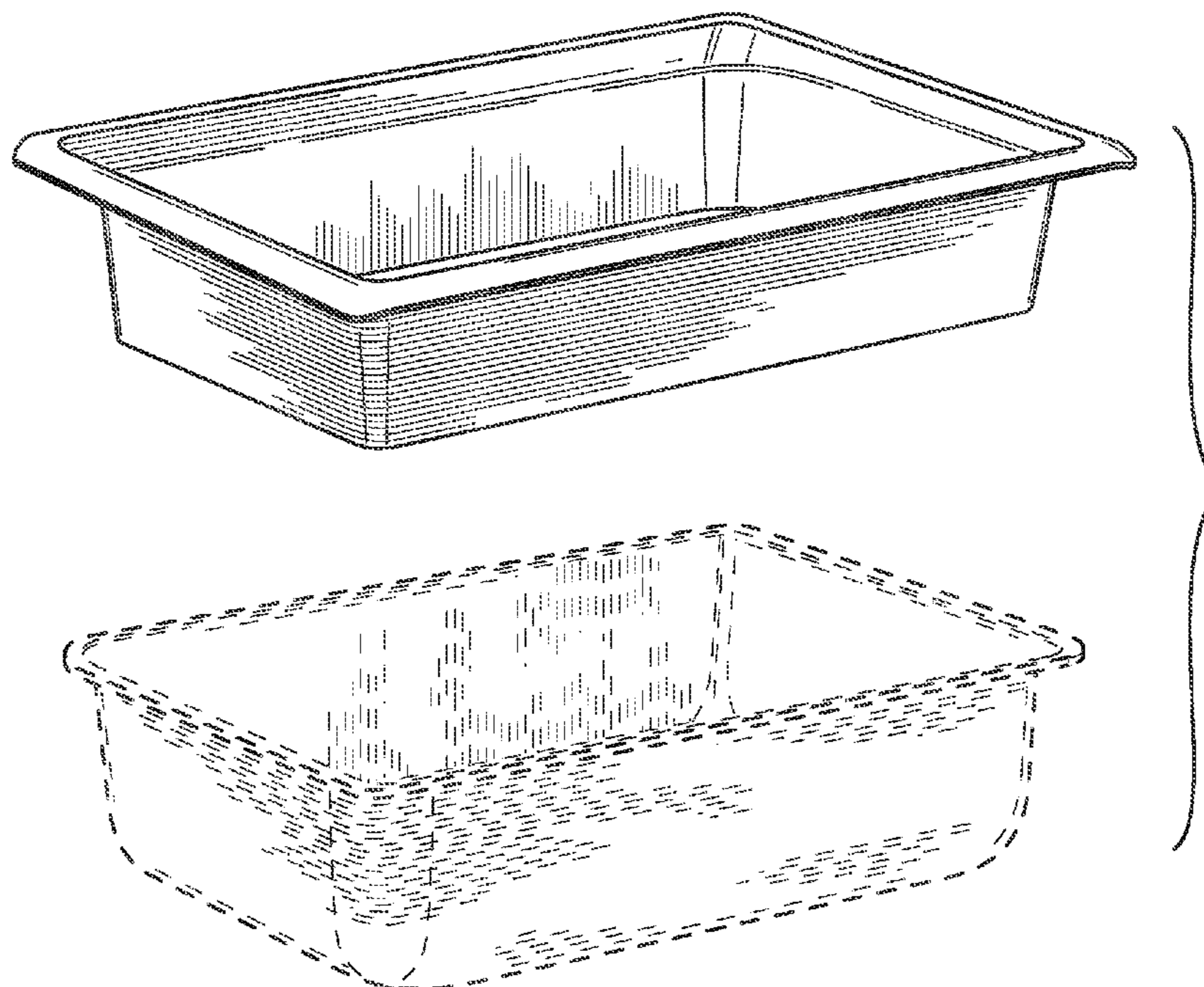
FIG. 3 is a left-side elevational view of the invention, the right-side elevational view being a mirror image thereof;

FIG. 4 is a top plan view of the invention; and,

FIG. 5 is a bottom plan view of the invention.

The broken lines showing a food serving pan in FIG. 1 are included for the purpose of illustrating the invention in use, and form no part of the claimed design.

1 Claim, 2 Drawing Sheets



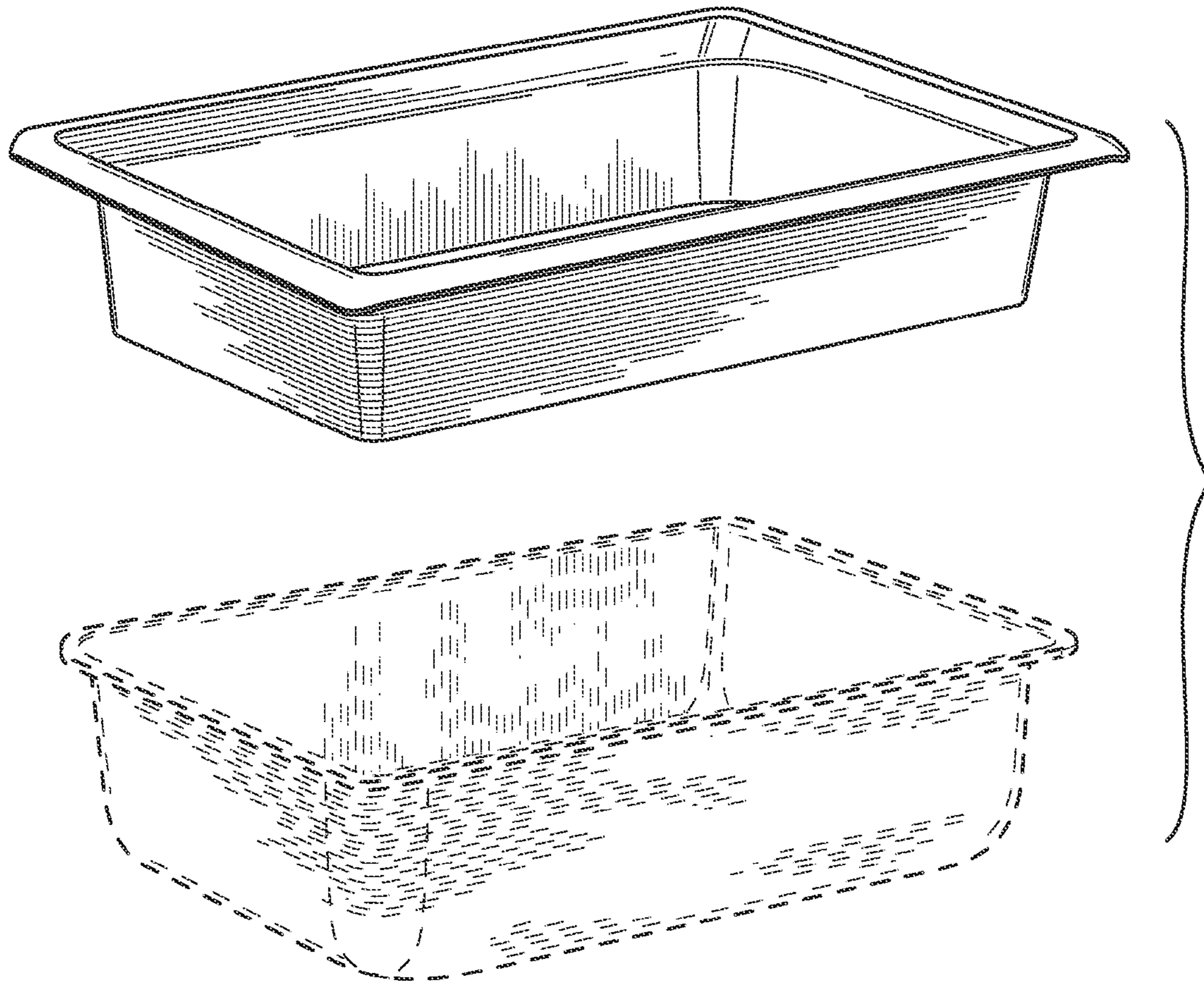


FIG. 1



FIG. 2

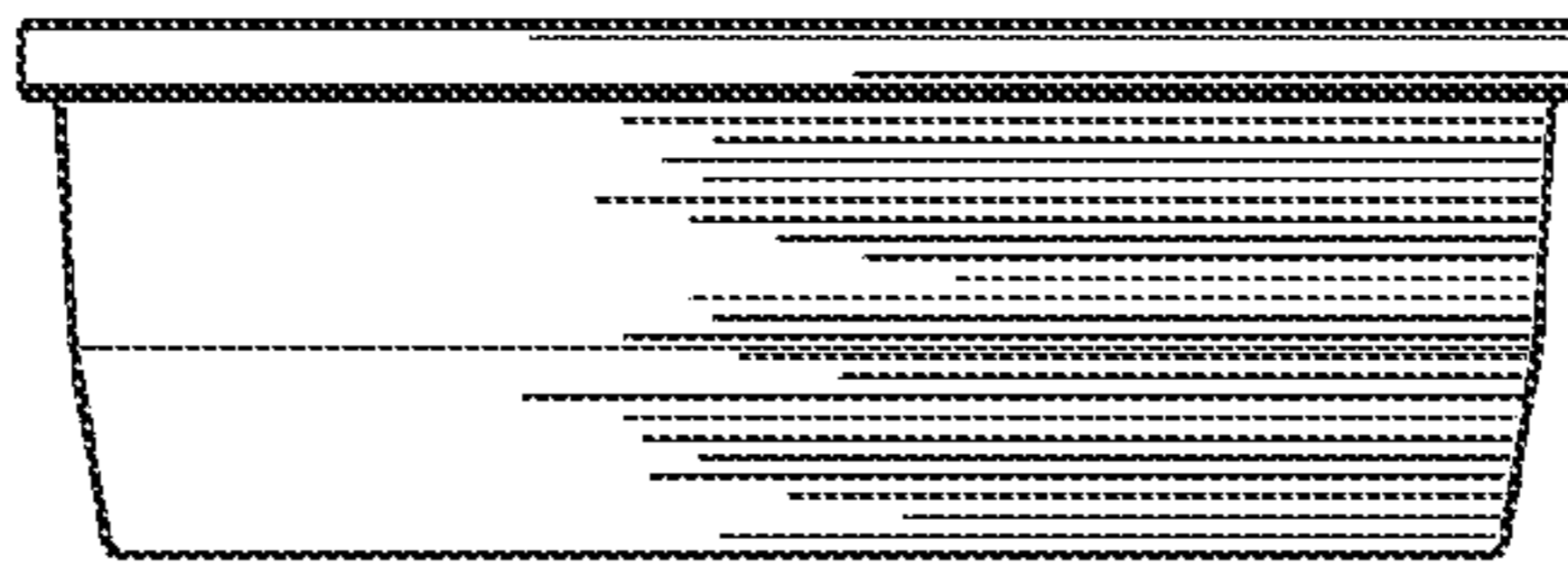


FIG. 3

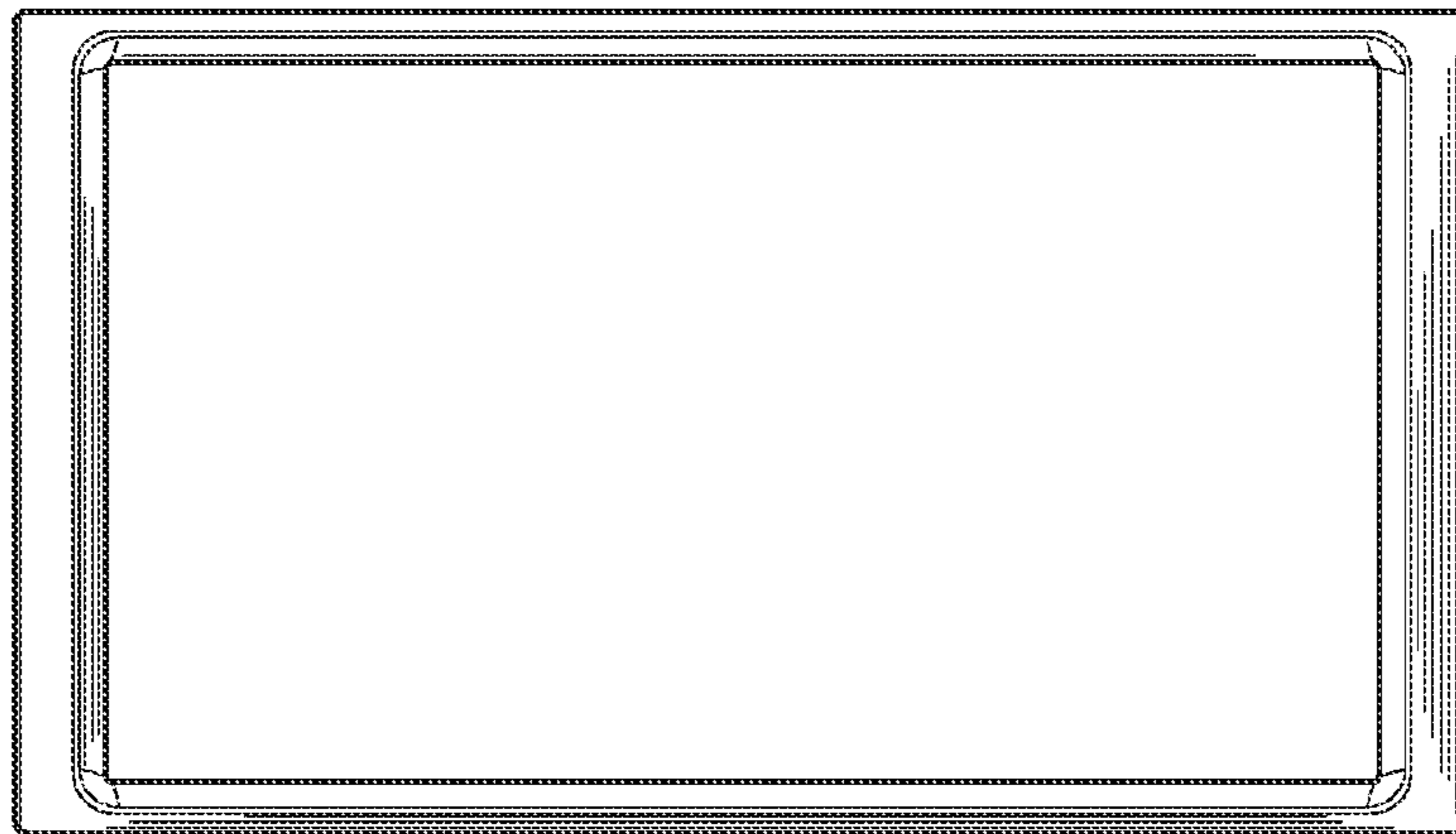


FIG. 4

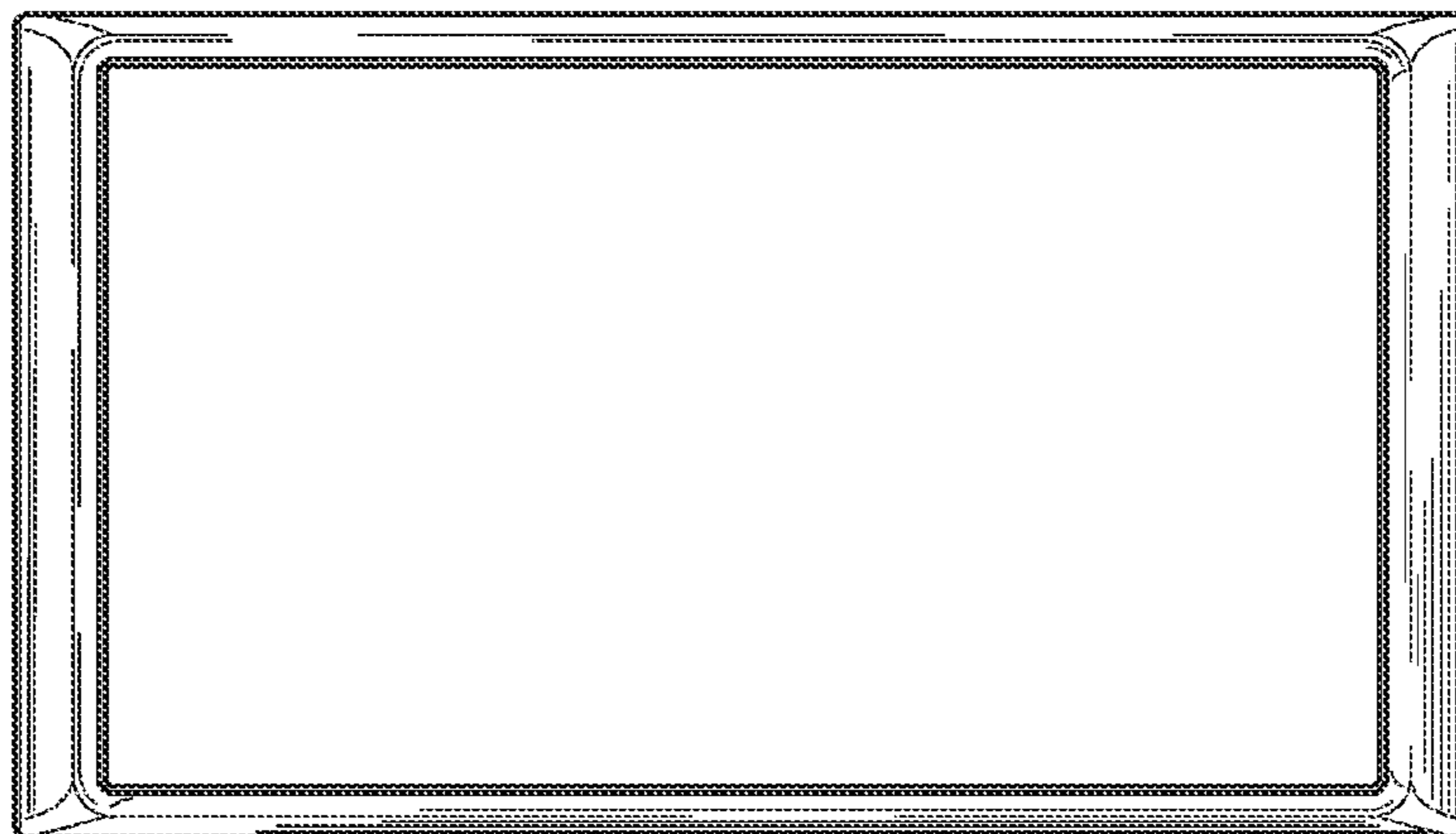


FIG. 5