

US00D574177S

(12) **United States Design Patent**  
**Hulsey**

(10) **Patent No.:** **US D574,177 S**

(45) **Date of Patent:** **\*\* Aug. 5, 2008**

(54) **BARBECUE SMOKER**

*Primary Examiner*—Ruth McInroy

(75) Inventor: **William Hulsey**, Mt. Pleasant, SC (US)

(57) **CLAIM**

(73) Assignee: **William C Hulsey**, Mt. Pleasant, SC (US)

I claim the ornamental design for a barbecue smoker, as shown and described.

(\*\*) Term: **14 Years**

**DESCRIPTION**

(21) Appl. No.: **29/250,950**

FIG. 1 is an exploded perspective view of a barbecue smoker of the present invention, illustrating a removable top as detached from the invention and smoker drawers in extended positions;

(22) Filed: **Dec. 6, 2006**

(51) **LOC (8) Cl.** ..... **07-02**

(52) **U.S. Cl.** ..... **D7/335**

(58) **Field of Classification Search** ..... D7/340,  
D7/347, 348, 332, 334–337, 339, 323, 402–405;  
126/29, 25 R, 25 A, 25 AA, 9 R, 9 B, 37 R,  
126/41 R, 40, 33, 369.2, 377.1, 276, 268;  
99/450, 481–482

FIG. 2 is a front elevational view of the invention, illustrating the top as attached to the invention and the smoker drawers in retracted positions;

FIG. 3 is a rear elevational view of the invention, illustrating the top as attached to the invention and the smoker drawers in their retracted positions;

See application file for complete search history.

FIG. 4 is a right-side elevational view of the invention, illustrating the top as attached to the invention and the smoker drawers in their retracted positions;

(56) **References Cited**

**U.S. PATENT DOCUMENTS**

- D244,249 S \* 5/1977 Boswell et al. .... D7/332
- D374,371 S \* 10/1996 Hall McDonald ..... D7/332
- 6,119,679 A \* 9/2000 Galvin ..... 126/41 R
- D463,196 S \* 9/2002 Hsu ..... D7/332
- D463,948 S \* 10/2002 Innes ..... D7/332

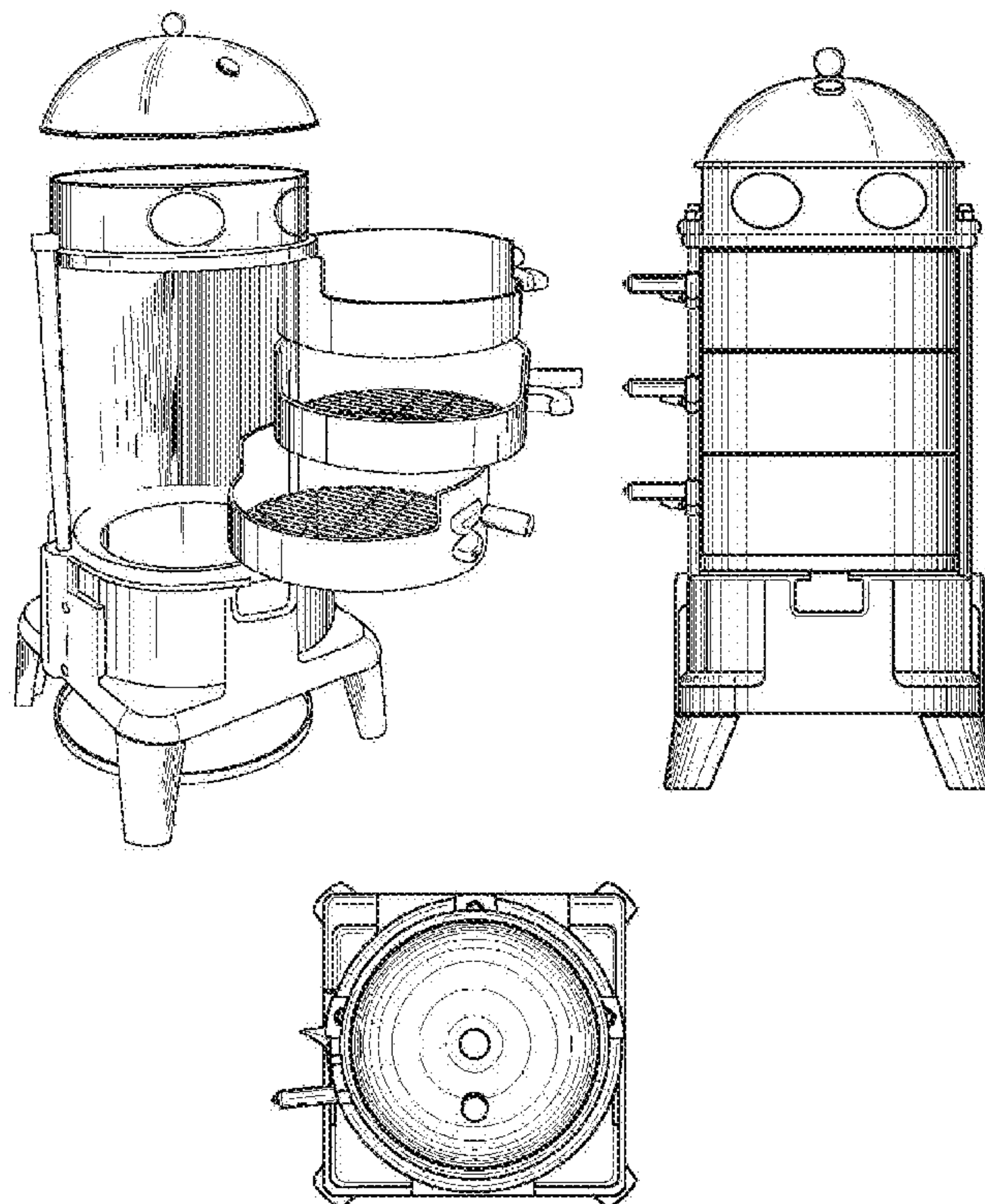
FIG. 5 is a left-side elevational view of the invention, illustrating the top as attached to the invention and the smoker drawers in their retracted positions; and,

FIG. 6 is a top plan view of the invention, illustrating the smoker drawers in their retracted positions.

The bottom plan view is not visible during normal use and does not constitute a part of the claimed design.

\* cited by examiner

**1 Claim, 2 Drawing Sheets**



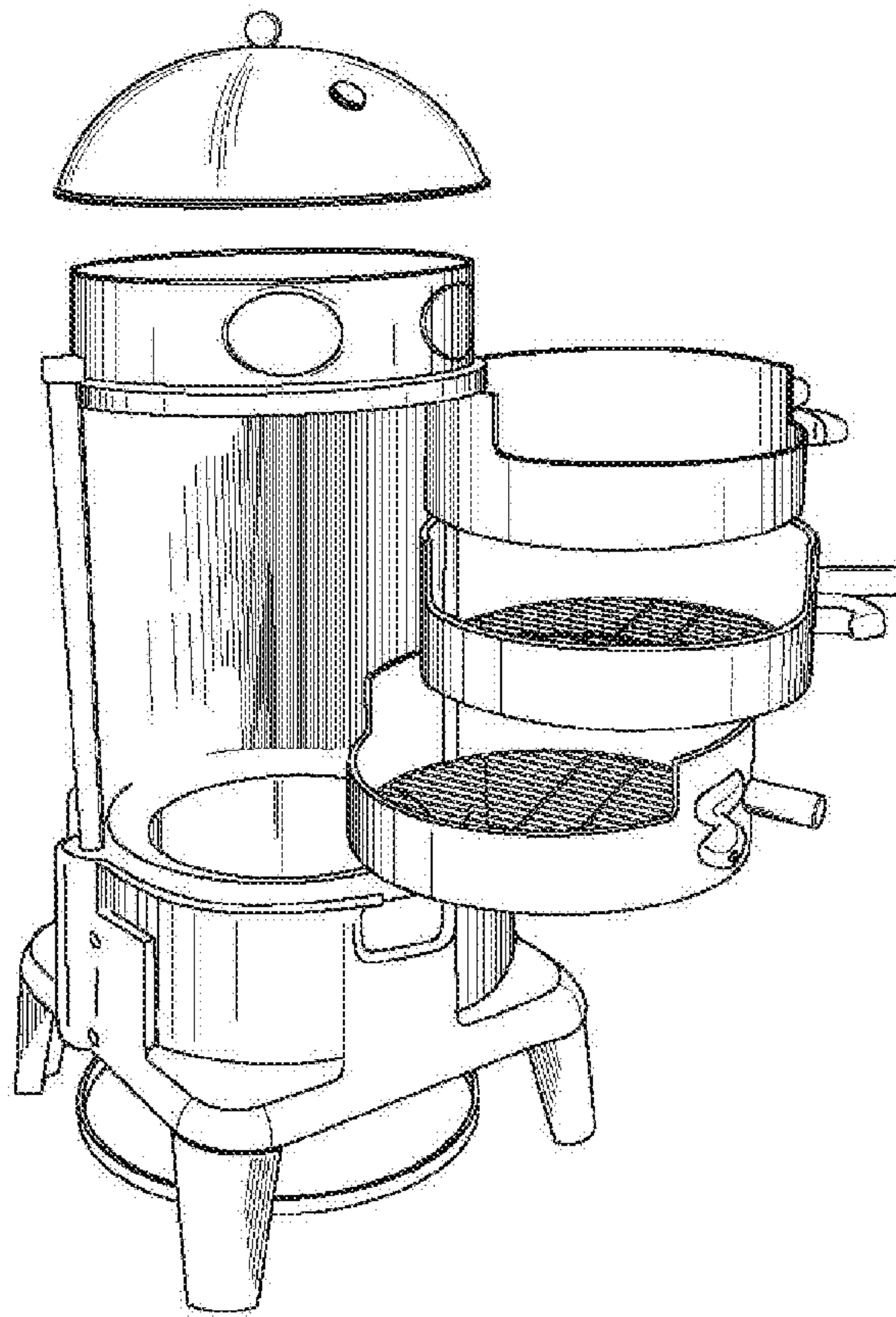


FIG. 1

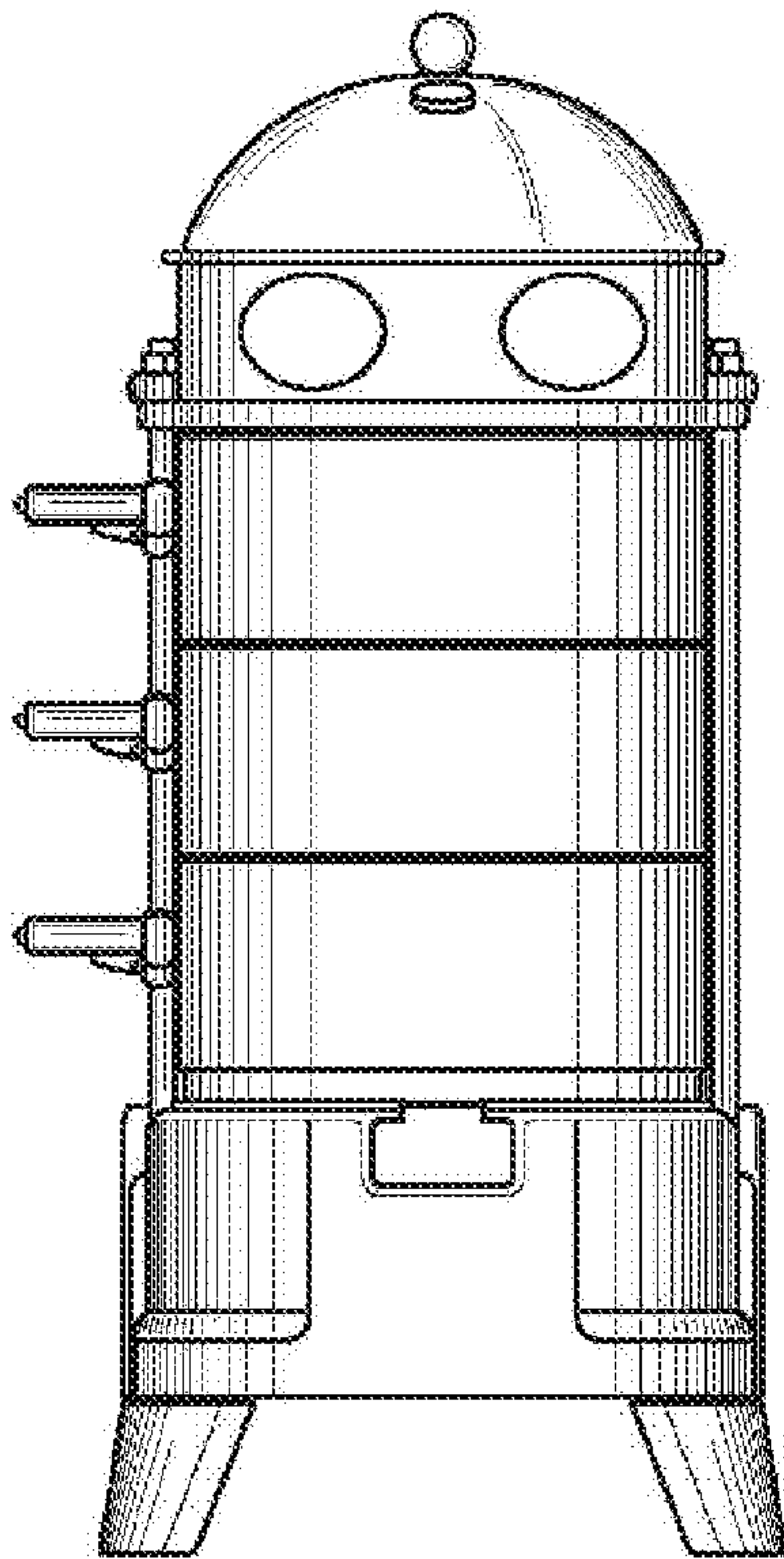


FIG. 2

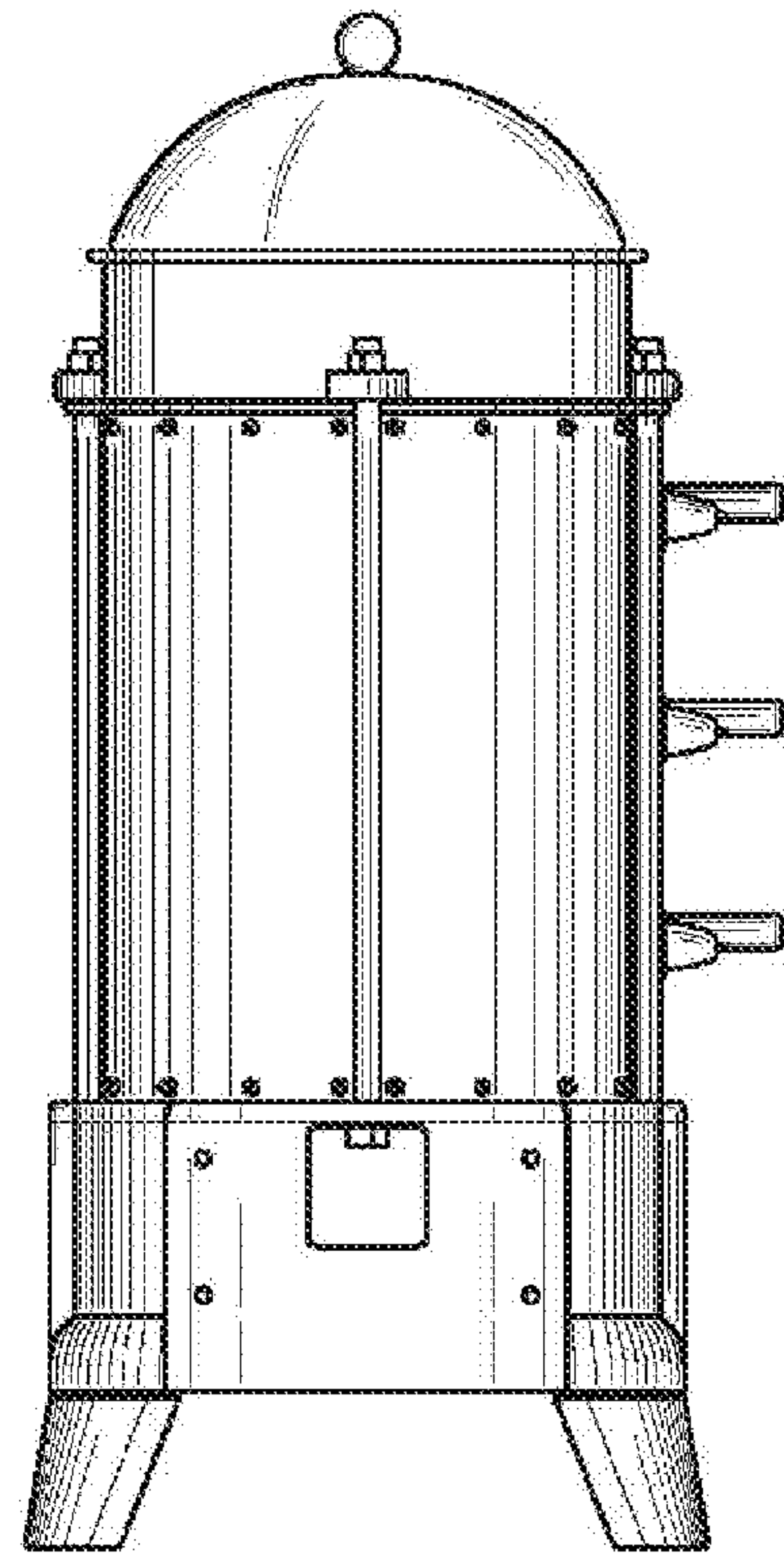


FIG. 3



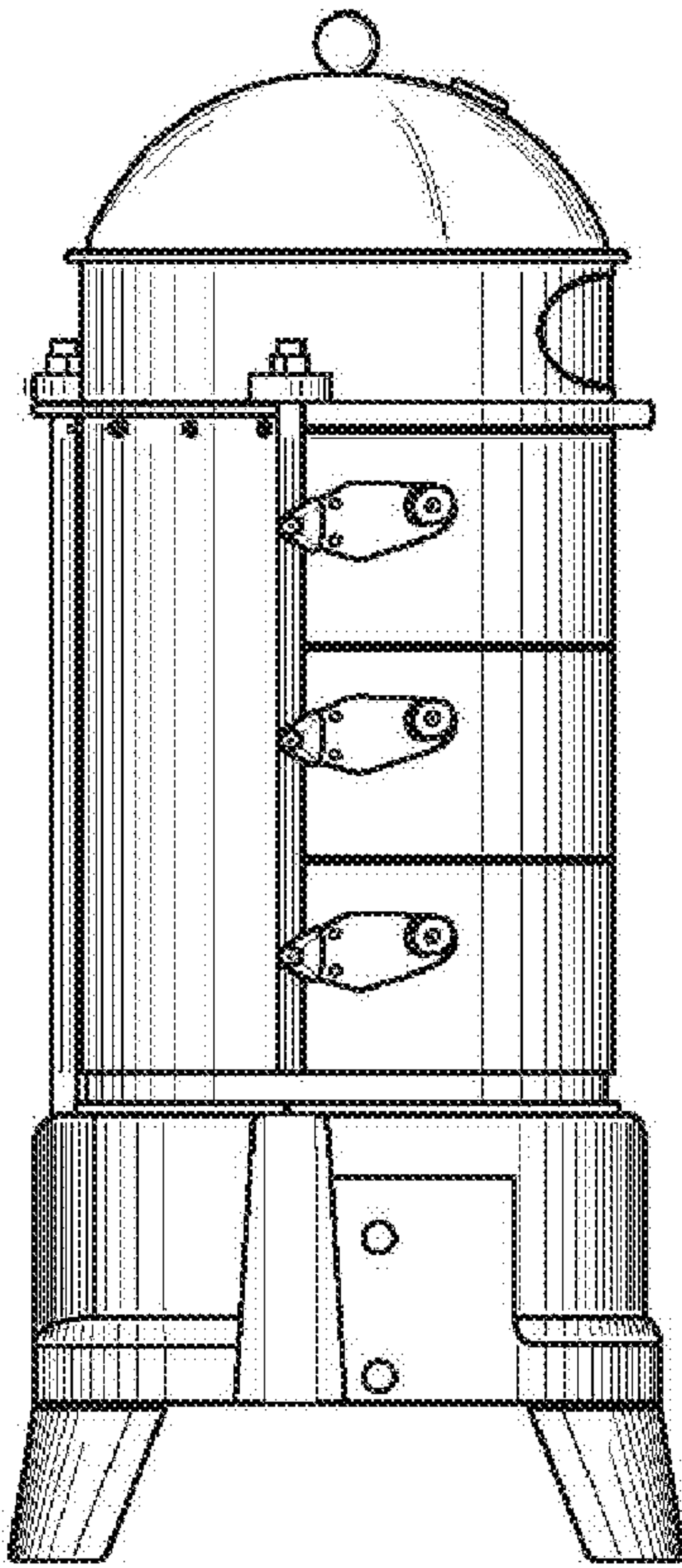


FIG. 4

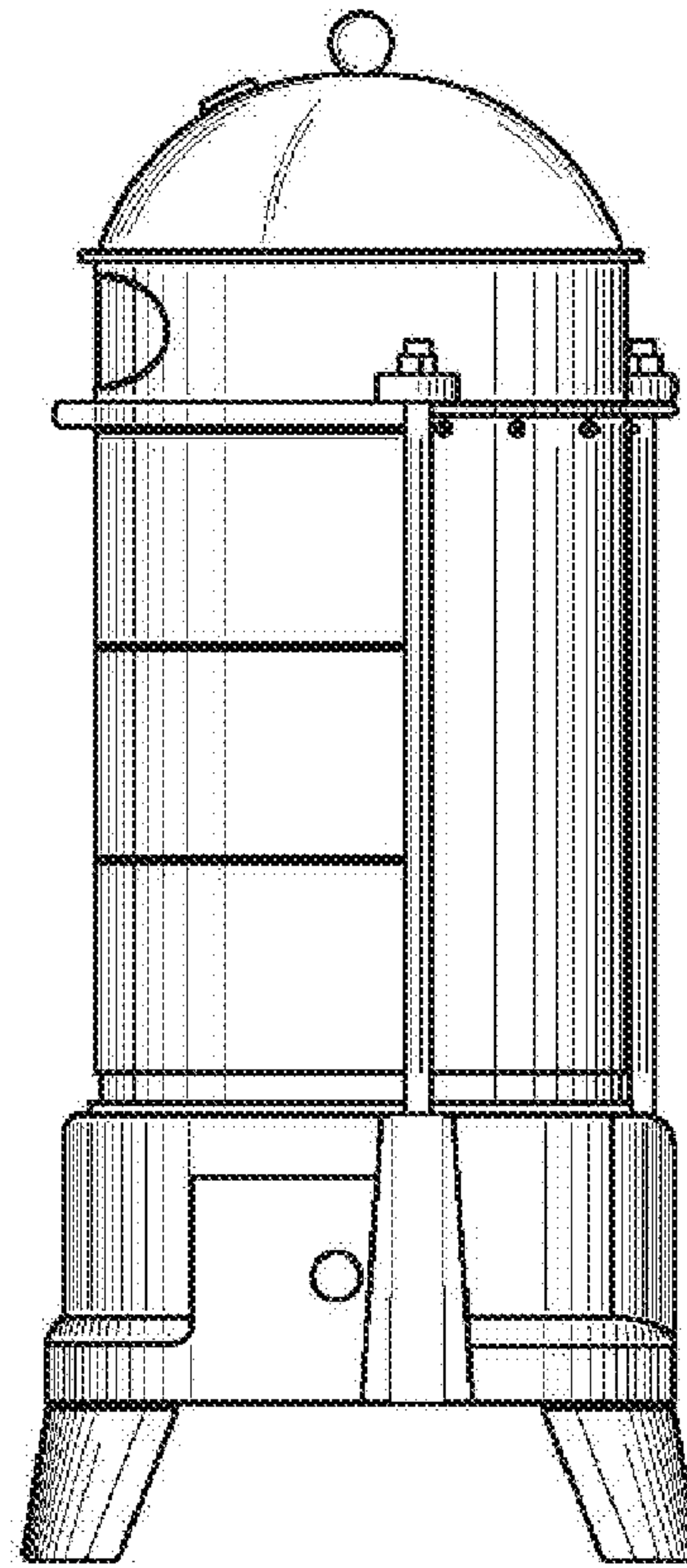


FIG. 5

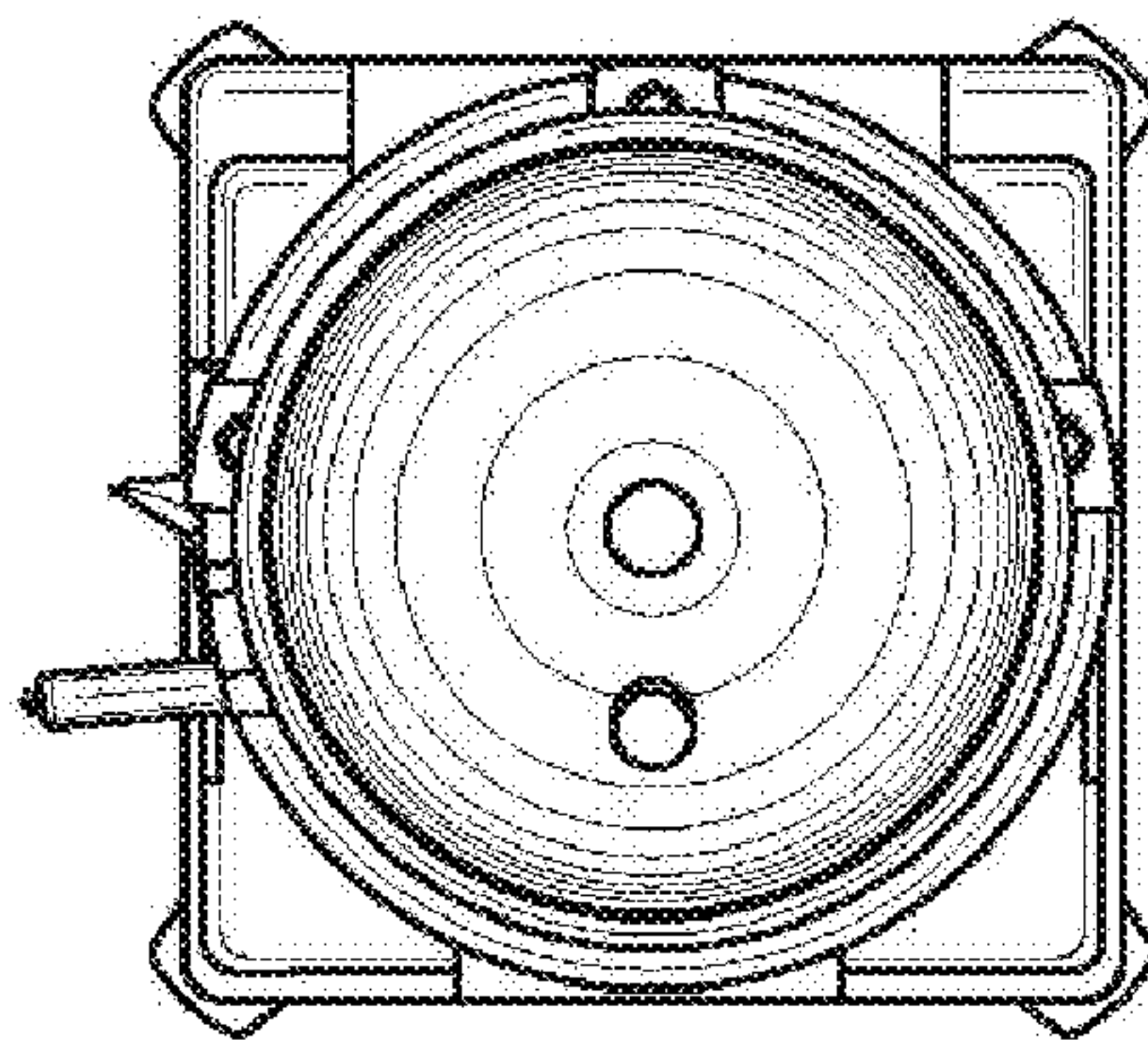


FIG. 6