



US00D574175S

(12) **United States Design Patent**
Cahen

(10) **Patent No.:** **US D574,175 S**

(45) **Date of Patent:** **** Aug. 5, 2008**

(54) **COFFEE MACHINE**

D561,514 S * 2/2008 Cortese D7/309
D561,516 S * 2/2008 De Pra' et al. D7/309

(75) Inventor: **Antoine Cahen**, Lausanne (CH)

* cited by examiner

(73) Assignee: **Societe des Produits Nestle S.A.**, Vevey (CH)

Primary Examiner—Marianne Pandozzi

(74) *Attorney, Agent, or Firm*—Bell, Boyd & Lloyd LLP

(**) Term: **14 Years**

(57) **CLAIM**

(21) Appl. No.: **29/273,256**

The ornamental design for a coffee machine, as shown and described.

(22) Filed: **Feb. 28, 2007**

(30) **Foreign Application Priority Data**

DESCRIPTION

Oct. 13, 2006 (CH) 133184

FIG. 1 illustrates a front perspective view of the coffee machine;

(51) **LOC (8) Cl.** **07-01**

FIG. 2 illustrates a front elevation view of the coffee machine of FIG. 1;

(52) **U.S. Cl.** **D7/309; D7/306; D7/311**

FIG. 3 illustrates a rear elevation view of the coffee machine of FIG. 1;

(58) **Field of Classification Search** D7/307,
D7/306, 300, 309–311, 305; 99/280, 286,
99/305, 306, 295, 279, 299, 285

FIG. 4 illustrates a right side elevation view of the coffee machine of FIG. 1;

See application file for complete search history.

FIG. 5 illustrates a left side elevation view of the coffee machine of FIG. 1;

(56) **References Cited**

FIG. 6 illustrates a top plan view of the coffee machine of FIG. 1; and,

U.S. PATENT DOCUMENTS

FIG. 7 illustrates a bottom plan view of the coffee machine of FIG. 1.

D409,875 S * 5/1999 Alonge et al. D7/309
D486,345 S * 2/2004 Schwamkrug D7/309
D495,187 S * 8/2004 Cahen D7/309
D495,188 S * 8/2004 Cahen D7/309
D540,608 S * 4/2007 Cahen D7/309

1 Claim, 4 Drawing Sheets

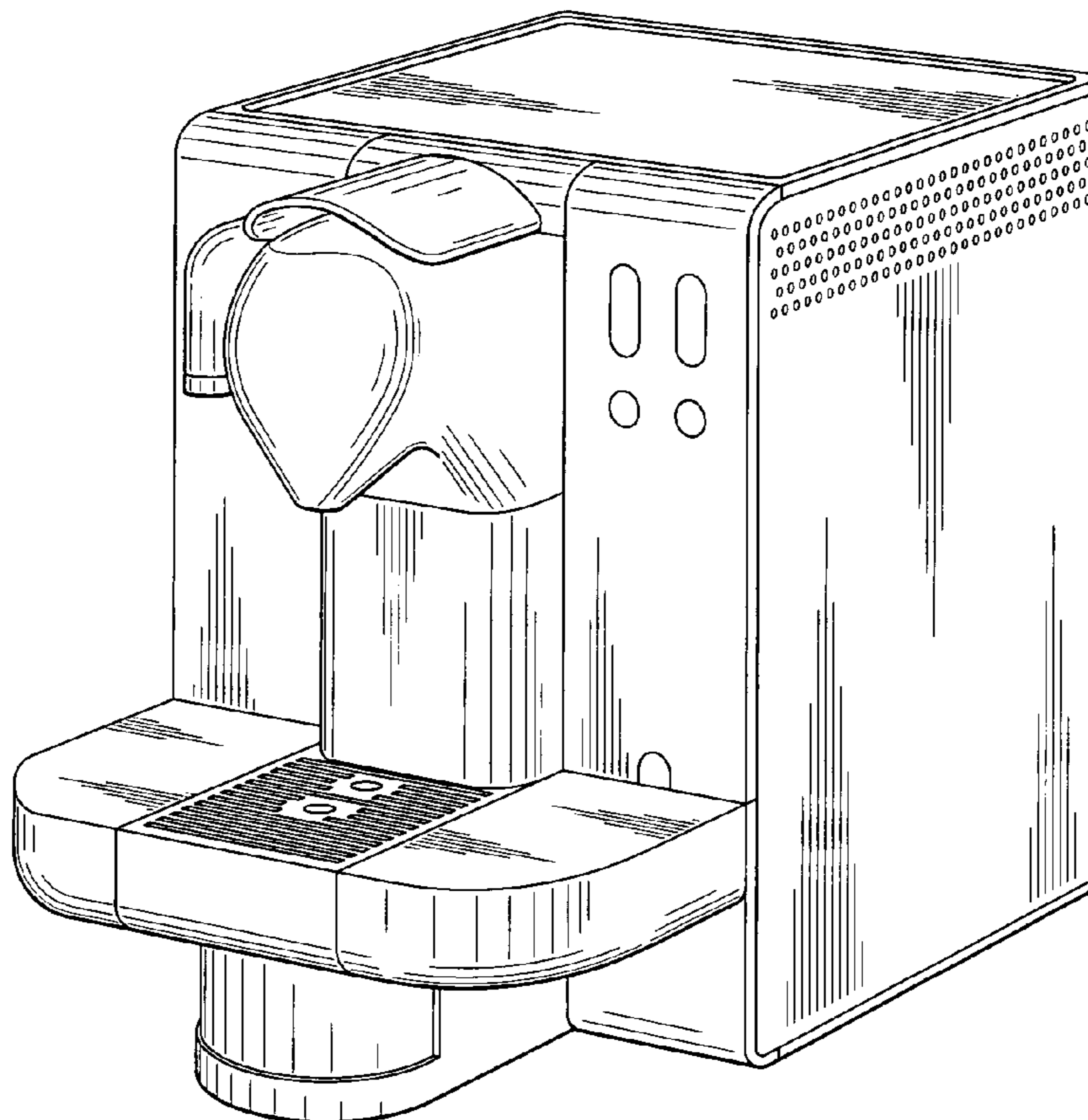


FIG. 1

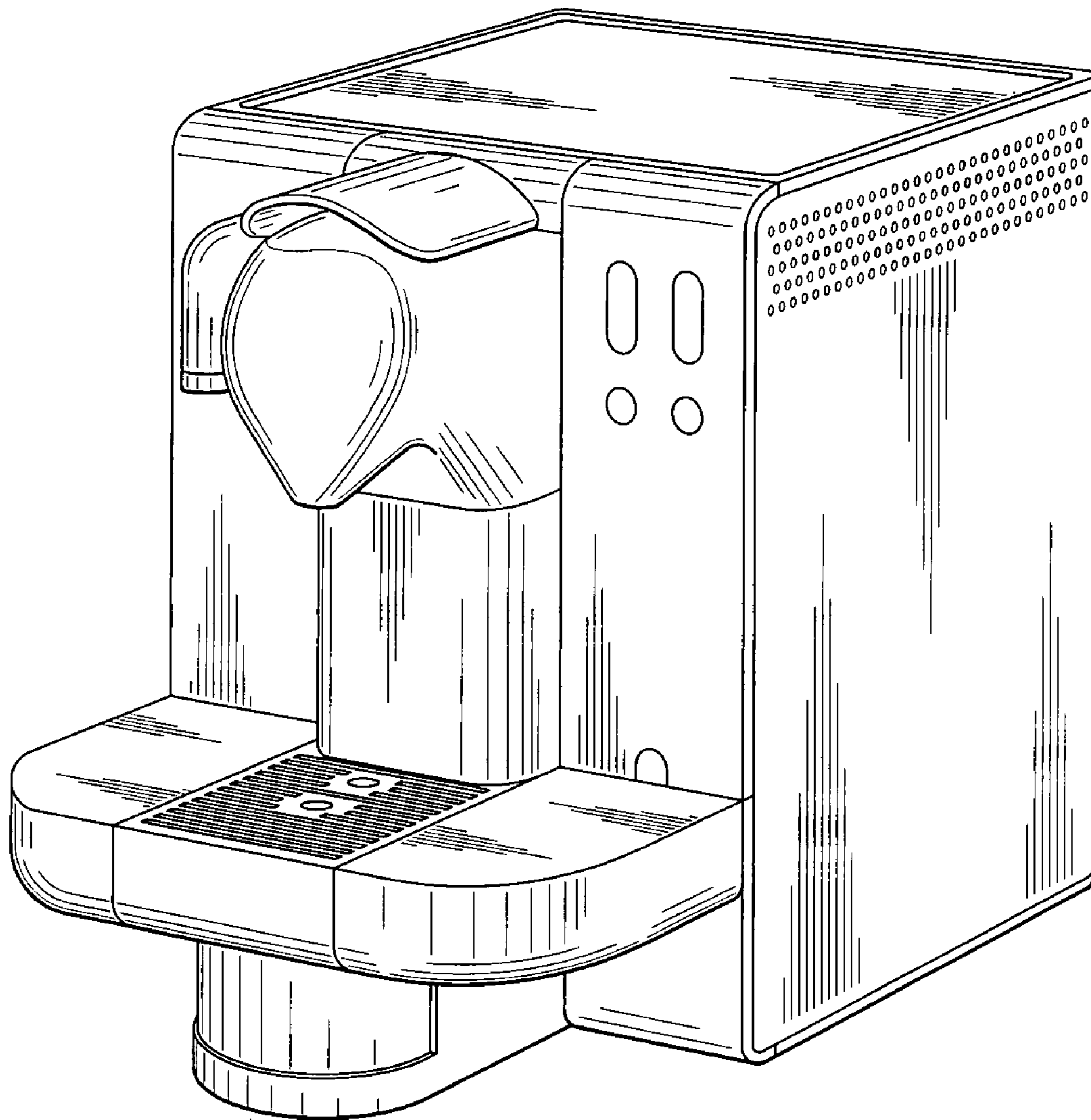


FIG. 2

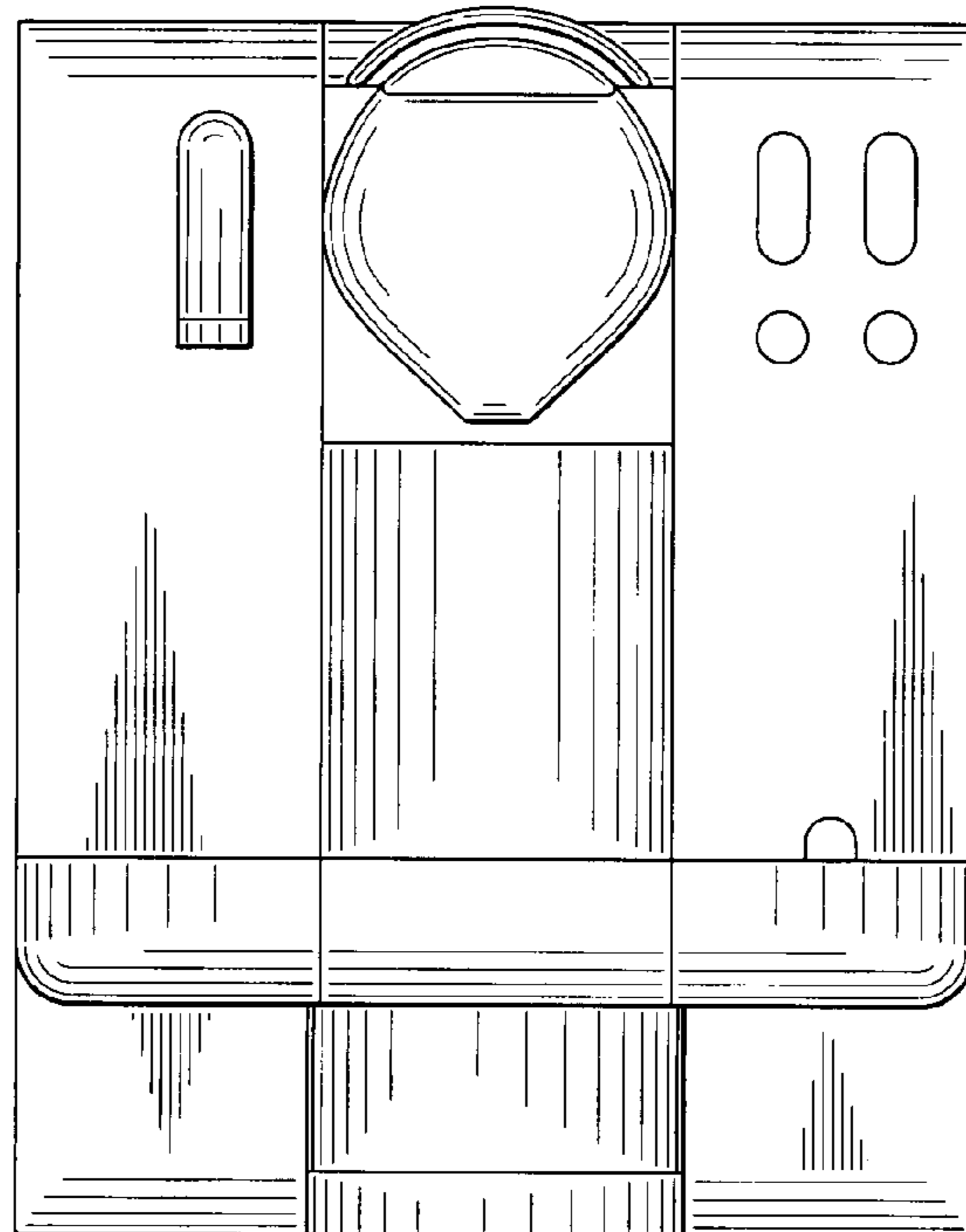


FIG. 3

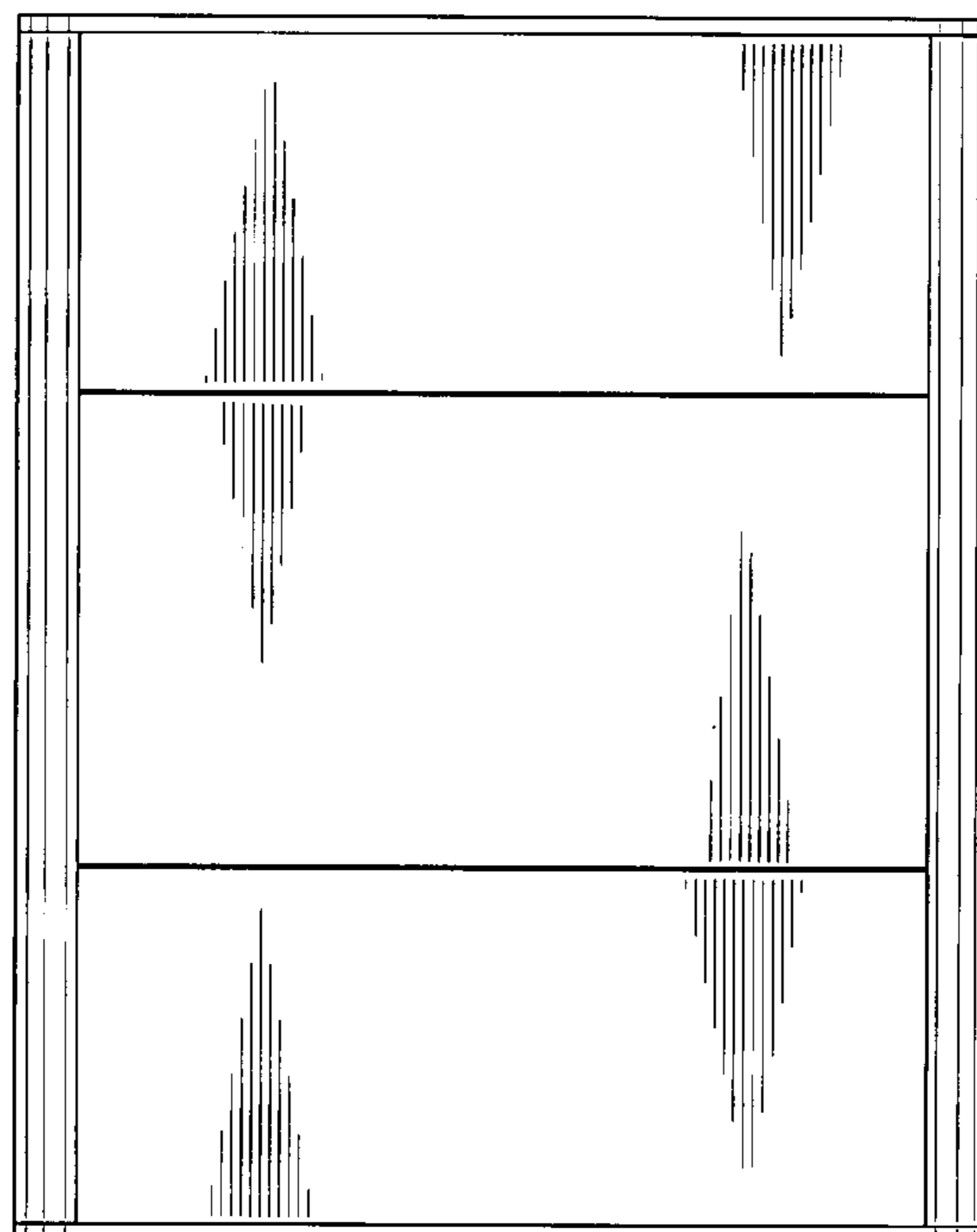


FIG. 4

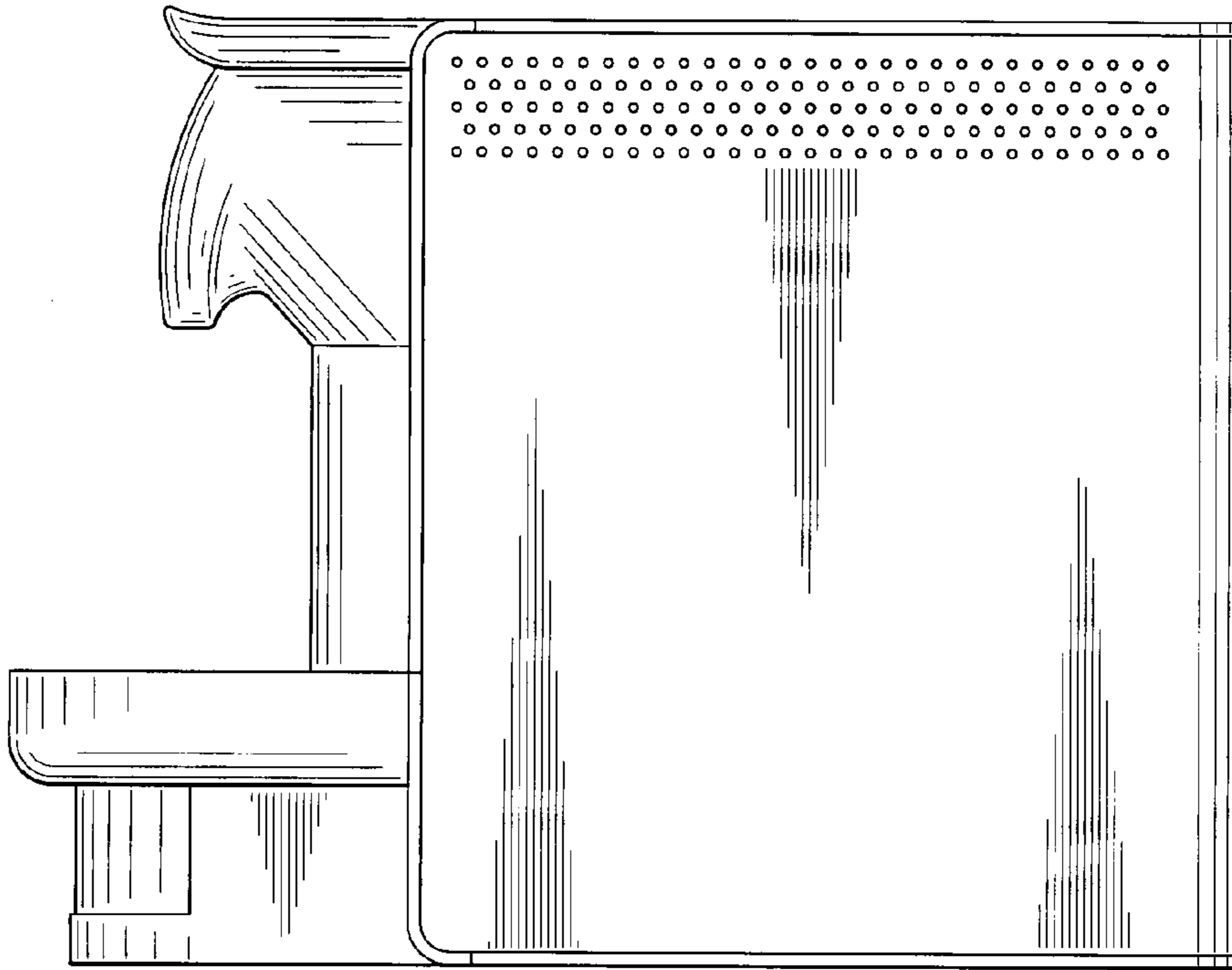


FIG. 5

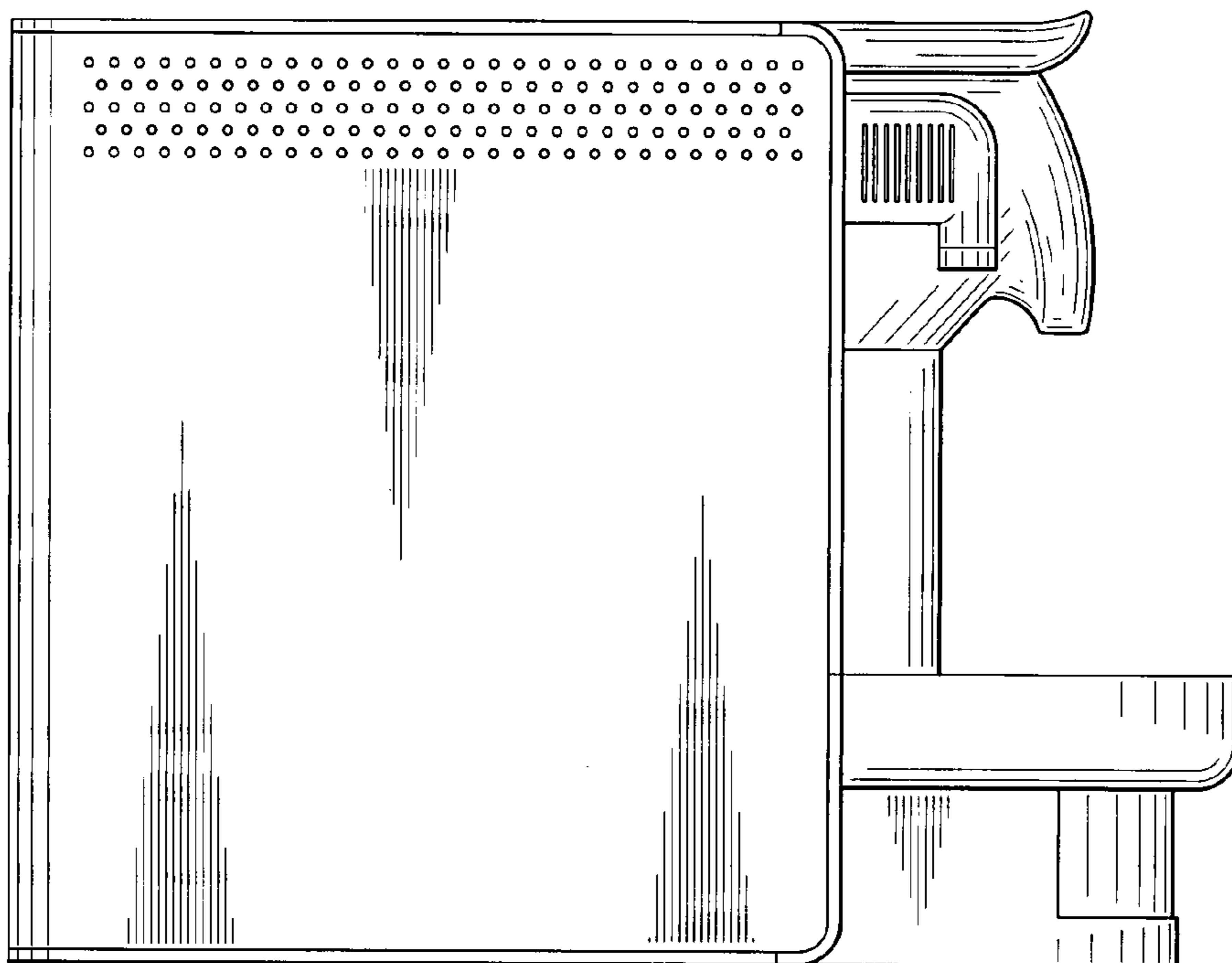


FIG. 6

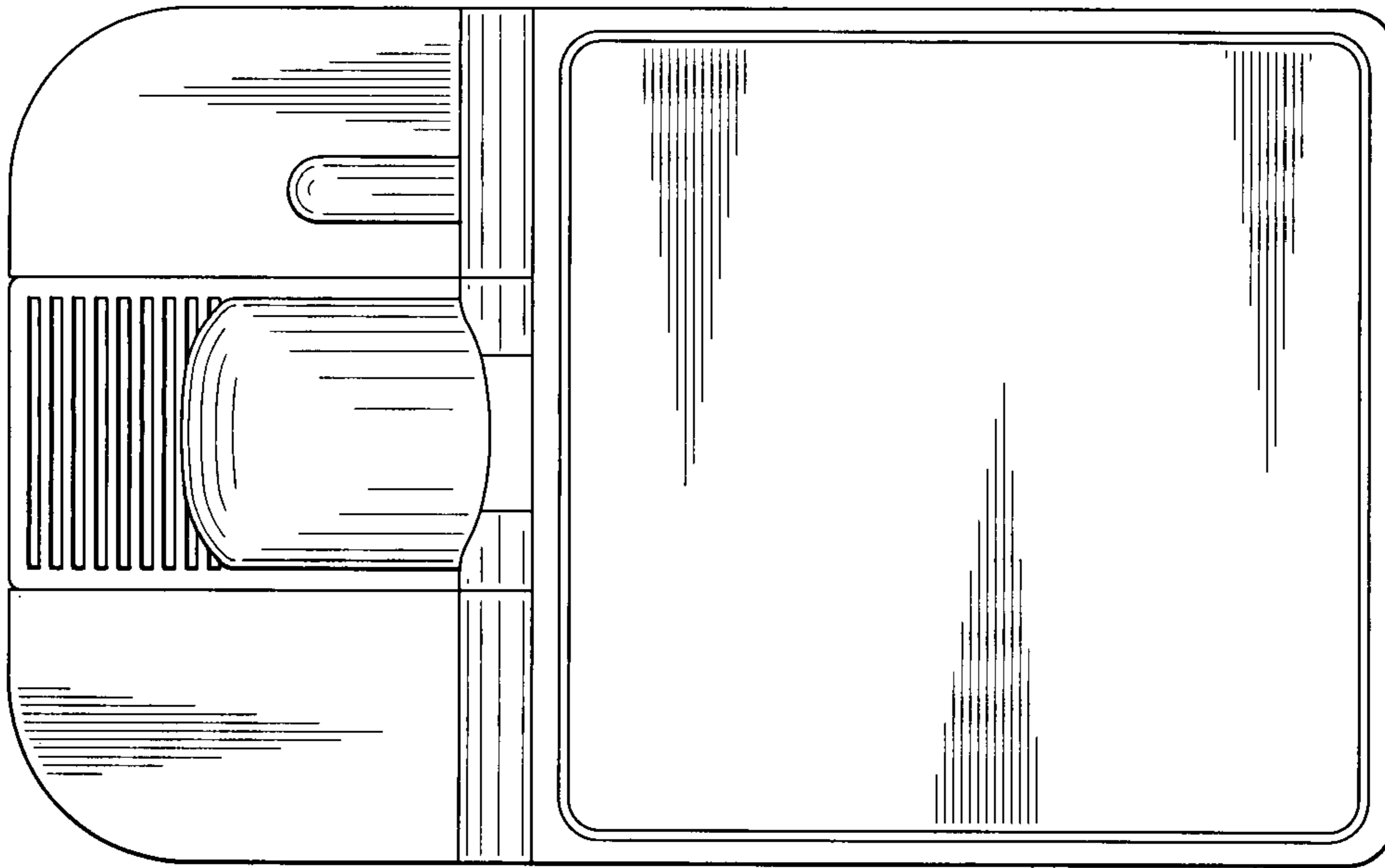


FIG. 7

