



US00D574174S

(12) **United States Design Patent**
Tonelli

(10) **Patent No.:** **US D574,174 S**

(45) **Date of Patent:** **** Aug. 5, 2008**

(54) **COFFEEMAKER**

(75) Inventor: **Stefano Tonelli**, Gaggio Montano (IT)

(73) Assignee: **Seaco International Group S.p.A.**,
Gaggio Montano (Bologna) (IT)

(**) Term: **14 Years**

(21) Appl. No.: **29/267,292**

(22) Filed: **Oct. 10, 2006**

(30) **Foreign Application Priority Data**

Apr. 7, 2006 (EM) 000509823-0002

(51) **LOC (8) Cl.** **07-01**

(52) **U.S. Cl.** **D7/309; D7/311**

(58) **Field of Classification Search** D7/309–311,
D7/306–308, 300, 305; 99/289 R, 295, 282,
99/304; 222/129.1, 129.2, 129.3, 129.4
See application file for complete search history.

(56) **References Cited**

U.S. PATENT DOCUMENTS

D414,371 S * 9/1999 Seiffert D7/309
D431,748 S * 10/2000 Cahen D7/309
D445,292 S * 7/2001 Sowden D7/309

D449,199 S * 10/2001 Cahen D7/309
D486,346 S * 2/2004 Jonsson D7/309
D510,675 S * 10/2005 Ball D7/306
D523,279 S * 6/2006 Zemp D7/309
D526,524 S * 8/2006 Jordana D7/309
D526,828 S * 8/2006 Jordana D7/309
D536,917 S * 2/2007 McWilliam D7/309
D538,578 S * 3/2007 McWilliam D7/309
D543,771 S * 6/2007 Julemont D7/309

* cited by examiner

Primary Examiner—Marianne Pandozzi

(74) *Attorney, Agent, or Firm*—Abelman, Frayne & Schwab

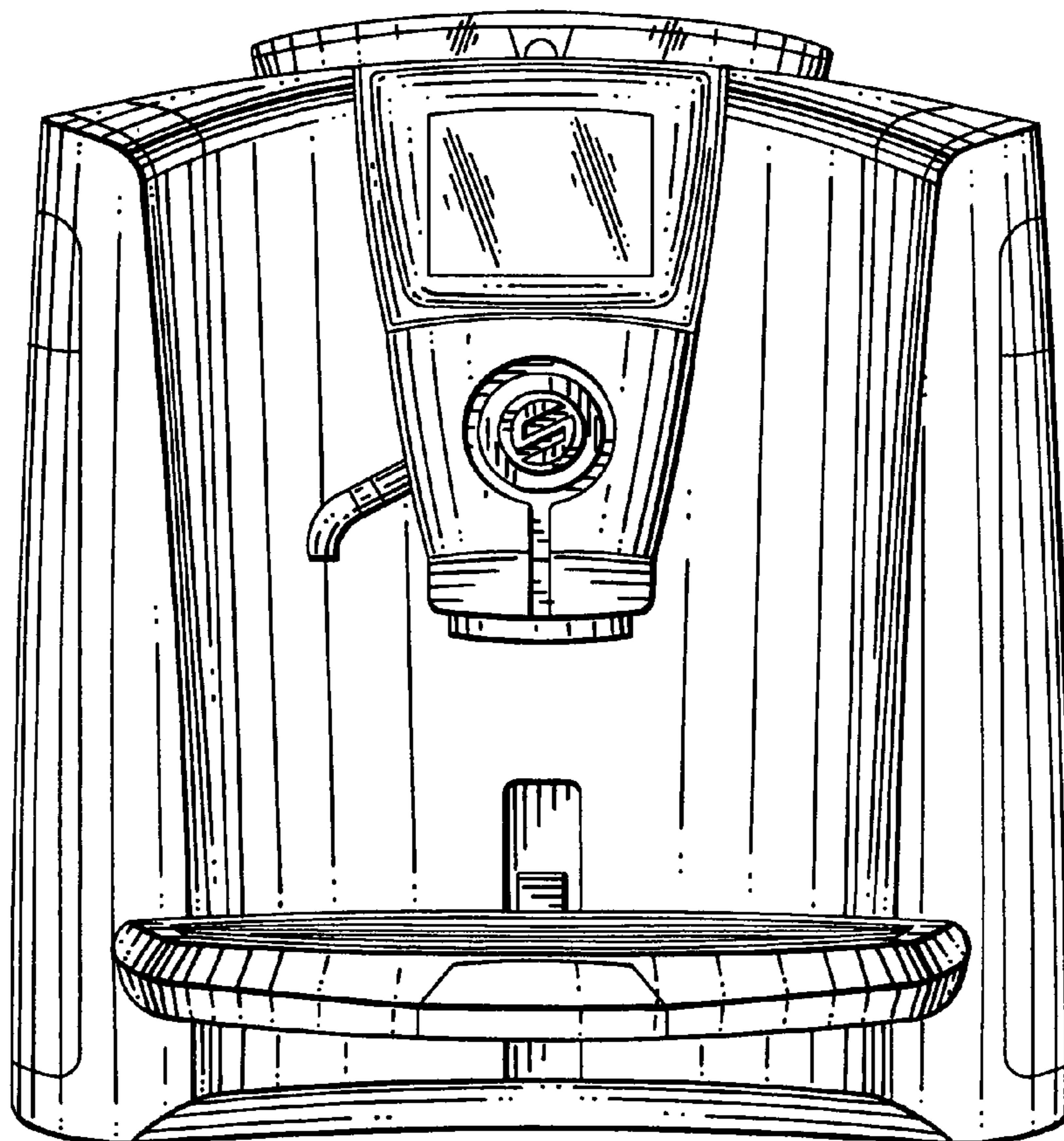
(57) **CLAIM**

The ornamental design for coffeemaker, as shown and described.

DESCRIPTION

FIG. 1 is a front view showing my new coffeemaker design;
FIG. 2 is a right side view thereof;
FIG. 3 is a left side view thereof;
FIG. 4 is a right side, rear perspective view thereof;
FIG. 5 is a rear view thereof; and,
FIG. 6 is a top plan view thereof.

1 Claim, 6 Drawing Sheets



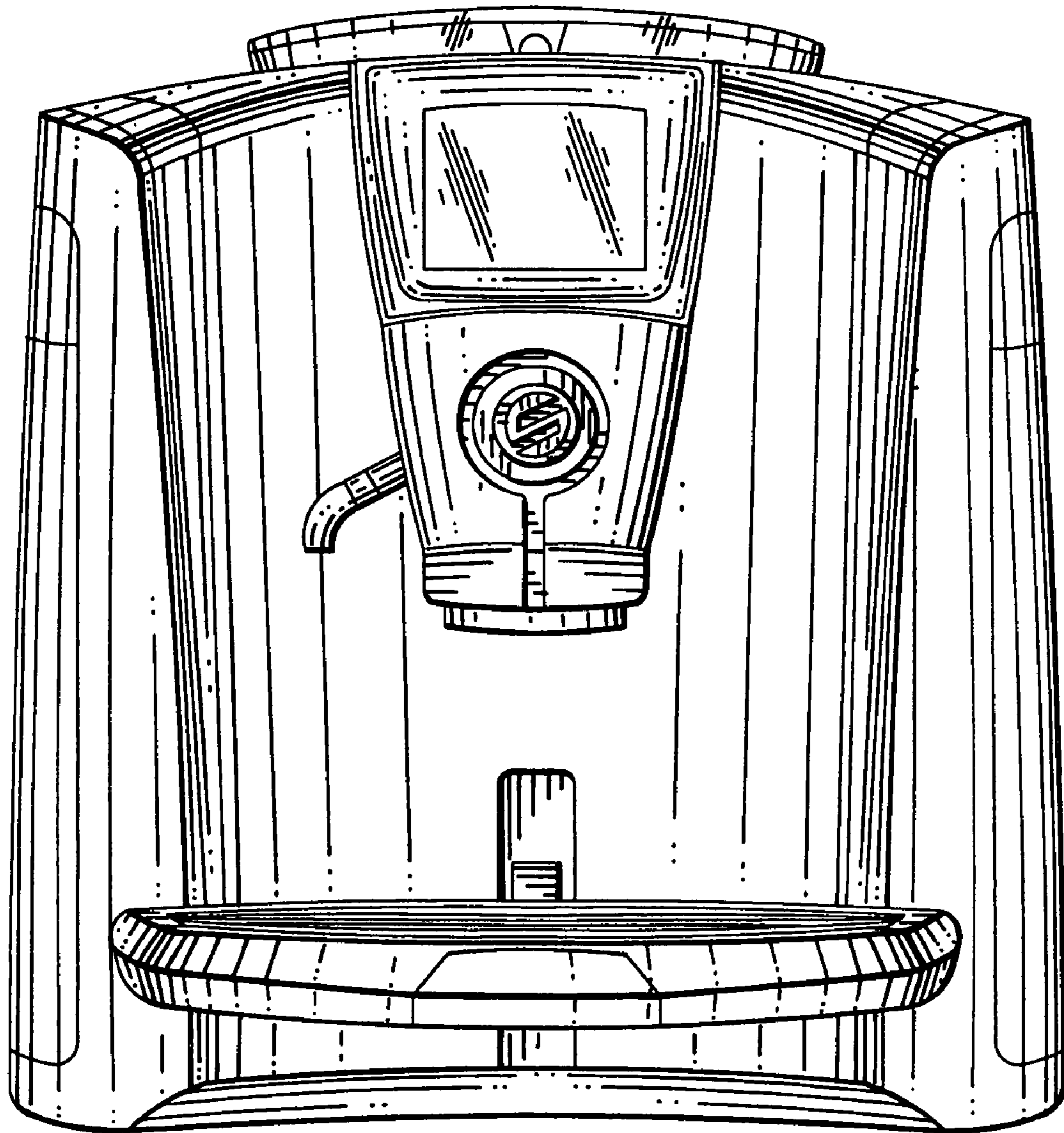


FIG. 1

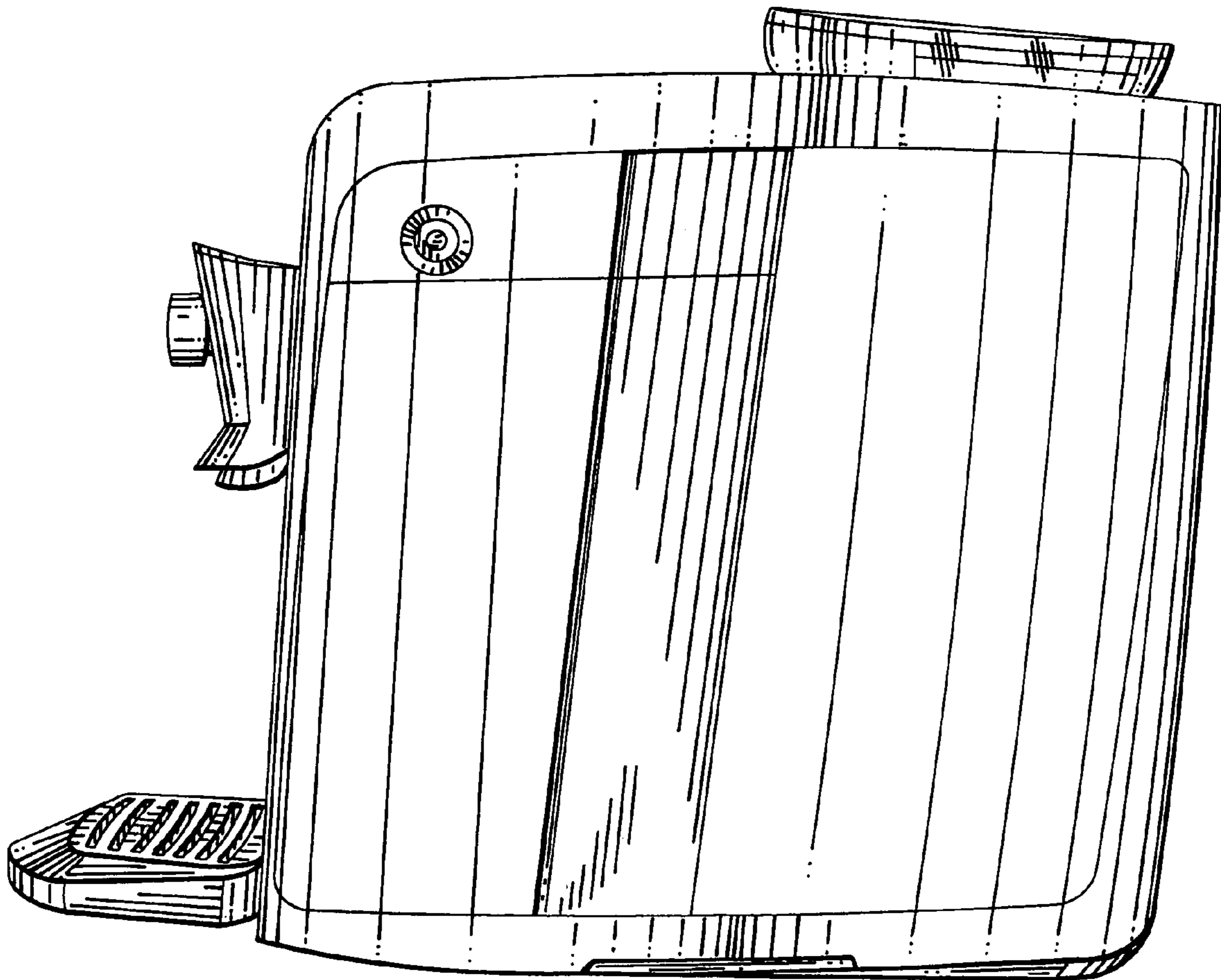


FIG. 2

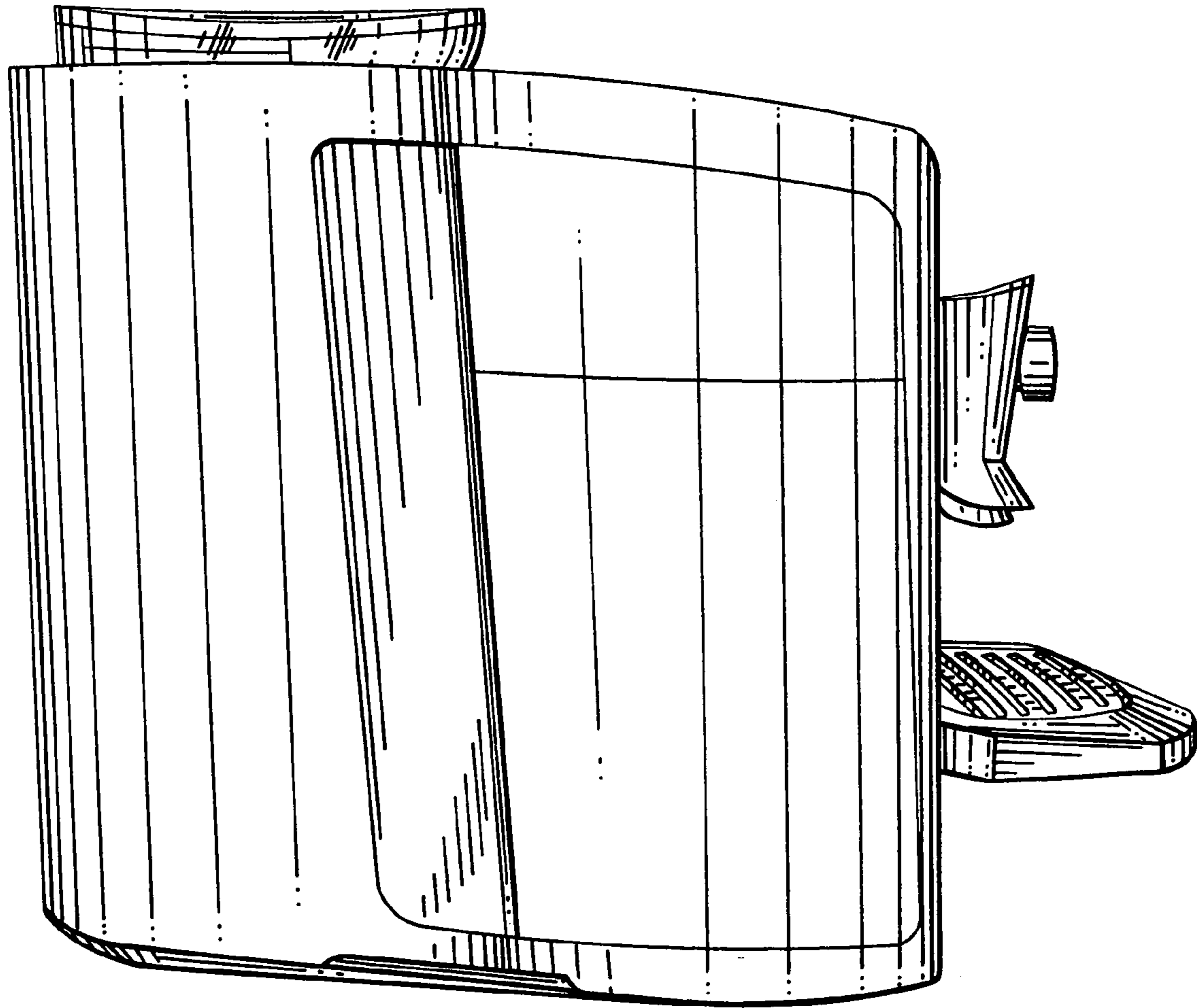


FIG. 3

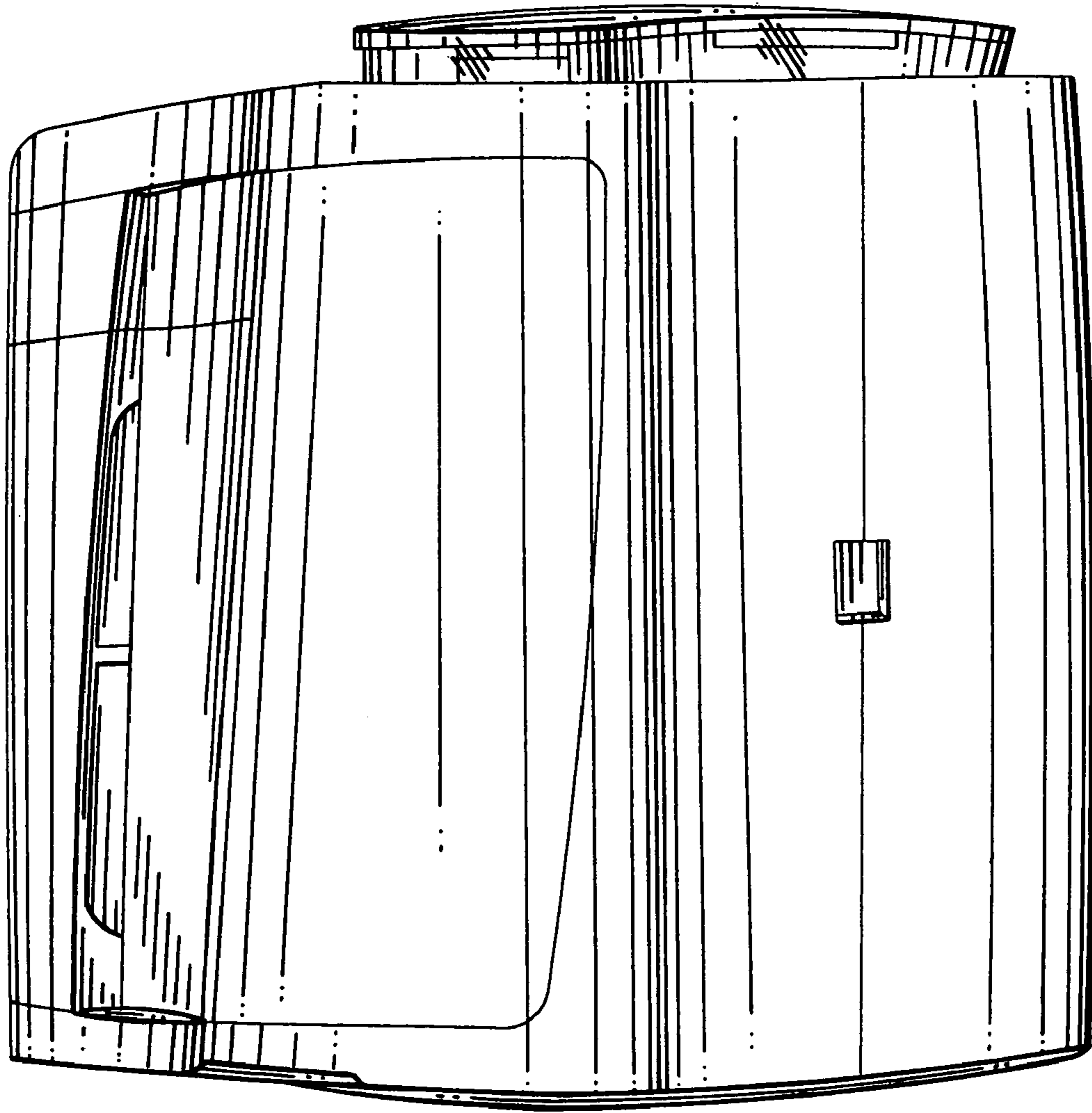


FIG. 4

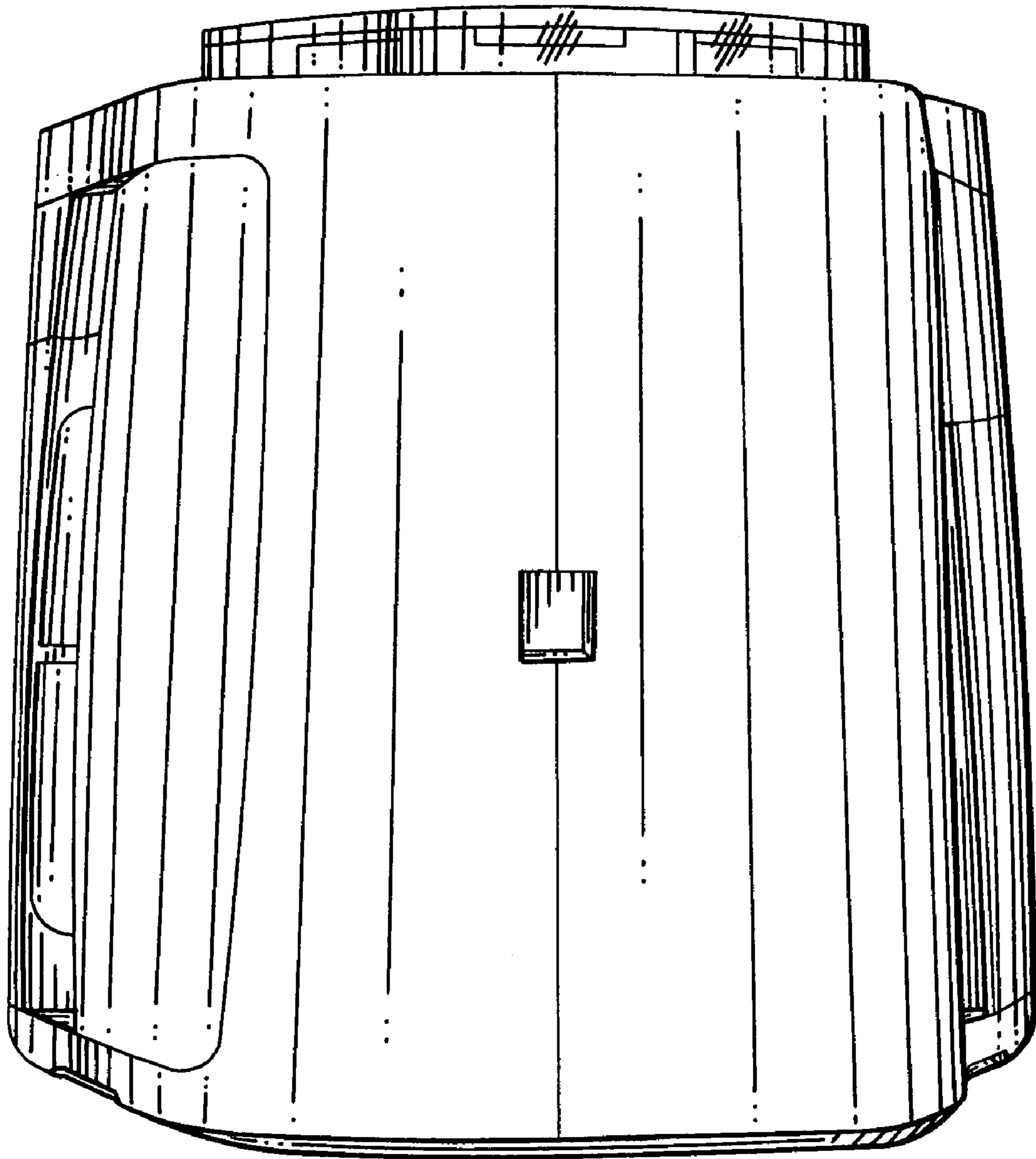


FIG. 5

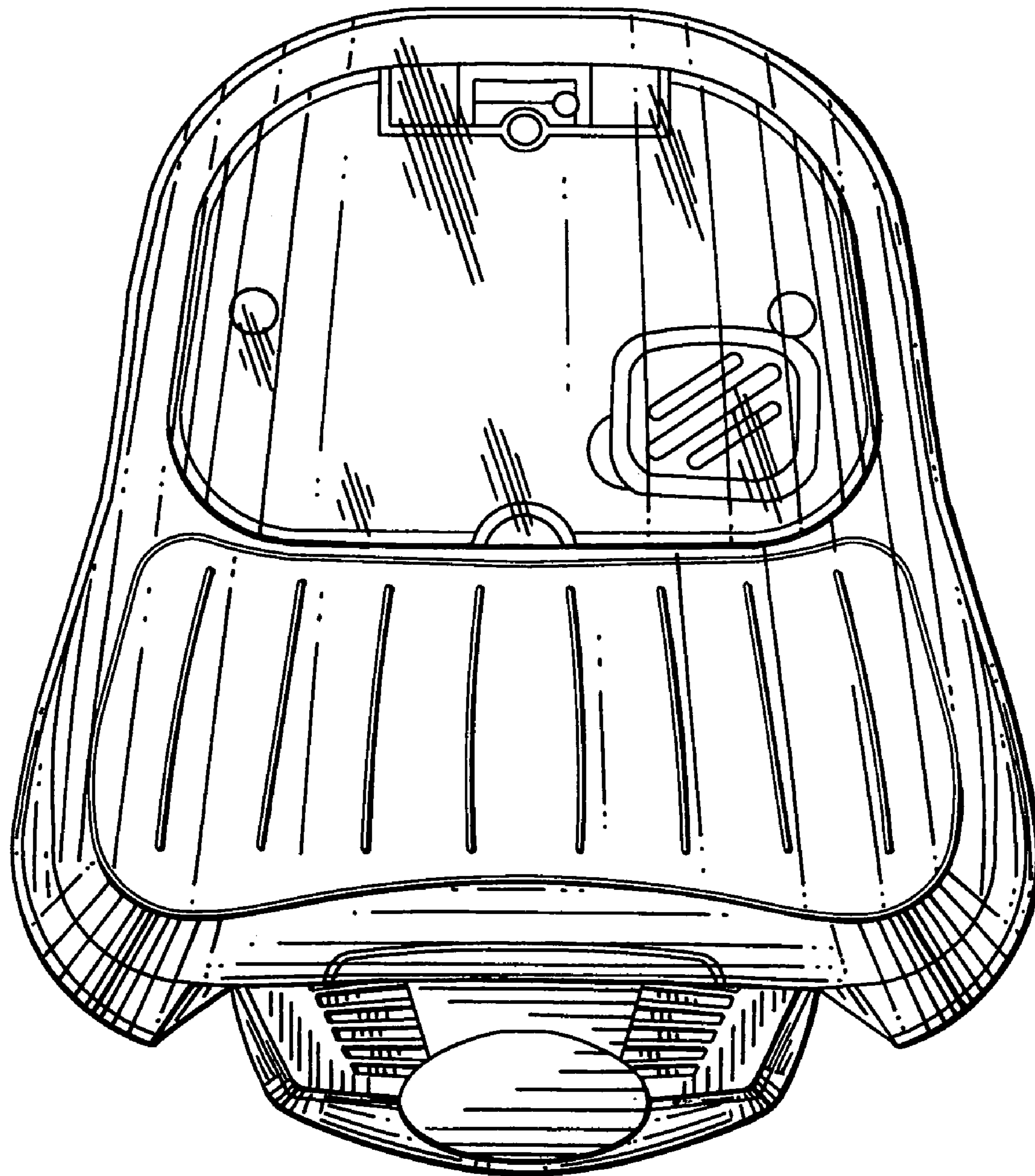


FIG. 6

UNITED STATES PATENT AND TRADEMARK OFFICE
CERTIFICATE OF CORRECTION

PATENT NO. : Des. 574,174 S
APPLICATION NO. : 29/267292
DATED : October 10, 2006
INVENTOR(S) : Stefano Tonelli

Page 1 of 1

It is certified that error appears in the above-identified patent and that said Letters Patent is hereby corrected as shown below:

Title page, should read
Item --(73) Assignee: Saeco International Group S.p.A.
Gaggio Montano (Bologna) (IT)--

Signed and Sealed this

Thirtieth Day of December, 2008

A handwritten signature in black ink that reads "Jon W. Dudas". The signature is written in a cursive style with a large, looped initial "J".

JON W. DUDAS
Director of the United States Patent and Trademark Office

UNITED STATES PATENT AND TRADEMARK OFFICE
CERTIFICATE OF CORRECTION

PATENT NO. : Des. 574,174 S
APPLICATION NO. : 29/267292
DATED : August 5, 2008
INVENTOR(S) : Stefano Tonelli

Page 1 of 1

It is certified that error appears in the above-identified patent and that said Letters Patent is hereby corrected as shown below:

Title page, should read
Item --(73) Assignee: Saeco International Group S.p.A.
Gaggio Montano (Bologna) (IT)--

This certificate supersedes the Certificate of Correction issued December 30, 2008.

Signed and Sealed this

Third Day of February, 2009



JOHN DOLL
Acting Director of the United States Patent and Trademark Office