



US00D574173S

(12) **United States Design Patent**
Green

(10) **Patent No.:** **US D574,173 S**

(45) **Date of Patent:** **** Aug. 5, 2008**

(54) **TUBE ROLLING DEVICE**

(76) **Inventor:** **Parish Orville Green**, 230 1/2 Arvin Street, Bakersfield, CA (US) 93308

(**) **Term:** **14 Years**

(21) **Appl. No.:** **29/291,310**

(22) **Filed:** **Aug. 23, 2007**

(51) **LOC (8) Cl.** **23-02**

(52) **U.S. Cl.** **D6/541**

(58) **Field of Classification Search** D6/541;
D9/434; 222/92, 95, 99, 104
See application file for complete search history.

(56) **References Cited**

U.S. PATENT DOCUMENTS

D364,062 S *	11/1995	Garcia	D6/541
D378,557 S *	3/1997	Tal	D6/541
D543,751 S *	6/2007	Renzio	D6/541
D544,739 S *	6/2007	Knowles	D6/541

* cited by examiner

Primary Examiner—Brian N Vinson

(74) *Attorney, Agent, or Firm*—Richard A. Ryan

(57) **CLAIM**

The ornamental design for a tube rolling device, as shown and described.

DESCRIPTION

FIG. 1 is a left front perspective view of the design for a tube rolling device;

FIG. 2 is a top view of the tube rolling device;

FIG. 3 is a bottom view of the tube rolling device;

FIG. 4 is a front view of the tube rolling device;

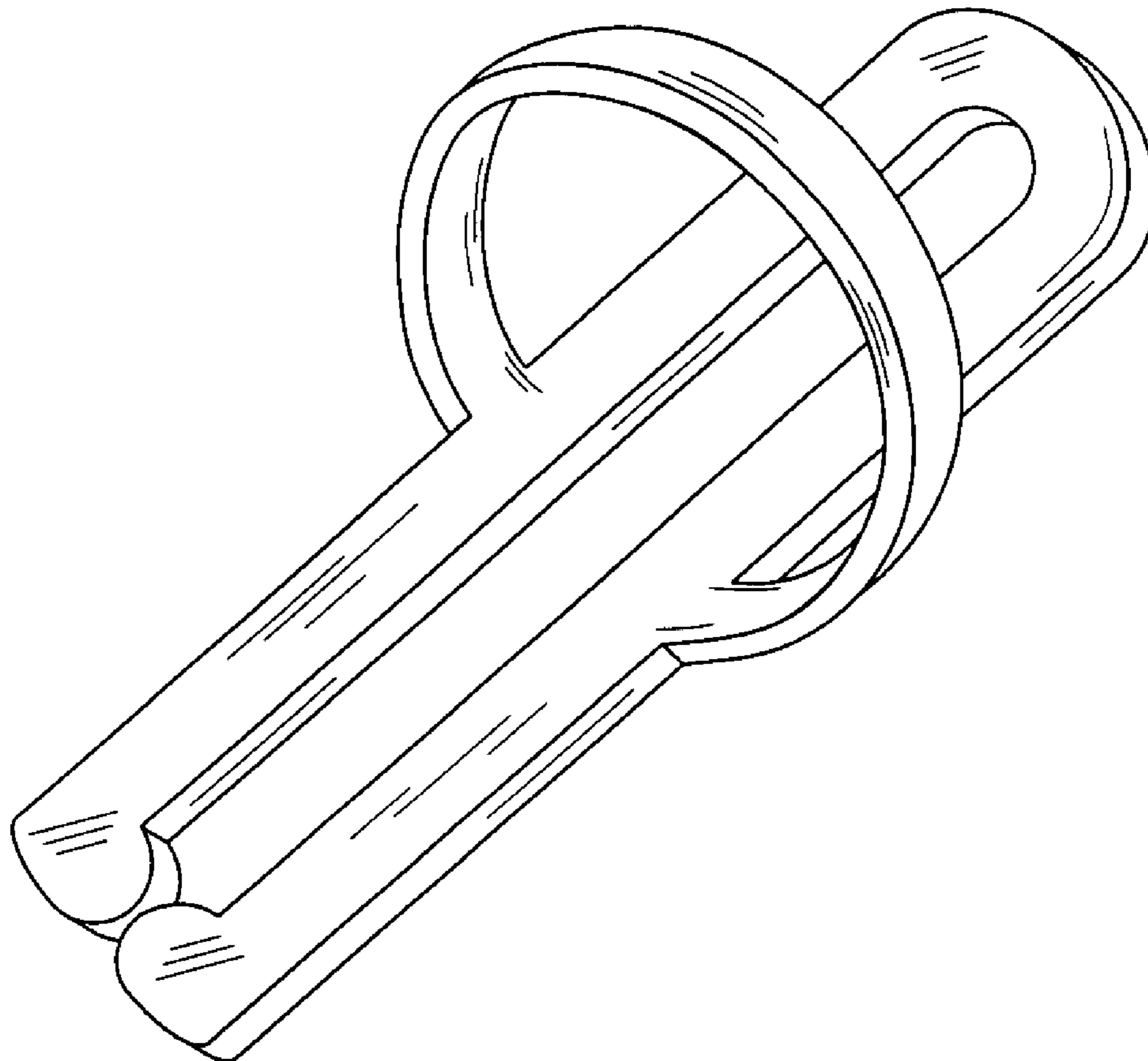
FIG. 5 is a back view of the tube rolling device;

FIG. 6 is a left side view of the tube rolling device;

FIG. 7 is a right side view of the tube rolling device; and,

FIG. 8 is a top perspective view of the tube rolling device shown attached to a tube product, with the tube product shown in broken lines for illustrative purposes only and forming no part of the claimed design.

1 Claim, 3 Drawing Sheets



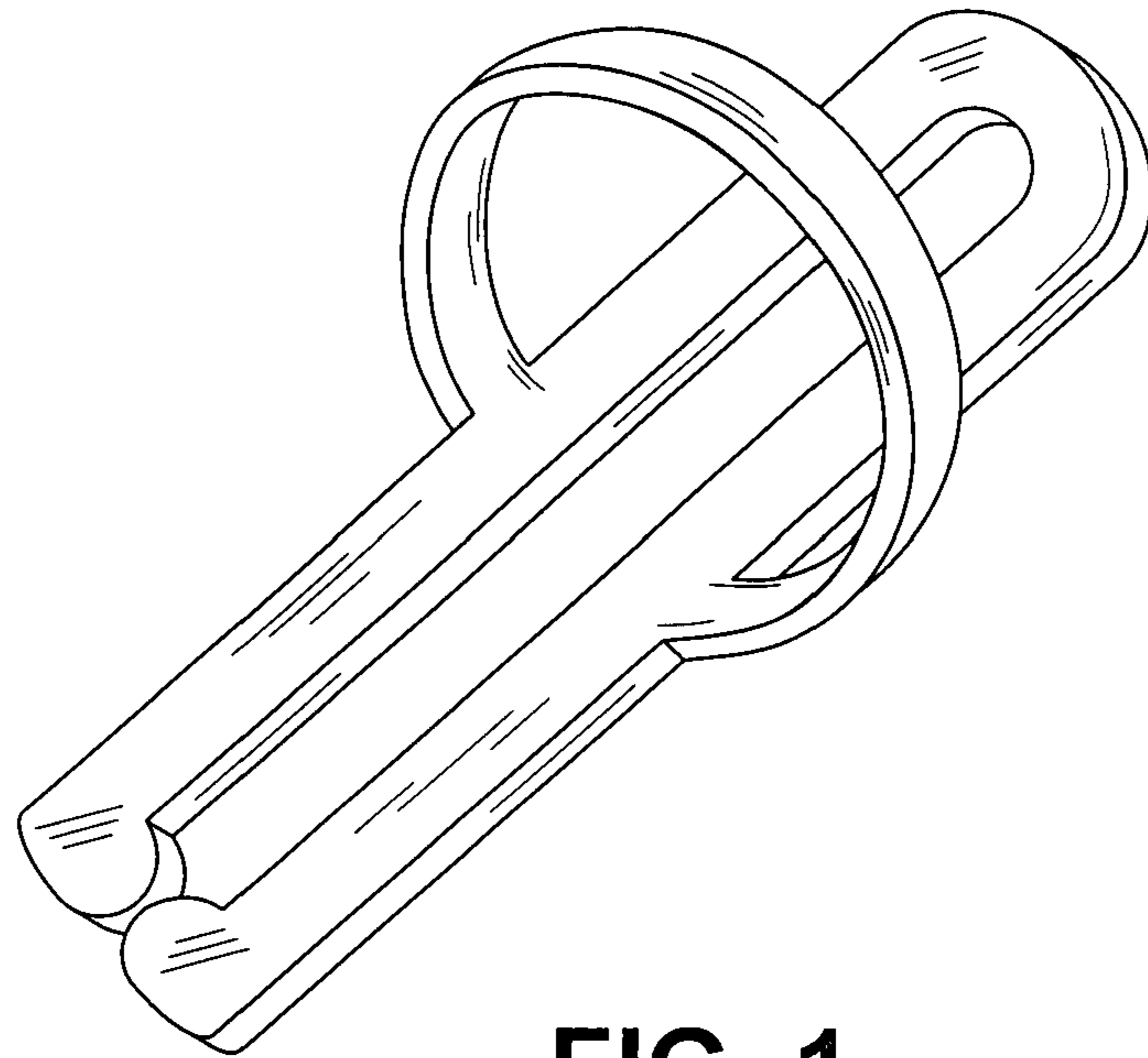


FIG. 1

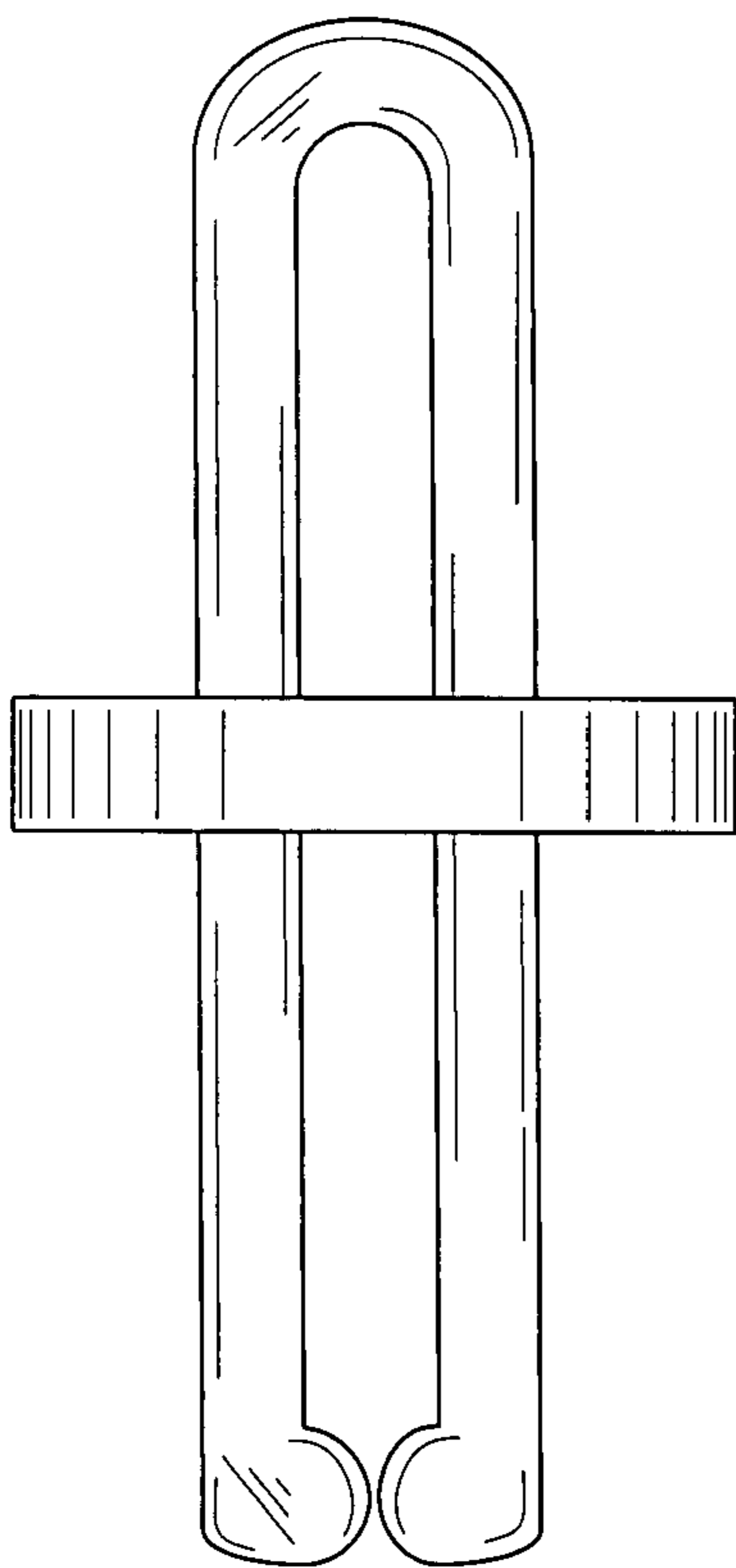


FIG. 2

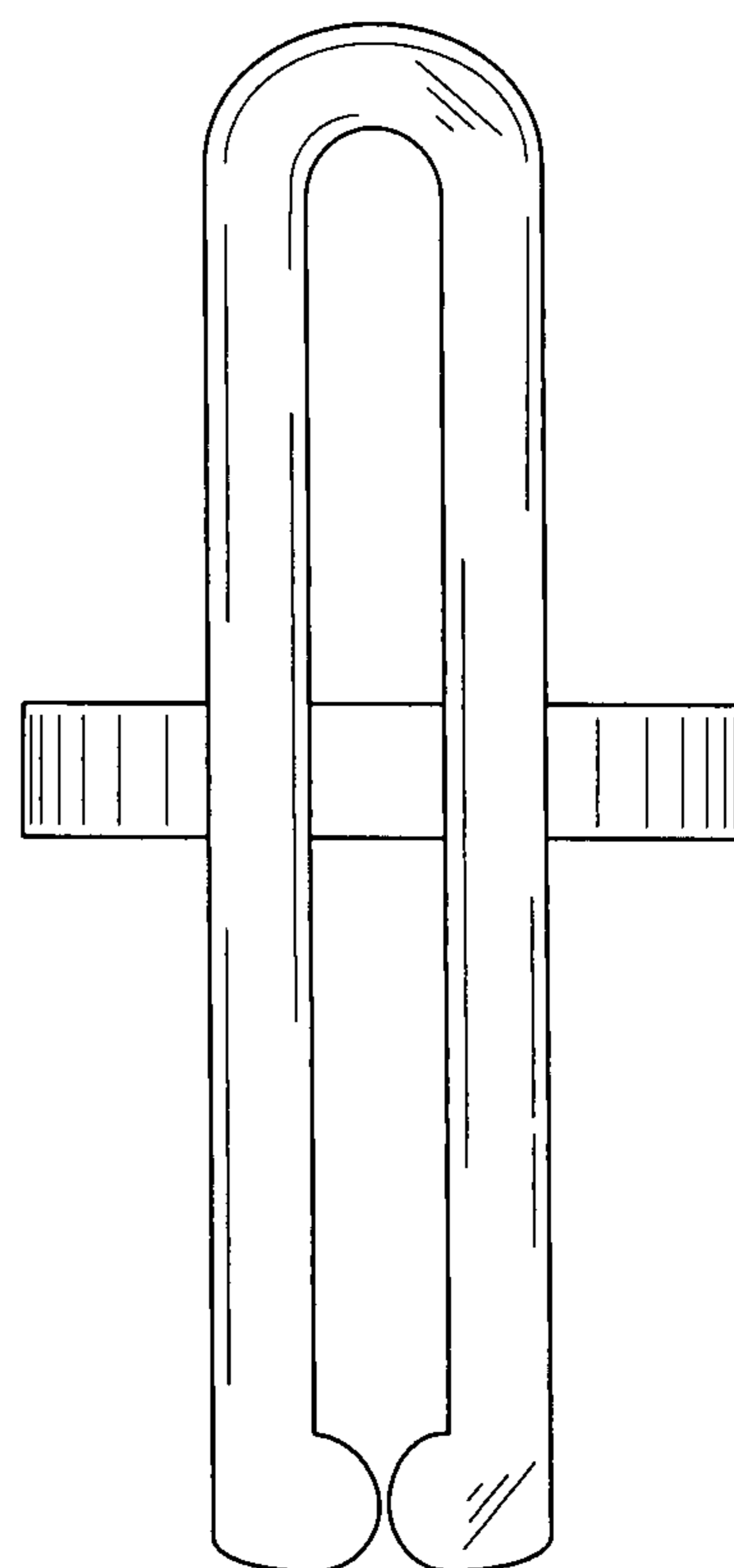


FIG. 3

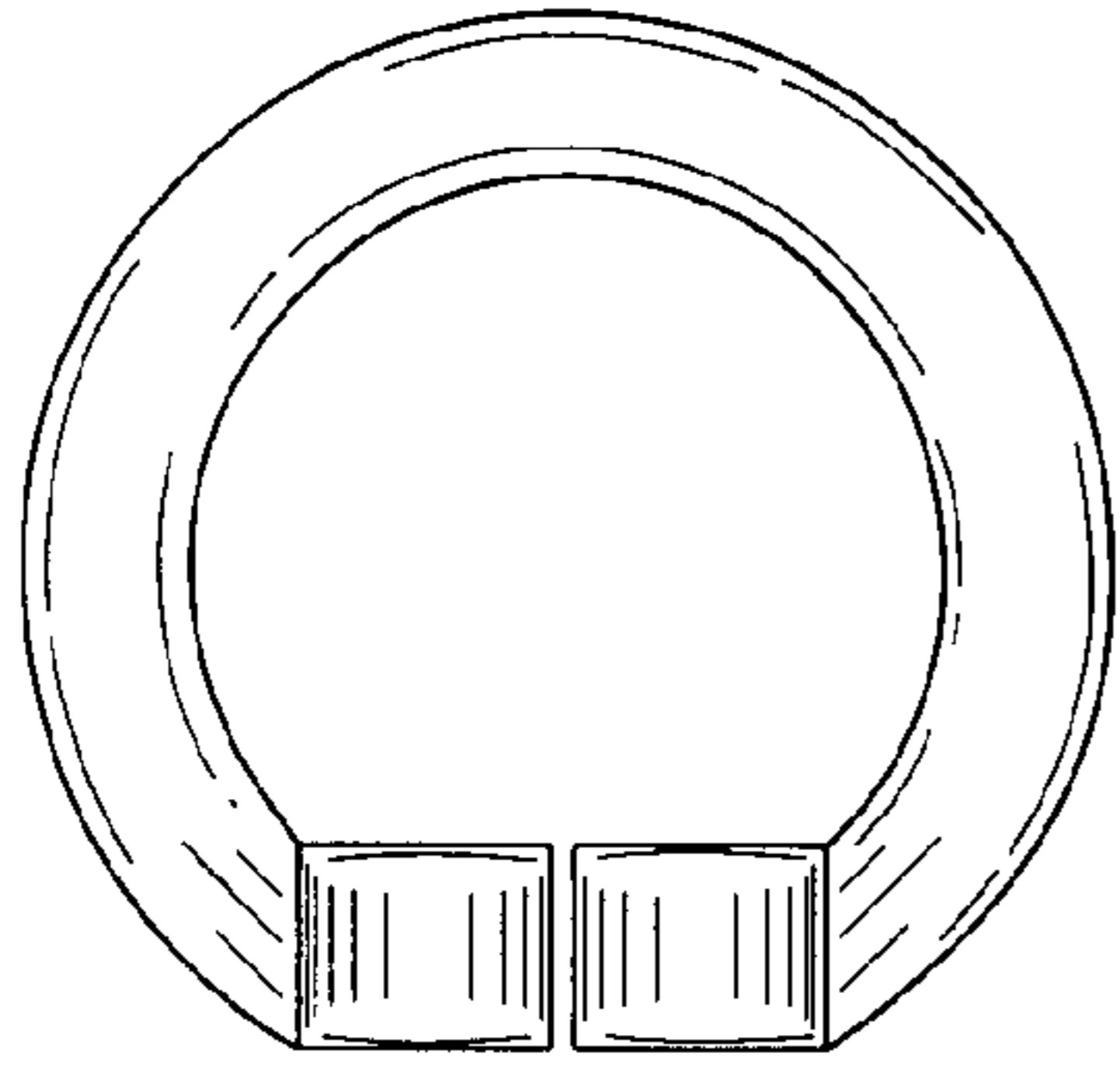


FIG. 4

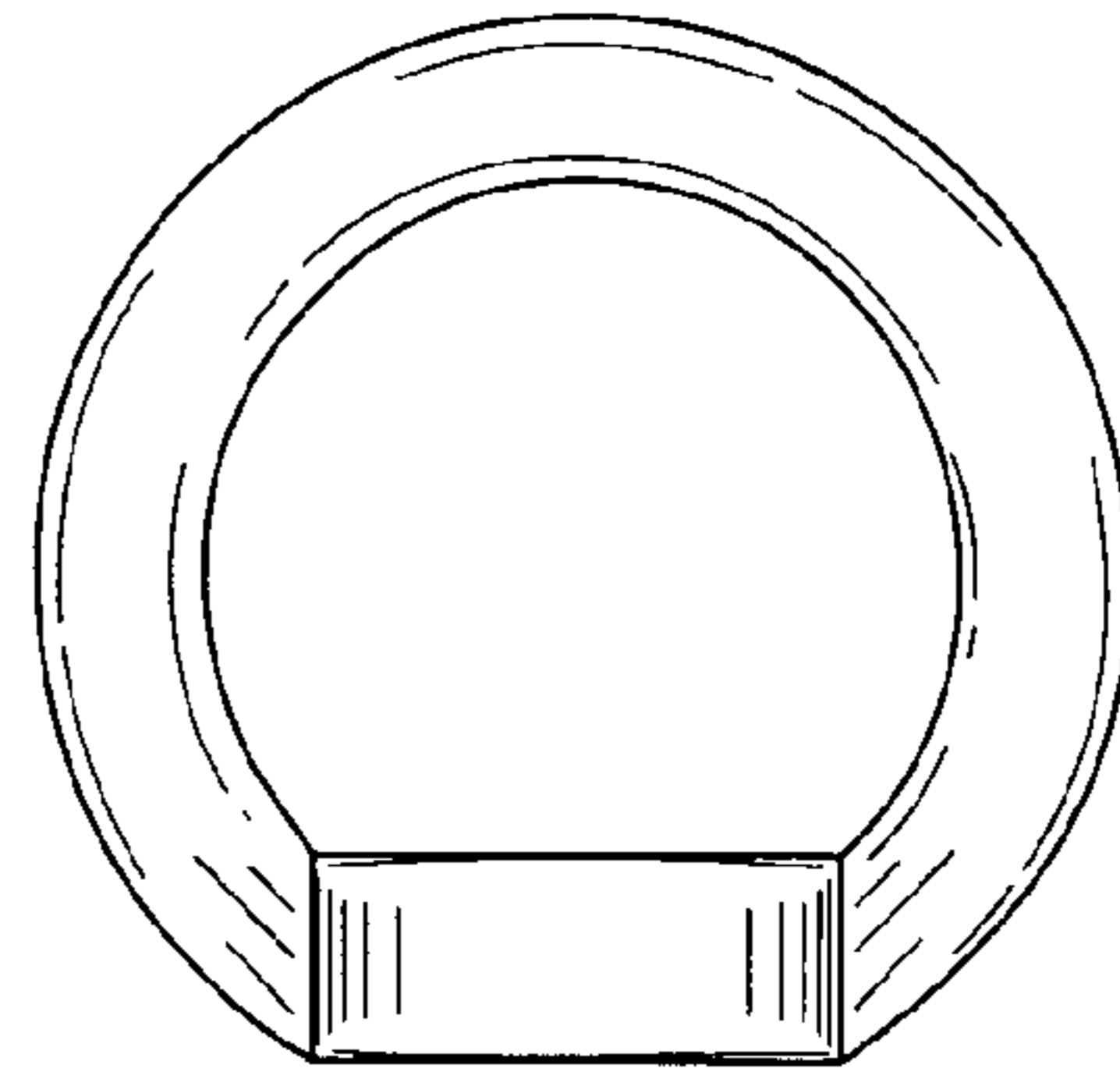


FIG. 5

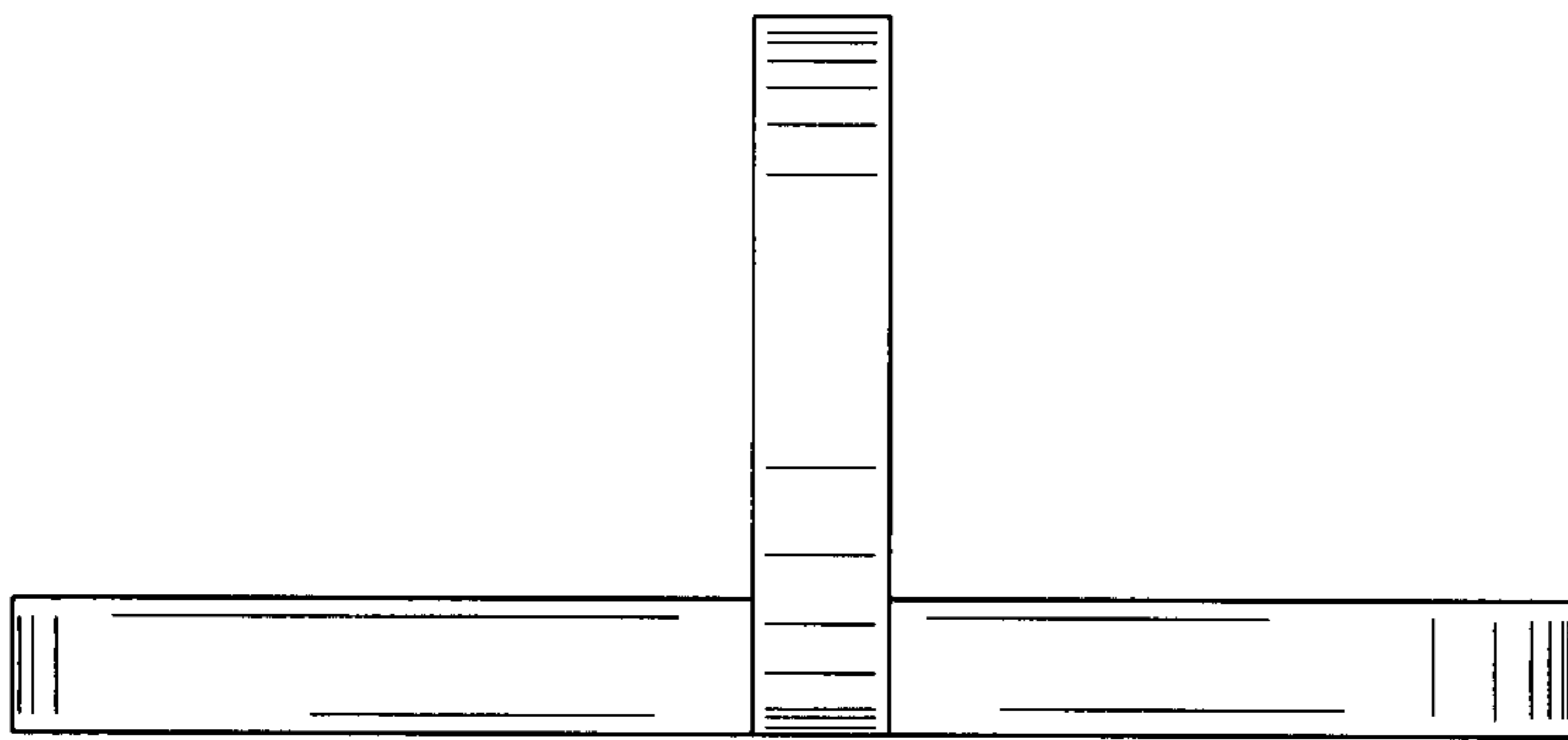


FIG. 6

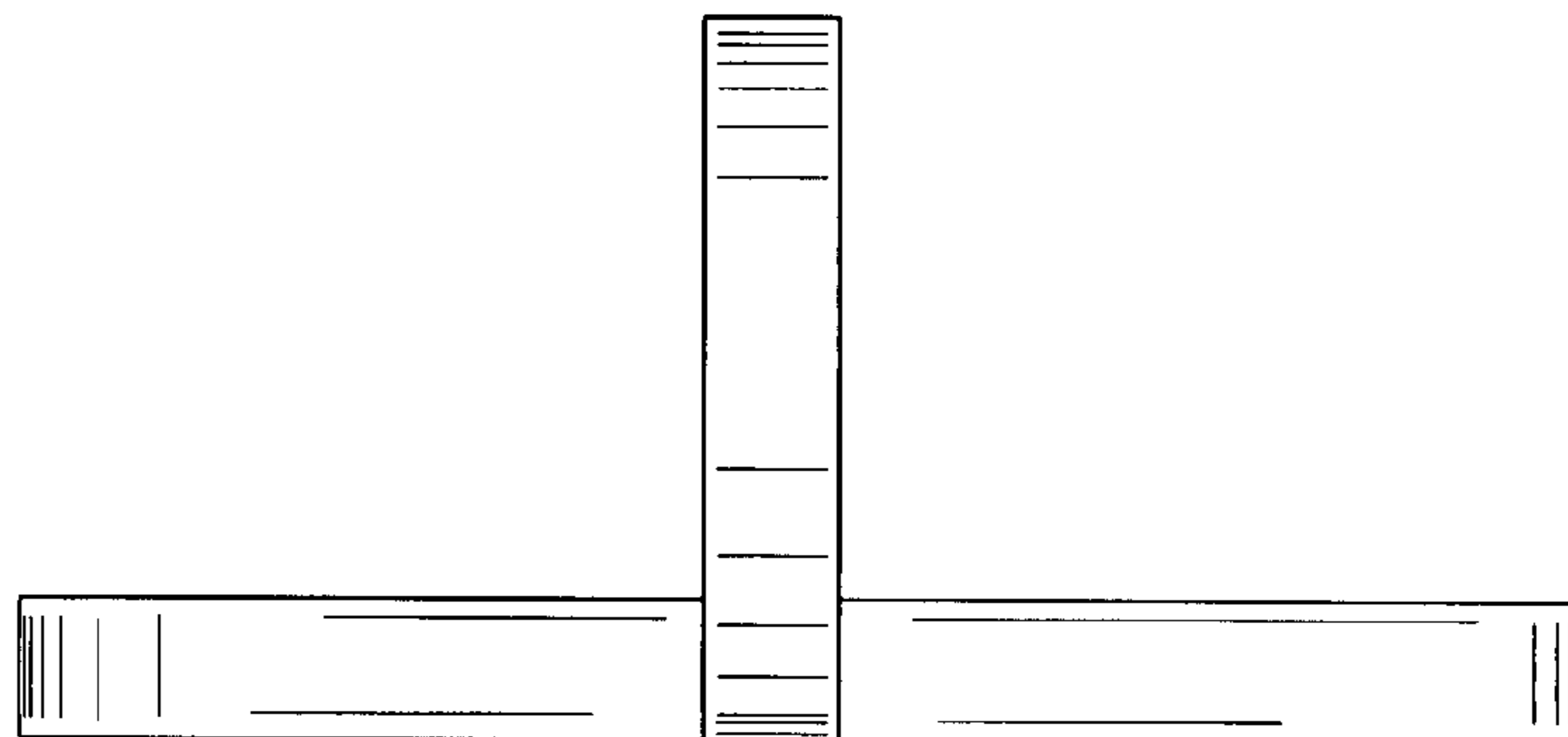


FIG. 7

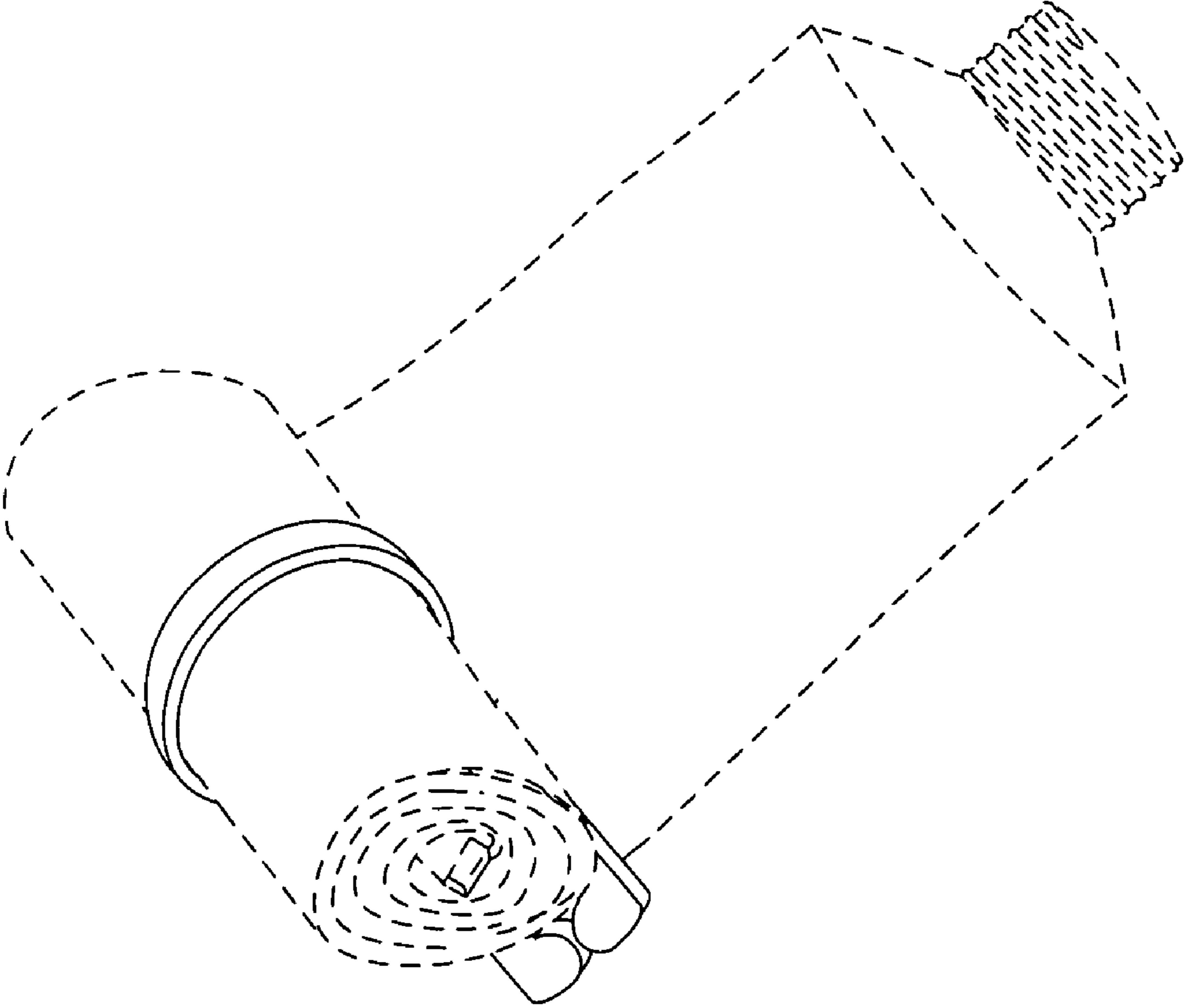


FIG. 8