



US00D574172S

(12) **United States Design Patent**
Bickler et al.

(10) **Patent No.:** **US D574,172 S**

(45) **Date of Patent:** **** Aug. 5, 2008**

(54) **SOAP DISH**

(75) Inventors: **Marc Bickler**, Charlotte, NC (US);
Victor Hoernig, Lowell, IN (US);
Geraint Krumpe, Chicago, IL (US)

(73) Assignee: **Brasstech, Inc.**, Santa Ana, CA (US)

(**) Term: **14 Years**

(21) Appl. No.: **29/279,513**

(22) Filed: **May 2, 2007**

(51) **LOC (8) Cl.** **23-02**

(52) **U.S. Cl.** **D6/540**

(58) **Field of Classification Search** D6/536-540,
D6/524, 525; D7/502, 550, 554.2, 56; D9/682,
D9/690, 692; 206/77.1, 557, 587, 823; 211/13.1,
211/85.4, 52.12

See application file for complete search history.

(56) **References Cited**

U.S. PATENT DOCUMENTS

D444,976 S * 7/2001 Hundley D6/540
D451,732 S * 12/2001 Zetsche D6/540

D453,647 S * 2/2002 Gottwald D6/540
D463,936 S * 10/2002 Chen D6/540
D480,585 S * 10/2003 Johansson et al. D6/540

* cited by examiner

Primary Examiner—Brian N Vinson

(74) *Attorney, Agent, or Firm*—Edgar A. Zarins; Lloyd D. Doigan

(57) **CLAIM**

The ornamental design for a soap dish, as shown and described.

DESCRIPTION

FIG. 1 is a front perspective view of a soap dish showing our design;

FIG. 2 is a top plan view thereof;

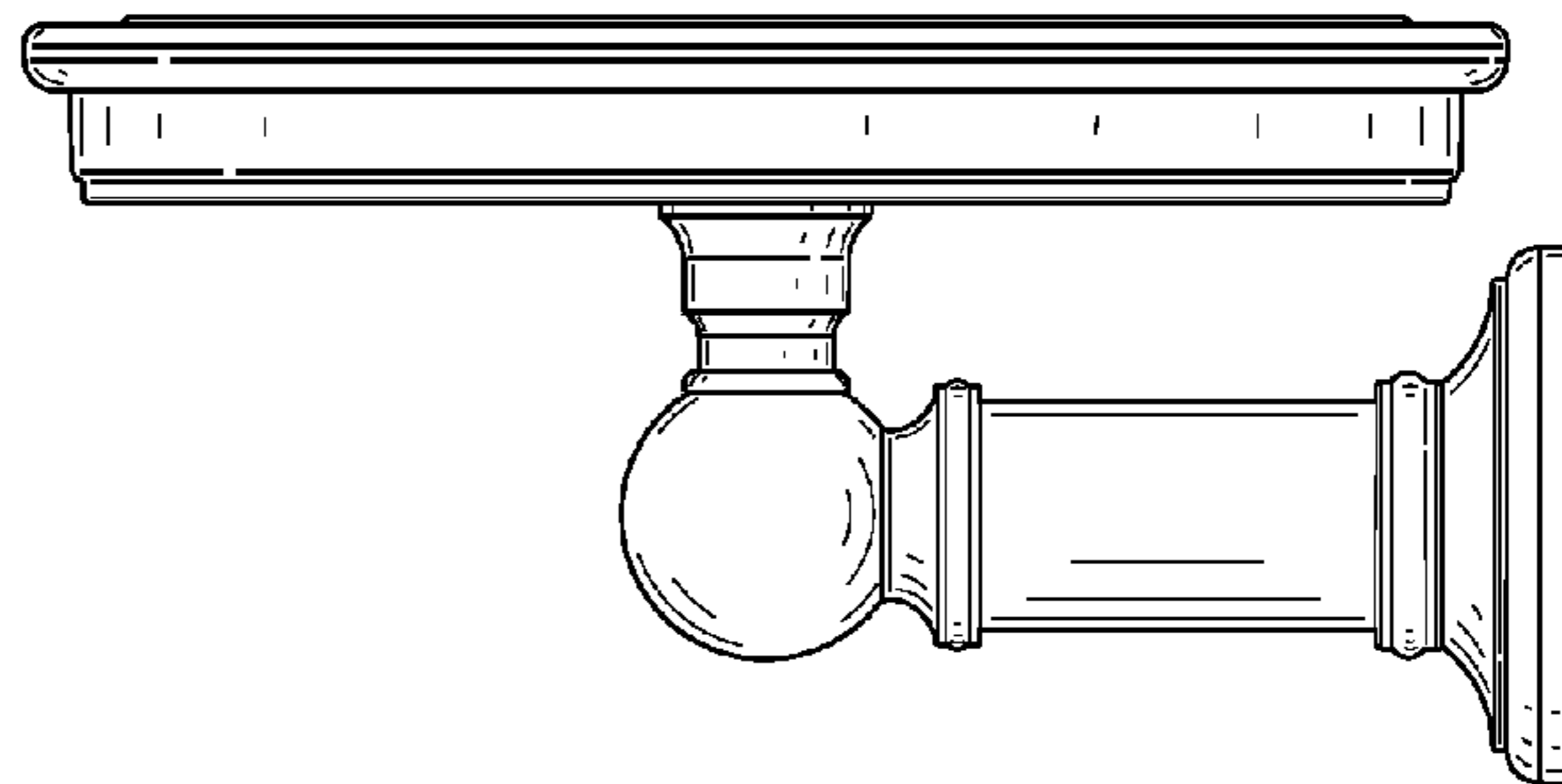
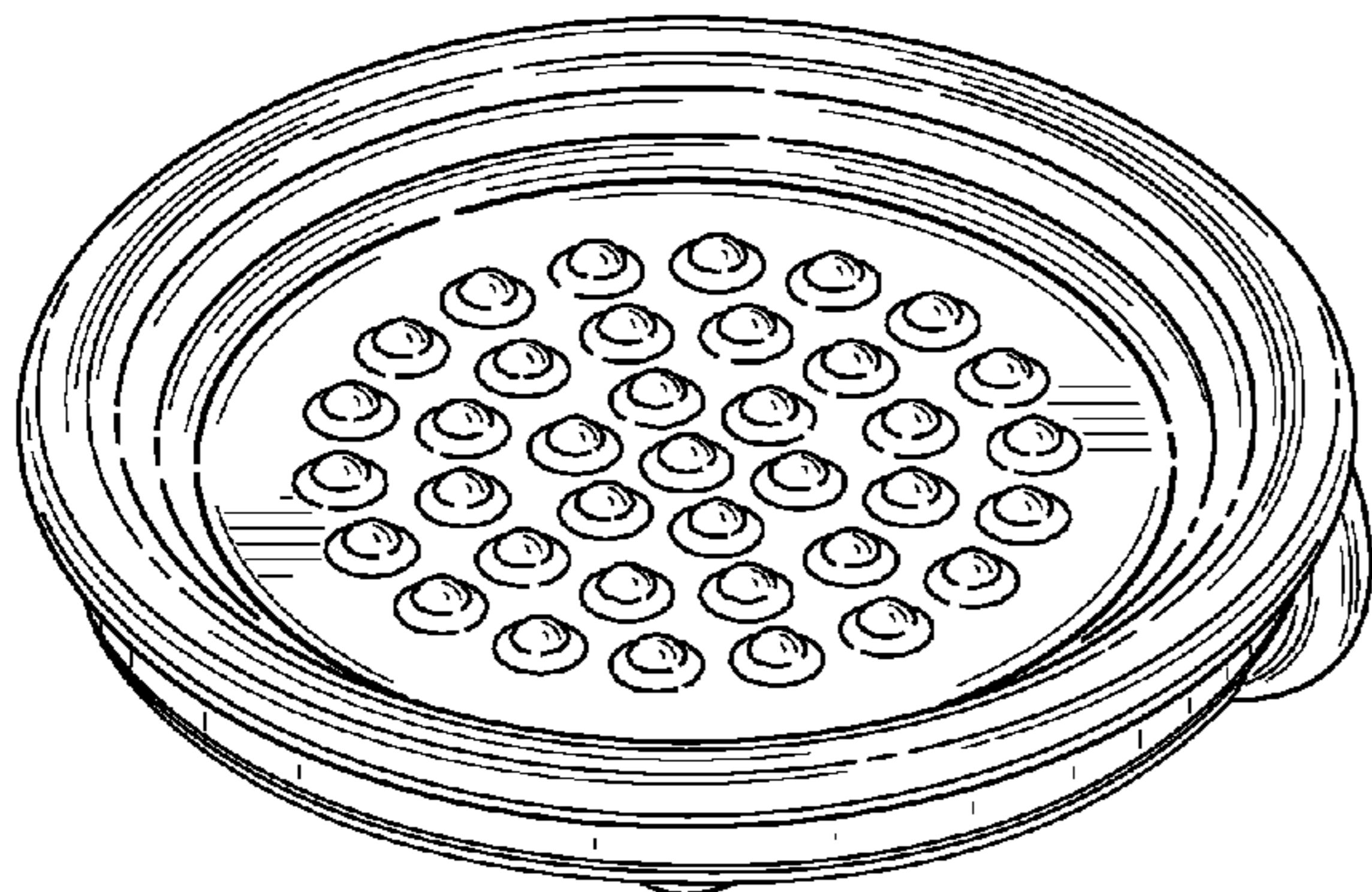
FIG. 3 is a bottom plan view thereof;

FIG. 4 is a front elevational view thereof;

FIG. 5 is a right side elevational view thereof; and,

FIG. 6 is a left side elevational view thereof.

1 Claim, 6 Drawing Sheets



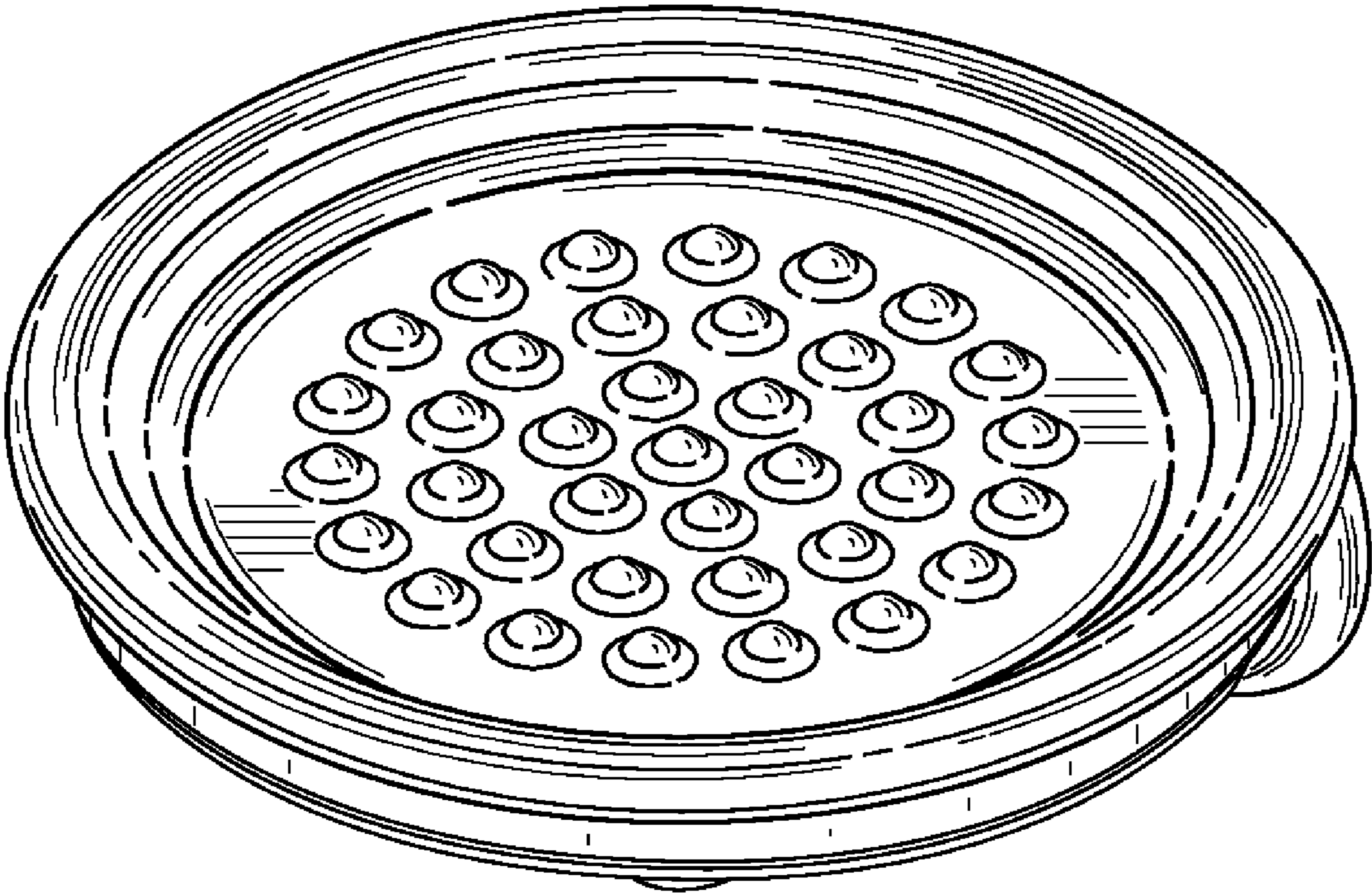


FIG. 1

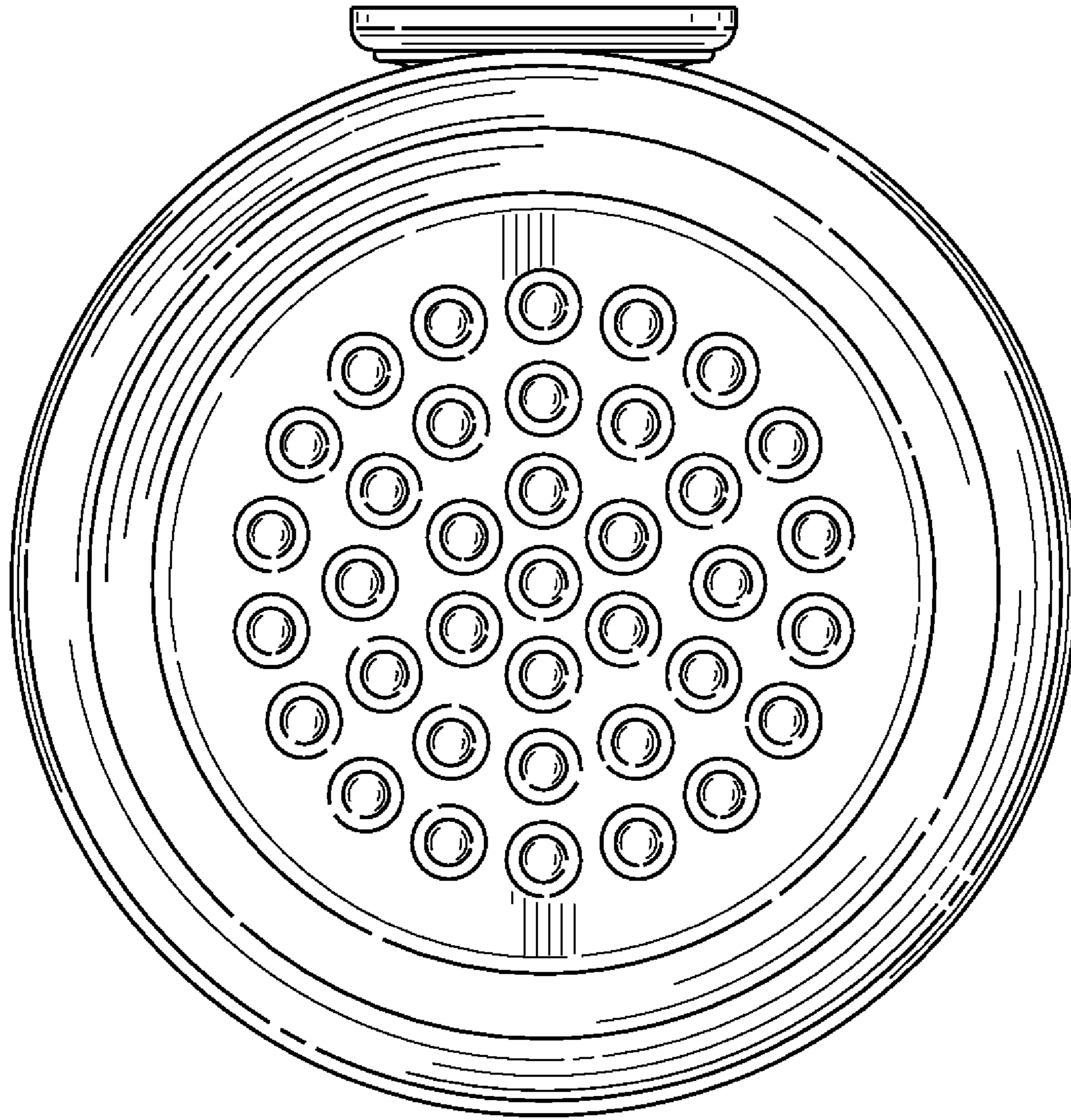


FIG. 2

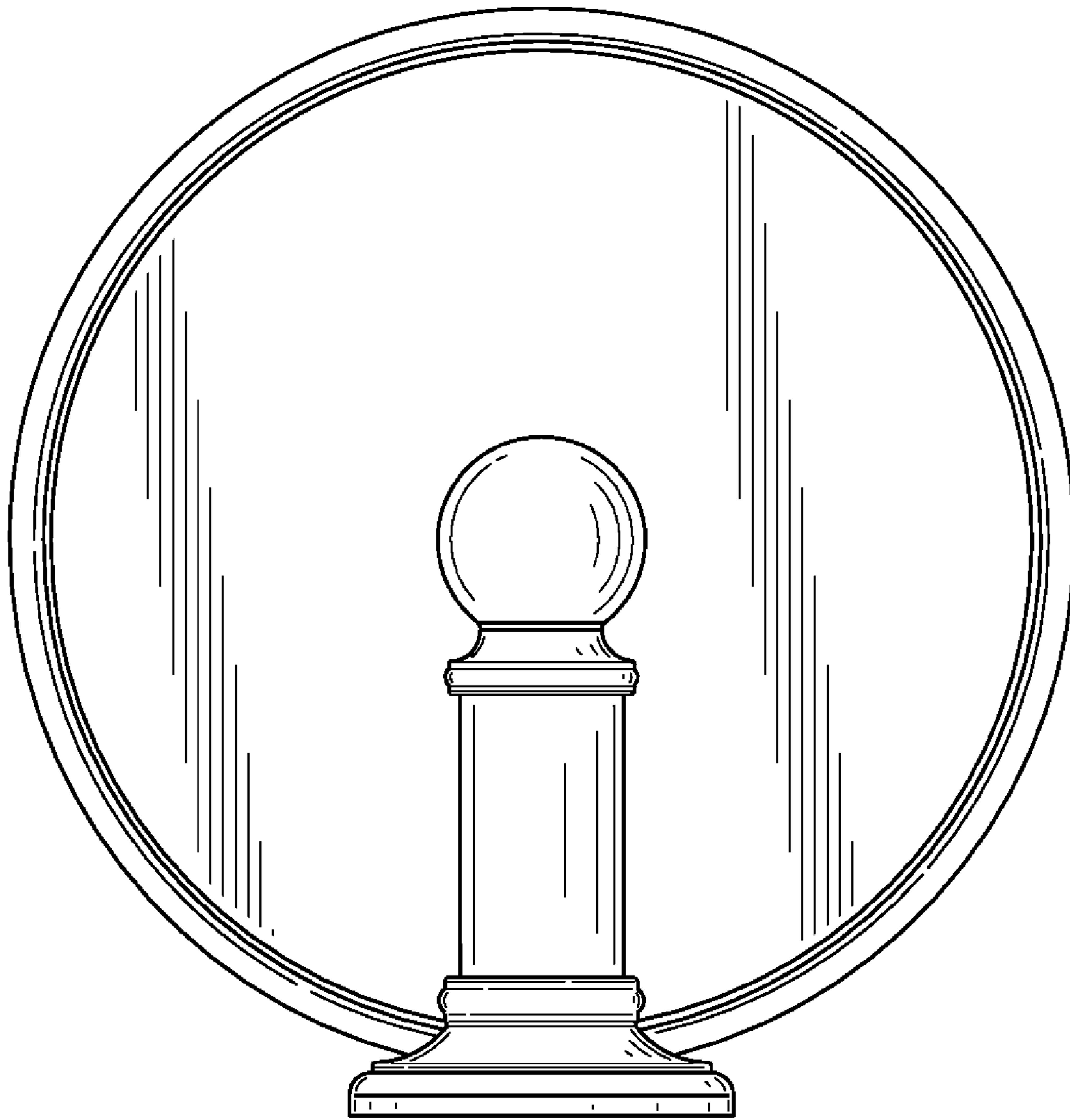


FIG. 3

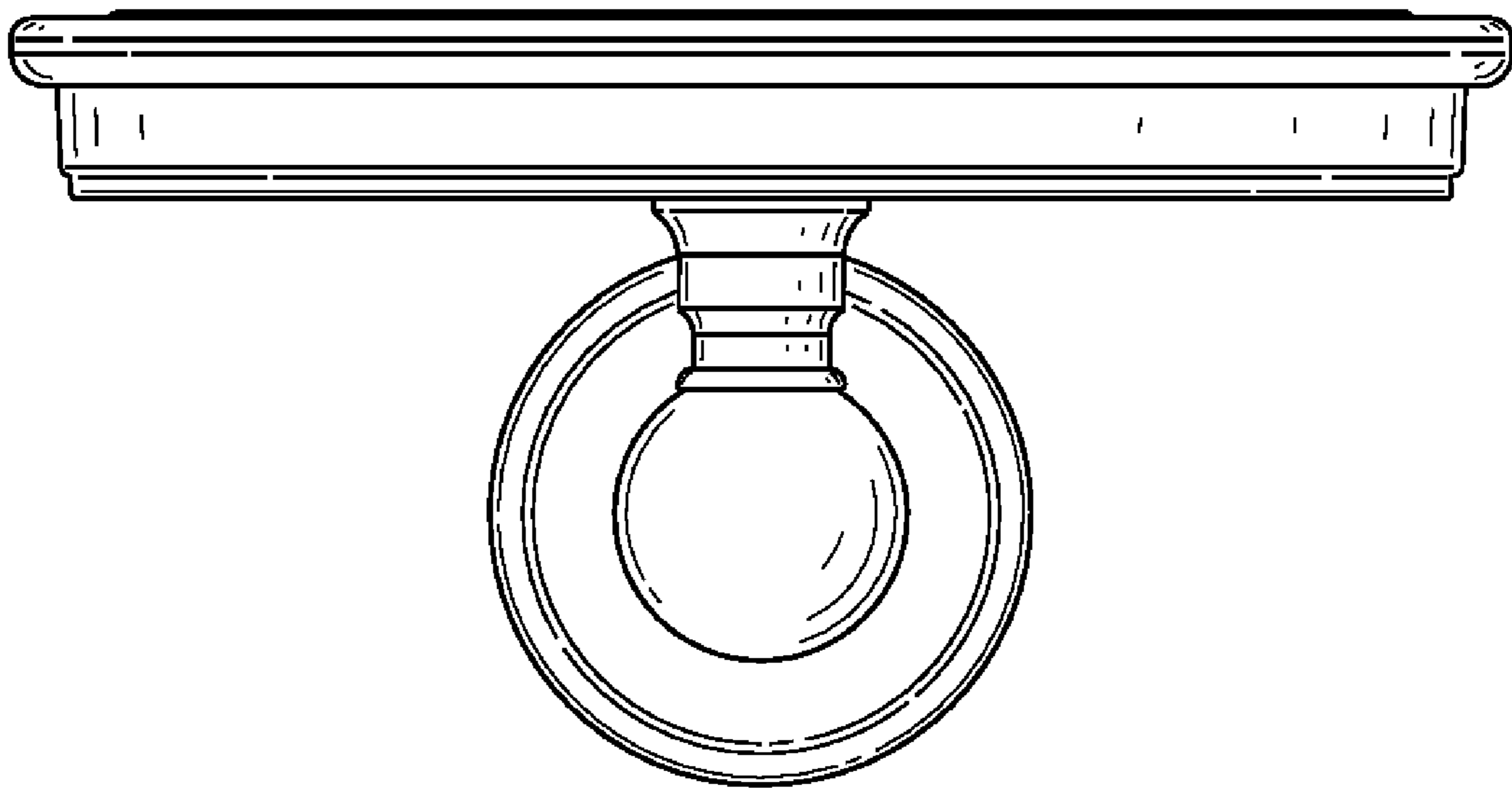


FIG. 4

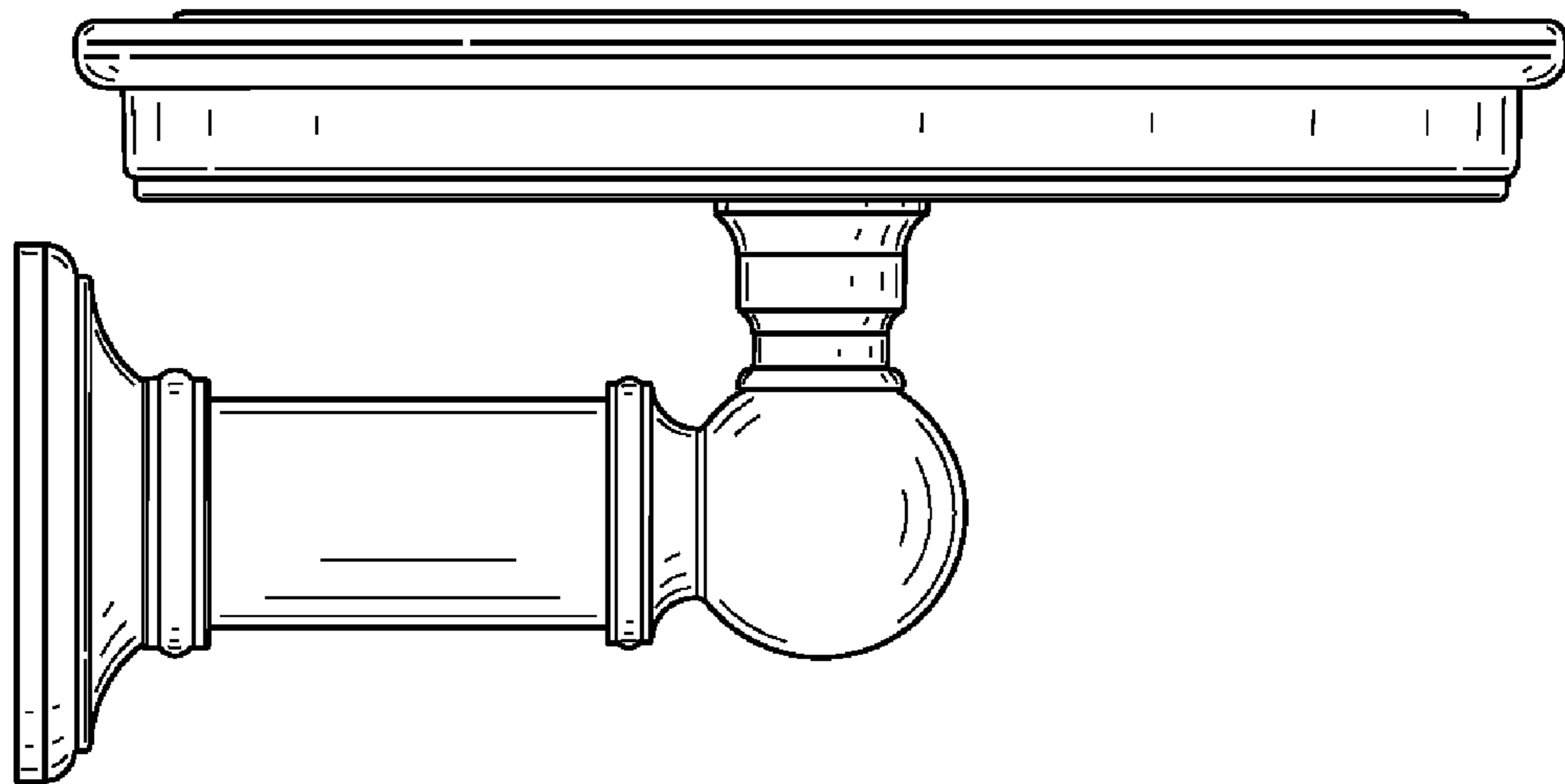


FIG. 5

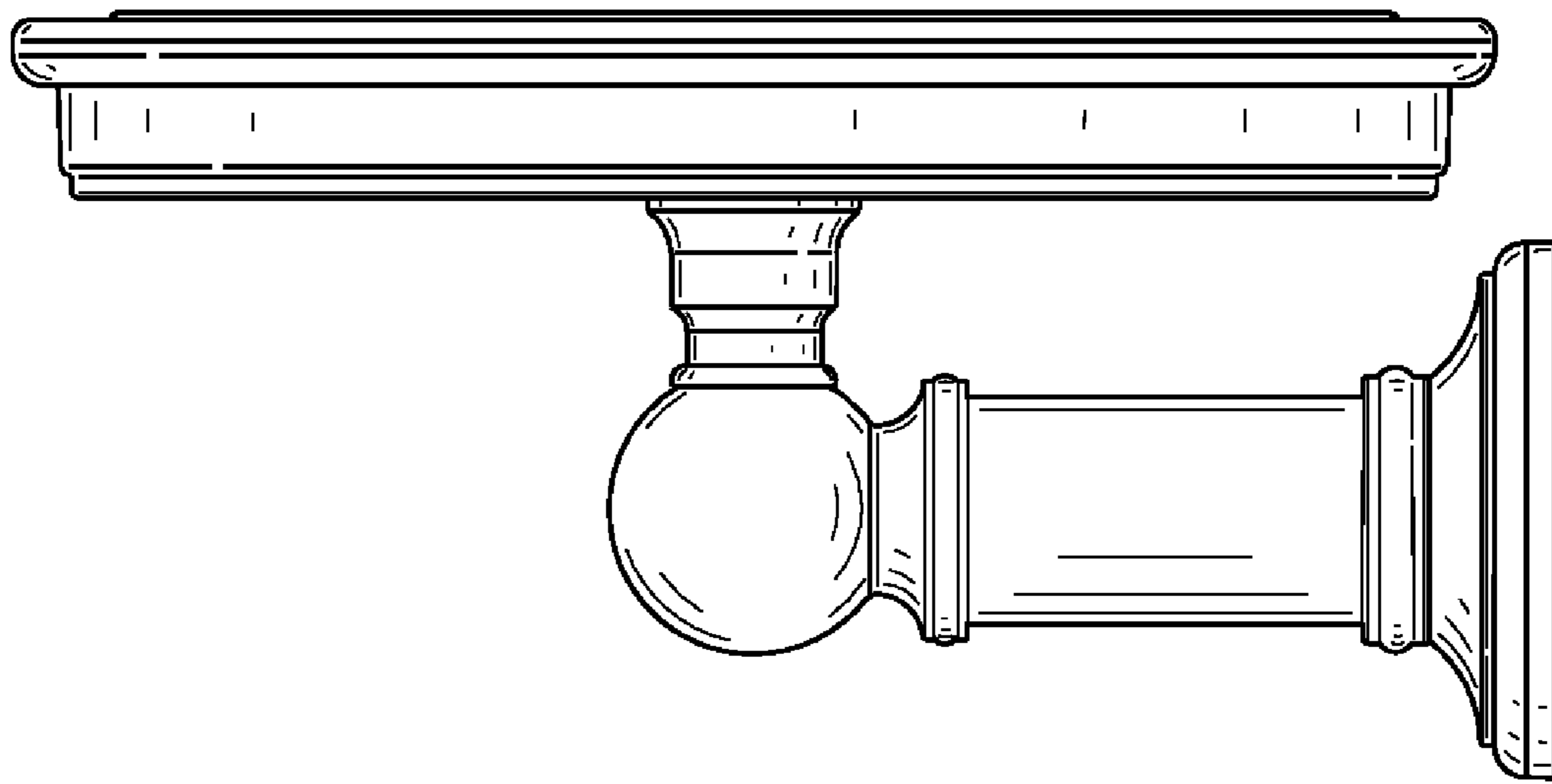


FIG. 6