

US00D574169S

(12) **United States Design Patent**
Thompson

(10) **Patent No.:** **US D574,169 S**

(45) **Date of Patent:** **** Aug. 5, 2008**

(54) **FURNITURE COMPONENT**

(75) **Inventor:** **David W. Thompson**, New Albany, OH
(US)

(73) **Assignee:** **American Signature, Inc.**, Columbus,
OH (US)

(**) **Term:** **14 Years**

(21) **Appl. No.:** **29/259,066**

(22) **Filed:** **May 2, 2006**

(51) **LOC (8) Cl.** **06-06**

(52) **U.S. Cl.** **D6/509**

(58) **Field of Classification Search** D6/432-448,
D6/491, 492, 470-472; 312/114, 138.1,
312/207, 224, 227, 237, 278, 279
See application file for complete search history.

(56) **References Cited**

U.S. PATENT DOCUMENTS

1,286,745	A *	12/1918	Otte	16/417
D158,337	S *	4/1950	Stone	D6/442
D204,685	S *	5/1966	Davis	D8/341
D212,379	S *	10/1968	Dudas et al.	D7/393
D217,621	S *	5/1970	Bouffard	D6/435
D221,052	S *	7/1971	McCain et al.	D8/310
D224,197	S *	7/1972	Peters	D6/446
D227,723	S *	7/1973	Mendlin	D6/445
D238,131	S *	12/1975	Mendlin	D6/445
D238,241	S *	12/1975	Ziskin	D7/393
D238,572	S *	1/1976	Wheeler	D6/445
D239,425	S *	4/1976	Mendlin	D6/445
D241,210	S *	8/1976	Eisen	D6/446
D248,445	S *	7/1978	Palm, Jr.	D8/310
D264,530	S *	5/1982	Aulbert et al.	D6/446
D264,655	S *	6/1982	Keller	D6/448
D275,435	S *	9/1984	Adkinson	D6/434
D333,392	S *	2/1993	Cugley	D6/446

D340,153	S *	10/1993	Keller	D6/434
5,255,413	A *	10/1993	Sabo	16/417
D349,616	S *	8/1994	Keller	D6/440
D353,282	S *	12/1994	Keller	D6/434
D357,851	S *	5/1995	Off	D8/310
D368,638	S *	4/1996	Sonnenleiter	D8/310
5,657,652	A *	8/1997	Martin	70/85
D429,455	S *	8/2000	Burns et al.	D8/310
D452,413	S *	12/2001	Rae	D7/393
D461,652	S *	8/2002	Stanton	D6/439

* cited by examiner

Primary Examiner—Mimosa De

(74) *Attorney, Agent, or Firm*—Wood, Herron & Evans,
L.L.P.

(57) **CLAIM**

The ornamental design for a furniture component, as shown and described.

DESCRIPTION

The file of this patent contains two photographs executed in color. Copies of this patent with the color photographs will be provided by the Office upon request and payment of the necessary fee.

FIG. 1 is a front elevational view of a furniture component showing my new design.

FIG. 2 is an enlarged front elevational view thereof; and,

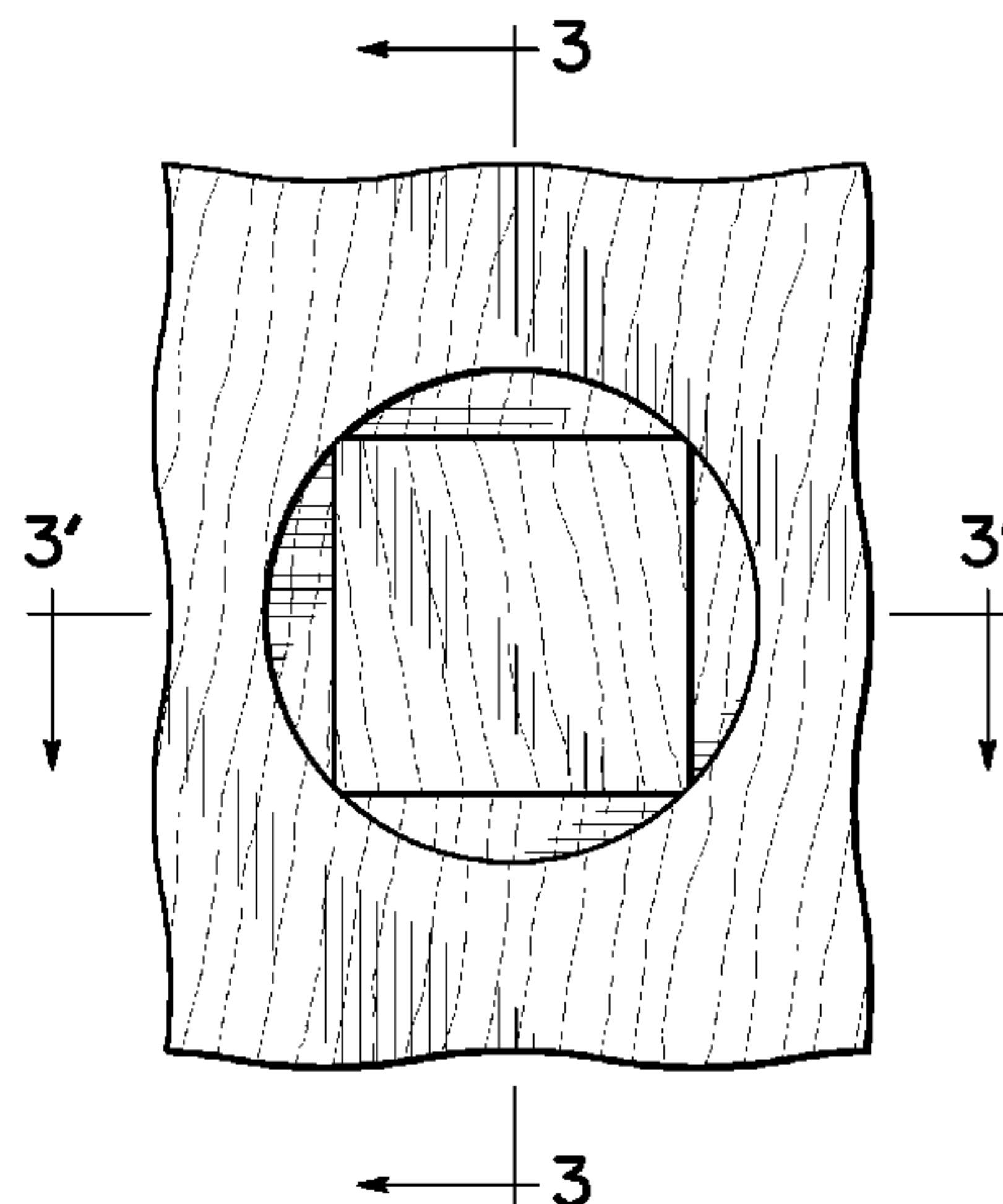
FIG. 3 is a vertical cross-sectional view taken along line 3—3 of FIG. 2, depicting surface configuration thereof.

A horizontal cross-sectional view thereof along line 3—3 of FIG. 2 is identical to FIG. 3.

The rear thereof forms no part of the claimed design.

The broken lines shown in FIG. 1 depict the environment of the design and form no part of my claimed design.

1 Claim, 2 Drawing Sheets



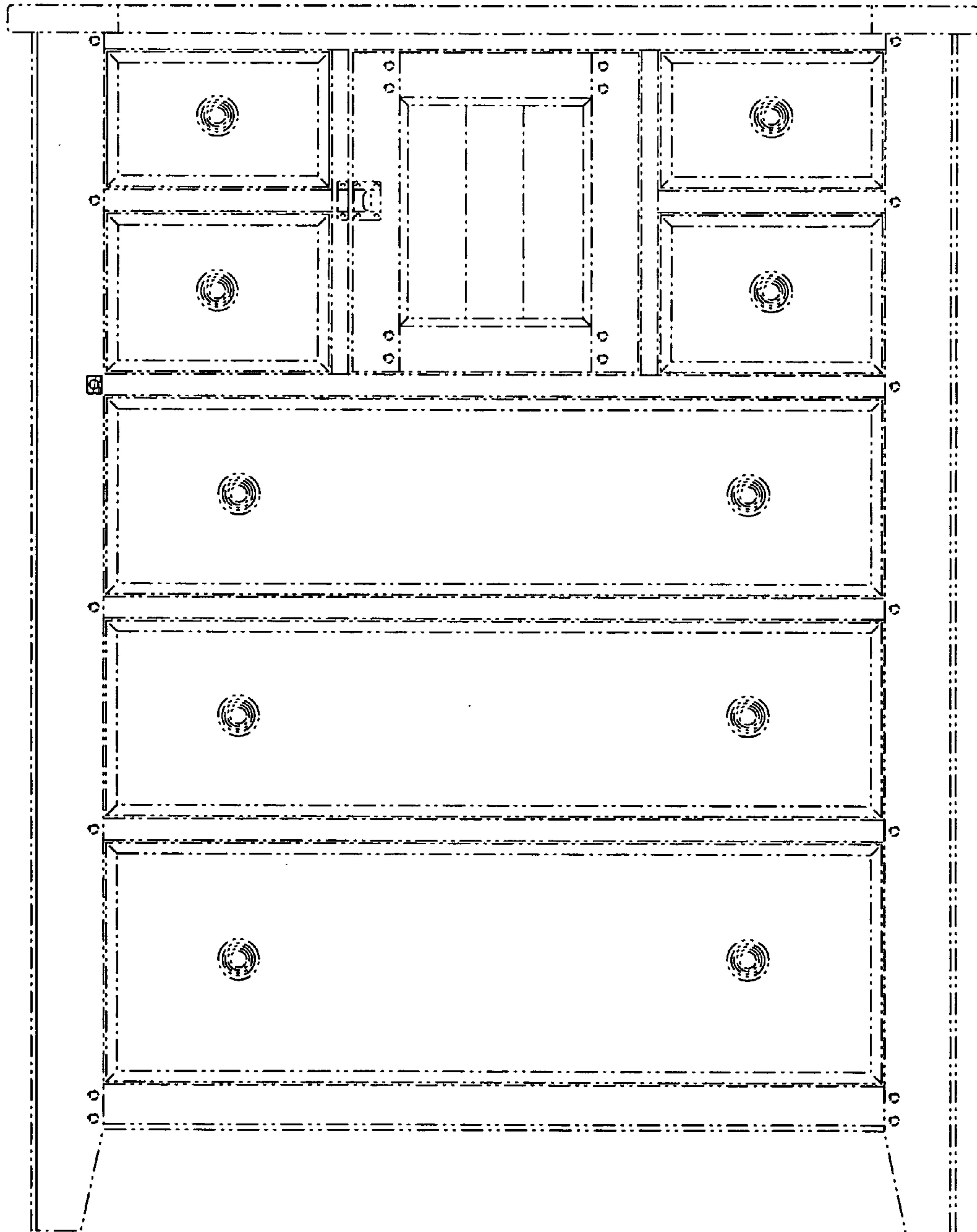


FIG. 1

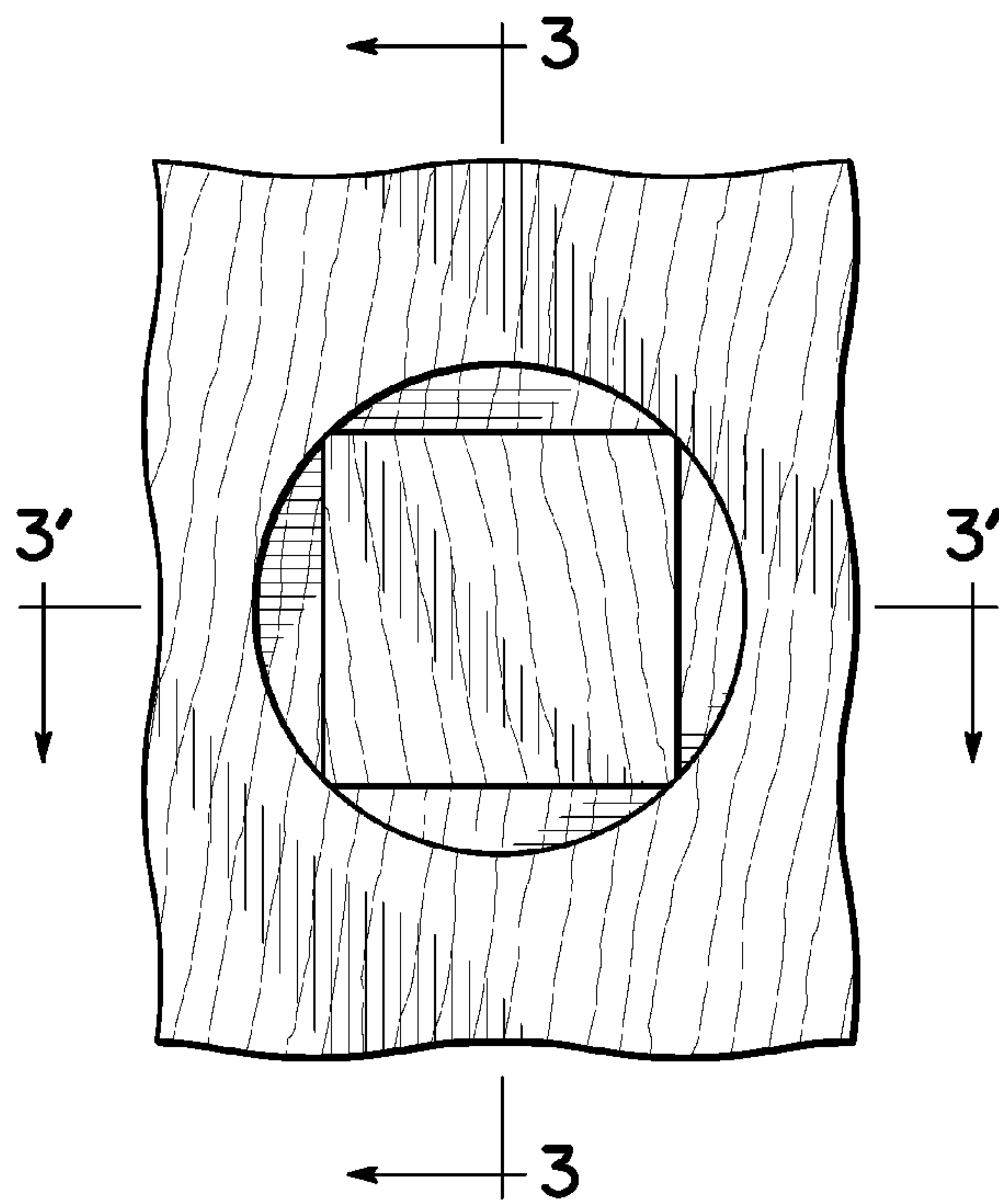


FIG. 2

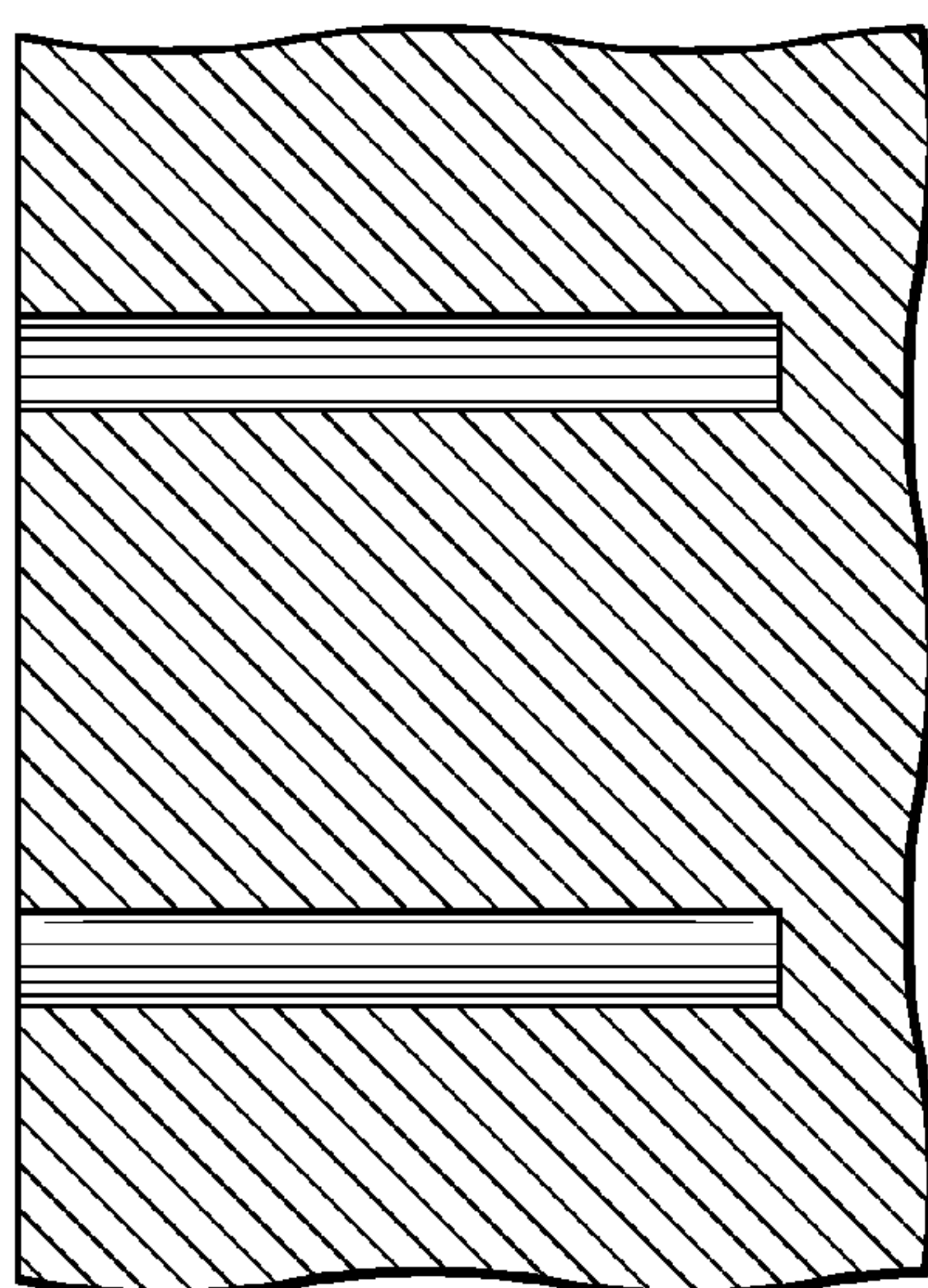


FIG. 3