



US00D574167S

(12) **United States Design Patent**
Hodge

(10) **Patent No.:** **US D574,167 S**

(45) **Date of Patent:** **** Aug. 5, 2008**

(54) **ALARM STAND DESIGN**

(76) **Inventor:** **Larry M. Hodge**, 1215 Eastgate, Toledo, OH (US) 43615

(**) **Term:** **14 Years**

(21) **Appl. No.:** **29/268,372**

(22) **Filed:** **Nov. 6, 2006**

(51) **LOC (8) Cl.** **06-07**

(52) **U.S. Cl.** **D6/462**

(58) **Field of Classification Search** D6/462,
D6/310, 313, 469, 466, 457, 467, 449, 524,
D6/534, 526, 417, 511, 499, 406.2, 329, 486,
D6/419; 211/74, 66, 70, 463, 77, 78, 71.01,
211/133.1, 13.1, 85.13, 601, 85.4, 181.1,
211/70.5, 119, 106, 126.9, 134, 126.1, 88.01,
211/87.01, 86.01, 189; D19/85; D14/224;
D23/304

See application file for complete search history.

(56) **References Cited**

U.S. PATENT DOCUMENTS

D122,925 S *	10/1940	Holden et al.	D6/406.2
D314,878 S *	2/1991	Hart	D6/486
D324,462 S *	3/1992	Karnaze	D6/419
D349,332 S *	8/1994	Albritton	D23/304

D446,948 S *	8/2001	Sciandra	D6/329
D468,558 S *	1/2003	Sciandra	D6/462
D492,136 S *	6/2004	Sciandra	D6/462
D493,044 S *	7/2004	Sciandra	D6/462
D523,260 S *	6/2006	Sciandra	D6/462
D548,496 S *	8/2007	Samtani	D6/486

* cited by examiner

Primary Examiner—Caron D. Veynar
Assistant Examiner—Sydney R Buffalow
(74) *Attorney, Agent, or Firm*—Donald K. Wedding

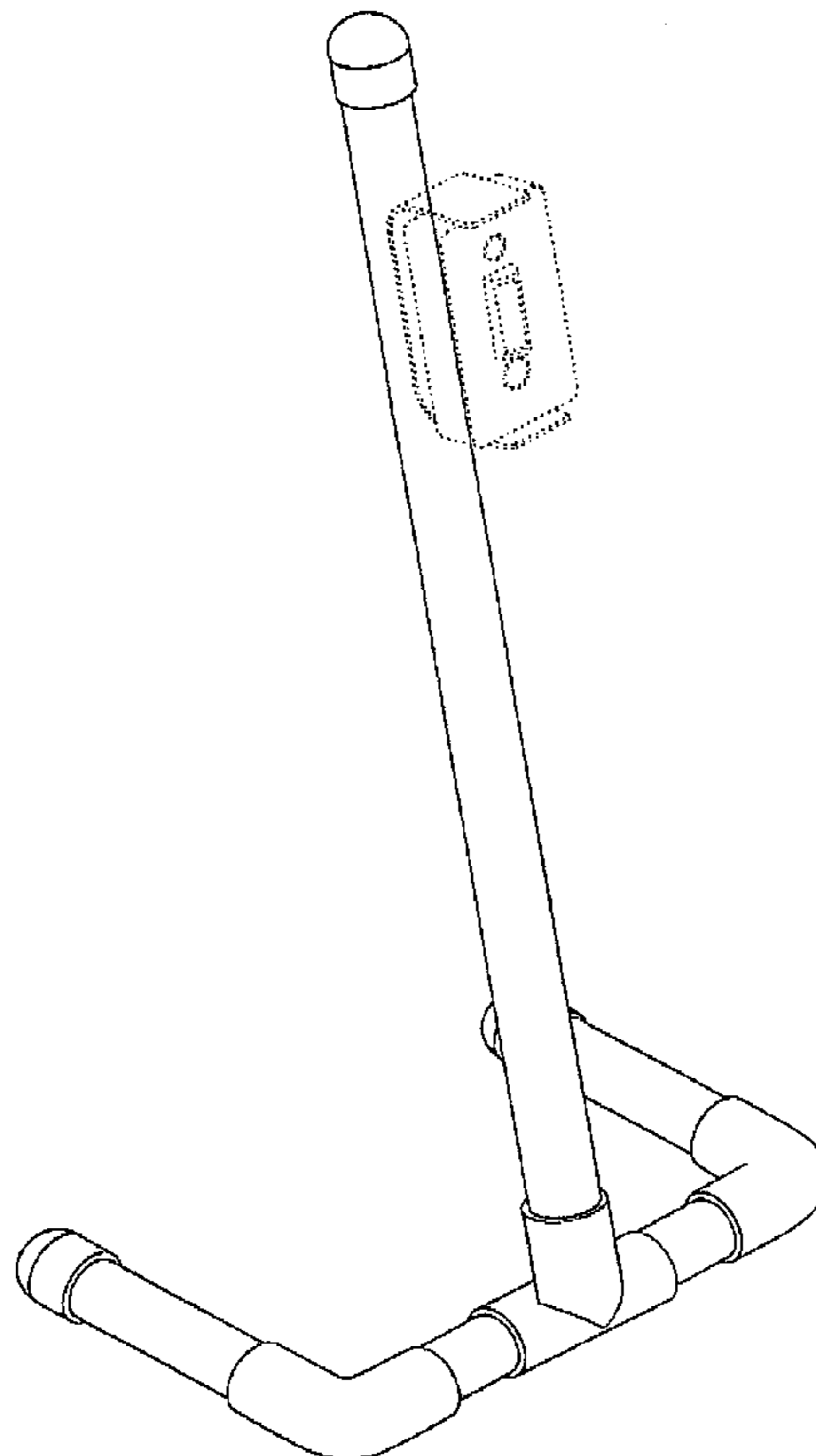
(57) **CLAIM**

The ornamental design for an alarm stand design, as shown and described.

DESCRIPTION

FIG. 1 is an isometric view of my new design;
FIG. 2 is a front view of my design shown in FIG. 1.
FIG. 3 is a back view of my design shown in FIG. 1.
FIG. 4 is a left side view of my design shown in FIG. 1.
FIG. 5 right side view of my design shown in FIG. 1; and,
FIG. 6 is a top view of my design shown in FIG. 1.
The dotted lines in the drawings represent environmental structure only and form no part of the claimed design.

1 Claim, 6 Drawing Sheets



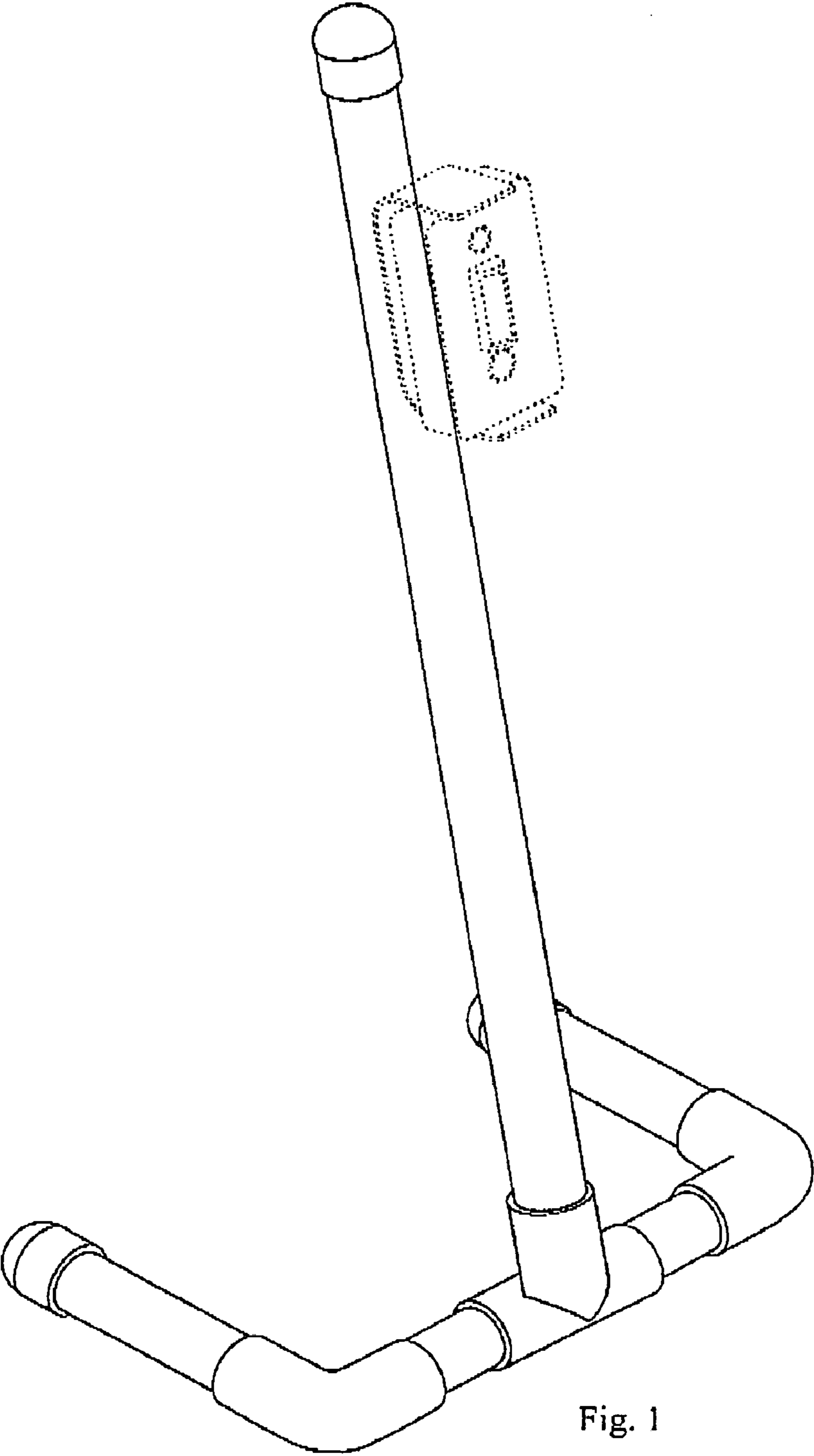


Fig. 1

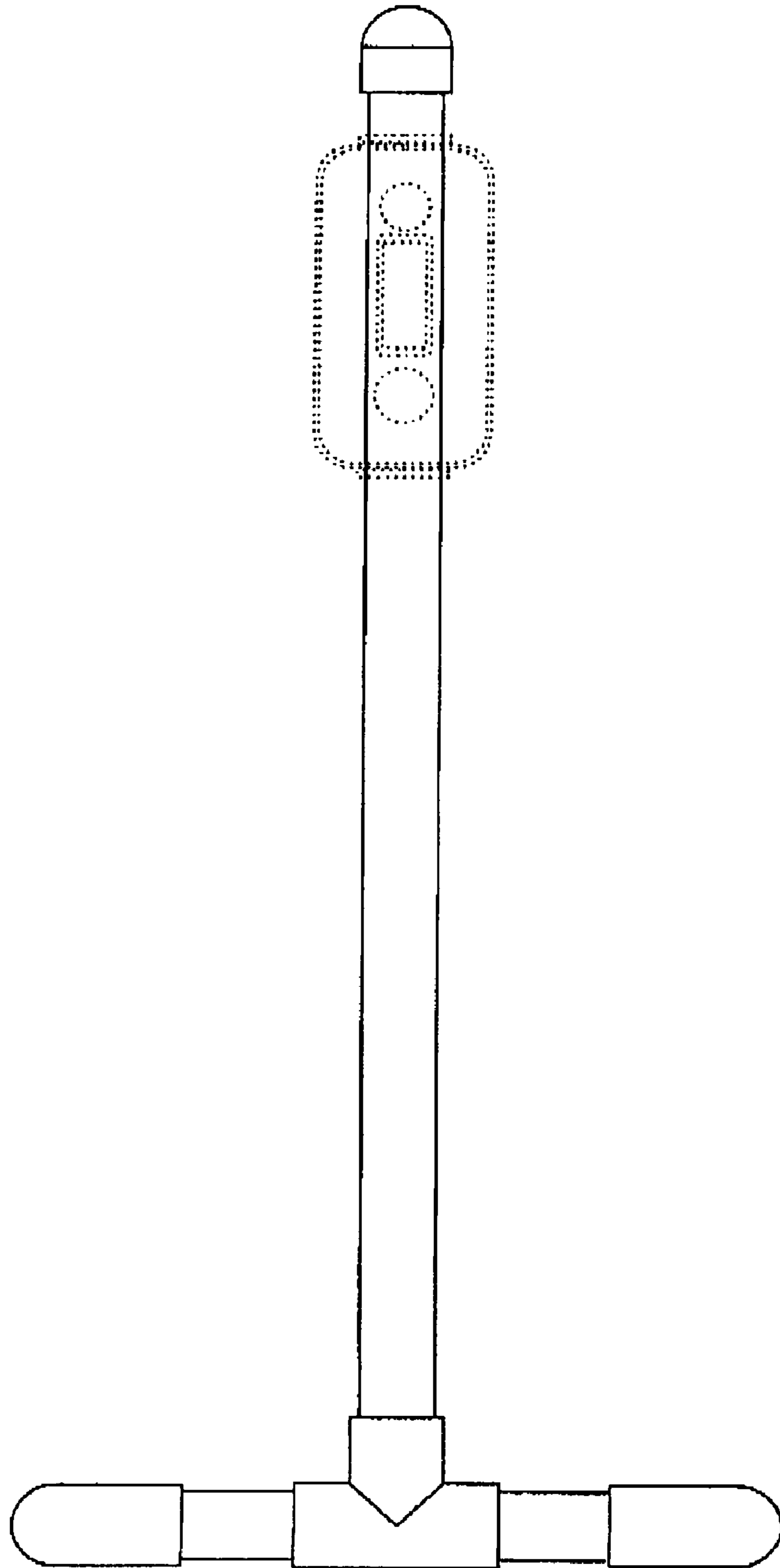


Fig. 2

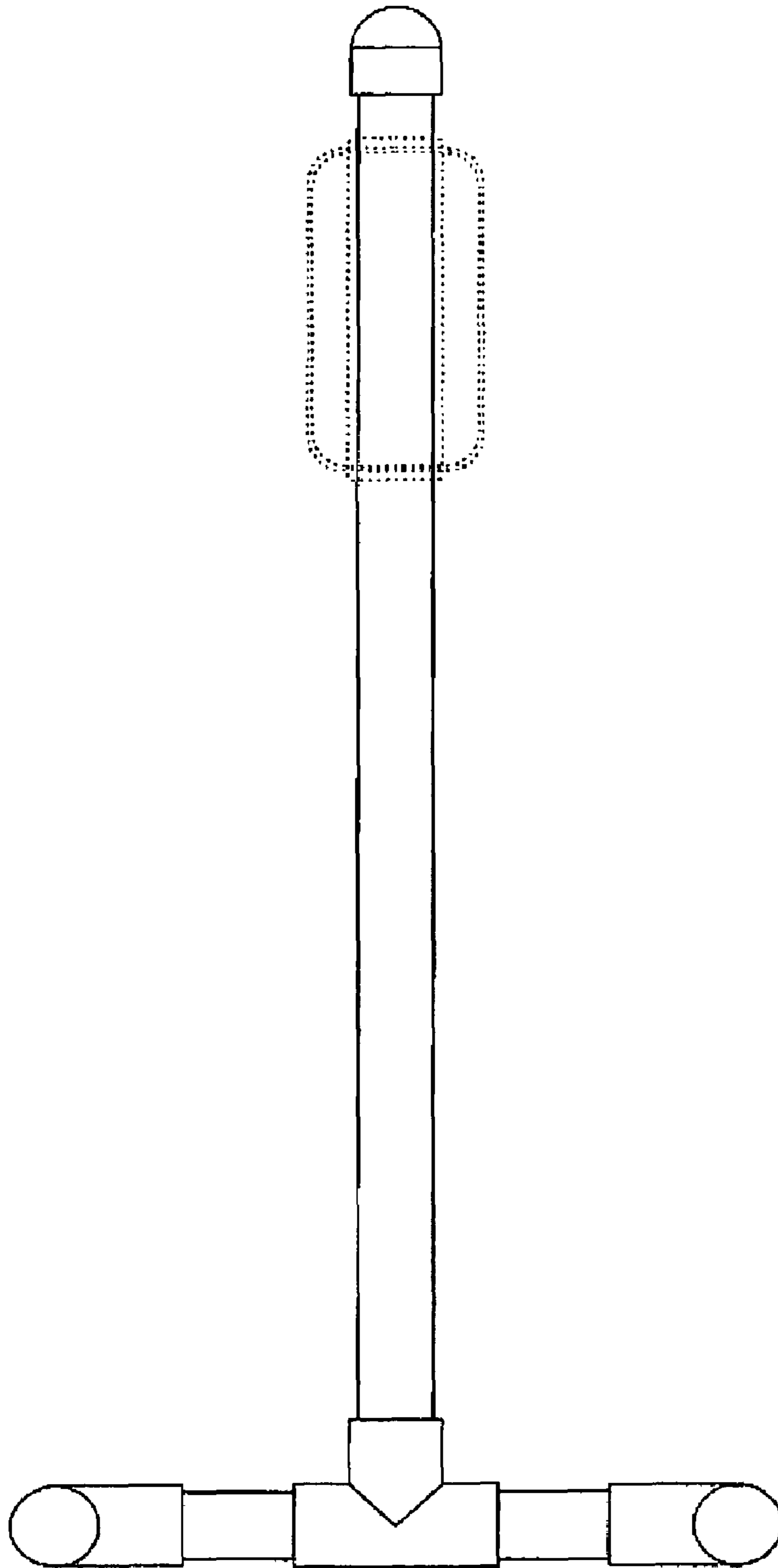


Fig. 3

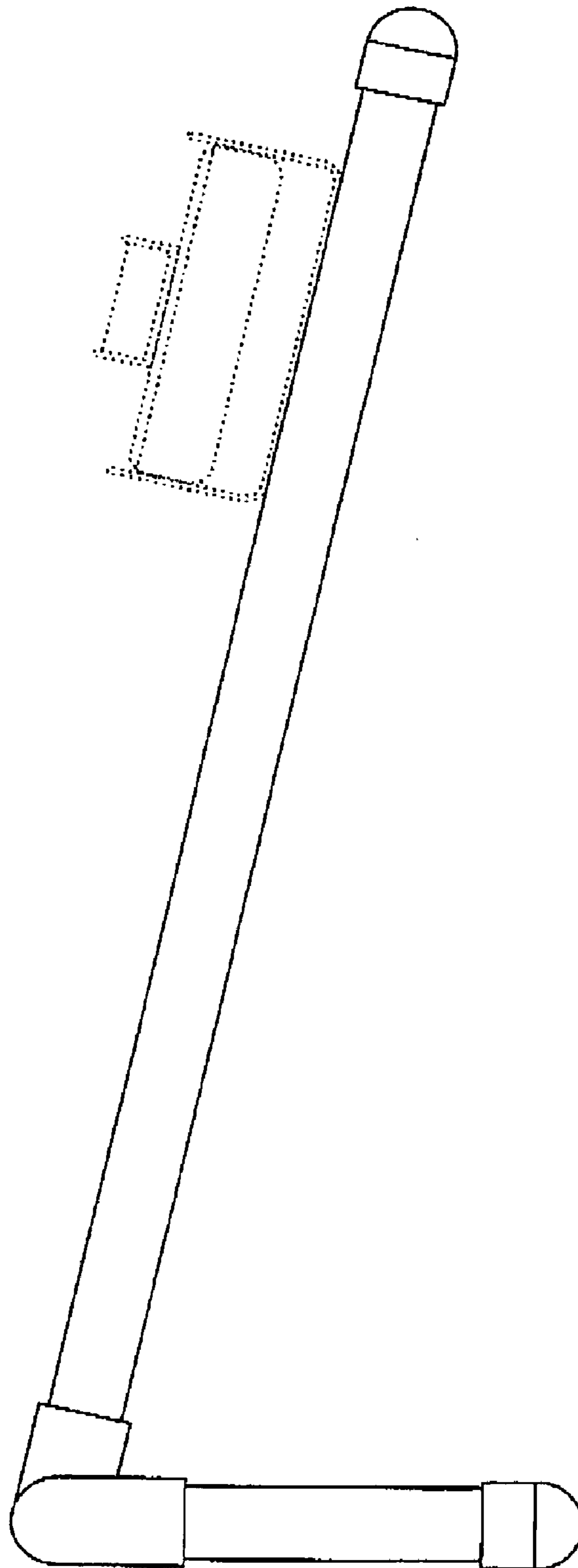


Fig. 4

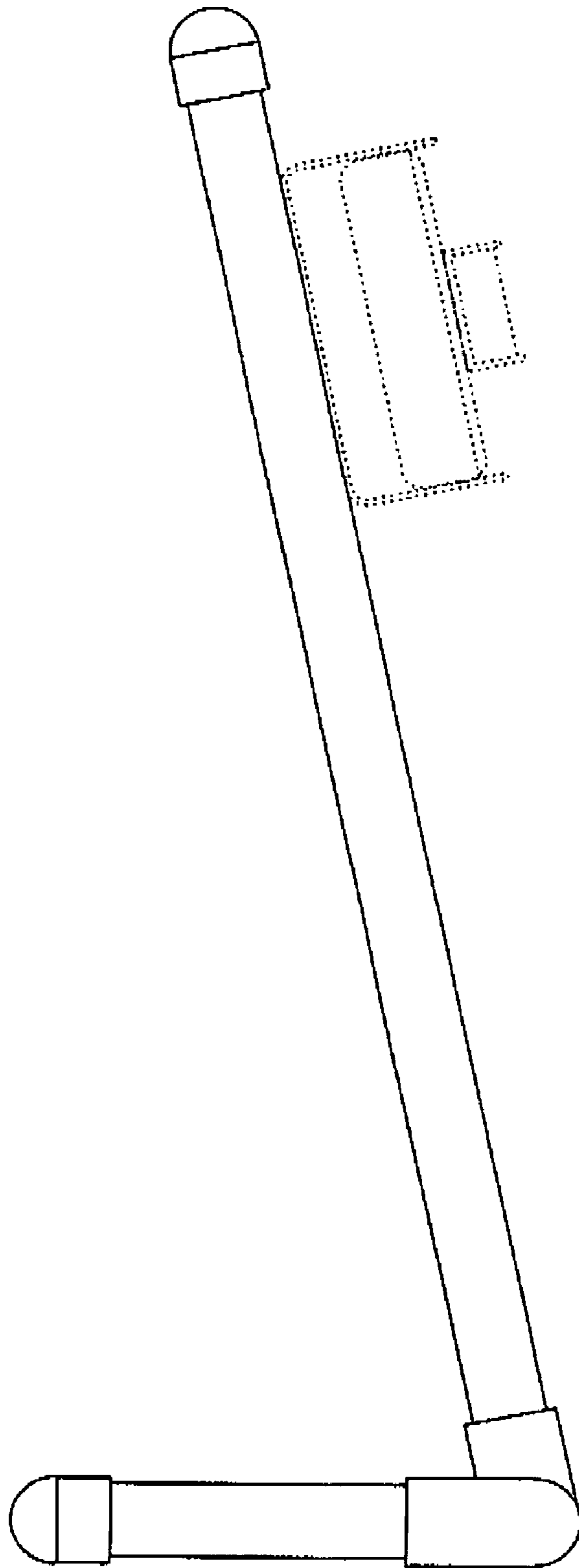


Fig. 5

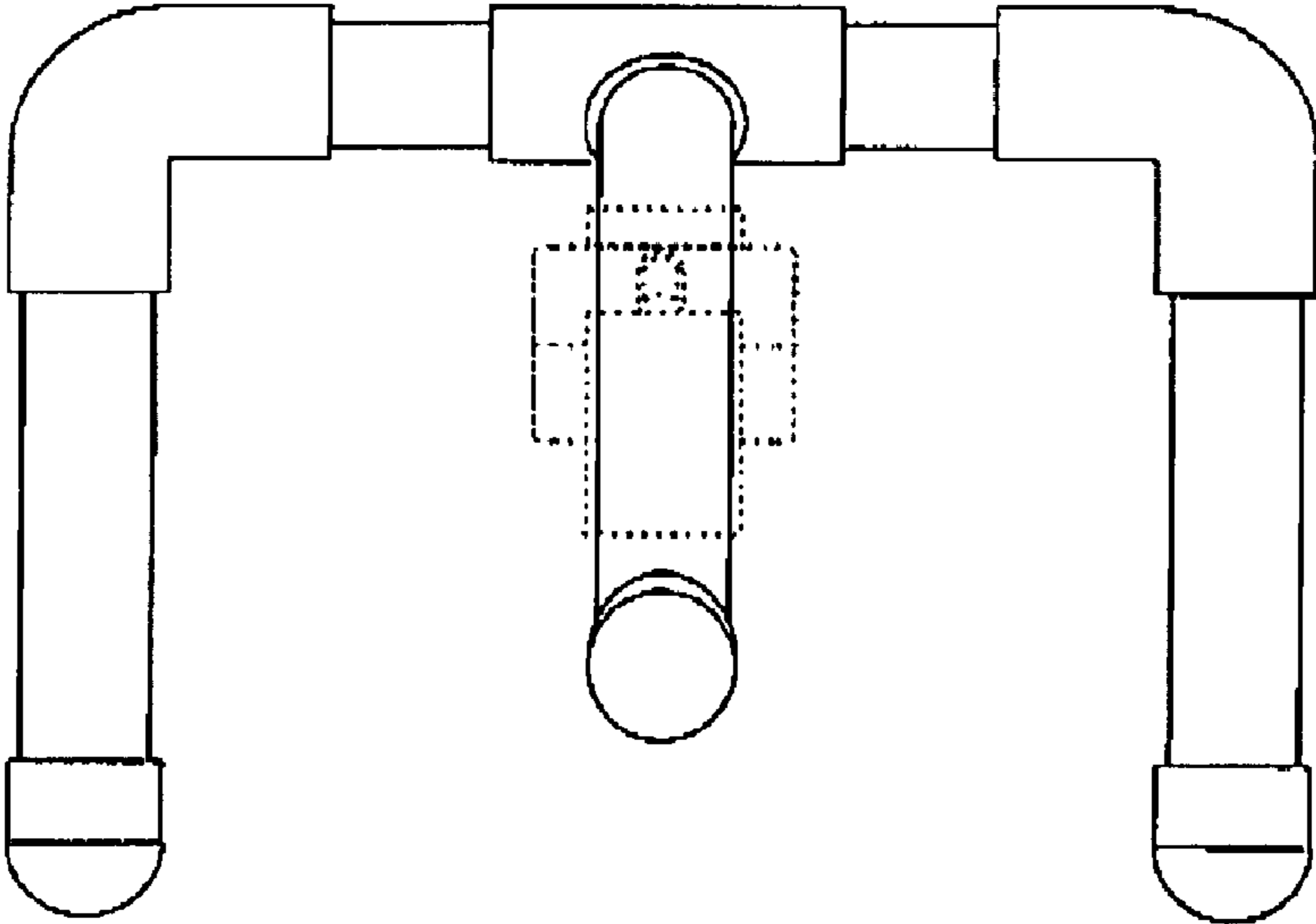


Fig. 6