



US00D574166S

(12) **United States Design Patent**
Kaisler

(10) **Patent No.:** **US D574,166 S**

(45) **Date of Patent:** **** Aug. 5, 2008**

(54) **FOOD TRAY SUPPORT**

(76) **Inventor:** **Trinh M. Kaisler**, 2264 Lion's Gate,
Vista, CA (US) 92084

(**) **Term:** **14 Years**

(21) **Appl. No.:** **29/285,073**

(22) **Filed:** **Mar. 21, 2007**

Related U.S. Application Data

(63) Continuation-in-part of application No. 11/520,278,
filed on Sep. 12, 2006.

(51) **LOC (8) Cl.** **06-04**

(52) **U.S. Cl.** **D6/458**

(58) **Field of Classification Search** D6/403,
D6/449, 460-469, 455-459, 487, 499, 474,
D6/509; D9/455; 220/737, 743; D11/143,
D11/144; 215/395; 47/39; D34/6, 17, 12;
248/146, 153, 175, 121, 127; 211/13.1, 85.4,
211/85.8, 133.5, 182, 181.1, 49.1, 60.1, 51,
211/88.01, 131.1; 108/59, 92

See application file for complete search history.

(56) **References Cited**

U.S. PATENT DOCUMENTS

- 554,661 A * 2/1896 Dolittle 108/105
- D177,749 S * 5/1956 Oliver D6/405
- D244,971 S * 7/1977 Naumoff et al. D6/405
- D250,372 S * 11/1978 Szabo et al. D6/455
- D282,701 S * 2/1986 Tomlin D7/701
- 5,178,286 A * 1/1993 Allison, III 211/85.23
- D345,871 S * 4/1994 Anderson D6/405
- 5,598,662 A * 2/1997 Droste 47/39
- D403,533 S * 1/1999 Paul D6/458

- D482,212 S * 11/2003 Nakaoka D6/464
- D483,579 S * 12/2003 Frankelton D6/462
- D487,652 S * 3/2004 Reimonenq D6/474

* cited by examiner

Primary Examiner—Caron D. Veynar

Assistant Examiner—Abraham Bahta

(74) *Attorney, Agent, or Firm*—Charmasson, Buchaca &
Leach, LLP

(57) **CLAIM**

The ornamental design for a food tray support, as shown and
described.

DESCRIPTION

FIG. 1 is a top, front perspective view of a food tray support
showing a first embodiment of my new design;

FIG. 2 is a bottom, back perspective view thereof;

FIG. 3 is a front elevational view thereof;

FIG. 4 is a back elevational view thereof;

FIG. 5 is a top plan view thereof; and,

FIG. 6 is a bottom plan view thereof.

FIG. 7 is a top, front perspective view of a food tray support
showing a second embodiment of my new design;

FIG. 8 is a bottom, back perspective view thereof;

FIG. 9 is a front elevational view thereof;

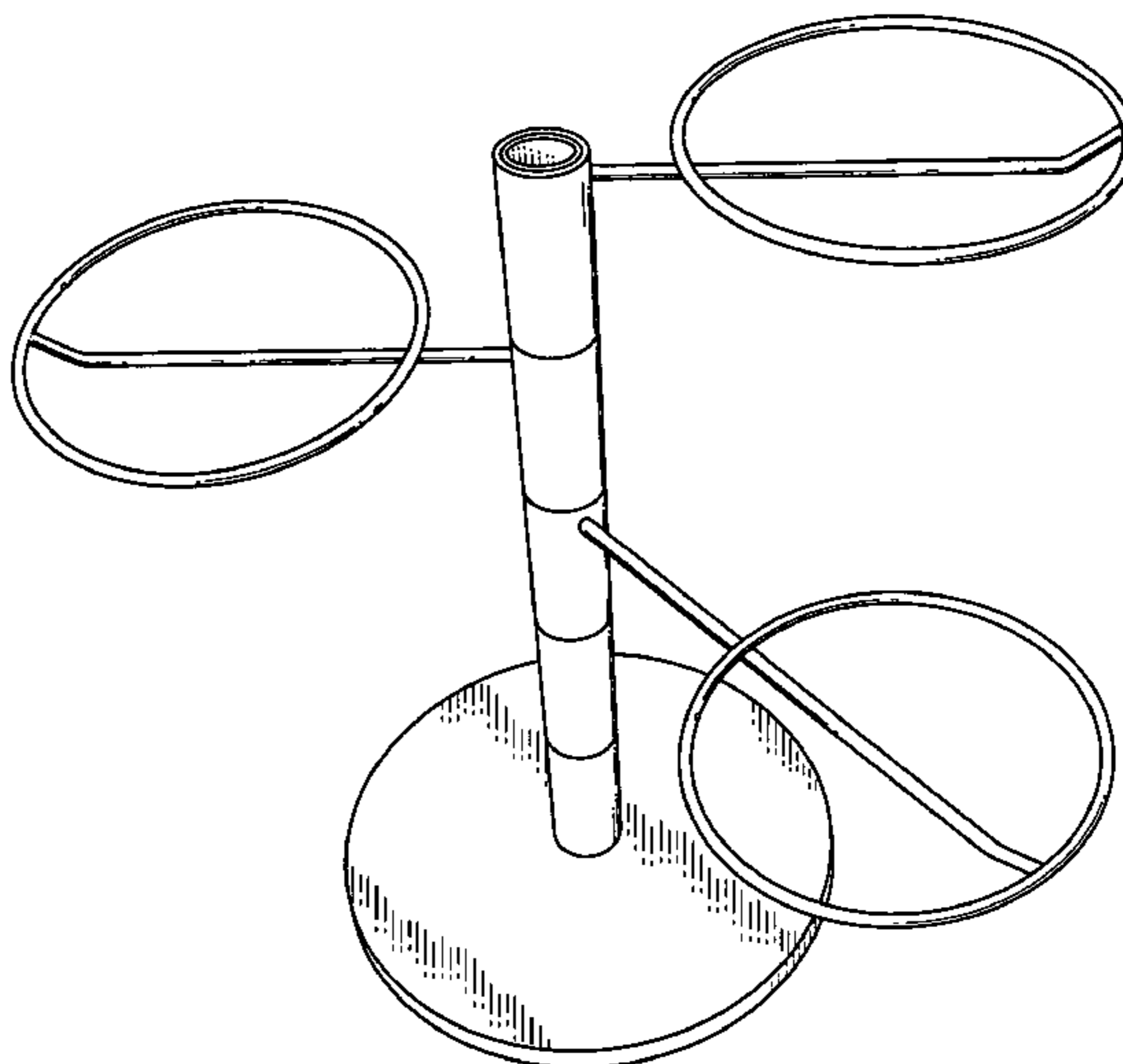
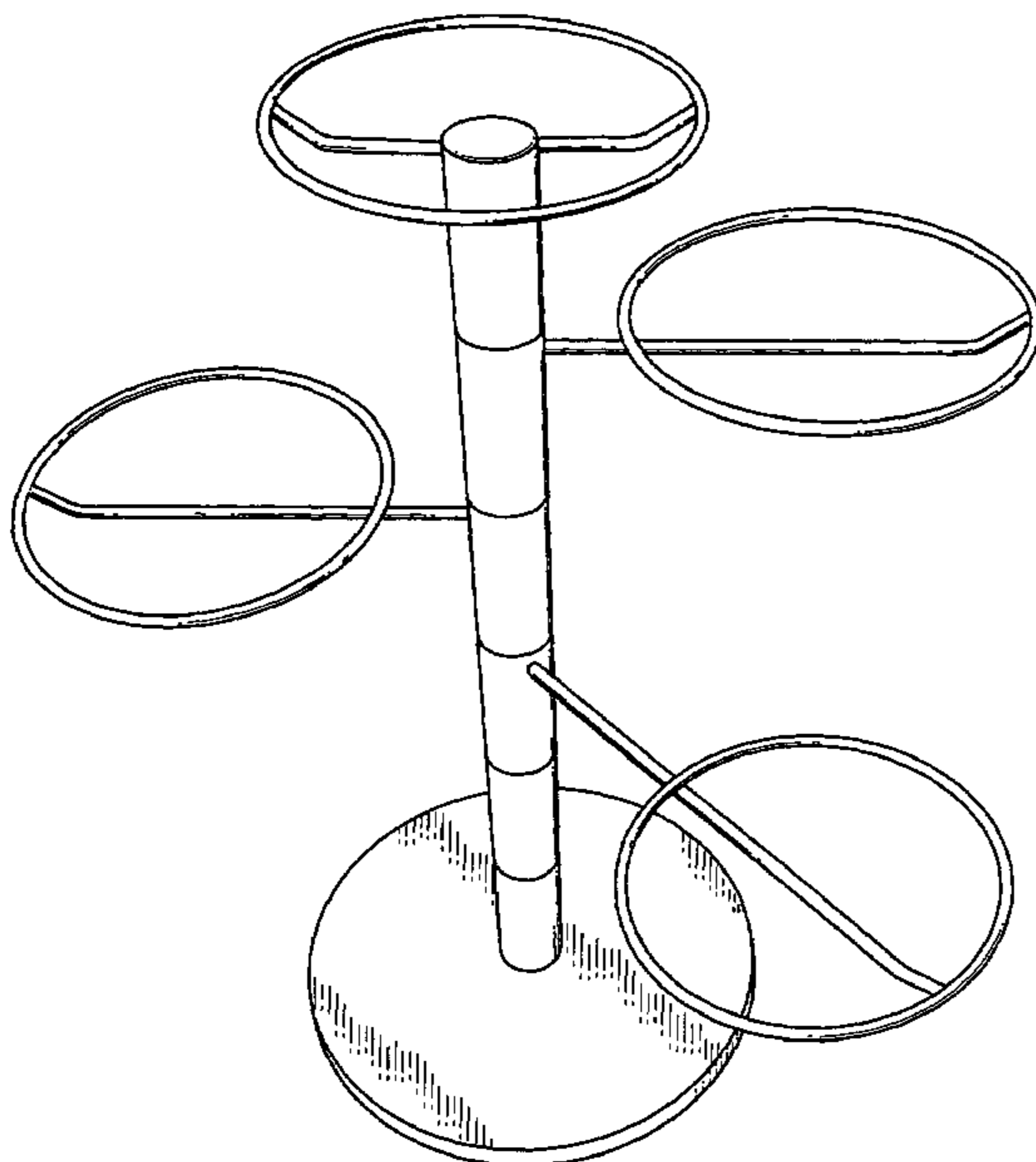
FIG. 10 is a back elevational view thereof;

FIG. 11 is a top plan view thereof; and,

FIG. 12 is a bottom plan view thereof.

The broken lines shown in FIG. 2 are for illustrative purposes
only and form no part of the claimed design.

1 Claim, 9 Drawing Sheets



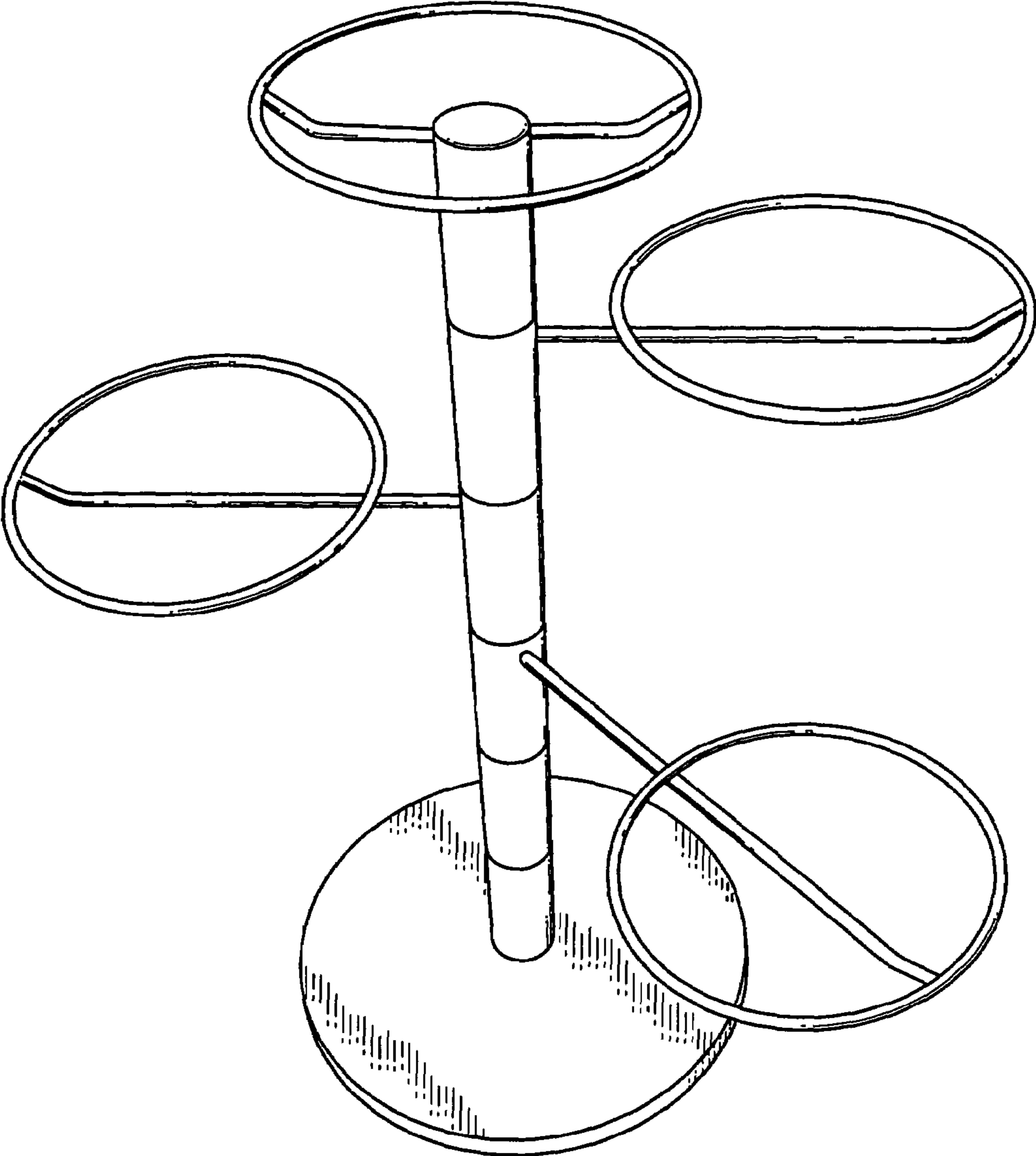


FIG. 1

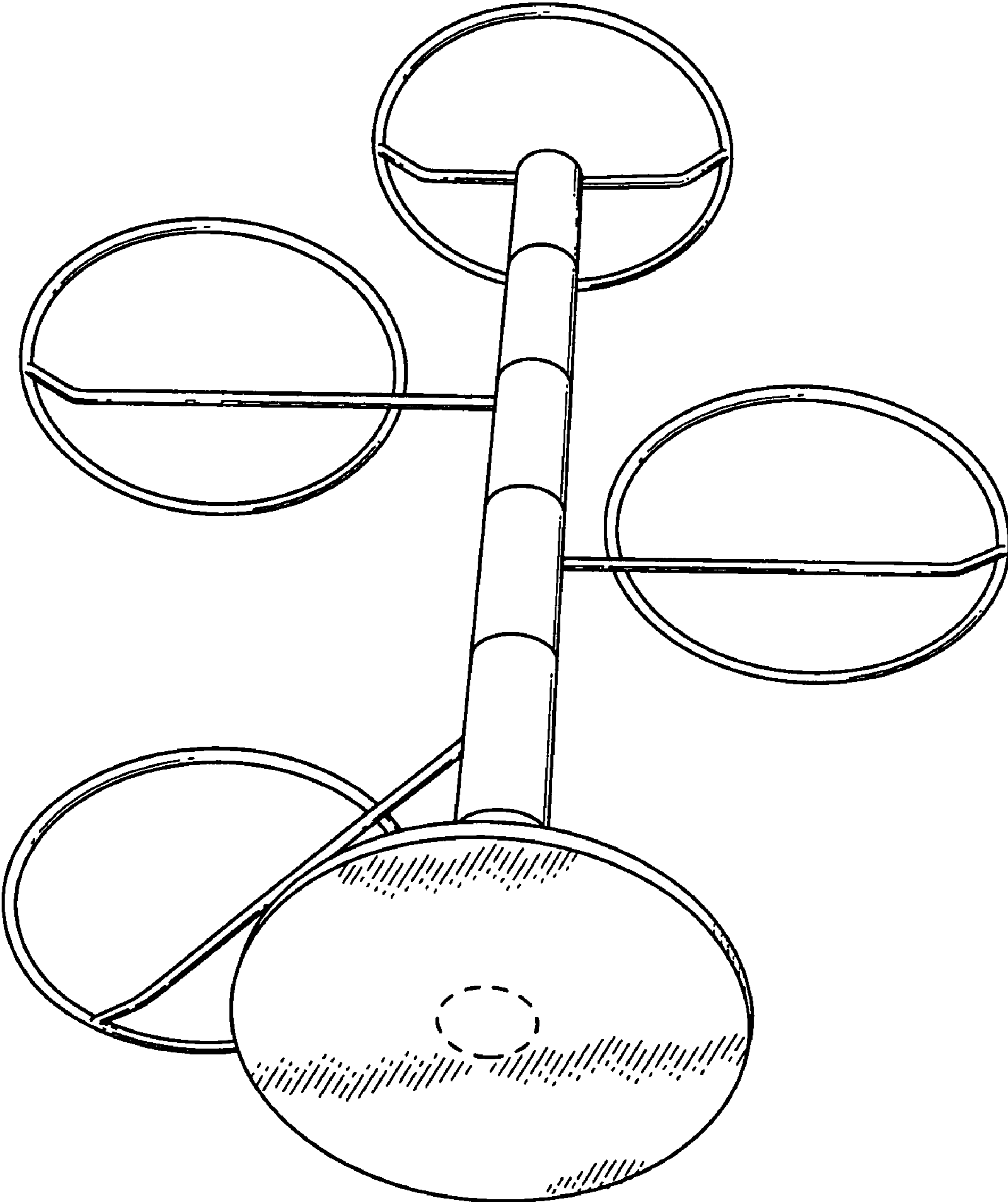


FIG. 2

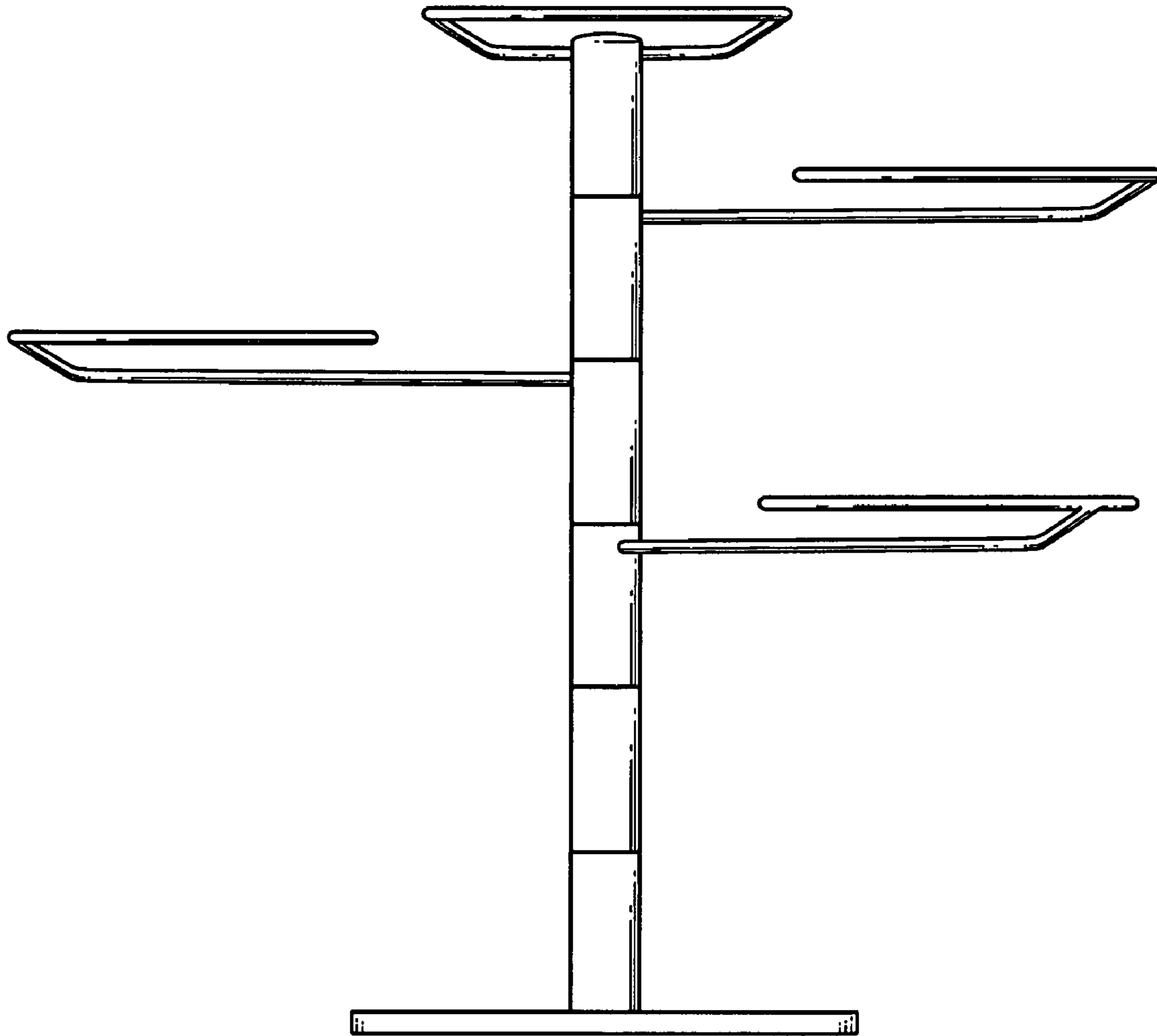


FIG. 3

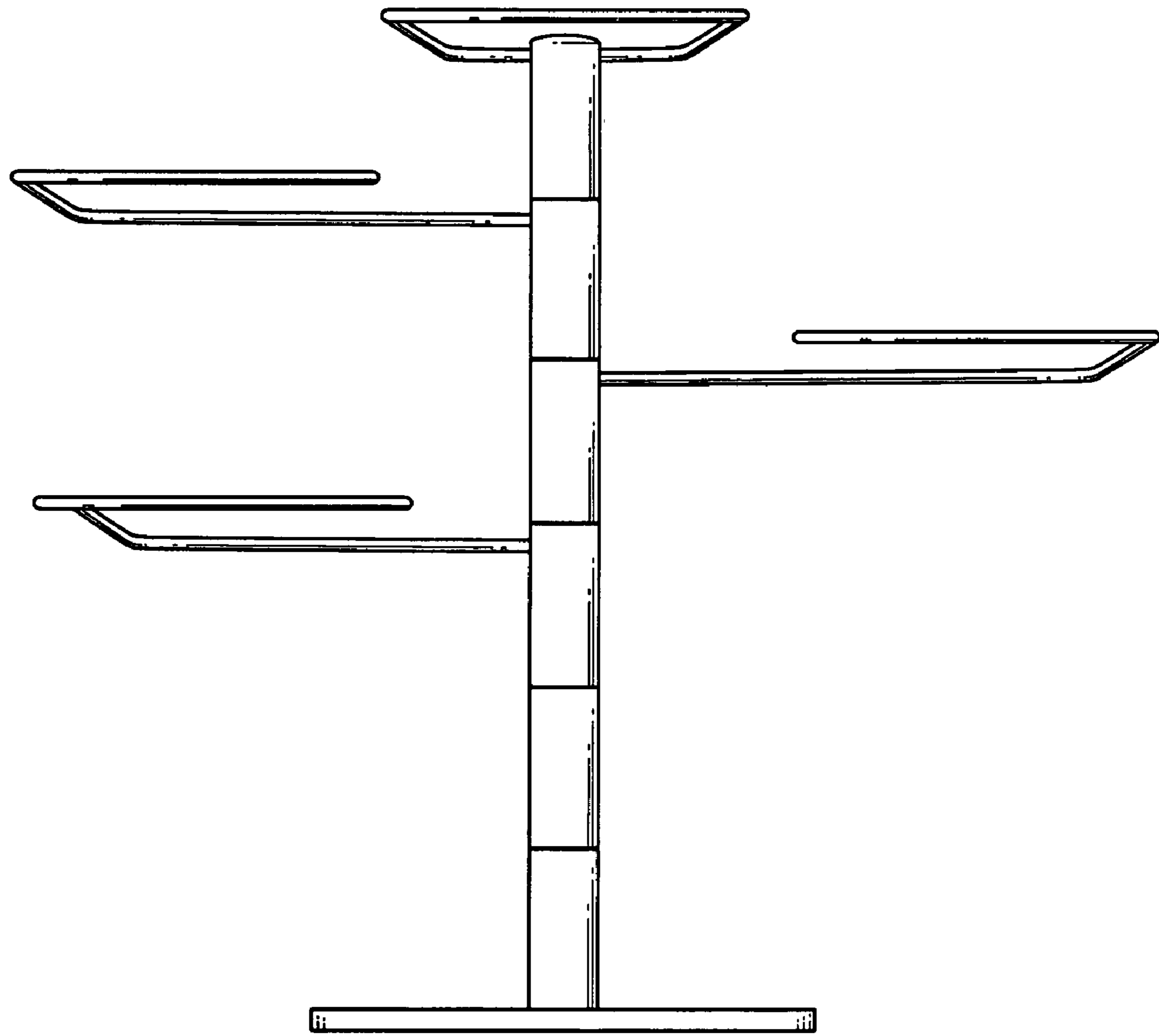


FIG. 4

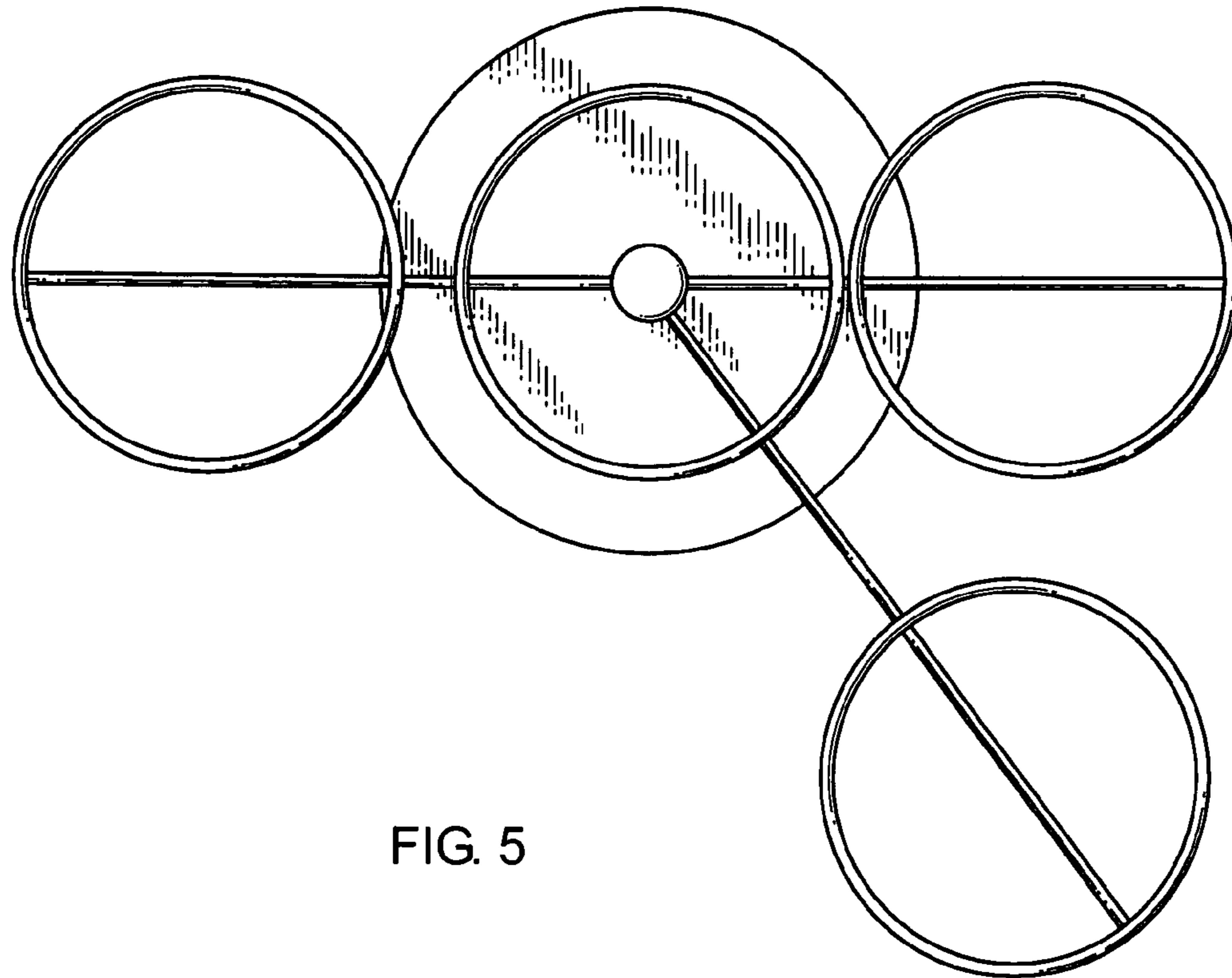


FIG. 5

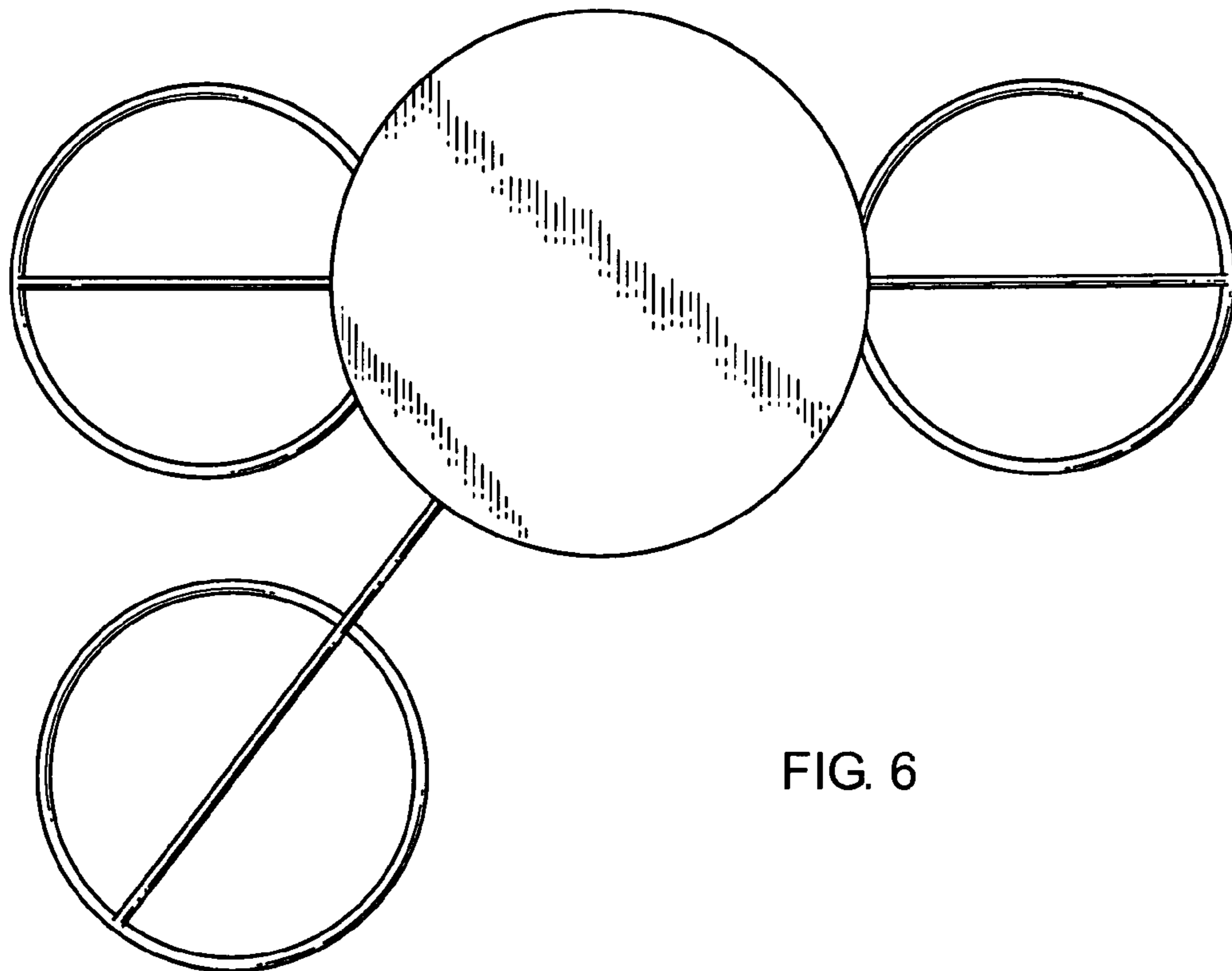


FIG. 6

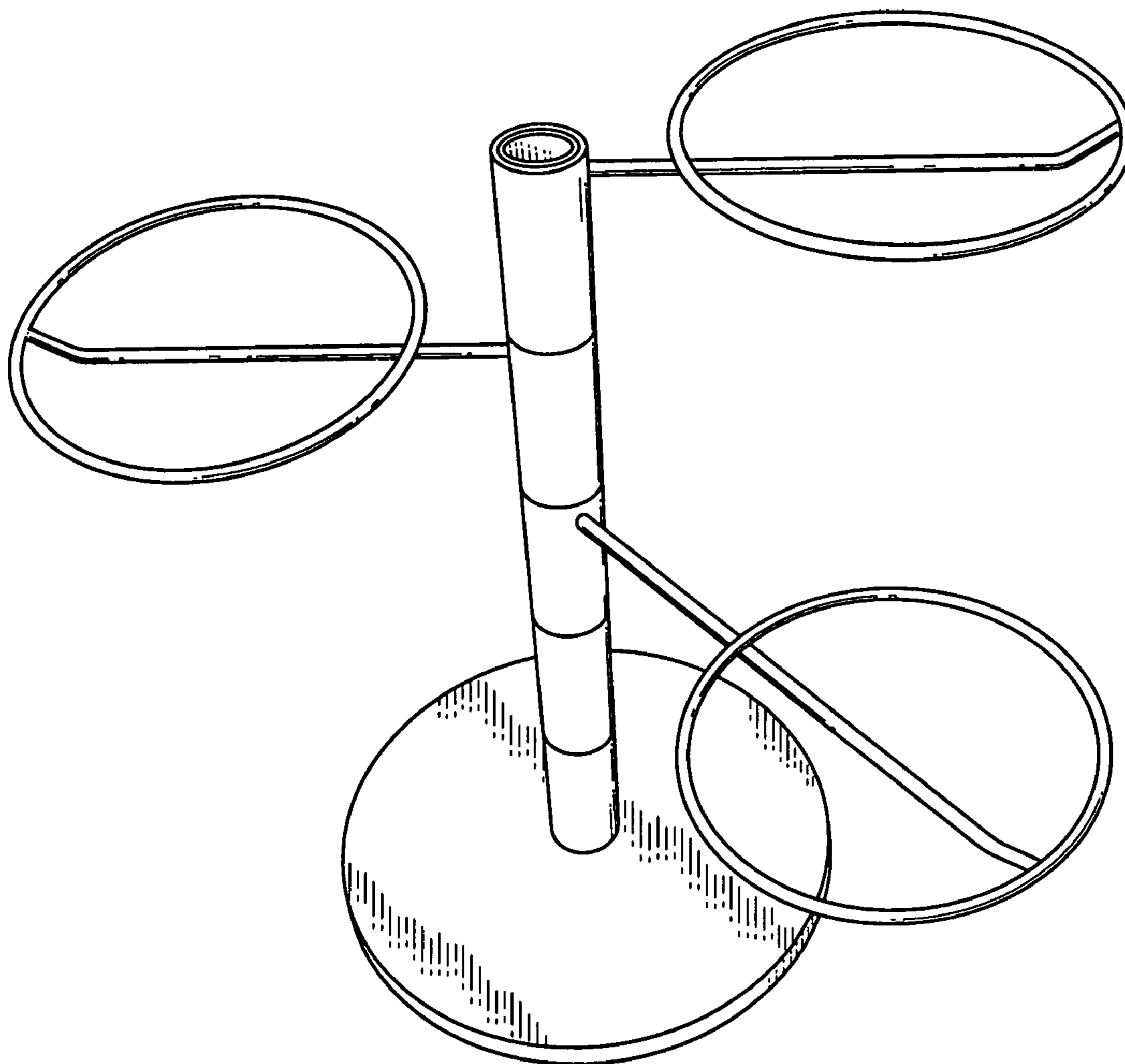


FIG. 7

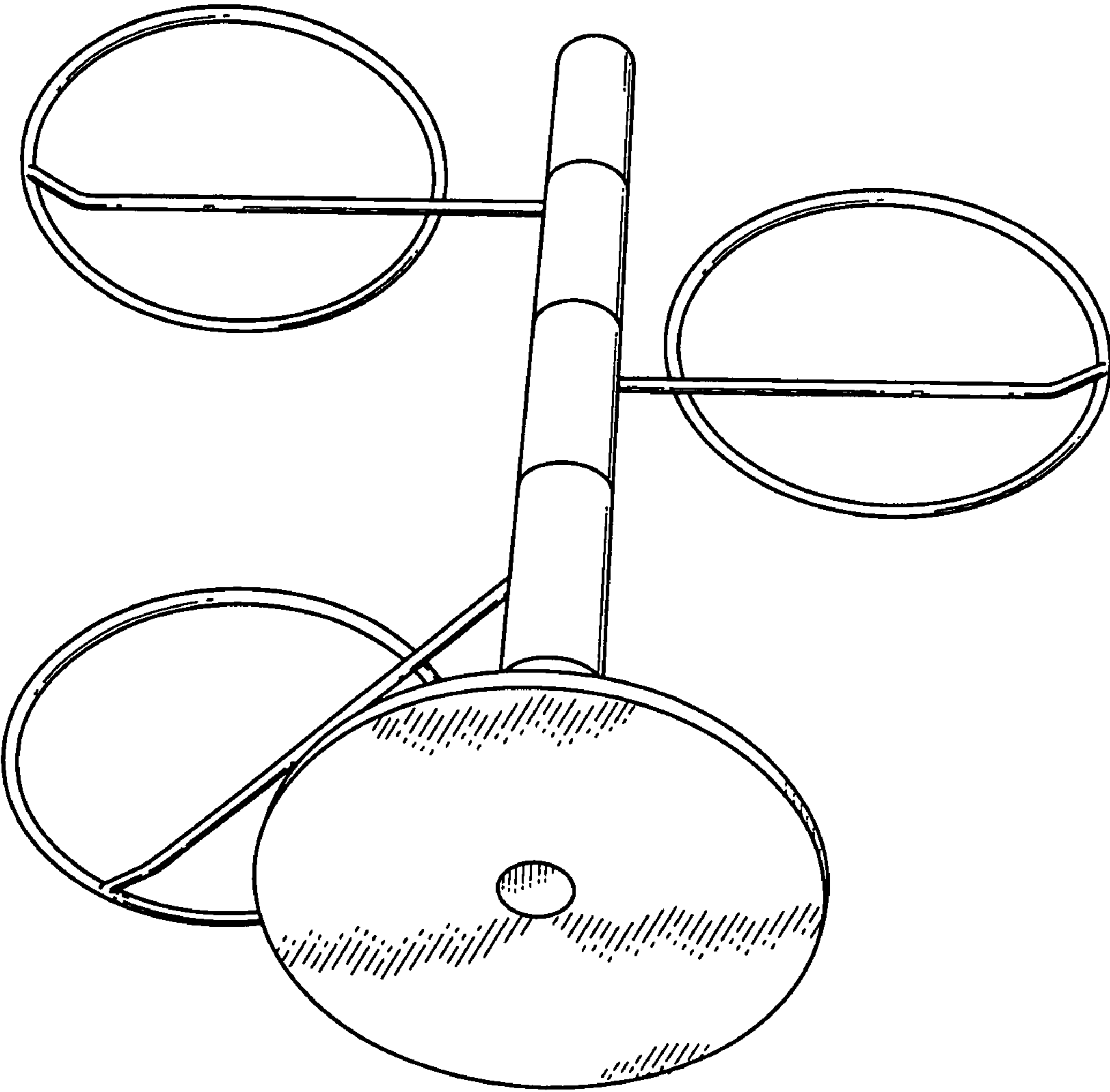


FIG. 8

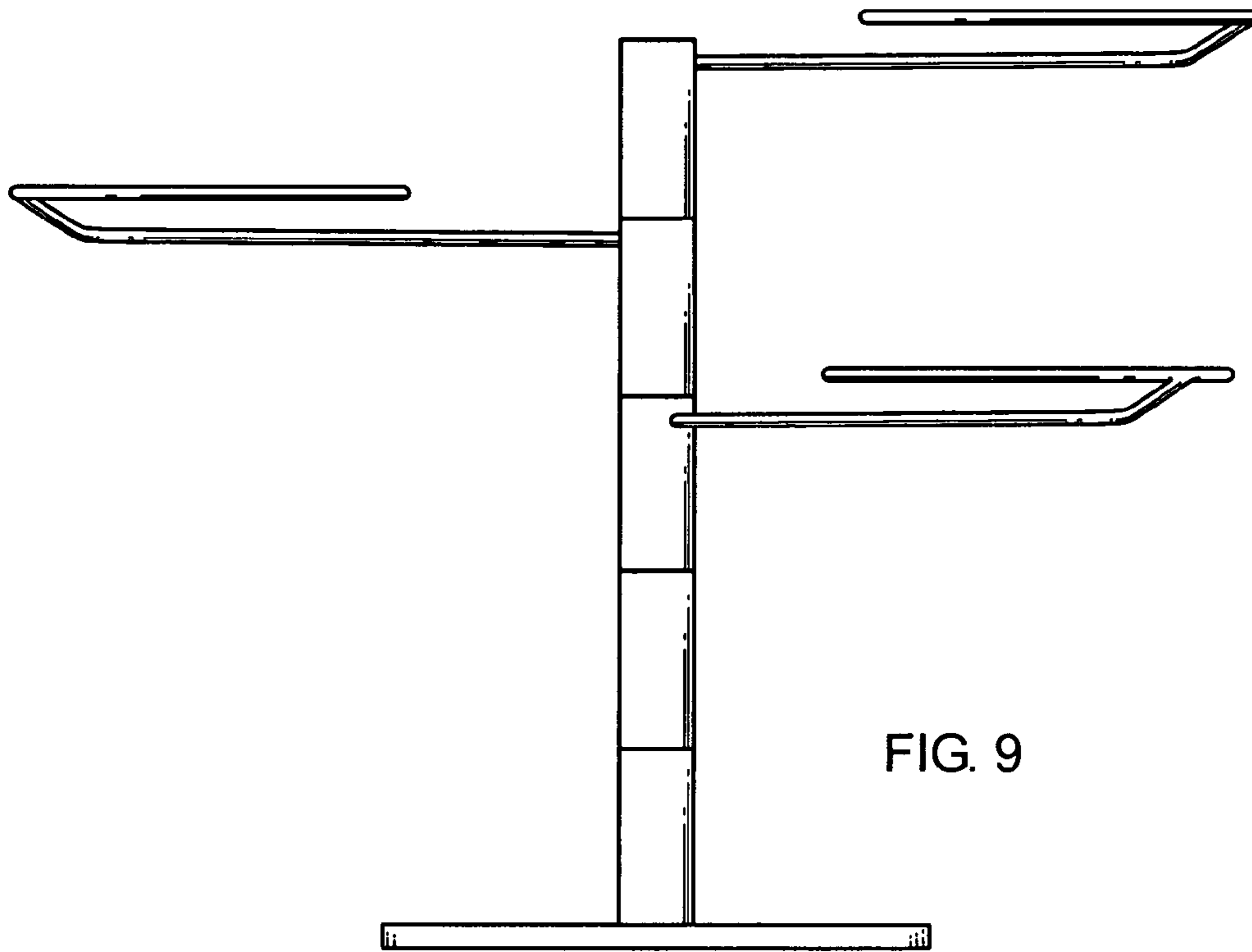


FIG. 9

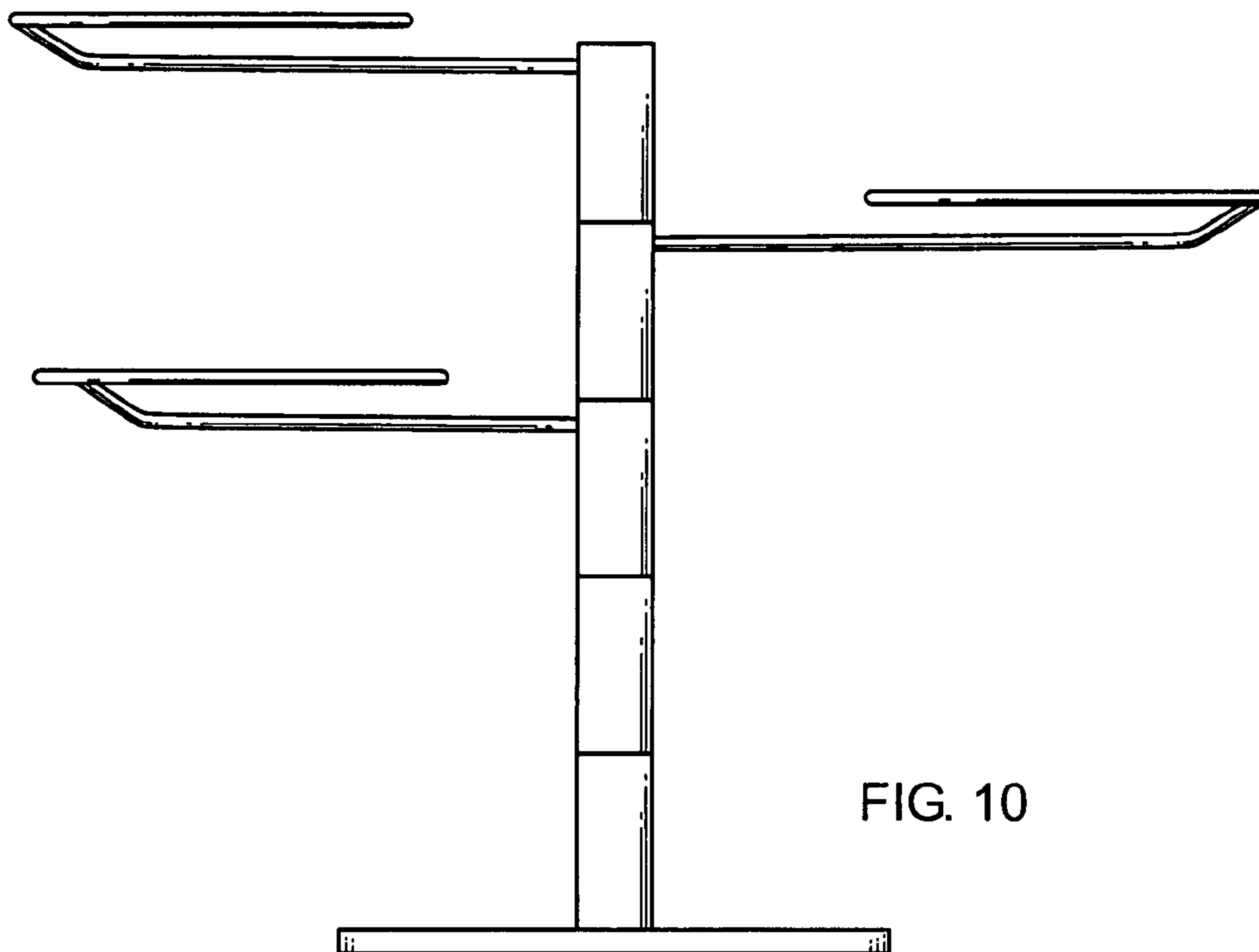


FIG. 10

