



US00D574159S

(12) **United States Design Patent**
Howard

(10) **Patent No.:** **US D574,159 S**

(45) **Date of Patent:** **** Aug. 5, 2008**

(54) **FREE STANDING TELESCOPIC MIRROR**

(76) Inventor: **Janet Howard**, 720 Hampshire Hill Rd.,
Matthews, NC (US) 28105

(**) Term: **14 Years**

(21) Appl. No.: **29/280,521**

(22) Filed: **May 30, 2007**

(51) **LOC (8) Cl.** **06-04**

(52) **U.S. Cl.** **D6/310**

(58) **Field of Classification Search** D6/300-314;
40/700-702, 714, 717, 721, 727, 738, 739,
40/742, 745, 746, 747, 768, 777-779, 782-784,
40/790-791; 312/204; D11/131; 248/469;
359/882, 879, 880, 840

See application file for complete search history.

(56) **References Cited**

U.S. PATENT DOCUMENTS

56,723	A *	7/1866	Dailey	359/882
404,110	A	5/1889	Pincus		
898,263	A	9/1908	Rice		
1,179,063	A *	4/1916	Aldrete	359/879
D51,556	S *	12/1917	Hawthorne	D6/309
2,266,977	A *	12/1941	Lynch	359/880
2,559,290	A *	7/1951	Engelmann	359/840
4,339,104	A	7/1982	Weidman		
D309,833	S *	8/1990	Wahl	D6/300

5,359,461	A	10/1994	Rice		
5,556,070	A *	9/1996	Viebrock	248/469
D379,125	S	5/1997	Simjian		
6,099,133	A *	8/2000	Wright	359/880
D431,375	S *	10/2000	Zadro	D6/312
D444,634	S	7/2001	Dodson		
6,382,802	B1	5/2002	Goodman		
D509,369	S *	9/2005	Snell	D6/310
D540,549	S *	4/2007	Yue	D6/312

* cited by examiner

Primary Examiner—Caron D. Veynar

Assistant Examiner—Sydney R Buffalow

(57) **CLAIM**

The ornamental design for a free standing telescopic mirror, as shown and described.

DESCRIPTION

FIG. 1 is a front elevation view of a free standing telescopic mirror showing my new design;

FIG. 2 is a rear elevation view;

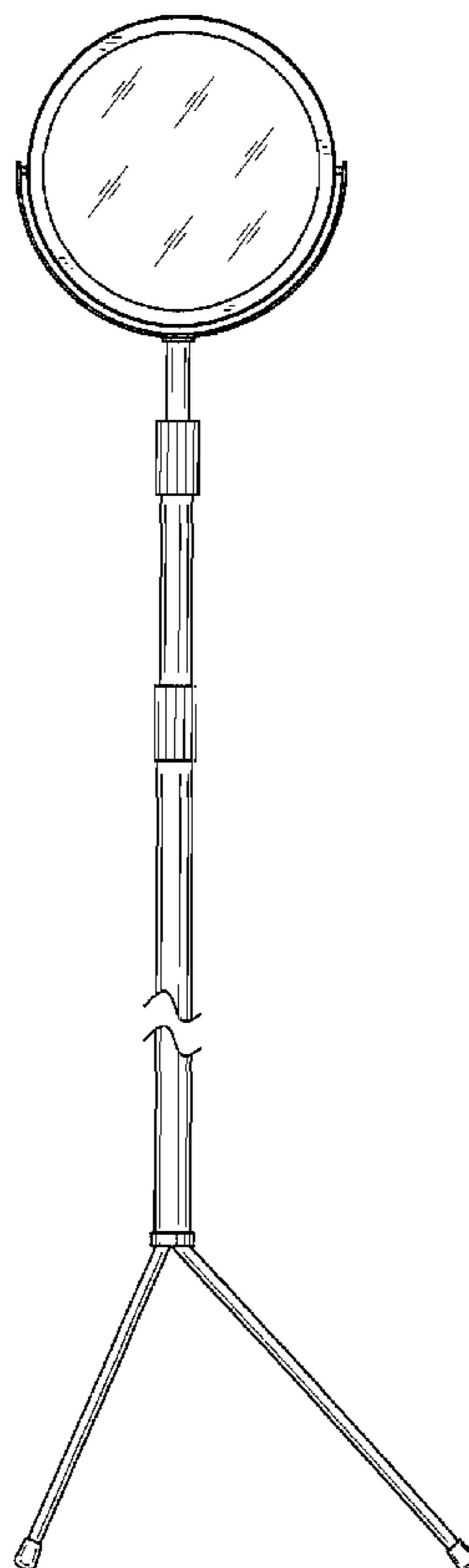
FIG. 3 is a right elevation view;

FIG. 4 is a left elevation view;

FIG. 5 is a top plan view; and,

FIG. 6 is a bottom plan view of a free standing telescopic mirror.

1 Claim, 3 Drawing Sheets



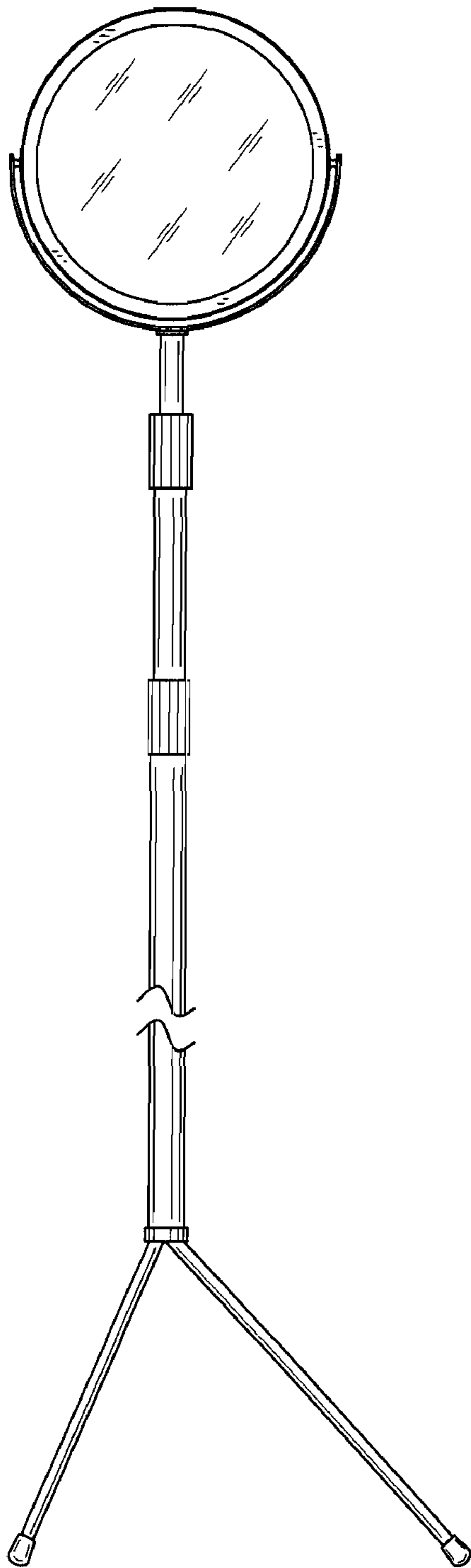


FIG. 1

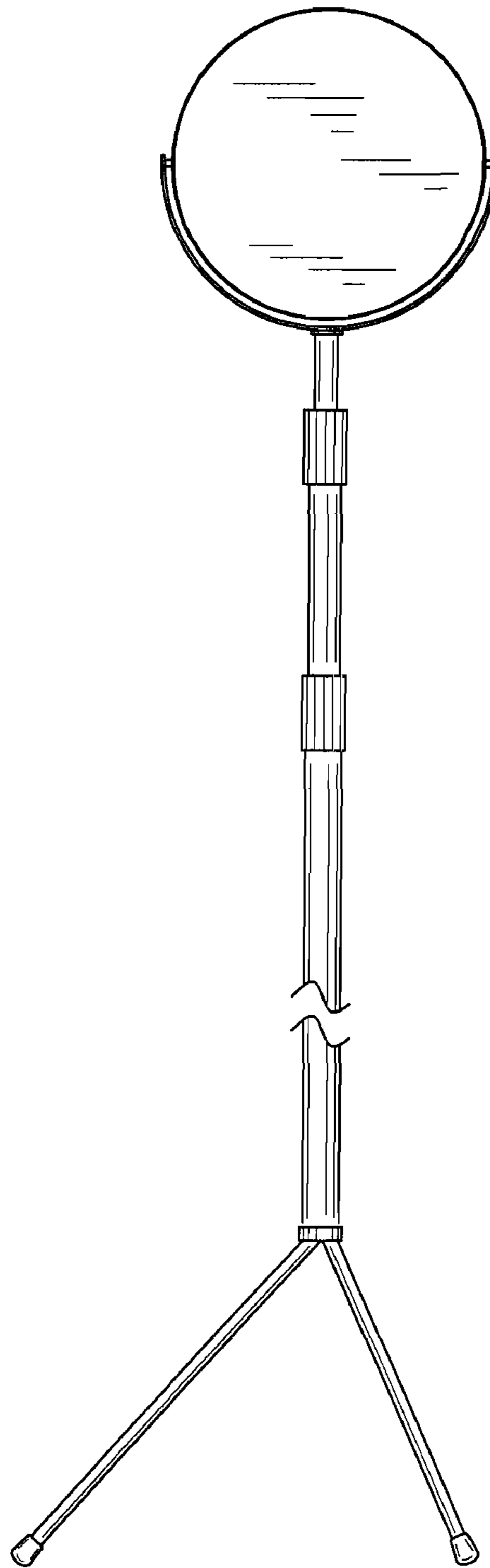


FIG. 2

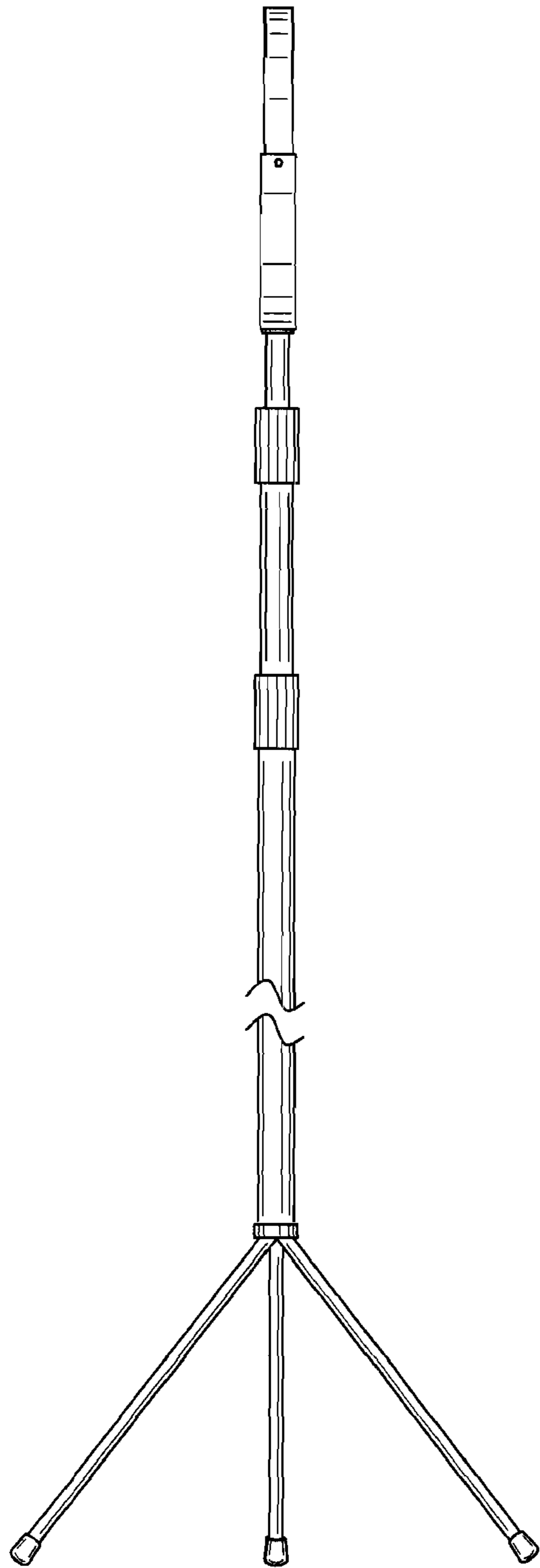


FIG. 3

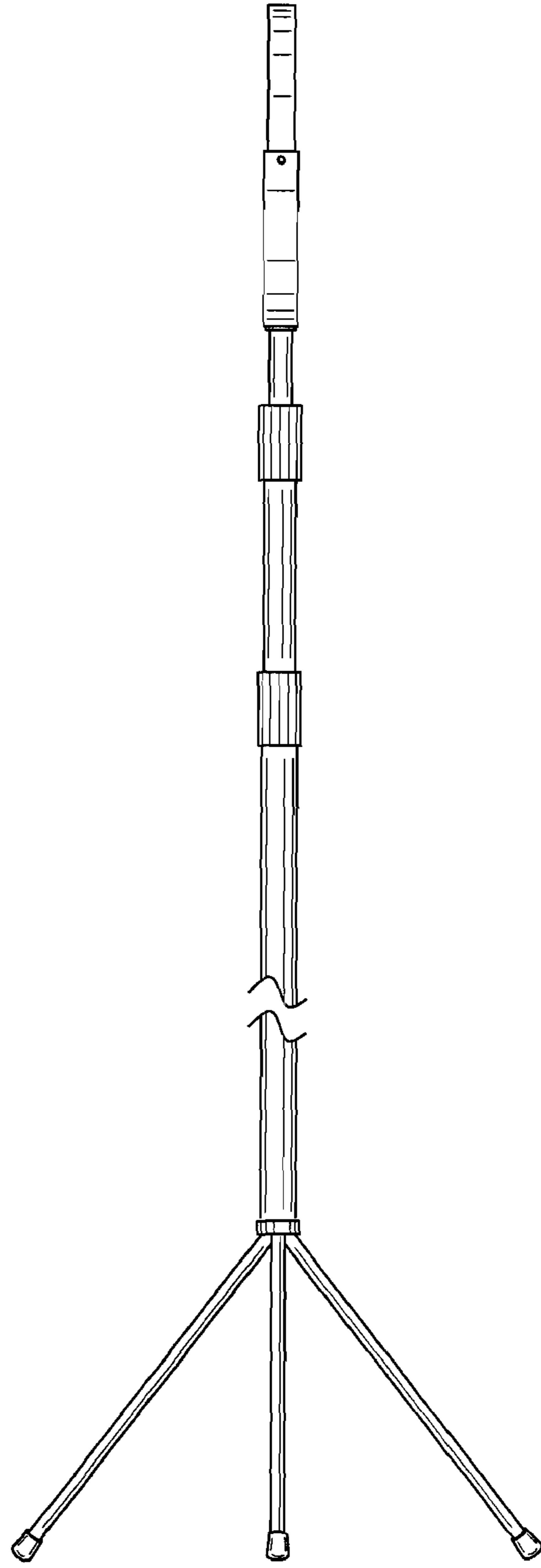


FIG. 4

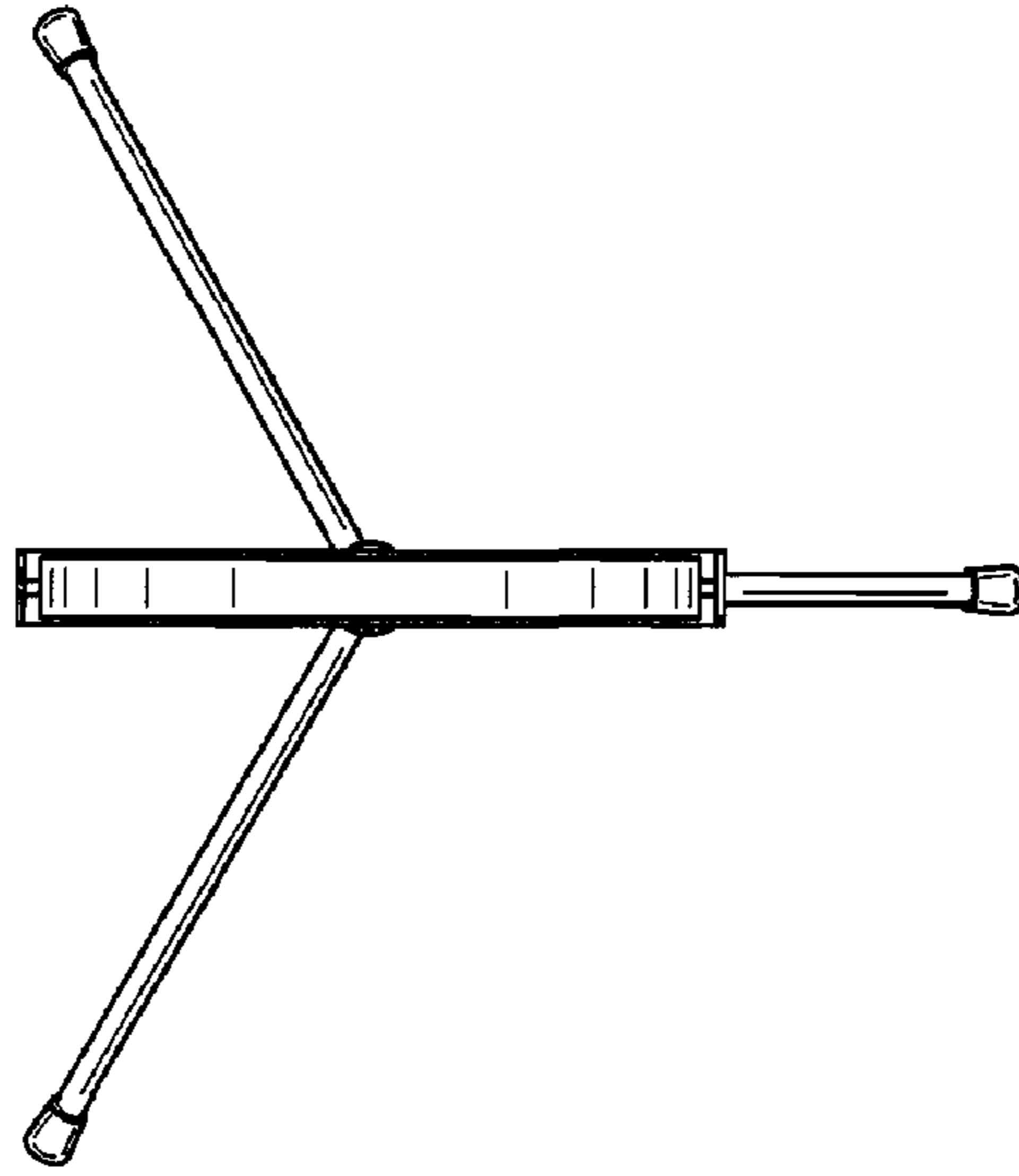


FIG. 5

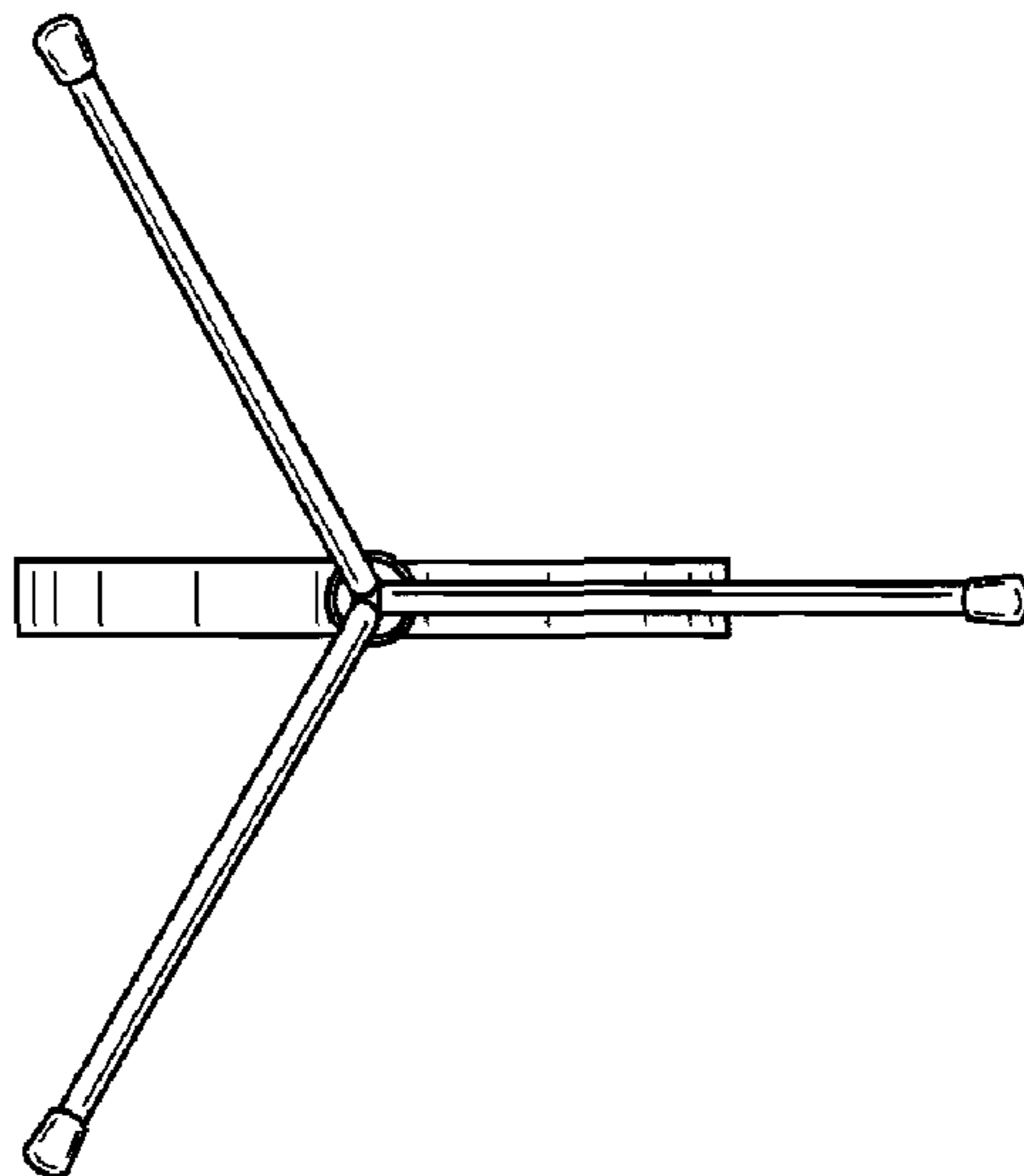


FIG. 6