



US00D574154S

(12) **United States Design Patent**
Dumler et al.

(10) **Patent No.:** **US D574,154 S**
(45) **Date of Patent:** **** Aug. 5, 2008**

(54) **COSMETIC BRUSH**

(75) Inventors: **Norbert Dumler**, Ansbach (DE);
Daniela Kulik, Feuchtwangen (DE)

(73) Assignee: **Geka Brush GmbH**, Bechhofen (DE)

(**) Term: **14 Years**

(21) Appl. No.: **29/253,552**

(22) Filed: **Feb. 9, 2006**

(30) **Foreign Application Priority Data**

Aug. 12, 2005 (EM) 000386388-0002

(51) **LOC (8) Cl.** **04-02**

(52) **U.S. Cl.** **D4/128**

(58) **Field of Classification Search** 15/207.2,
15/206, DIG. 15, 27, 188; 132/218, 317,
132/320; 401/122, 126, 127, 129; D4/128,
D4/136

See application file for complete search history.

(56) **References Cited**

U.S. PATENT DOCUMENTS

4,411,282 A * 10/1983 Wavering 132/218

4,572,224 A * 2/1986 Rosenwinkel et al. 132/218
4,635,659 A * 1/1987 Spatz 132/218
4,802,797 A * 2/1989 Cole 401/122
5,826,600 A * 10/1998 Rowe et al. 132/317
2002/0059942 A1 * 5/2002 Neuner et al. 132/218
2007/0034224 A1 * 2/2007 Dumler 132/218

* cited by examiner

Primary Examiner—Jennifer Rivard

(74) *Attorney, Agent, or Firm*—Browdy and Neimark

(57) **CLAIM**

We claim the ornamental design for a cosmetic brush, as shown and described.

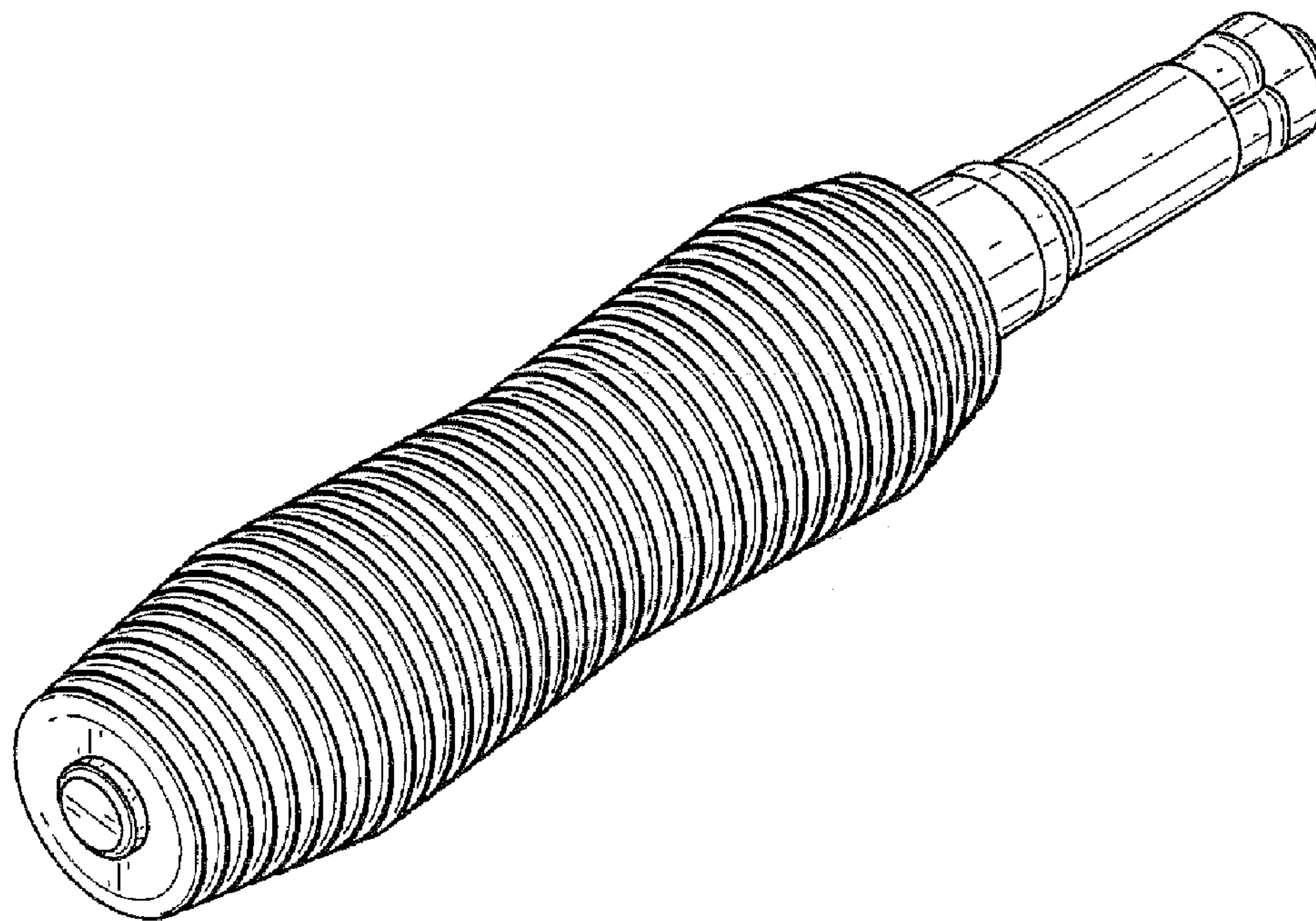
DESCRIPTION

FIG. 1 is a top plan view of a cosmetic brush, showing our new design;

FIG. 2 is a side elevational view thereof, the opposite side view being a mirror image; and,

FIG. 3 is a perspective view thereof.

1 Claim, 2 Drawing Sheets



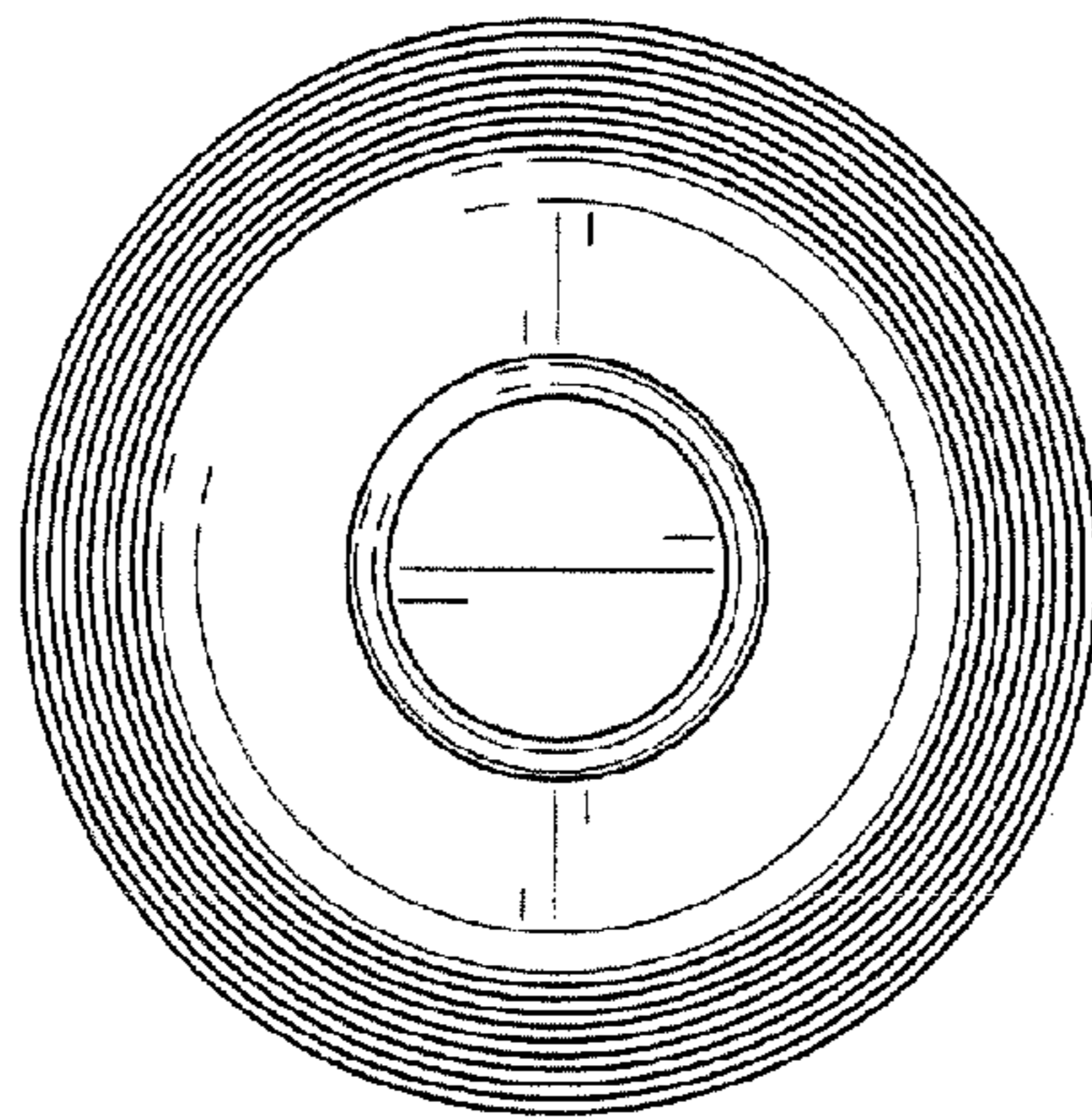


FIG. 1

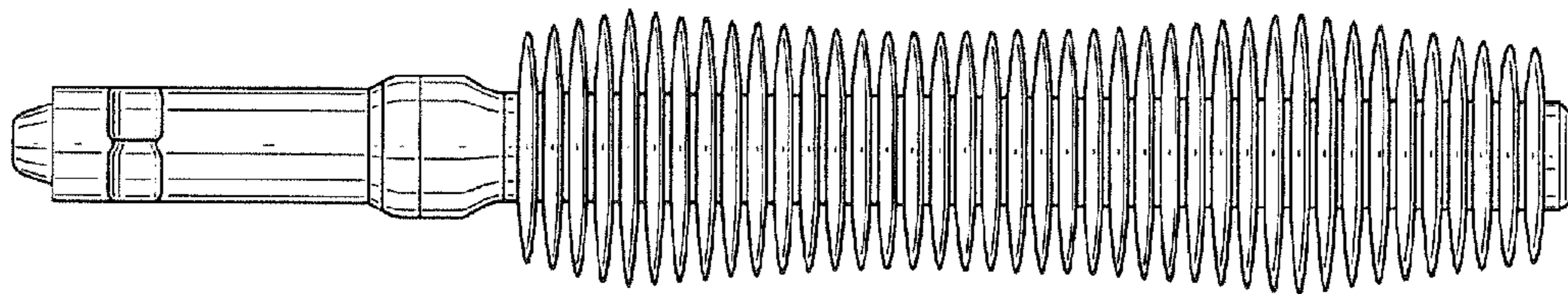


FIG. 2

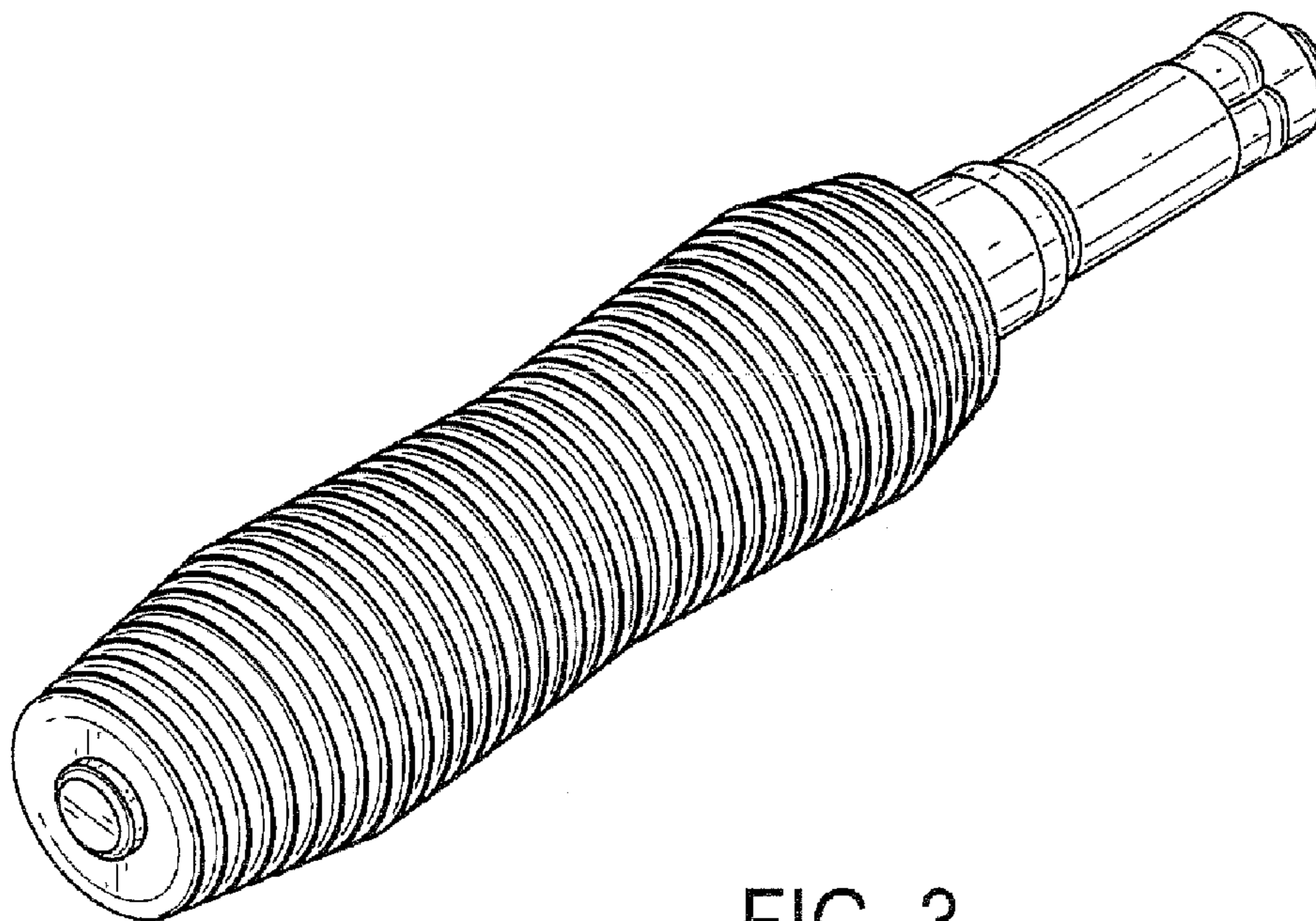


FIG. 3