



US00D574153S

(12) **United States Design Patent**
Dehart

(10) **Patent No.:** **US D574,153 S**

(45) **Date of Patent:** **** Aug. 5, 2008**

(54) **PAINT ROLLER APPLICATOR HANDLE**

(76) Inventor: **John W. Dehart**, P.O. Box 102, Hodgen,
OK (US) 74939

(**) Term: **14 Years**

(21) Appl. No.: **29/278,569**

(22) Filed: **Apr. 2, 2007**

(51) **LOC (8) Cl.** **04-01**

(52) **U.S. Cl.** **D4/122**

(58) **Field of Classification Search** D4/122,
D4/123, 138; 15/230.11, 27, 143.1; 492/29,
492/13, 17-19; D8/107, 370

See application file for complete search history.

(56) **References Cited**

U.S. PATENT DOCUMENTS

2,797,427	A	7/1957	Tate	
4,304,025	A	12/1981	Christensen	
4,528,714	A	7/1985	Beck	
5,105,500	A	4/1992	Bordogna	
D345,096	S *	3/1994	Shapiro D8/373
5,339,484	A *	8/1994	Polzin et al. 15/230.11
5,386,611	A	2/1995	Kim	
5,903,952	A	5/1999	Camp, Jr. et al.	

D505,958 S 6/2005 Cheng
D550,068 S * 9/2007 Takacs D8/370
2006/0179592 A1 * 8/2006 Landers 15/143.1

* cited by examiner

Primary Examiner—Clare E Heflin
Assistant Examiner—Barbara Fox

(57) **CLAIM**

The ornamental design for a paint roller applicator handle, as shown.

DESCRIPTION

FIG. 1 is a top plan view of a paint roller applicator handle showing my new design;

FIG. 2 is a bottom plan view thereof;

FIG. 3 is a right elevation view thereof;

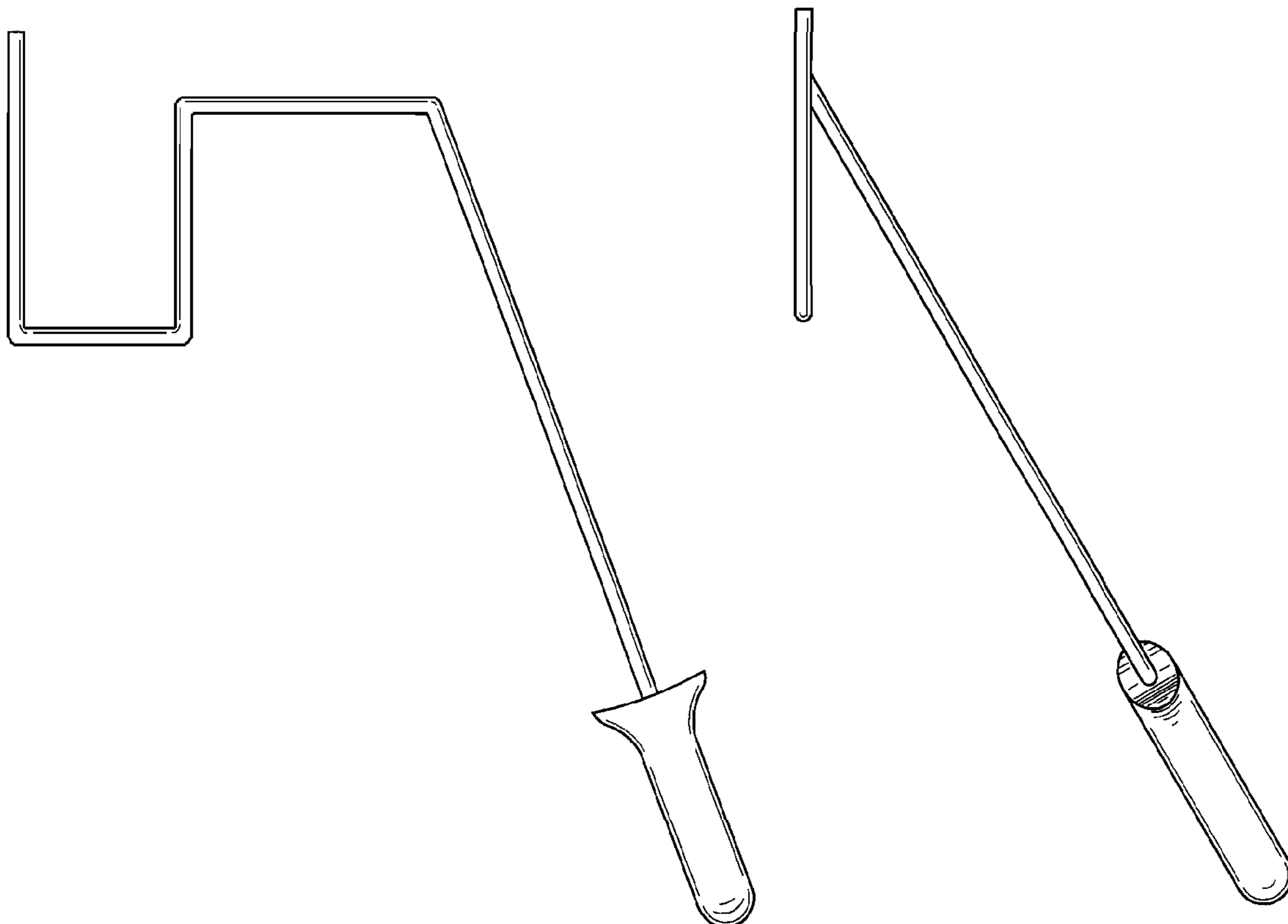
FIG. 4 is a left elevation view thereof;

FIG. 5 is a top plan view thereof;

FIG. 6 is a bottom plan view thereof; and,

FIG. 7 is an isometric view of the paint roller applicator handle.

1 Claim, 4 Drawing Sheets



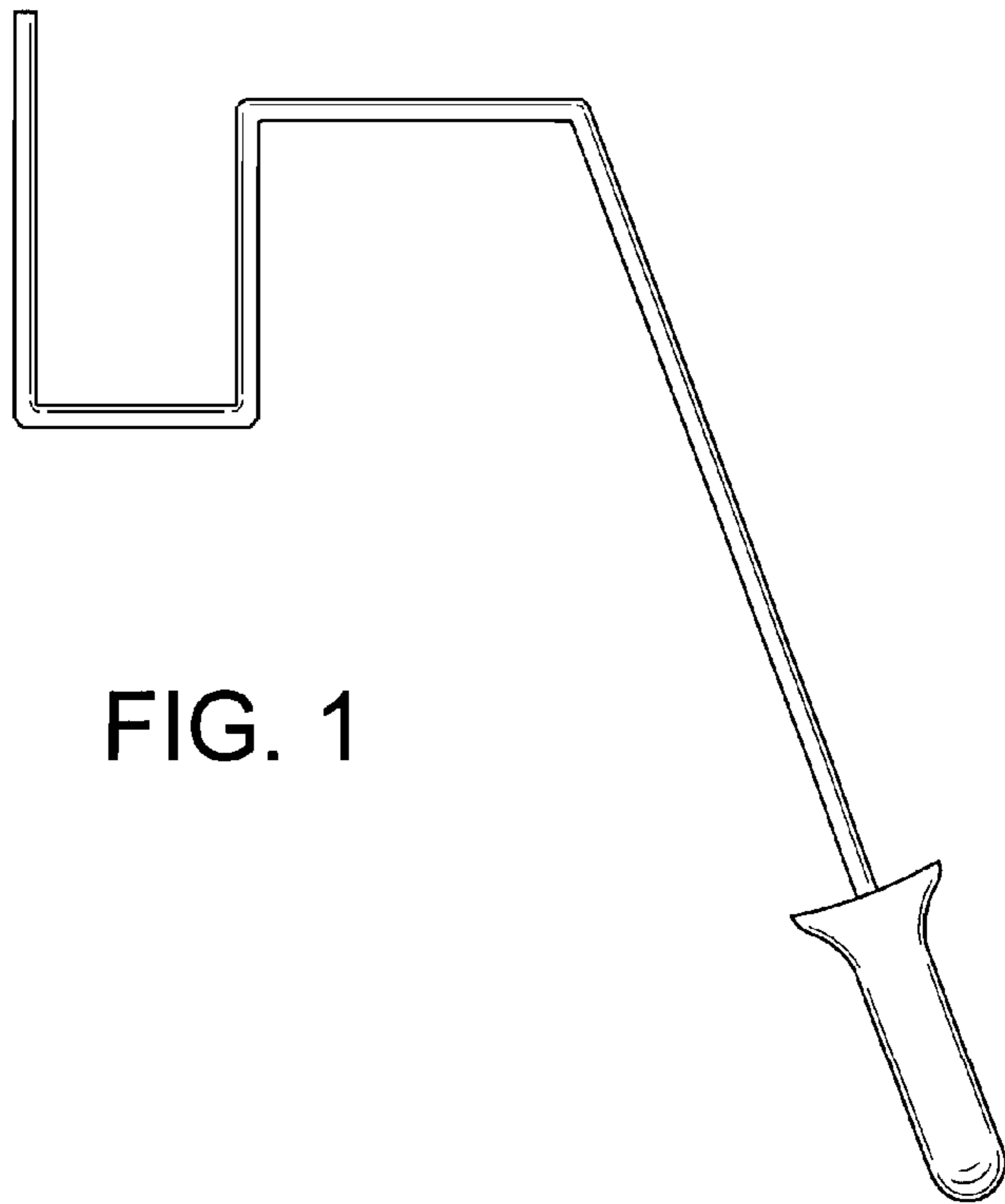


FIG. 1

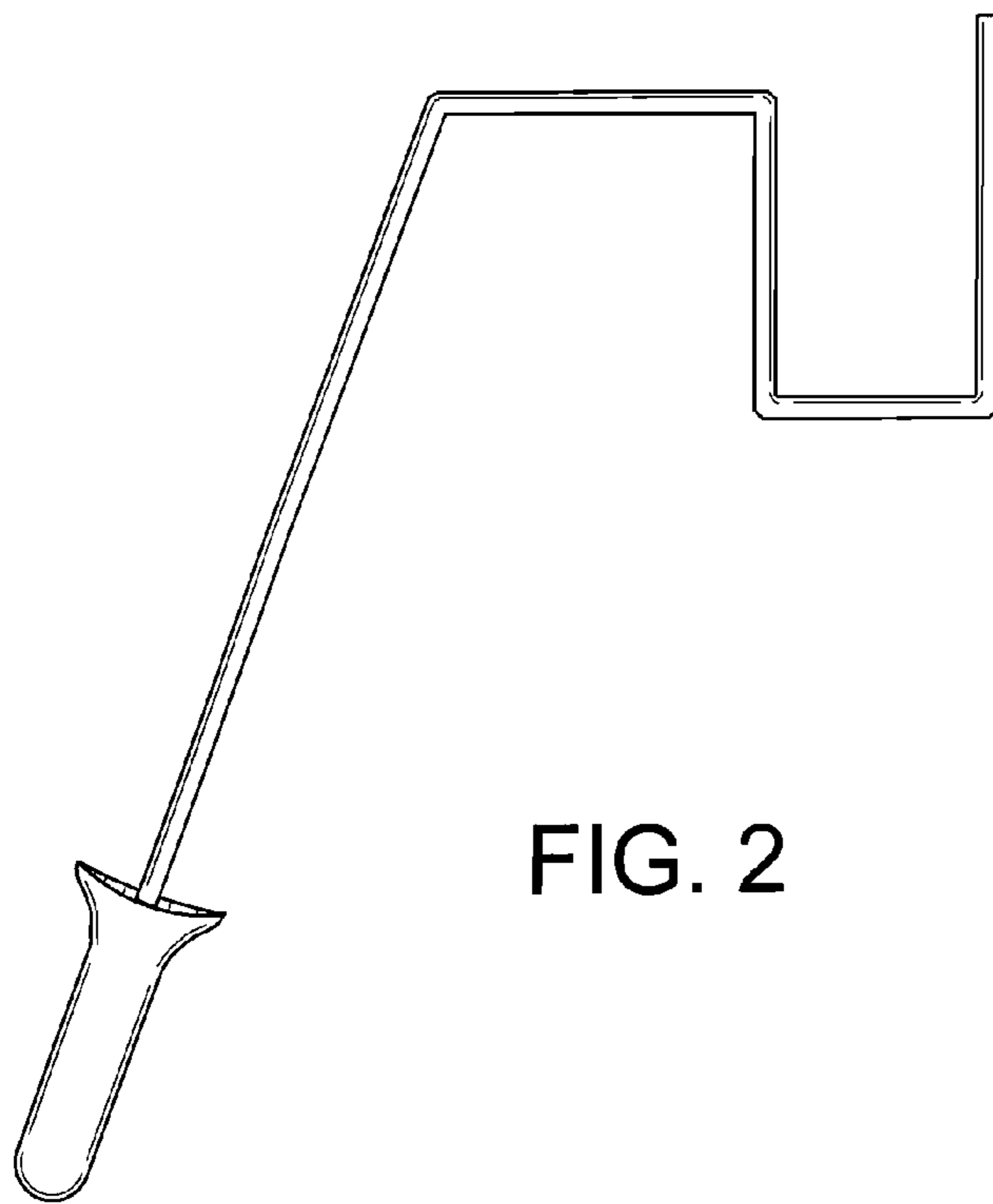


FIG. 2

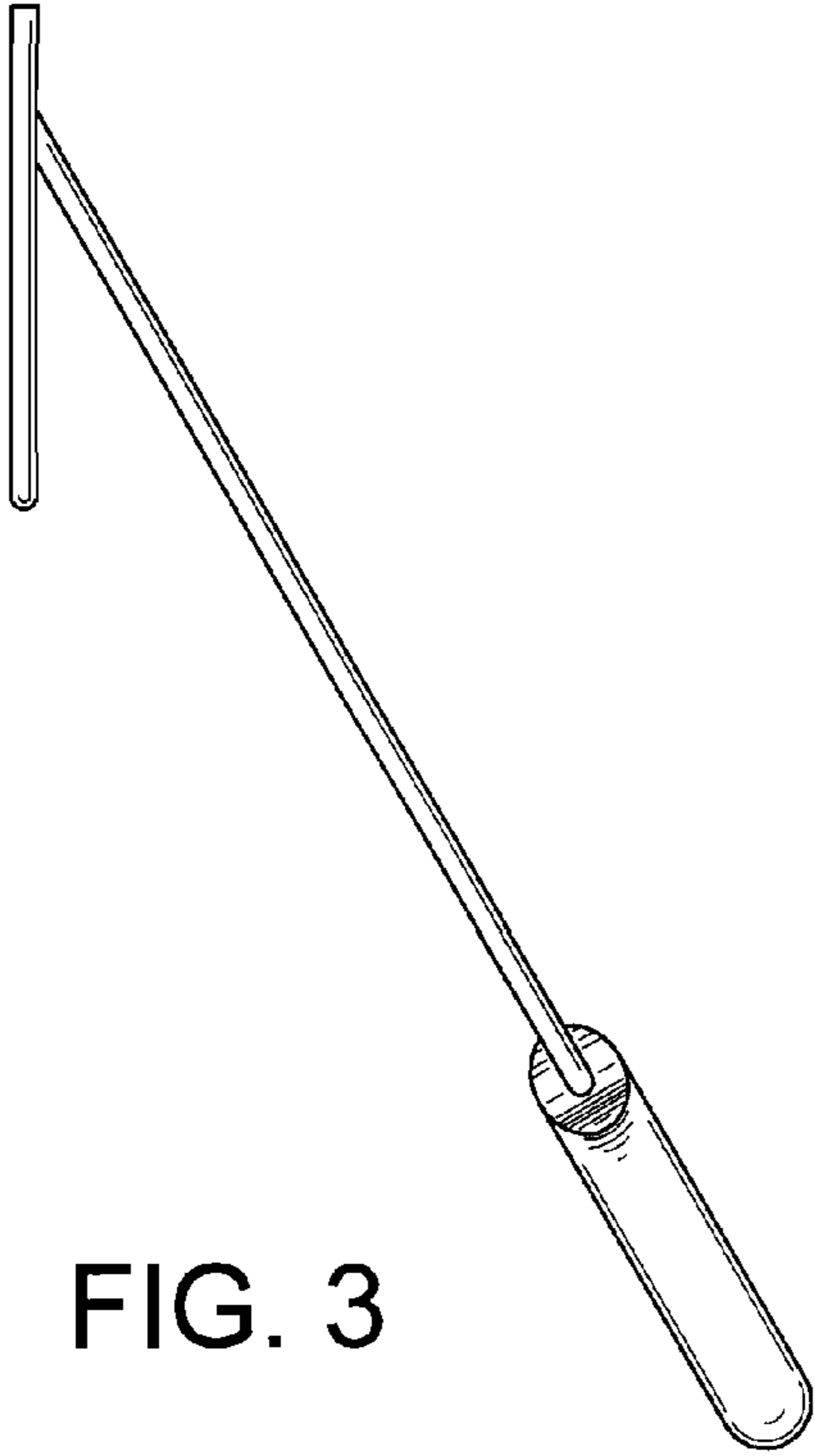


FIG. 3

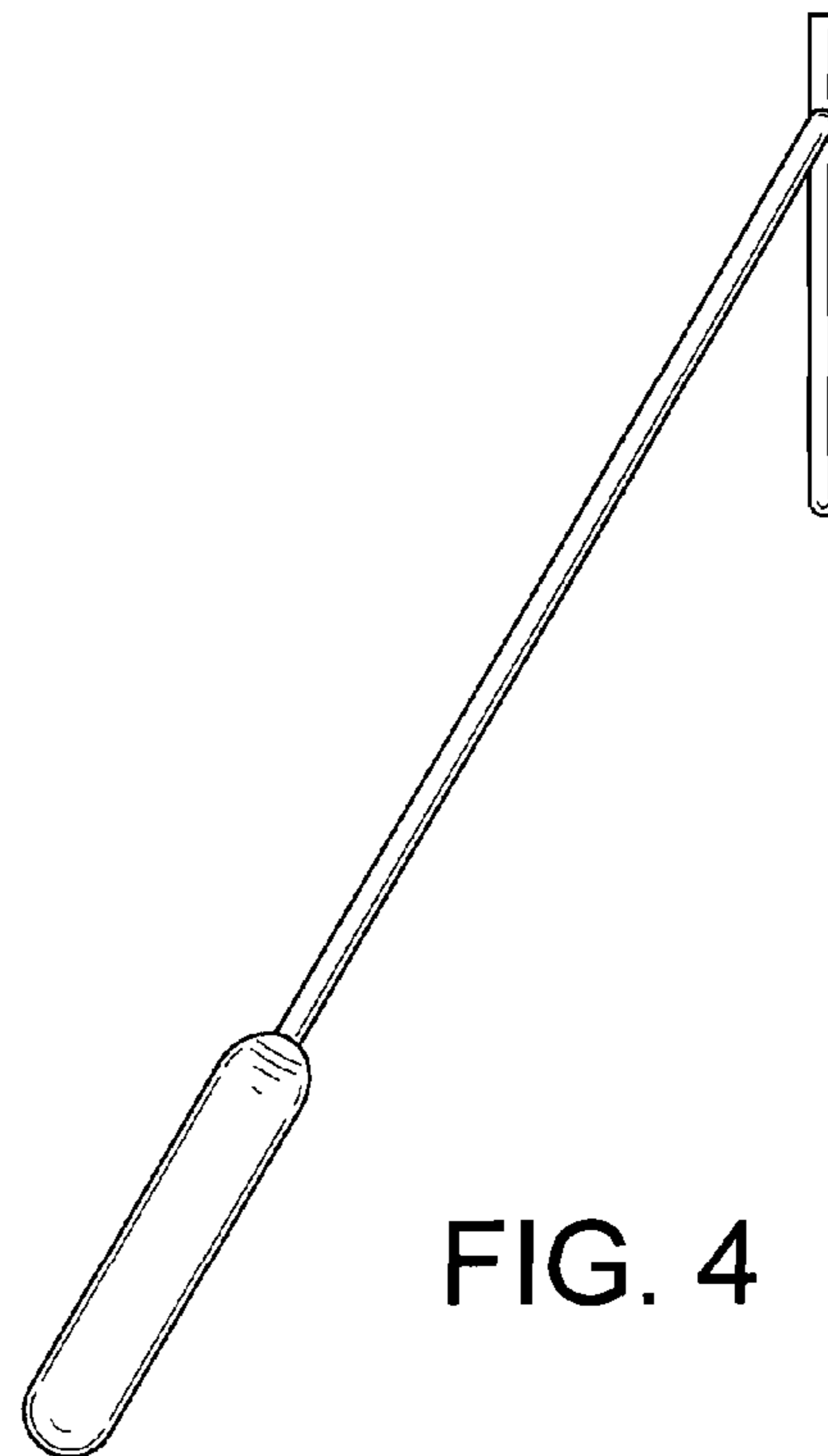


FIG. 4

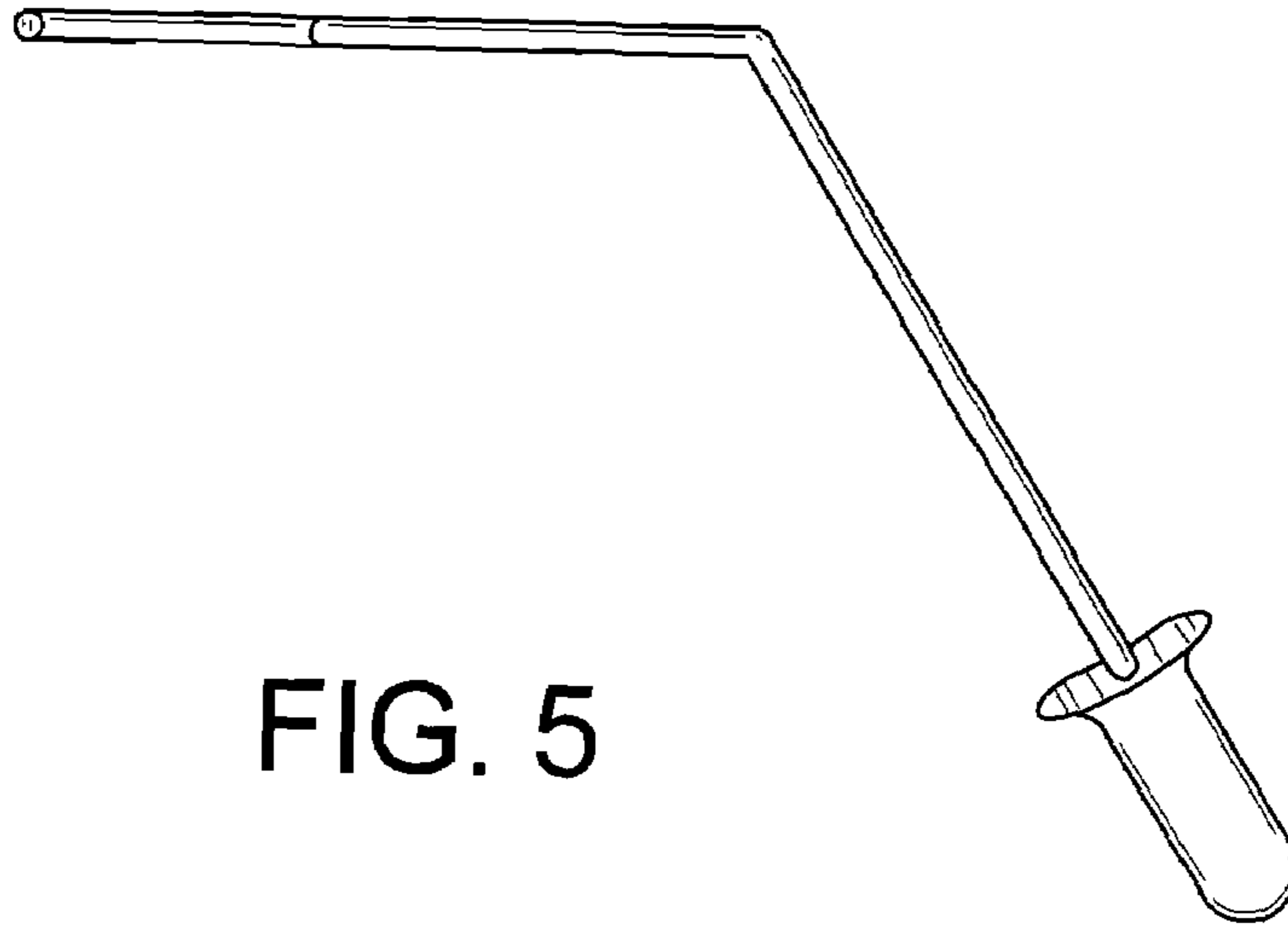


FIG. 5

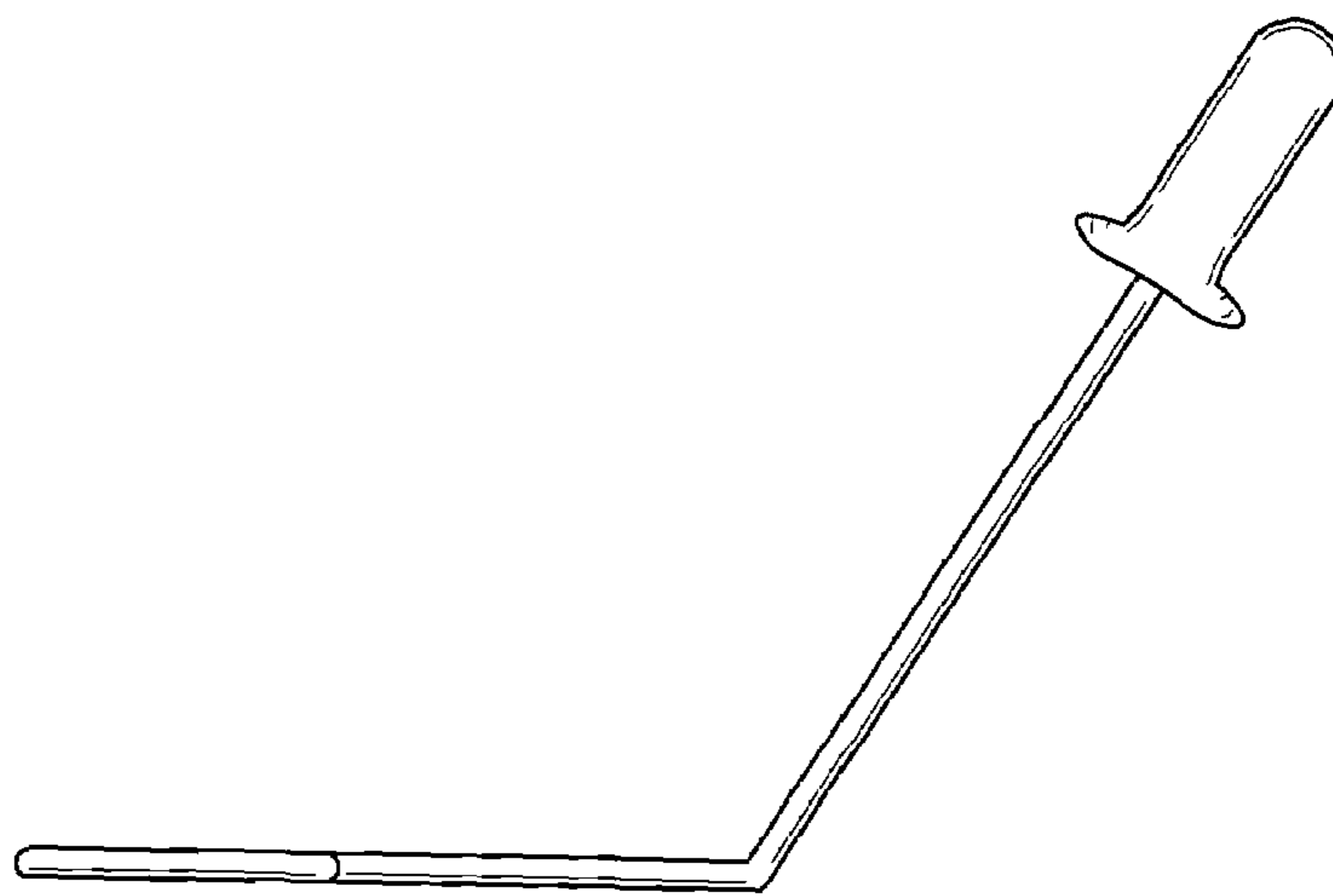


FIG. 6

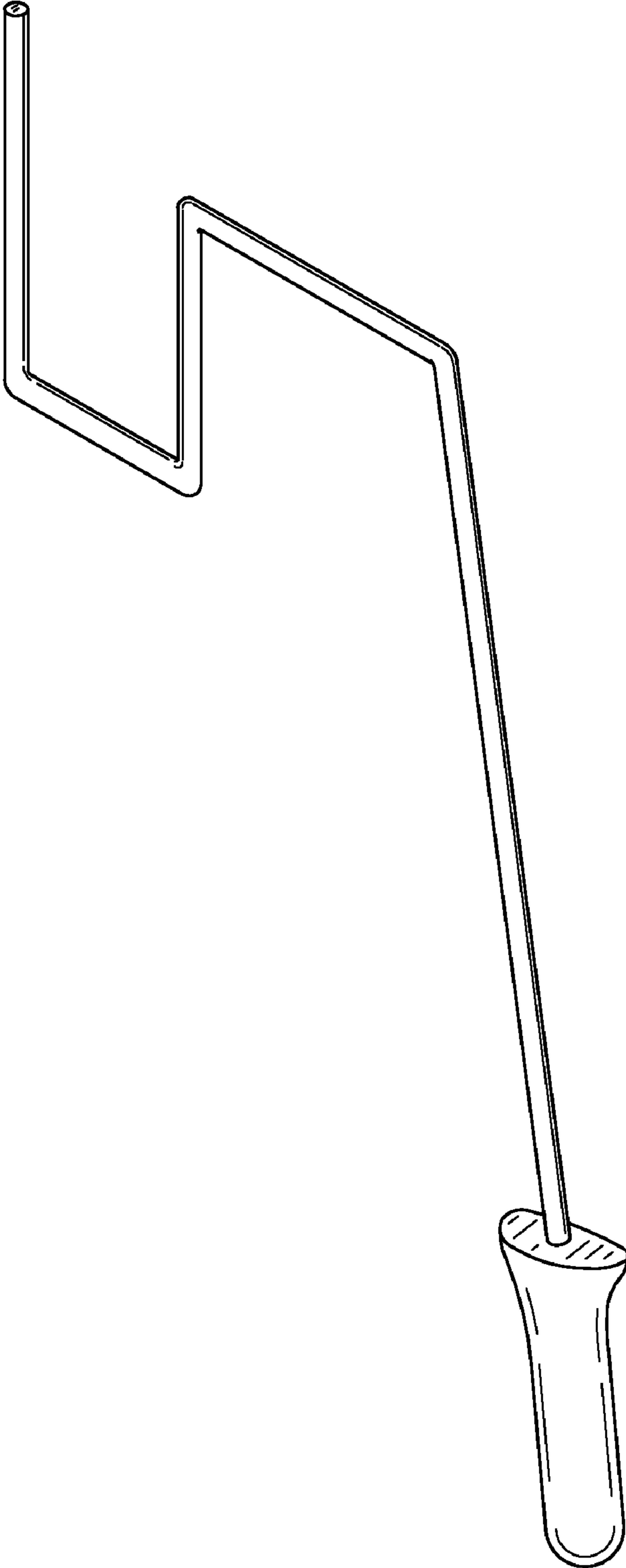


FIG. 7