



US00D574152S

(12) **United States Design Patent**
Holcomb et al.

(10) **Patent No.:** **US D574,152 S**
(45) **Date of Patent:** **** Aug. 5, 2008**

(54) **HAND-HELD SCRUB BRUSH**

(75) Inventors: **David A. Holcomb**, Seattle, WA (US);
Joshua R. Stewart, Seattle, WA (US)

(73) Assignee: **Chef'n Corporation**, Seattle, WA (US)

(**) Term: **14 Years**

(21) Appl. No.: **29/276,736**

(22) Filed: **Feb. 2, 2007**

(51) **LOC (8) Cl.** **04-01**

(52) **U.S. Cl.** **D4/114; D4/118; D4/199**

(58) **Field of Classification Search** D4/100,
D4/102, 114, 116, 118, 130, 138, 199; 15/111,
15/159.1, 160, 186-188, 191.1; 401/136,
401/137, 188 R, 189, 190, 268, 270, 278,
401/279; D32/42, 45, 52

See application file for complete search history.

(56) **References Cited**

U.S. PATENT DOCUMENTS

1,822,725	A *	9/1931	Cooper et al.	15/105
D98,536	S *	2/1936	Maher	D4/130
4,005,502	A *	2/1977	Stevens (Boyer)	15/22.1
D409,336	S *	5/1999	Stein	D28/63
D438,013	S *	2/2001	Hay	D4/114

D477,700	S *	7/2003	Chezzi	D32/40
D477,917	S *	8/2003	Giacolo et al.	D4/114
D512,567	S *	12/2005	Eckhardt	D4/102
7,313,838	B2 *	1/2008	Long et al.	15/22.2

* cited by examiner

Primary Examiner—Cathron Brooks

Assistant Examiner—Lavone D. Tabor

(74) *Attorney, Agent, or Firm*—Seed IP Law Group PLLC

(57) **CLAIM**

The ornamental design for a hand-held scrub brush, as shown and described.

DESCRIPTION

FIG. 1 is a isometric view of a hand-held scrub brush showing our new design.

FIG. 2 is a front elevation view thereof.

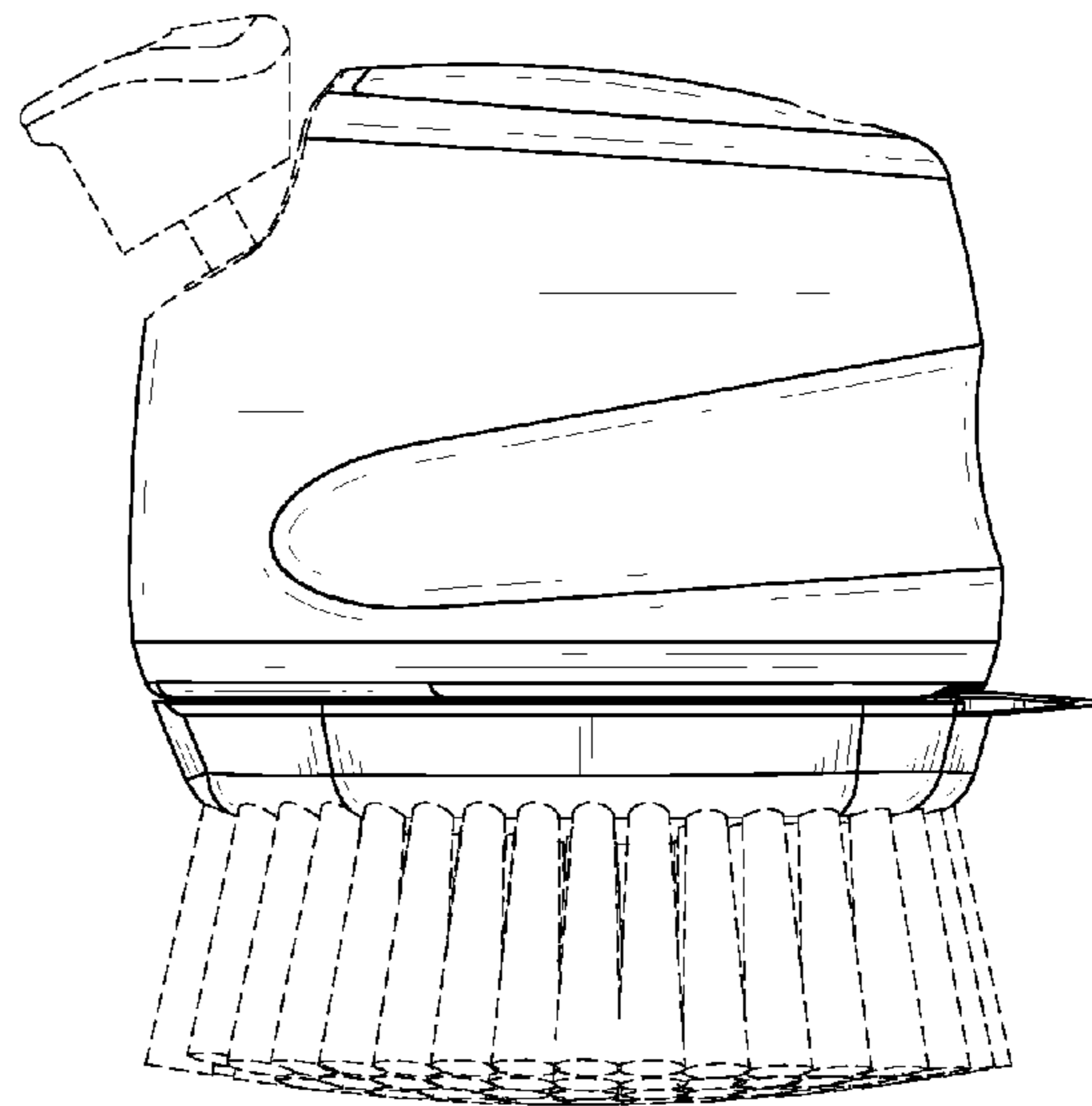
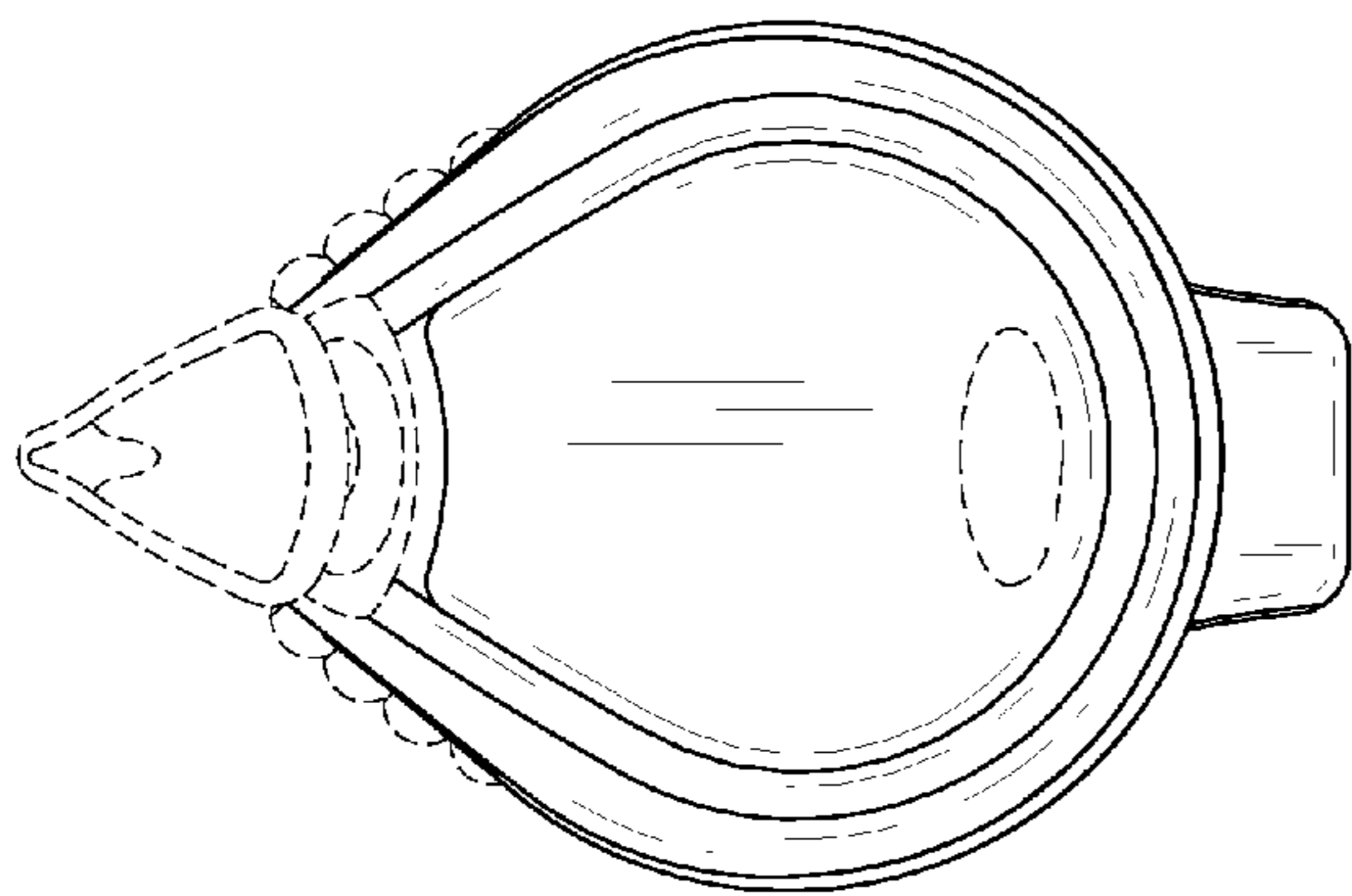
FIG. 3 is a rear elevation view thereof.

FIG. 4 is a top plan view thereof; and,

FIG. 5 is a right side elevation view, the left side view being a mirror image thereof.

The broken lines in the figures are for illustrative purposes only and form no part of the claimed design.

1 Claim, 3 Drawing Sheets



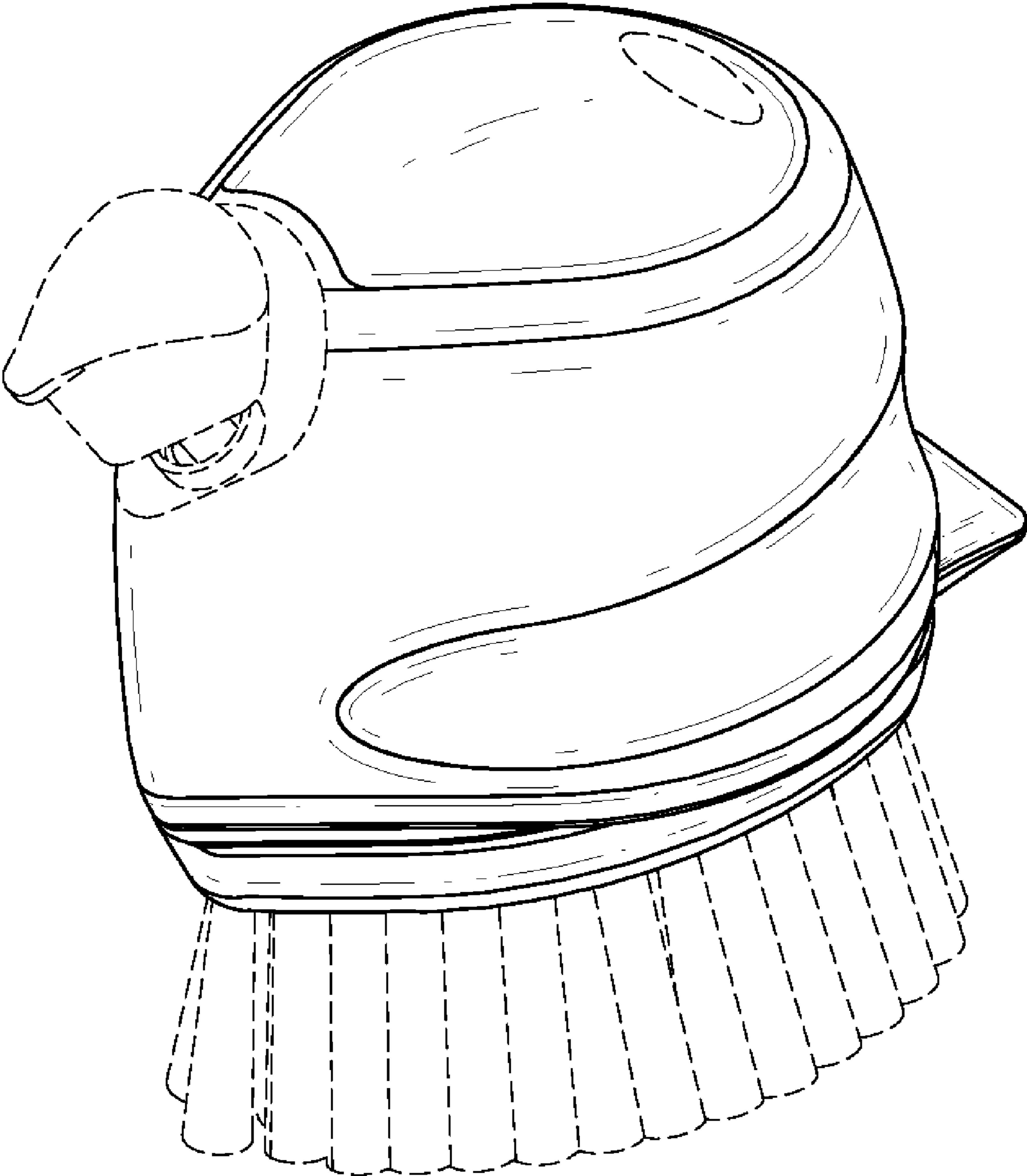


FIG. 1

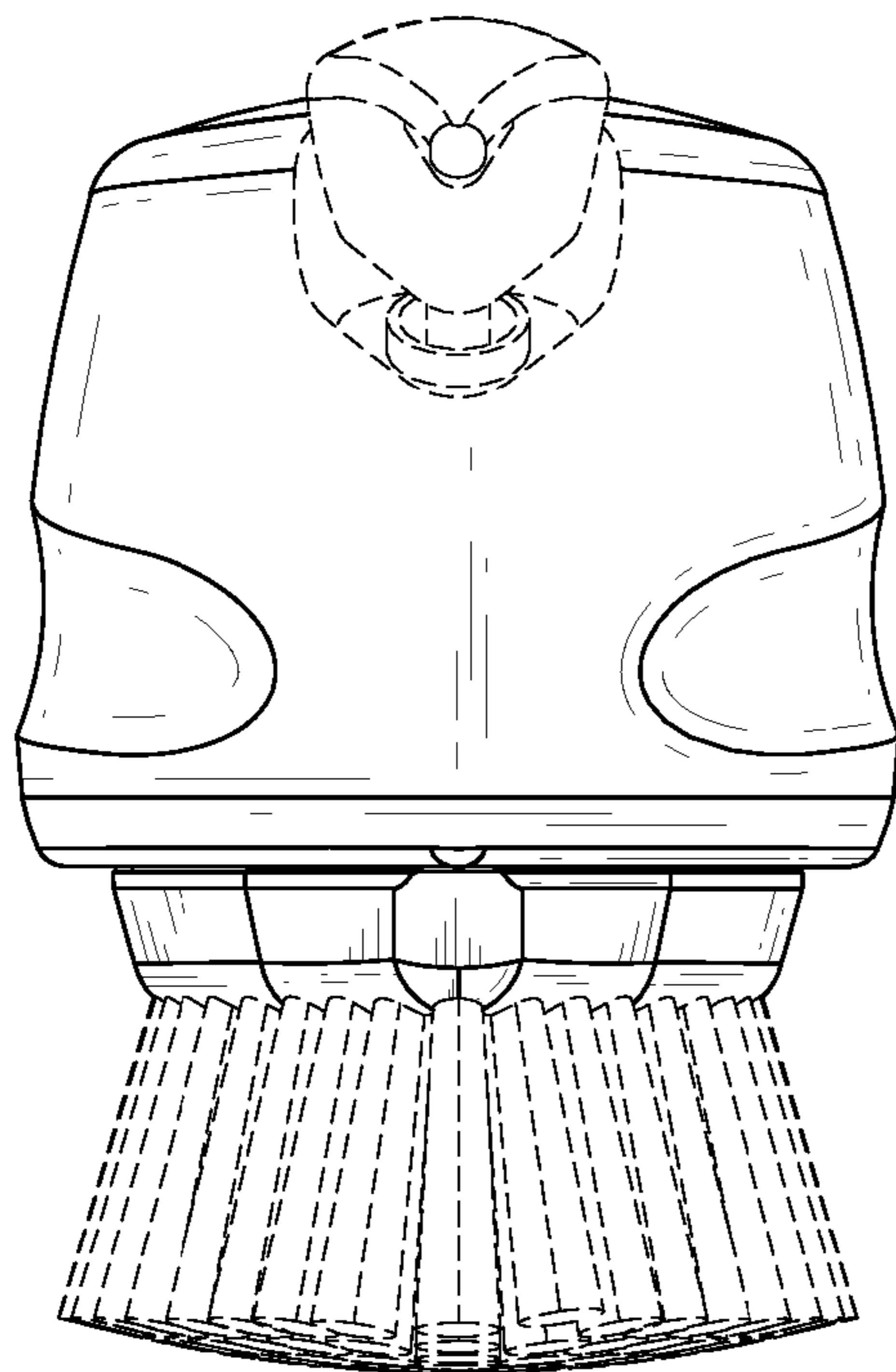


FIG. 2

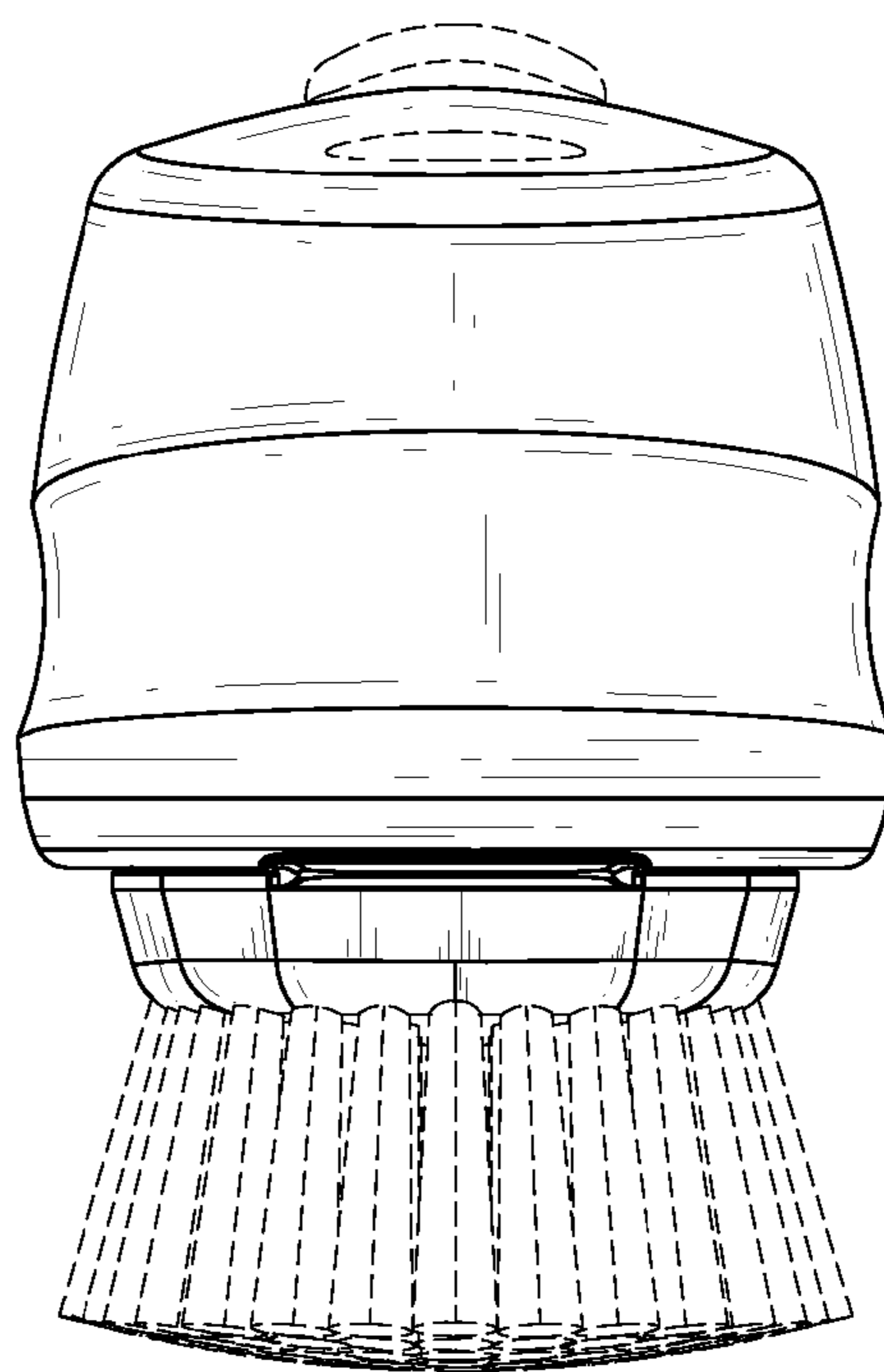


FIG. 3

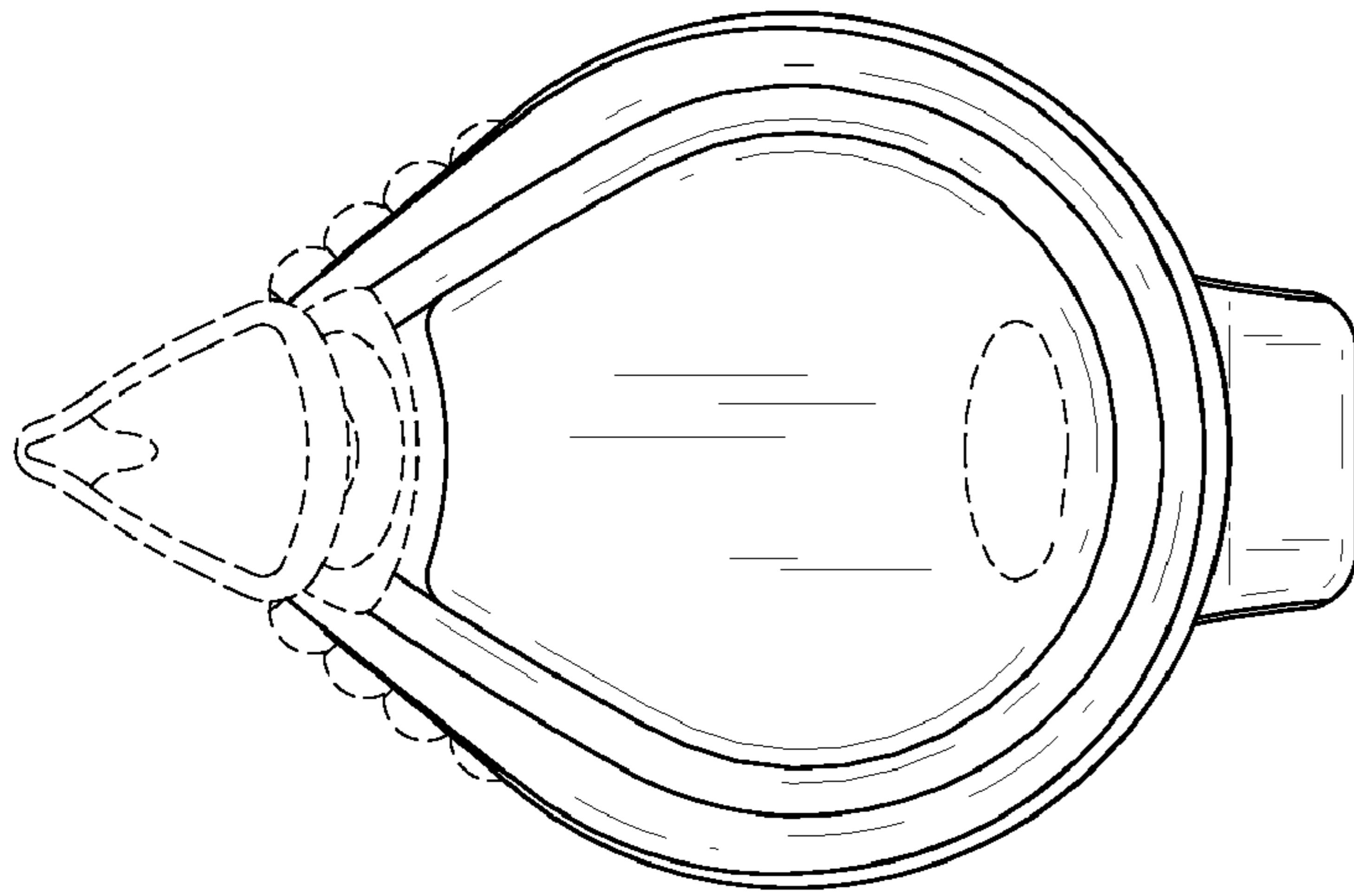


FIG. 4

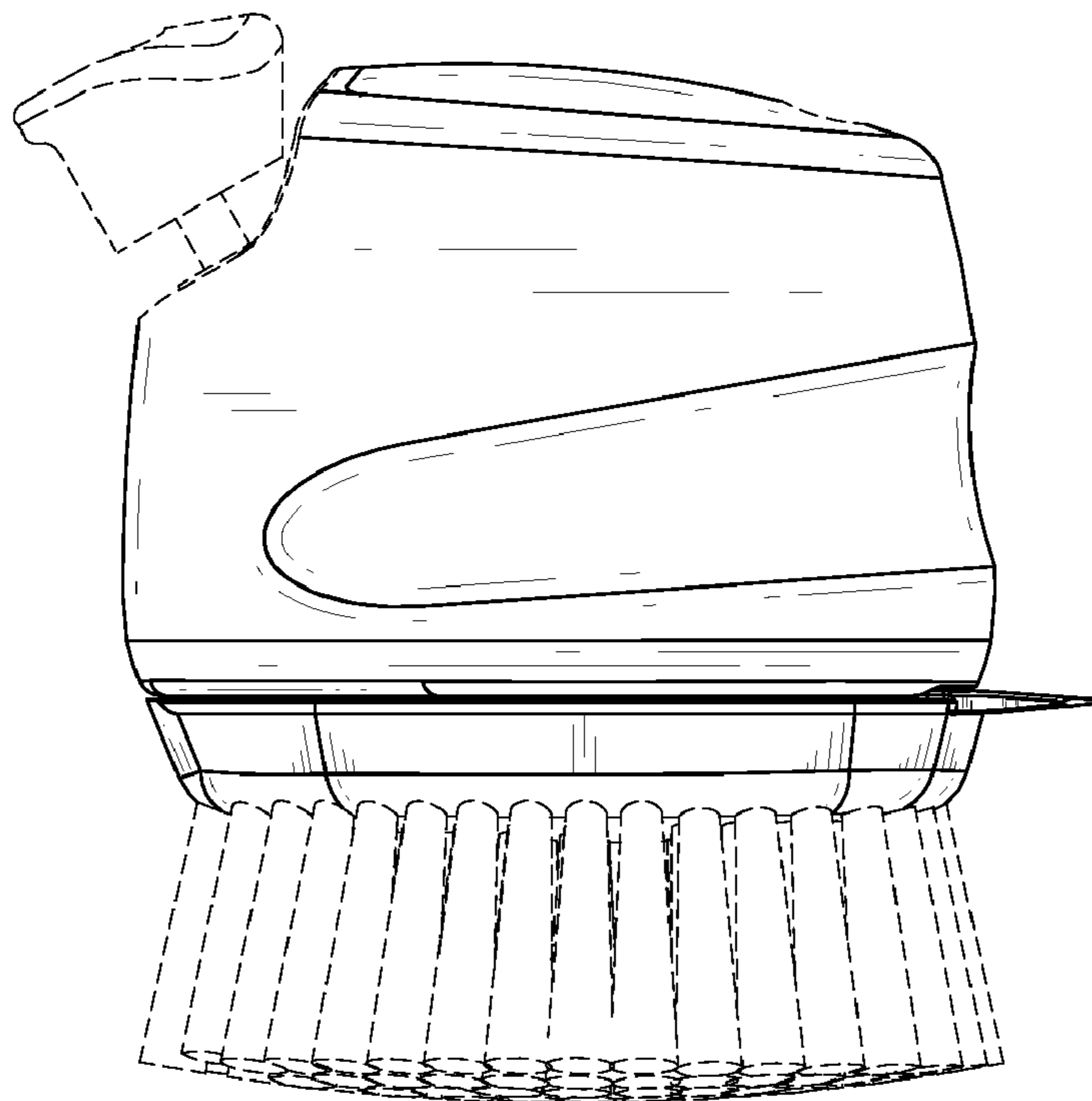


FIG. 5