



US00D574151S

(12) **United States Design Patent**
Reitze

(10) **Patent No.:** **US D574,151 S**
(45) **Date of Patent:** **** Aug. 5, 2008**

(54) **CONTAINER**

(76) **Inventor:** **Frederick T. Reitze**, 2659 W. Arthur Ave., Chicago, IL (US) 60645

(**) **Term:** **14 Years**

(21) **Appl. No.:** **29/273,653**

(22) **Filed:** **Mar. 9, 2007**

Related U.S. Application Data

(63) Continuation-in-part of application No. 29/239,372, filed on Sep. 30, 2005, now Pat. No. Des. 538,041.

(51) **LOC (8) Cl.** **03-01**

(52) **U.S. Cl.** **D3/314**

(58) **Field of Classification Search** D3/303-315;
D19/76; 220/766-769, 797; D6/525; D21/783;
D24/101; D12/407; D32/37, 55; 206/509;
D9/425, 431; 229/122.26, 178

See application file for complete search history.

(56) **References Cited**

U.S. PATENT DOCUMENTS

D108,606 S * 2/1938 Nagel D9/433
2,682,362 A * 6/1954 Larson et al. 229/122.26
D279,085 S * 6/1985 Kaneko D11/155
D342,401 S * 12/1993 Kempton D6/475
D455,979 S * 4/2002 Salenger D11/155
D507,755 S 7/2005 Reitze
D538,041 S 3/2007 Reitze

D562,154 S * 2/2008 Pelletier et al. D9/781
2006/0237341 A1 * 10/2006 McDade 206/509

* cited by examiner

Primary Examiner—Louis S Zarfaz
Assistant Examiner—Eric L Goodman

(57) **CLAIM**

The ornamental design for a container, as shown and described.

DESCRIPTION

FIG. 1 is a perspective view of the first embodiment of my new container.

FIG. 2 is a bottom view of the first embodiment of the container.

FIG. 3 is a perspective view of the second embodiment of my new container.

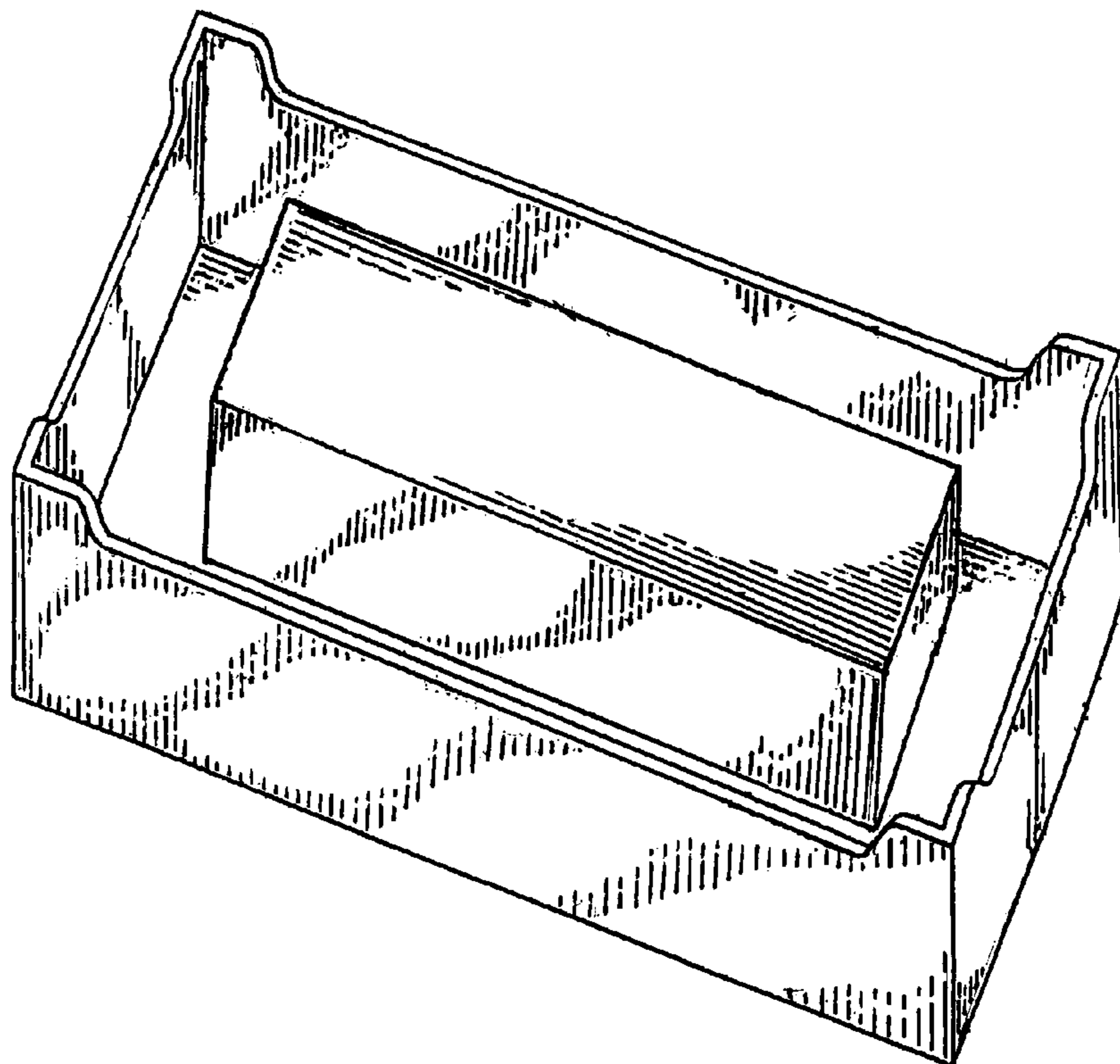
FIG. 4 is a bottom view of the second embodiment of the container.

FIG. 5 is a perspective view of the third embodiment of my new container; and,

FIG. 6 is a bottom view of the third embodiment of my new container.

My container is characterized by an open top; and inside, a centrally located raised portion, which is attached to the bottom panel, is hollow, closed at the top, and open at the bottom.

1 Claim, 6 Drawing Sheets



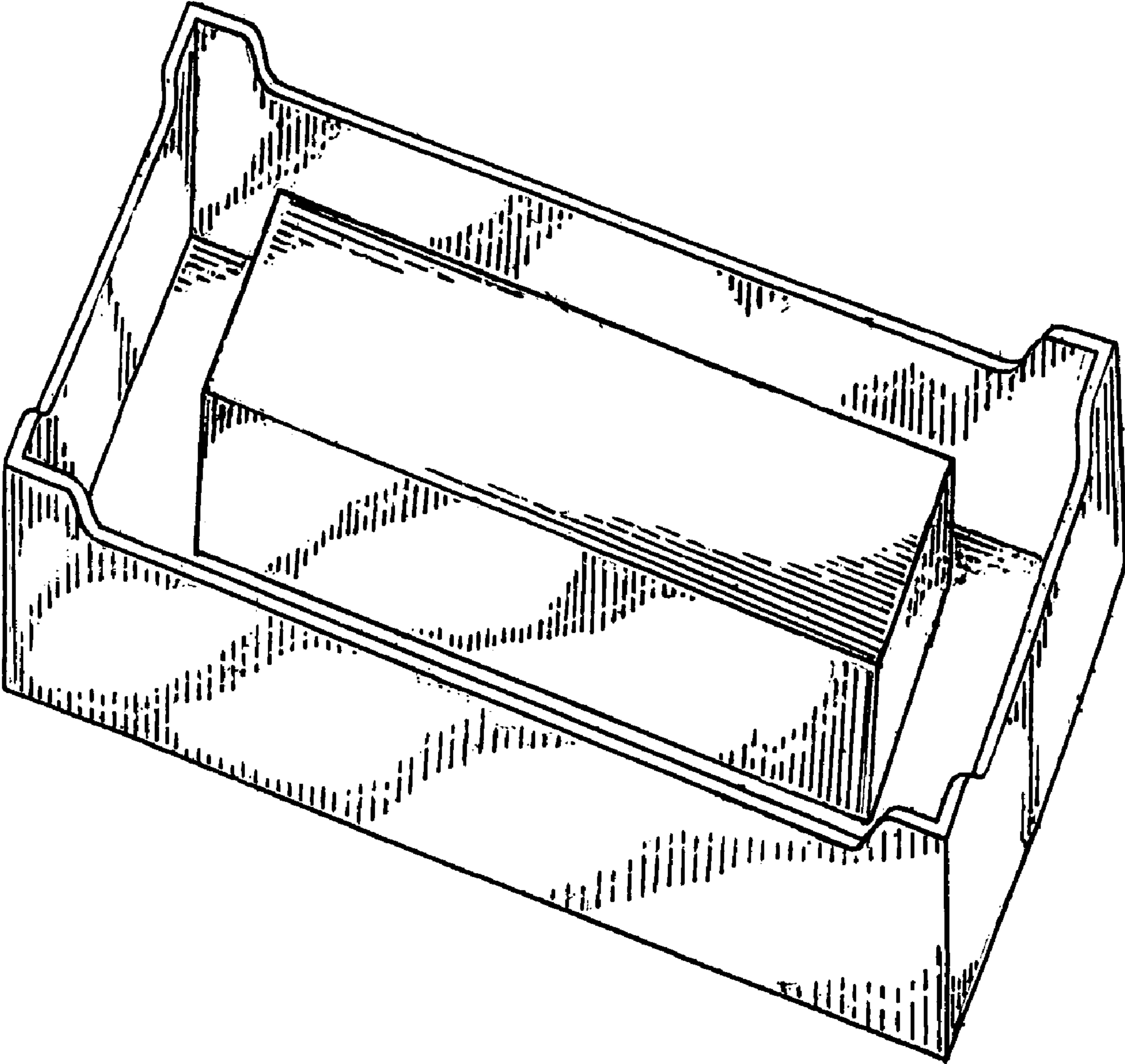


Fig. 1

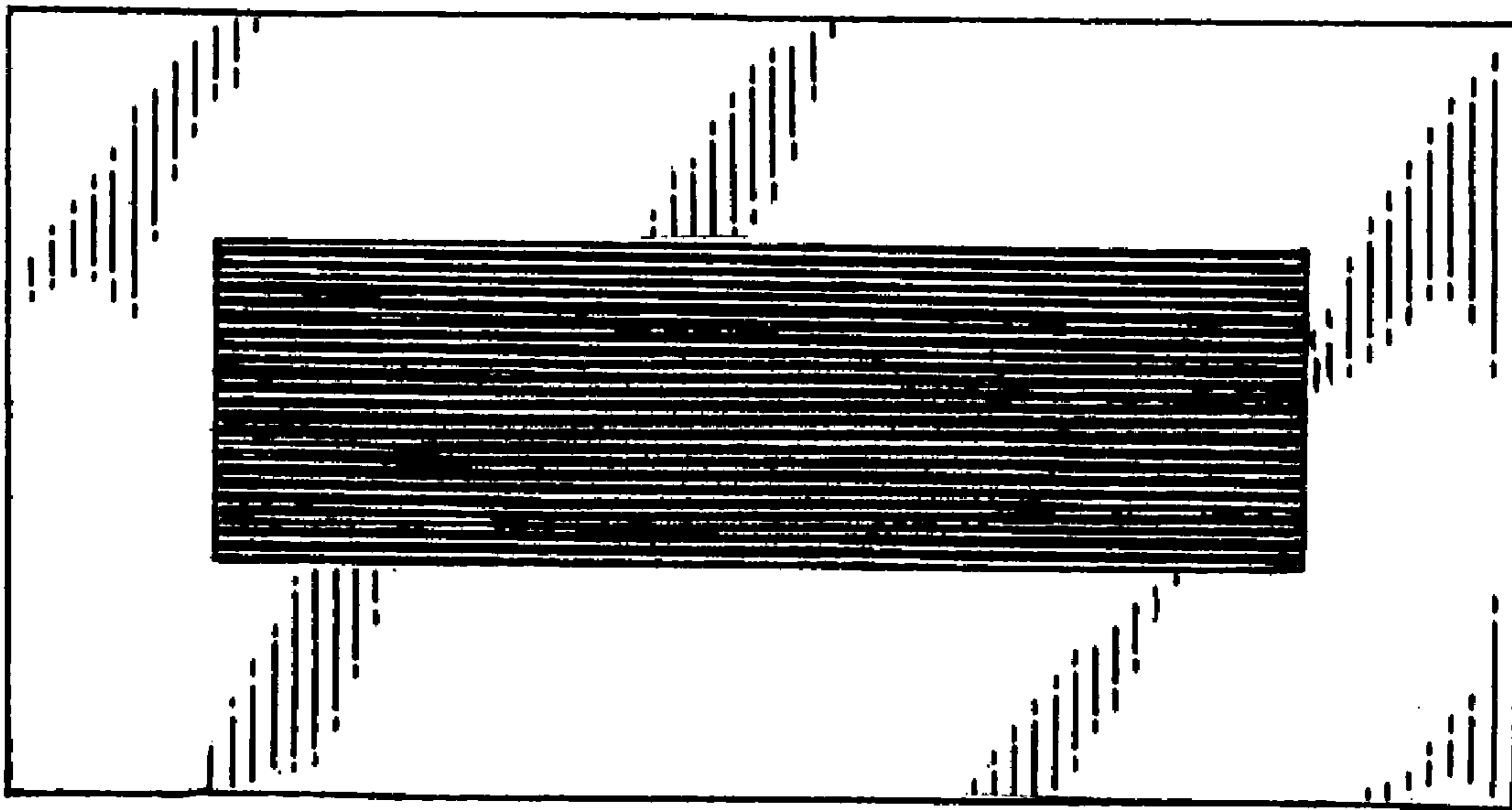


Fig. 2

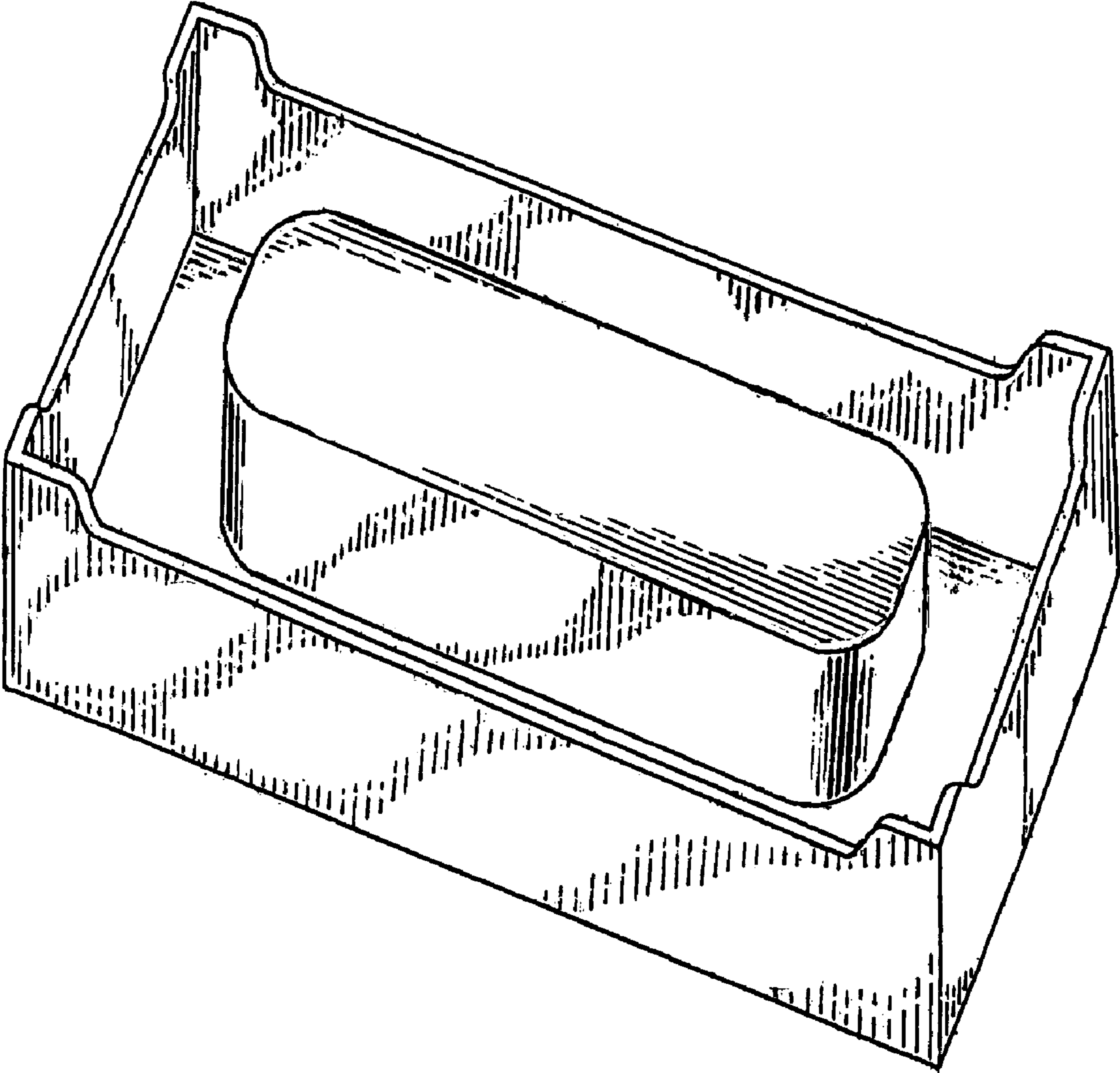


Fig. 3

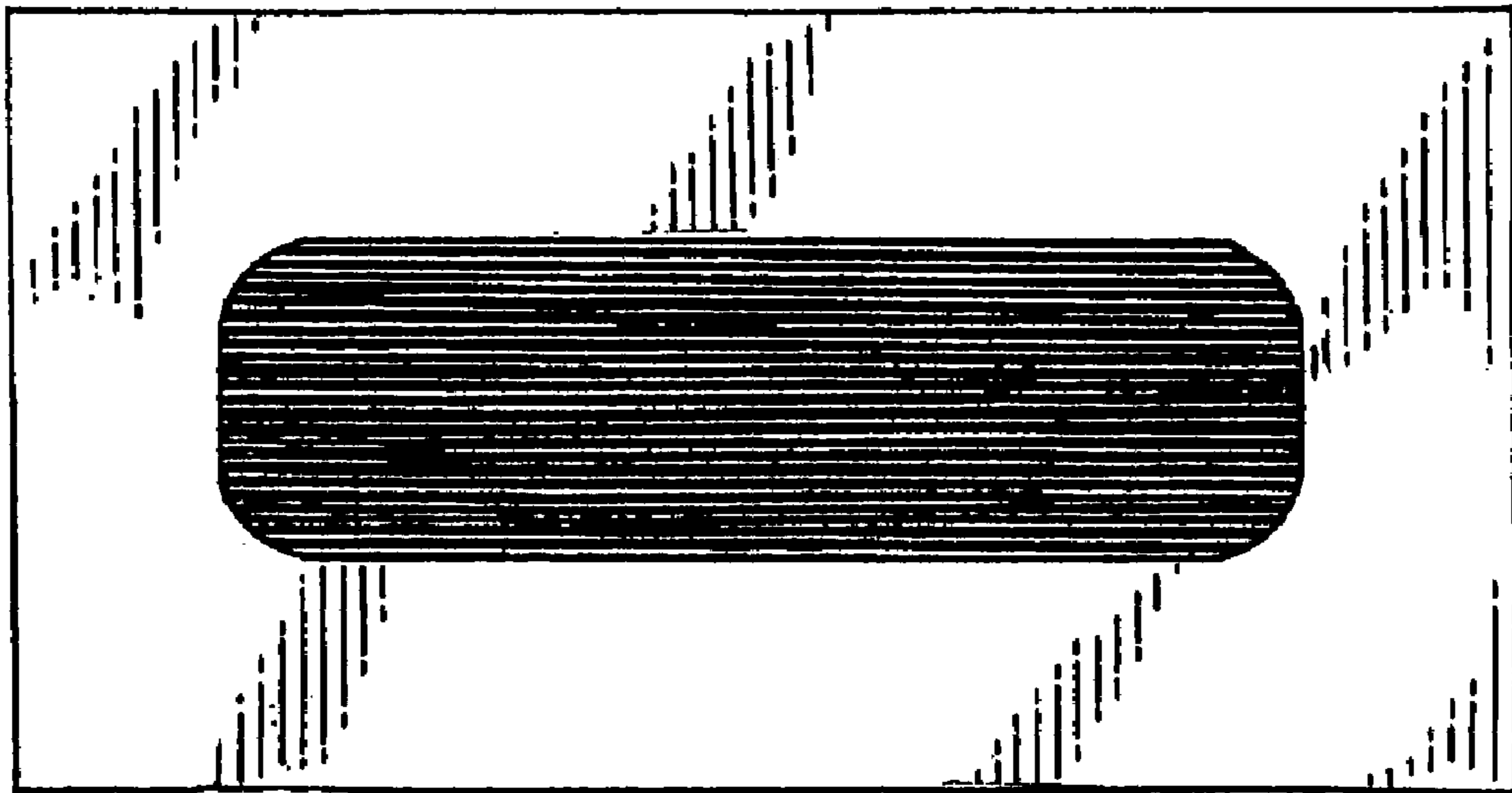


Fig. 4

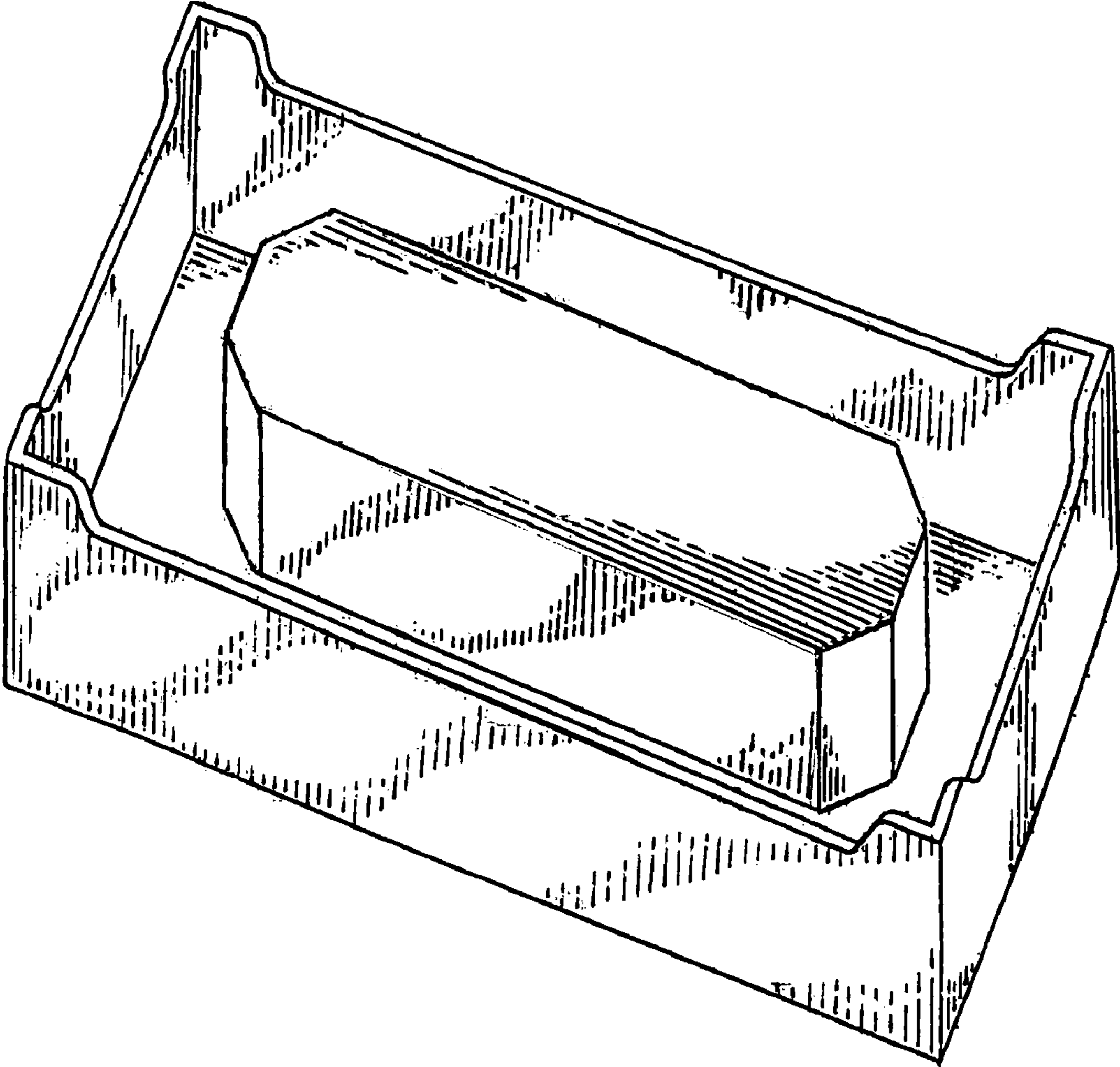


Fig. 5

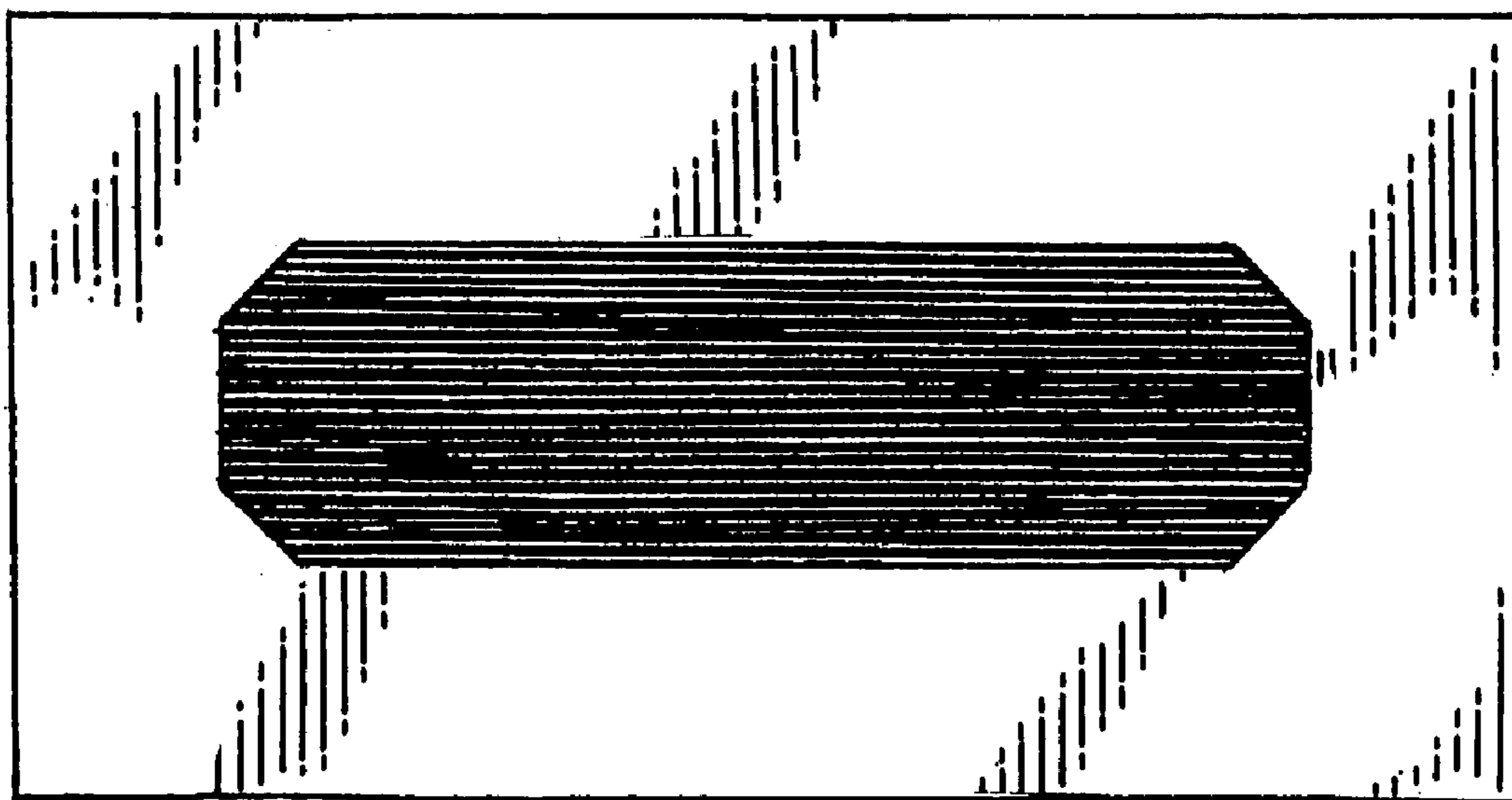


Fig. 6