



US00D574150S

(12) **United States Design Patent**  
**Ross**

(10) **Patent No.:** **US D574,150 S**

(45) **Date of Patent:** **\*\* Aug. 5, 2008**

(54) **CONTAINER**

(75) Inventor: **Peter Ross**, Middlesex (GB)

(73) Assignee: **CP Cases Ltd.**, Isleworth, Middlesex (GB)

(\*\*) Term: **14 Years**

(21) Appl. No.: **29/279,467**

(22) Filed: **May 1, 2007**

(51) **LOC (8) Cl.** ..... **03-01**

(52) **U.S. Cl.** ..... **D3/279; D3/272; D3/294**

(58) **Field of Classification Search** ..... D3/272-274,  
D3/276, 279, 281, 283-284, 286, 291, 294-295,  
D3/302, 905; D6/432, 434, 440; D7/605;  
D12/414.1; D34/19; 190/19, 18 R, 18 A;  
206/349, 372-373, 823

See application file for complete search history.

(56) **References Cited**

**U.S. PATENT DOCUMENTS**

2,439,660	A	*	4/1948	Keil	.....	280/37
D237,135	S	*	10/1975	Wiant et al.	.....	D7/605
D351,502	S	*	10/1994	Weir et al.	.....	D3/272
D374,772	S	*	10/1996	Hotaling et al.	.....	D3/276
D413,439	S	*	9/1999	Bell	.....	D3/272
D415,346	S	*	10/1999	Bertz et al.	.....	D3/272
D462,168	S	*	9/2002	Klemmensen et al.	.....	D3/279
D467,424	S	*	12/2002	Hardigg et al.	.....	D3/279

D467,425 S \* 12/2002 Hardigg et al. .... D3/279  
D467,426 S \* 12/2002 Hardigg et al. .... D3/279

\* cited by examiner

*Primary Examiner*—Philip Hyder

*Assistant Examiner*—Roselynn Cody

(74) *Attorney, Agent, or Firm*—Christie, Parker & Hale, LLP

(57) **CLAIM**

The ornamental design for container, as shown and described.

**DESCRIPTION**

FIG. 1 is a perspective view of the container from above and from one end;

FIG. 2 is a perspective view thereof from above and from the other end;

FIG. 3 is a perspective view thereof from below and from one end;

FIG. 4 is a perspective view thereof from below and from the other end;

FIG. 5 is a front view thereof;

FIG. 6 is a rear view thereof;

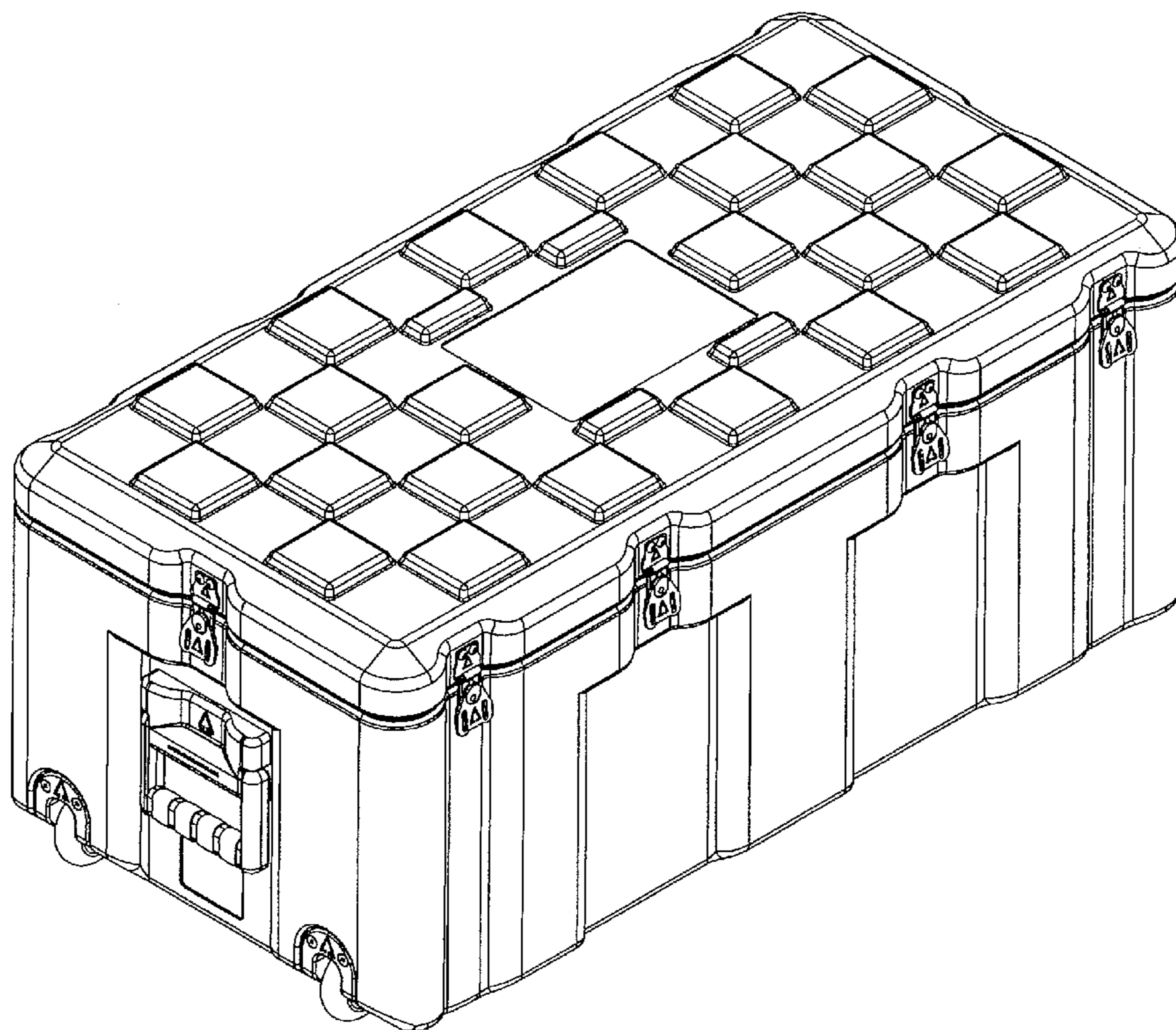
FIG. 7 is a top plan view thereof;

FIG. 8 is a bottom plan view thereof;

FIG. 9 is a view thereof from on end; and,

FIG. 10 is a view thereof from the other end.

**1 Claim, 10 Drawing Sheets**



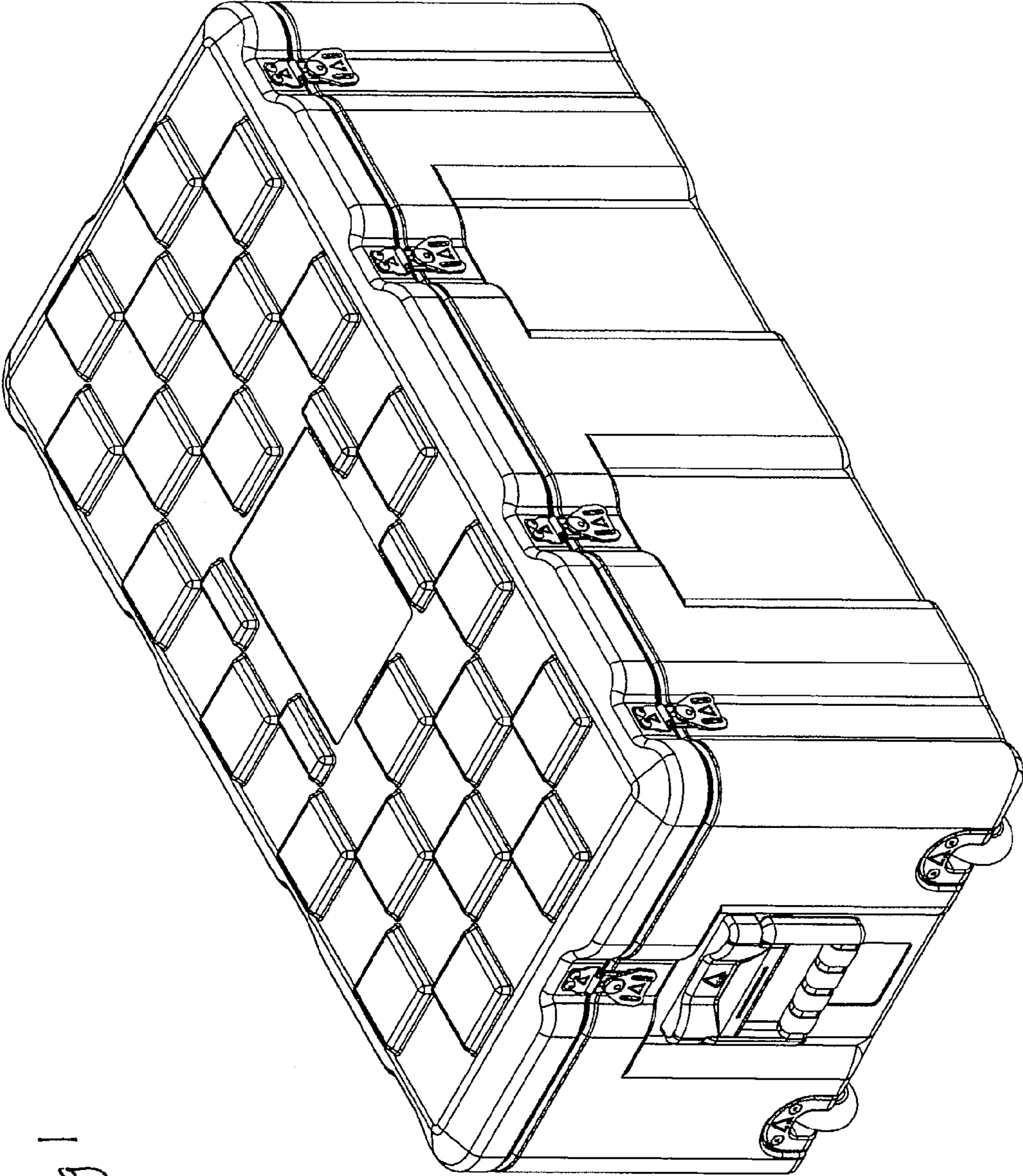


Fig 1

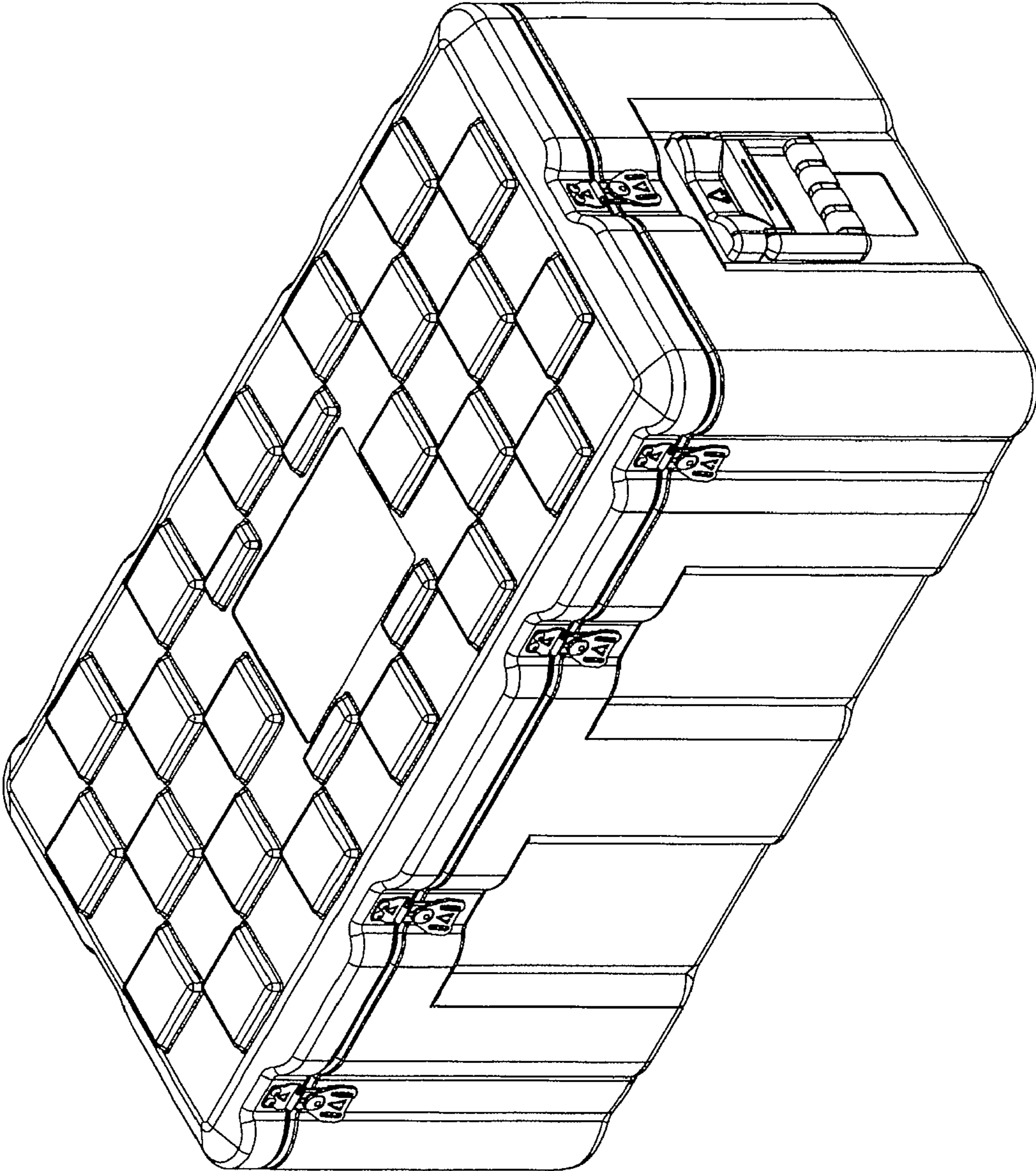


Fig 2

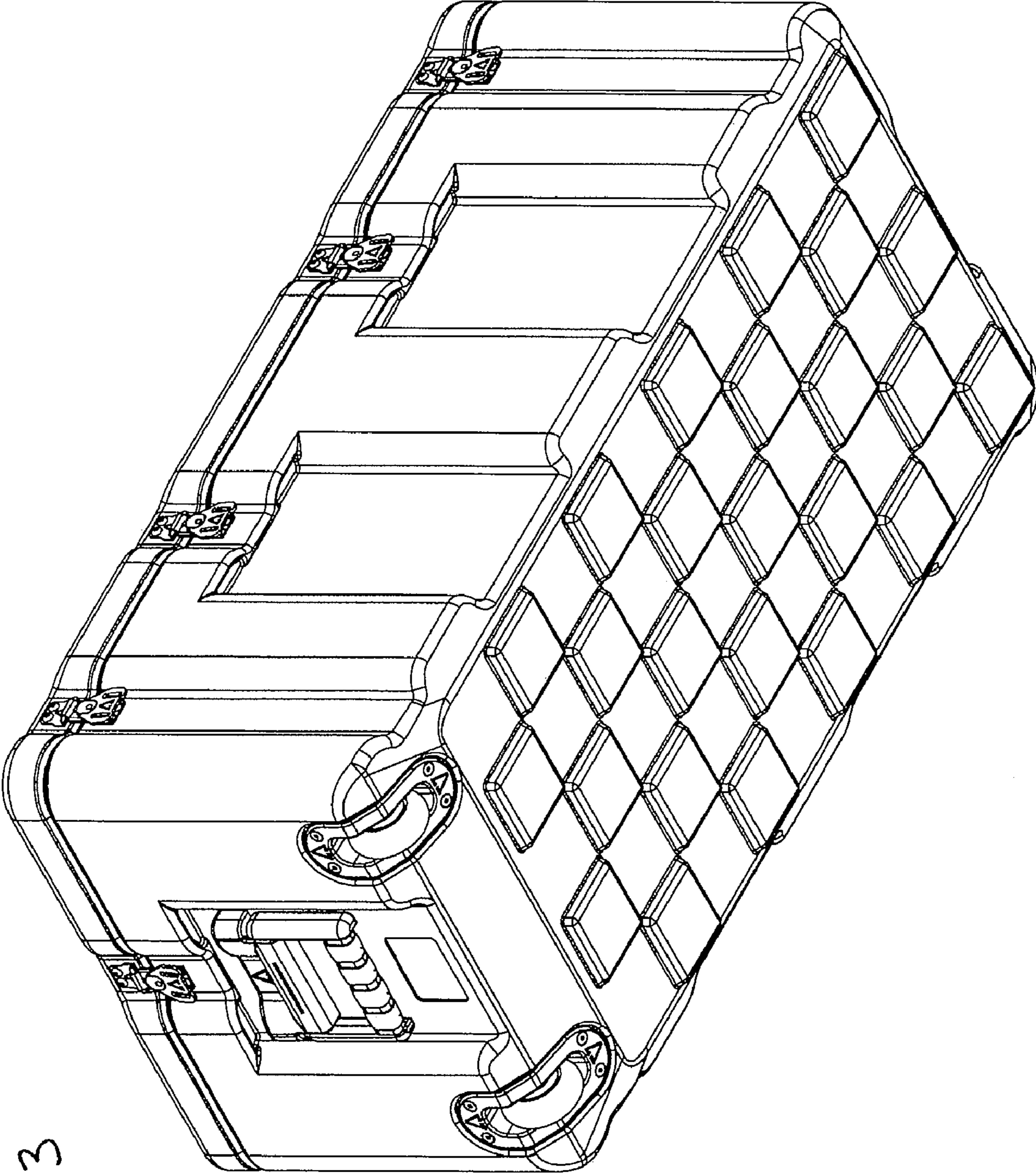


Fig 3

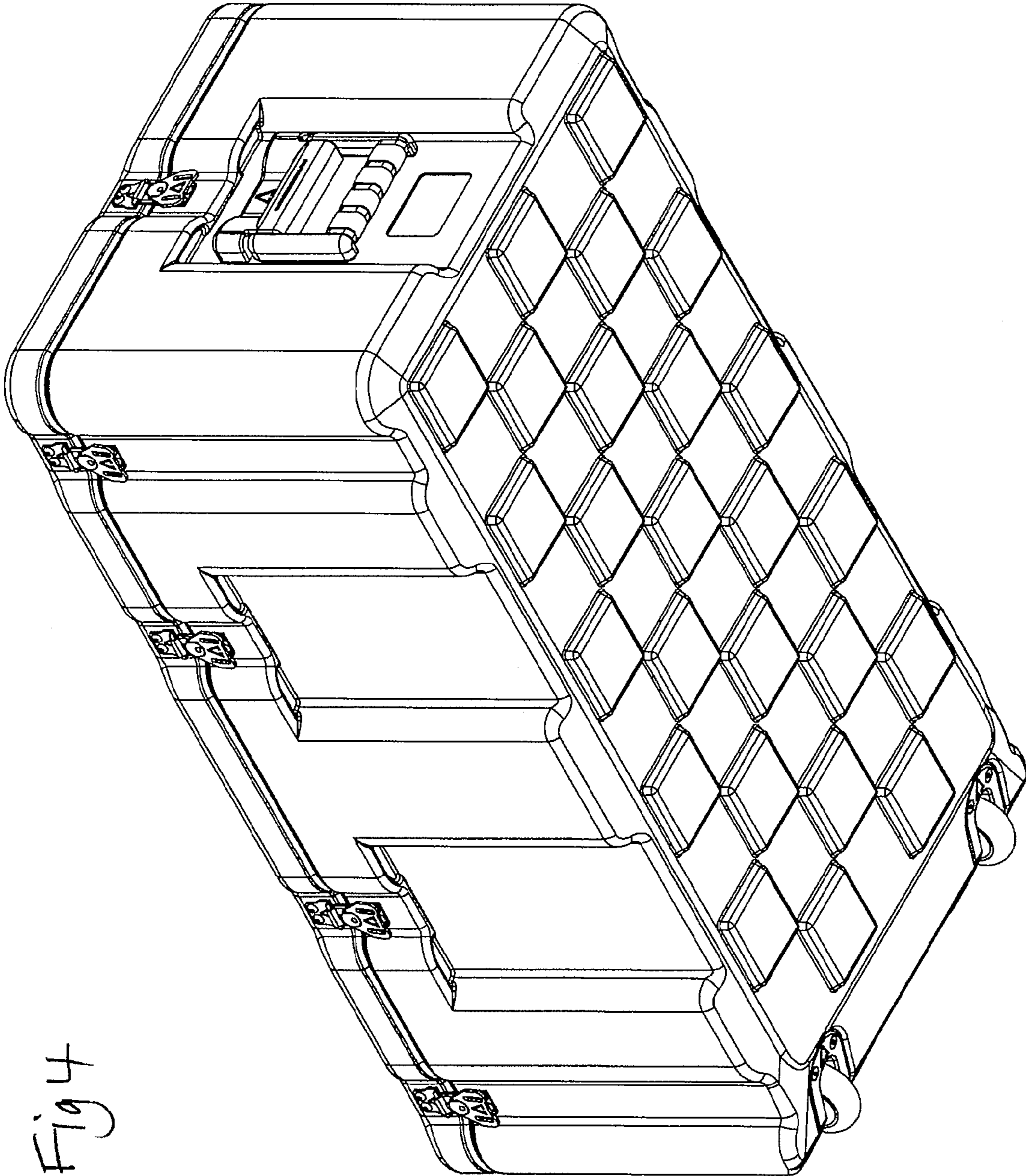
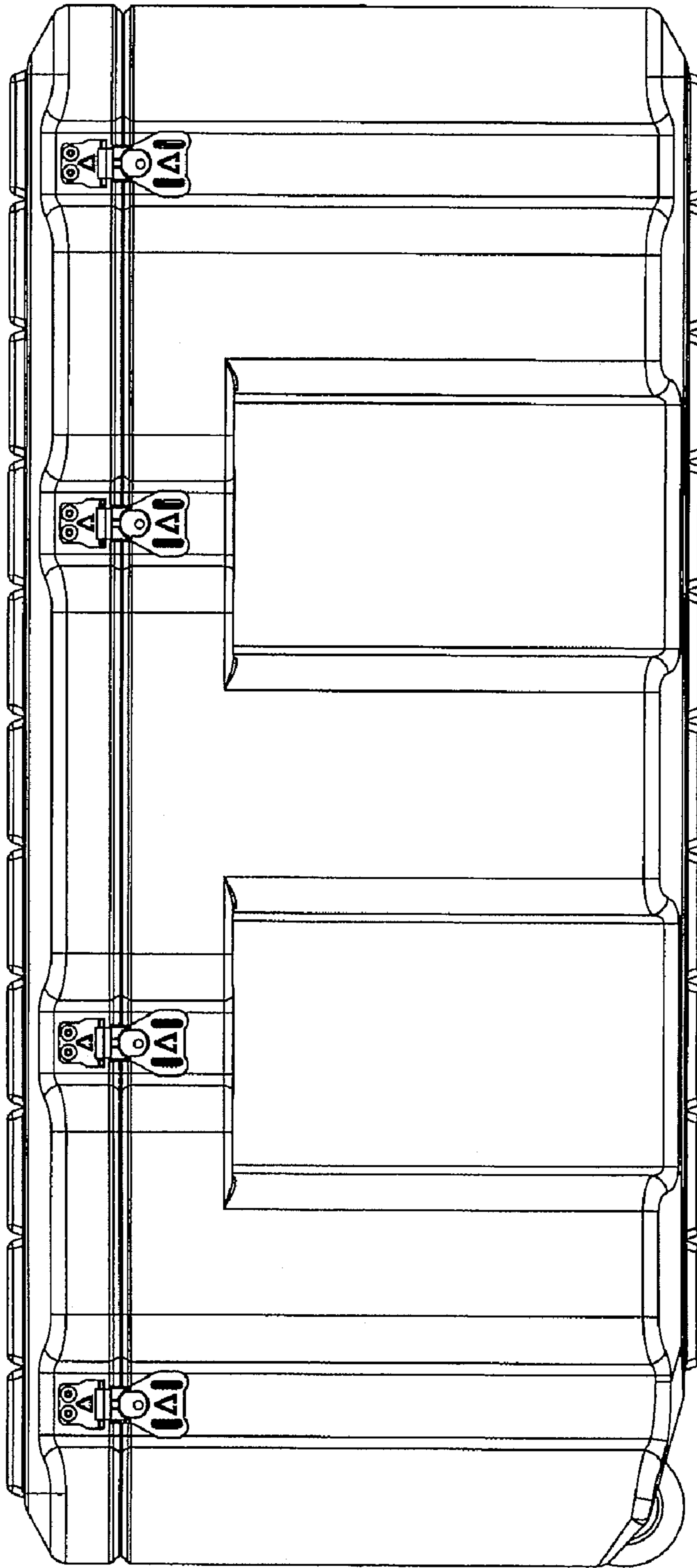


Fig 4

Fig 5



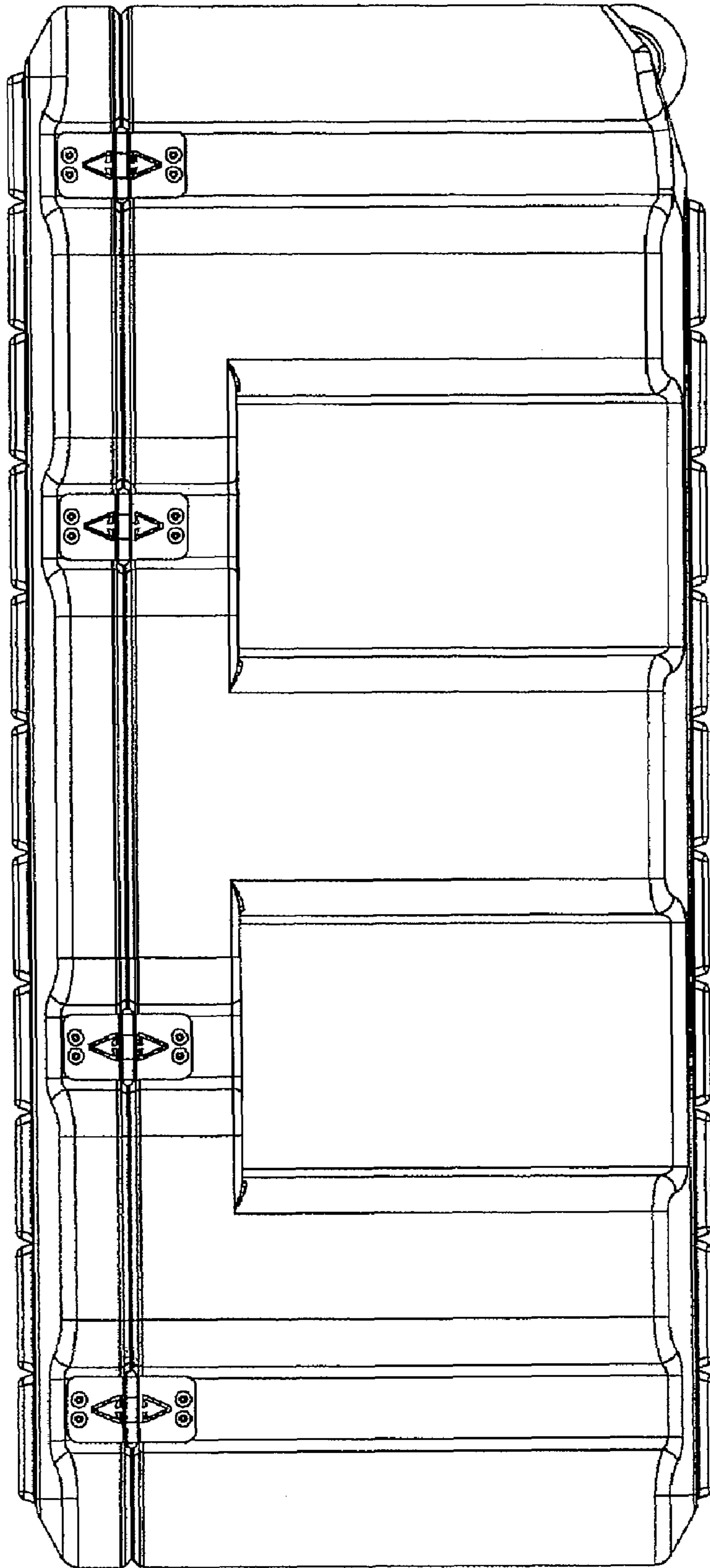


Fig 6

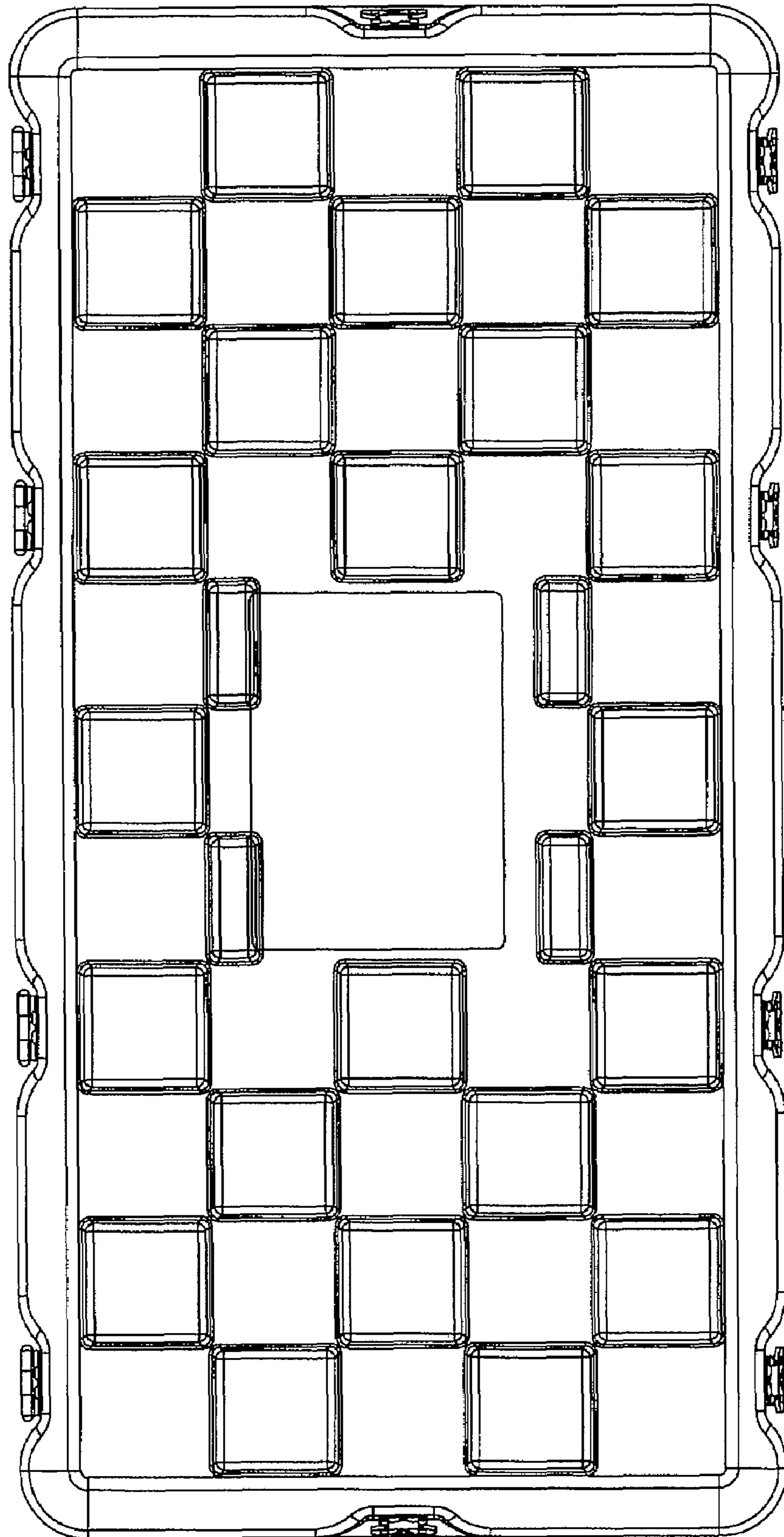


Fig 7



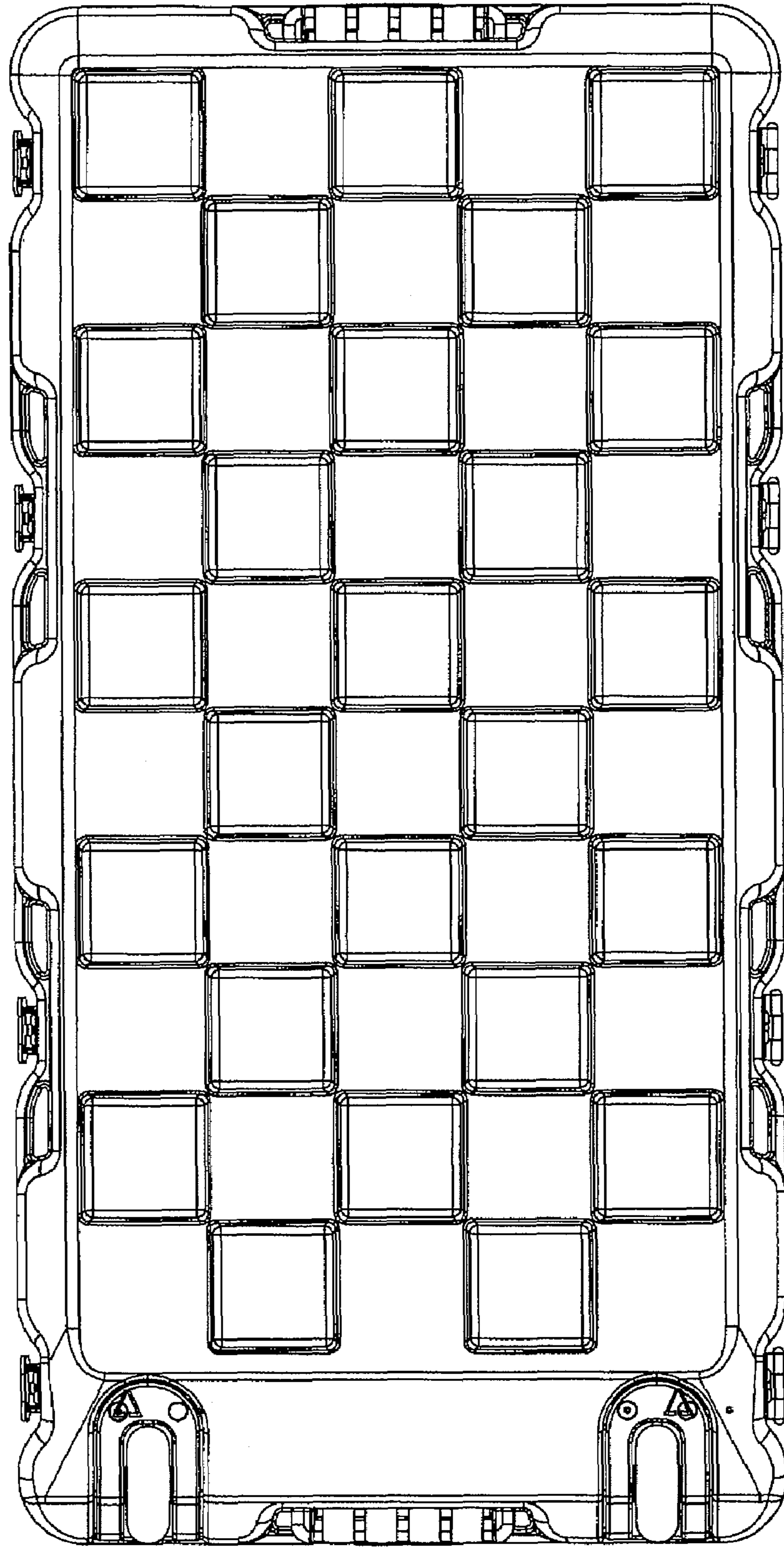


Fig 8

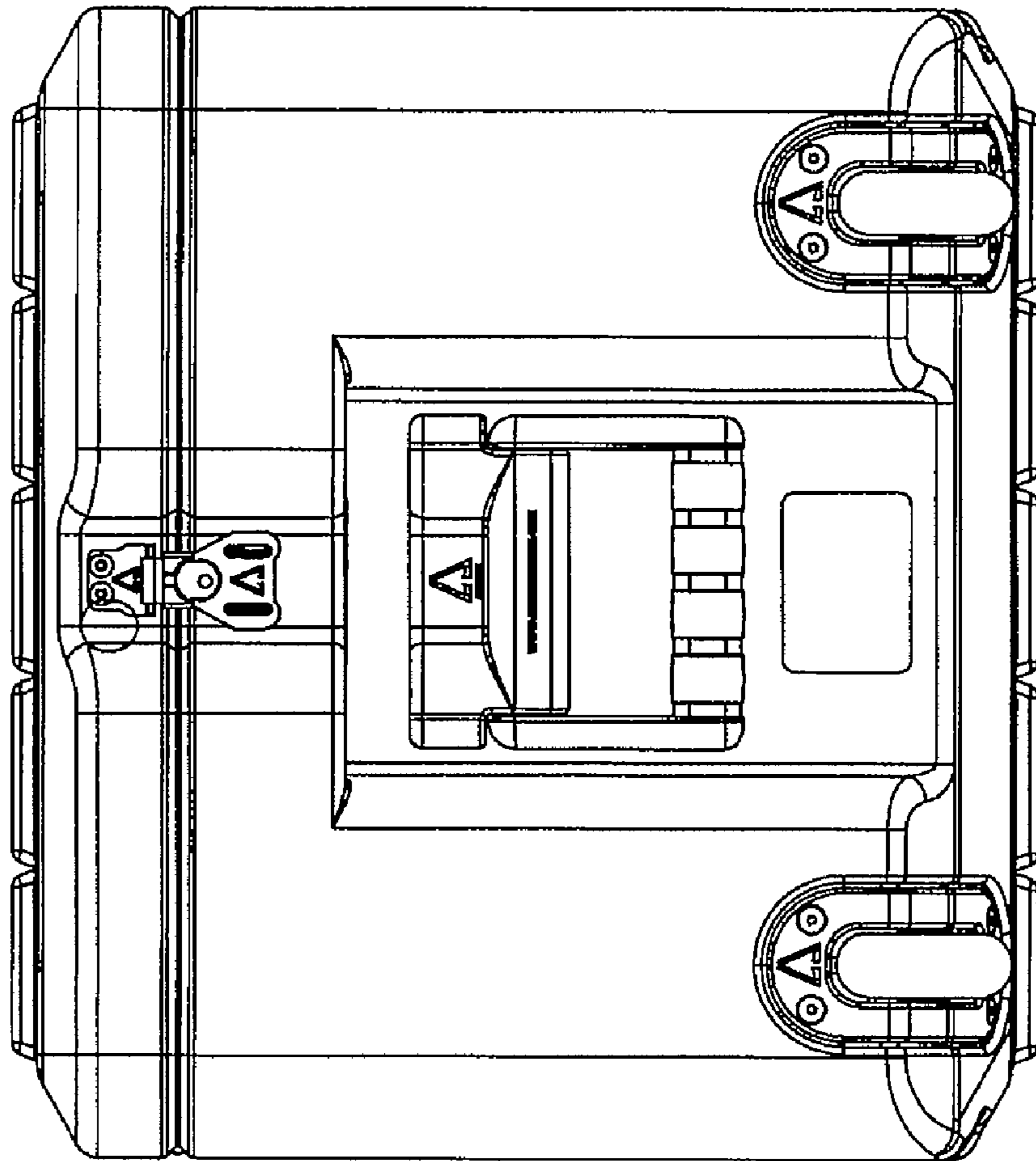


Fig 9

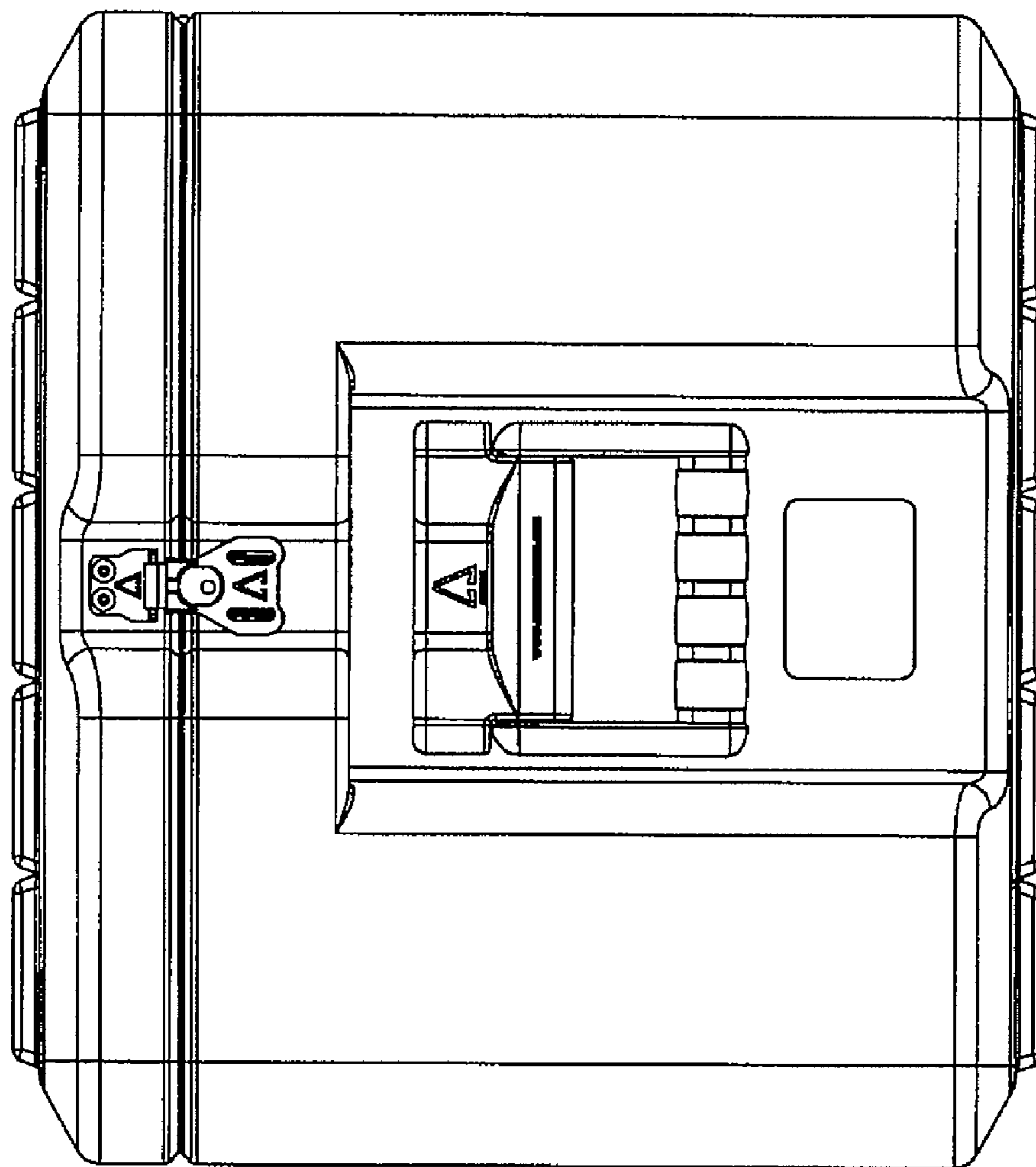


Fig 10