



US00D574147S

(12) **United States Design Patent**
Zusman

(10) **Patent No.:** **US D574,147 S**

(45) **Date of Patent:** **** Aug. 5, 2008**

(54) **HOLSTER FOR A GUN MAGAZINE**

2006/0236583 A1 10/2006 Pikielny

(76) Inventor: **Nisim Zusman**, Meshek # 87, Moshav
Ein Ayala, Doar na Chof Hacarmel
30825 (IL)

(**) Term: **14 Years**

(21) Appl. No.: **29/274,407**

(22) Filed: **Apr. 23, 2007**

(51) **LOC (8) Cl.** **03-01**

(52) **U.S. Cl.** **D3/222**

(58) **Field of Classification Search** D3/222-223,
D3/215, 221, 224, 230; 224/911, 914, 672,
224/931, 674, 239, 236, 237, 245, 240-242

See application file for complete search history.

(56) **References Cited**

U.S. PATENT DOCUMENTS

3,952,930	A	4/1976	Baldocchi	
4,662,552	A	5/1987	Uyehara	
5,174,482	A *	12/1992	Rogers et al.	224/239
5,419,472	A	5/1995	Hellweg et al.	
5,484,093	A *	1/1996	Hellweg et al.	224/672
5,865,357	A	2/1999	Goodwin	
6,154,997	A	12/2000	Aluotto et al.	
6,202,908	B1 *	3/2001	Groover	224/239
D507,104	S	7/2005	Gregory et al.	D3/222
D508,318	S	8/2005	Gregory et al.	D3/222
7,177,625	B2	10/2006	Pikielny	
7,258,259	B1	8/2007	Owens	

OTHER PUBLICATIONS

Springfield Armory, XD Point and Shoot Ergonomics, Jan. 2007, front cover, rear cover and pp. 1-34.

* cited by examiner

Primary Examiner—Catherine R. Oliver

(74) *Attorney, Agent, or Firm*—Morgan Lewis & Bockius LLP

(57) **CLAIM**

The ornamental design for a holster for a gun magazine, as shown and described.

DESCRIPTION

FIG. 1 is a perspective view of a holster for a gun magazine in accordance with my new design;

FIG. 2 is a left side view thereof, the right side being a mirror image;

FIG. 3 is a front view thereof;

FIG. 4 is a top view thereof;

FIG. 5 is a rear view thereof; and,

FIG. 6 is a bottom view thereof.

The broken lines immediately adjacent the shaded areas represent the bounds of the claim, and all other broken lines are for illustrative purposes only. None of the broken lines form a part of the claimed design.

1 Claim, 3 Drawing Sheets

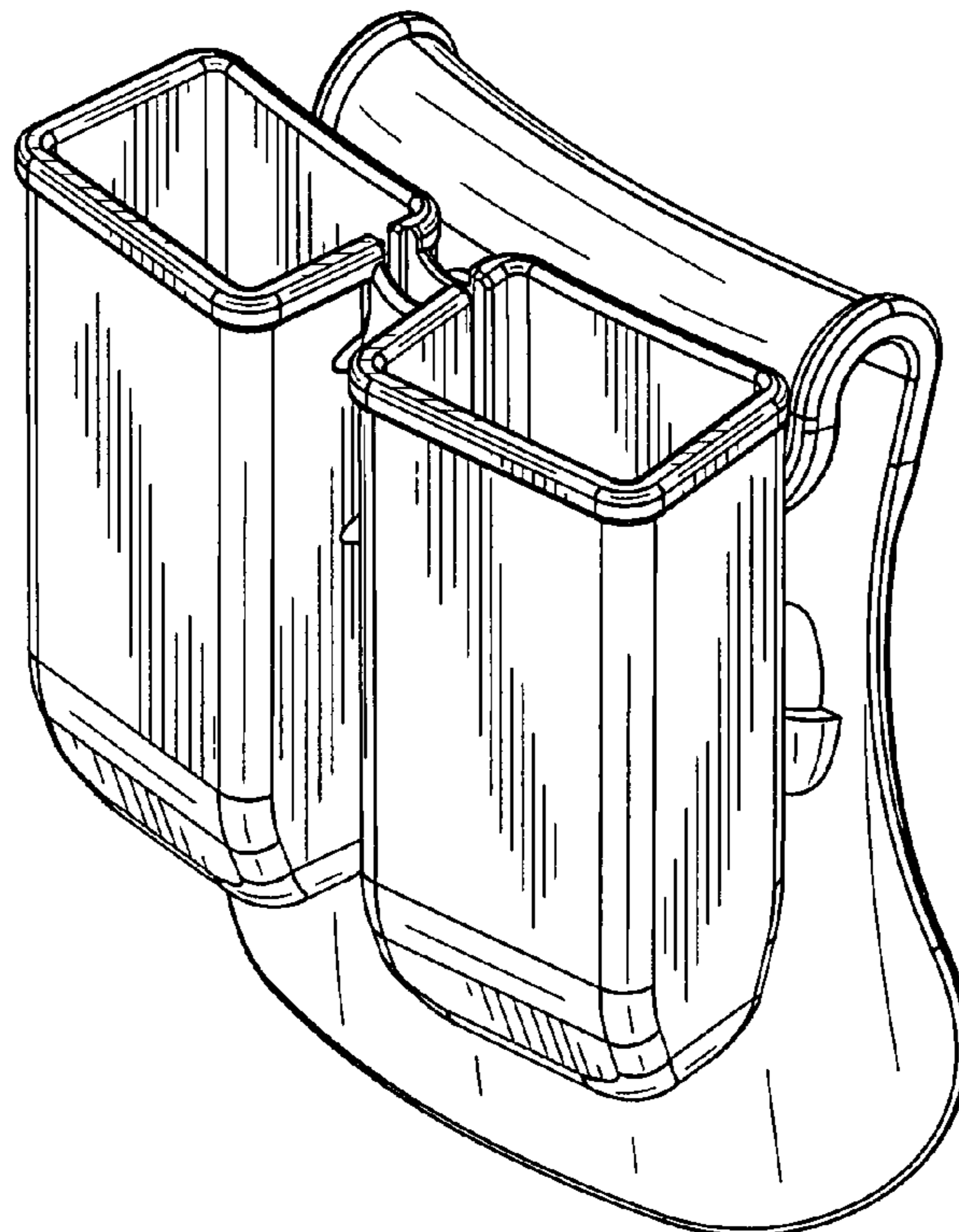


FIG. 1

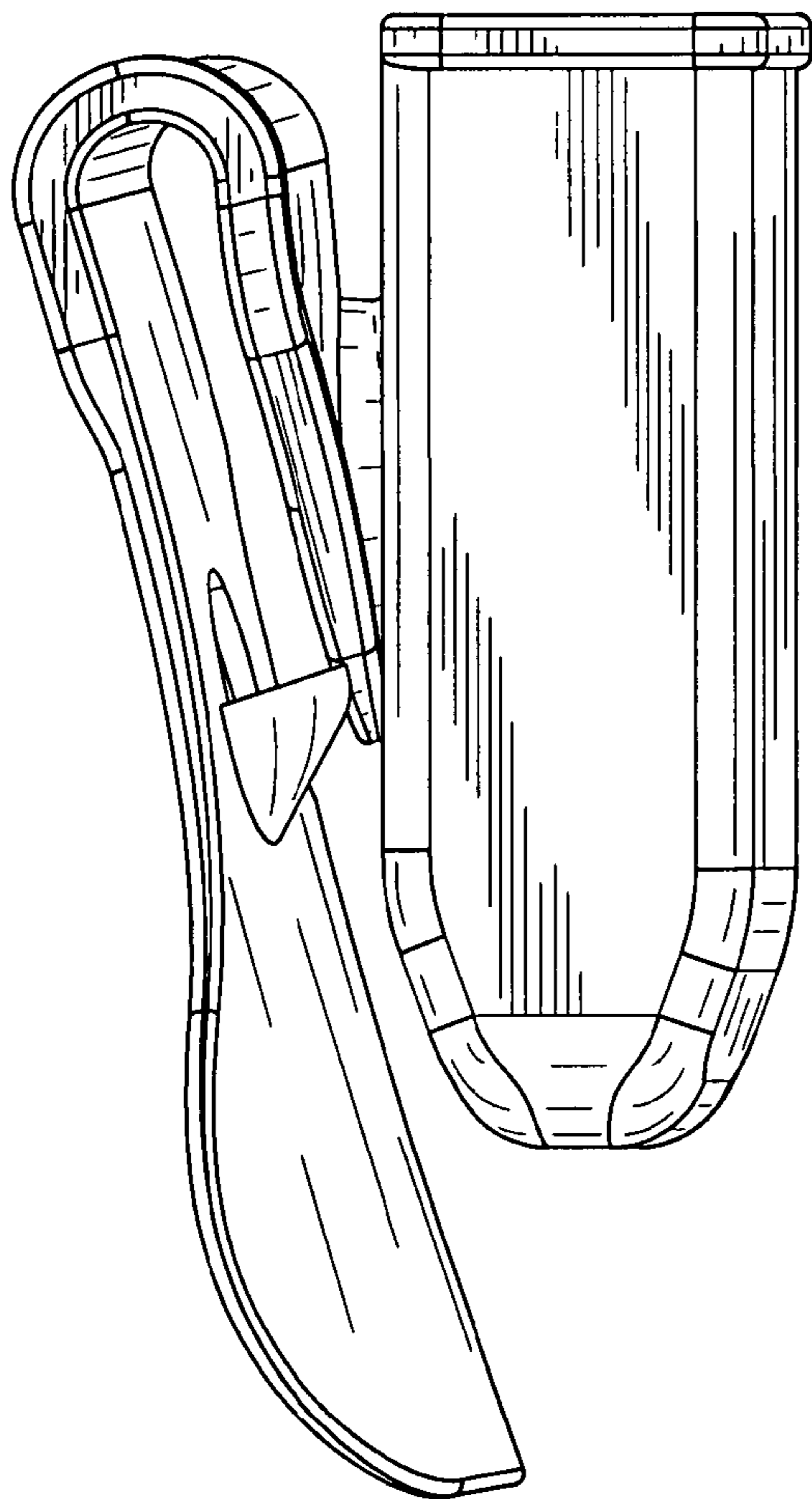
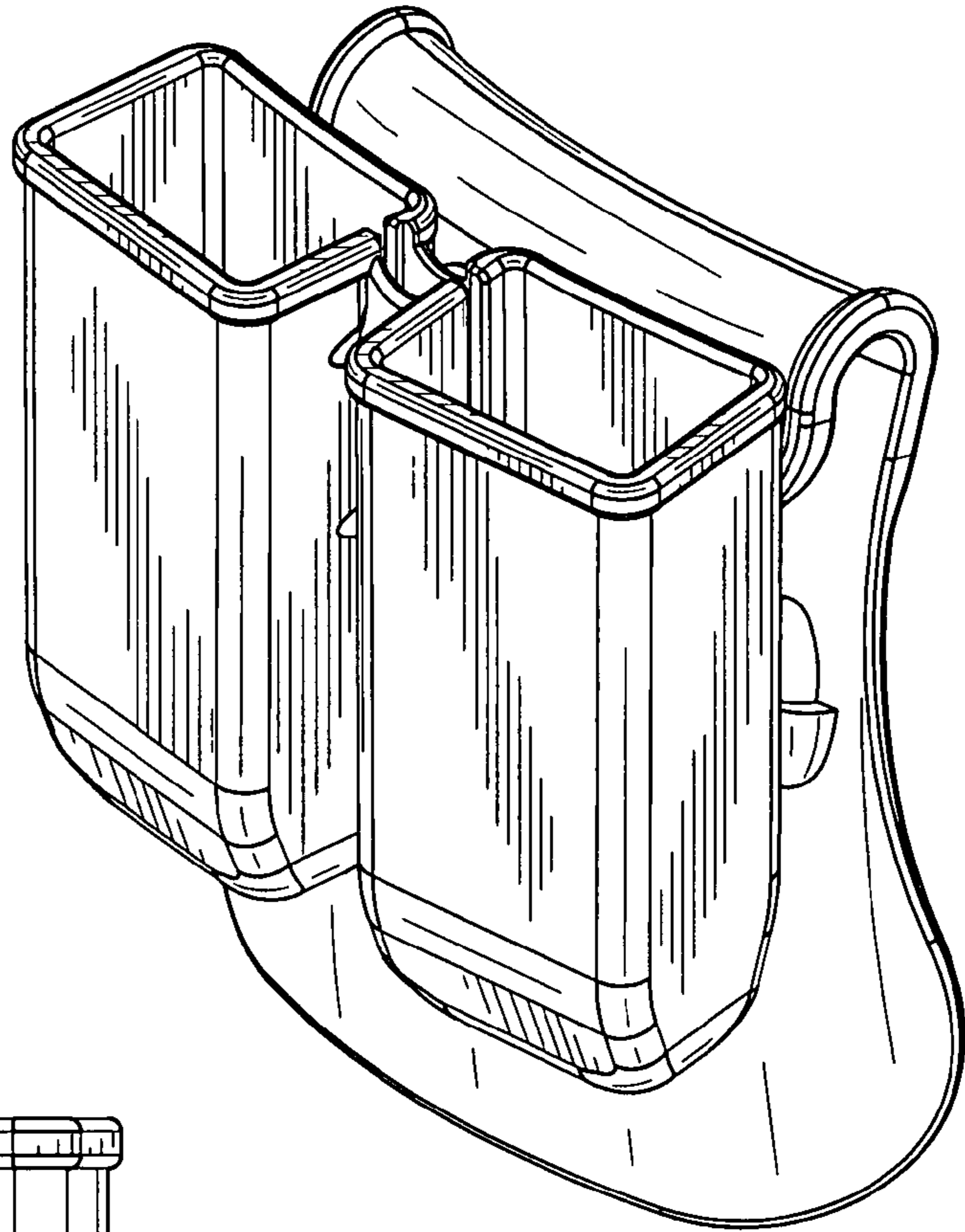


FIG. 2

FIG. 3

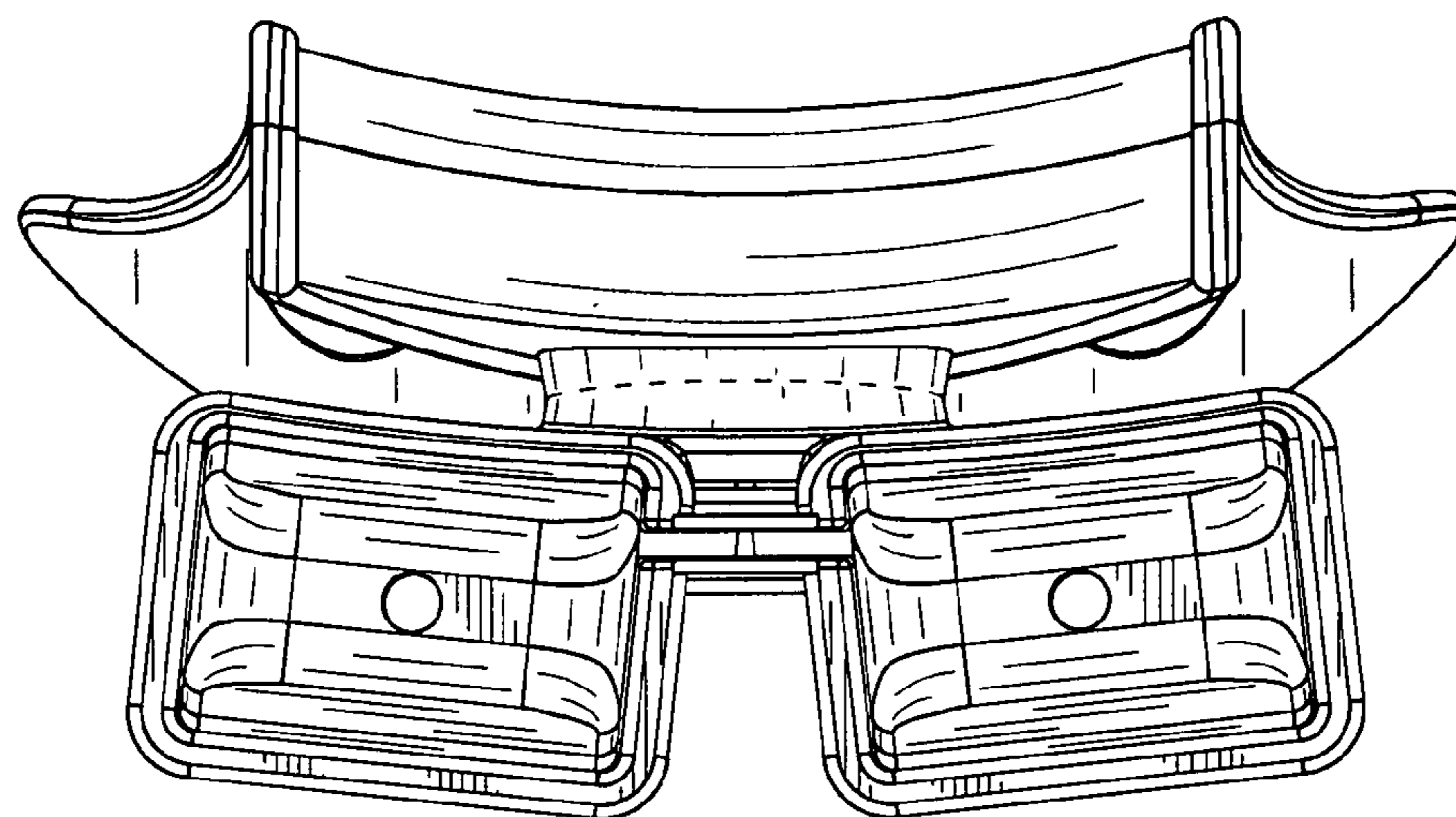
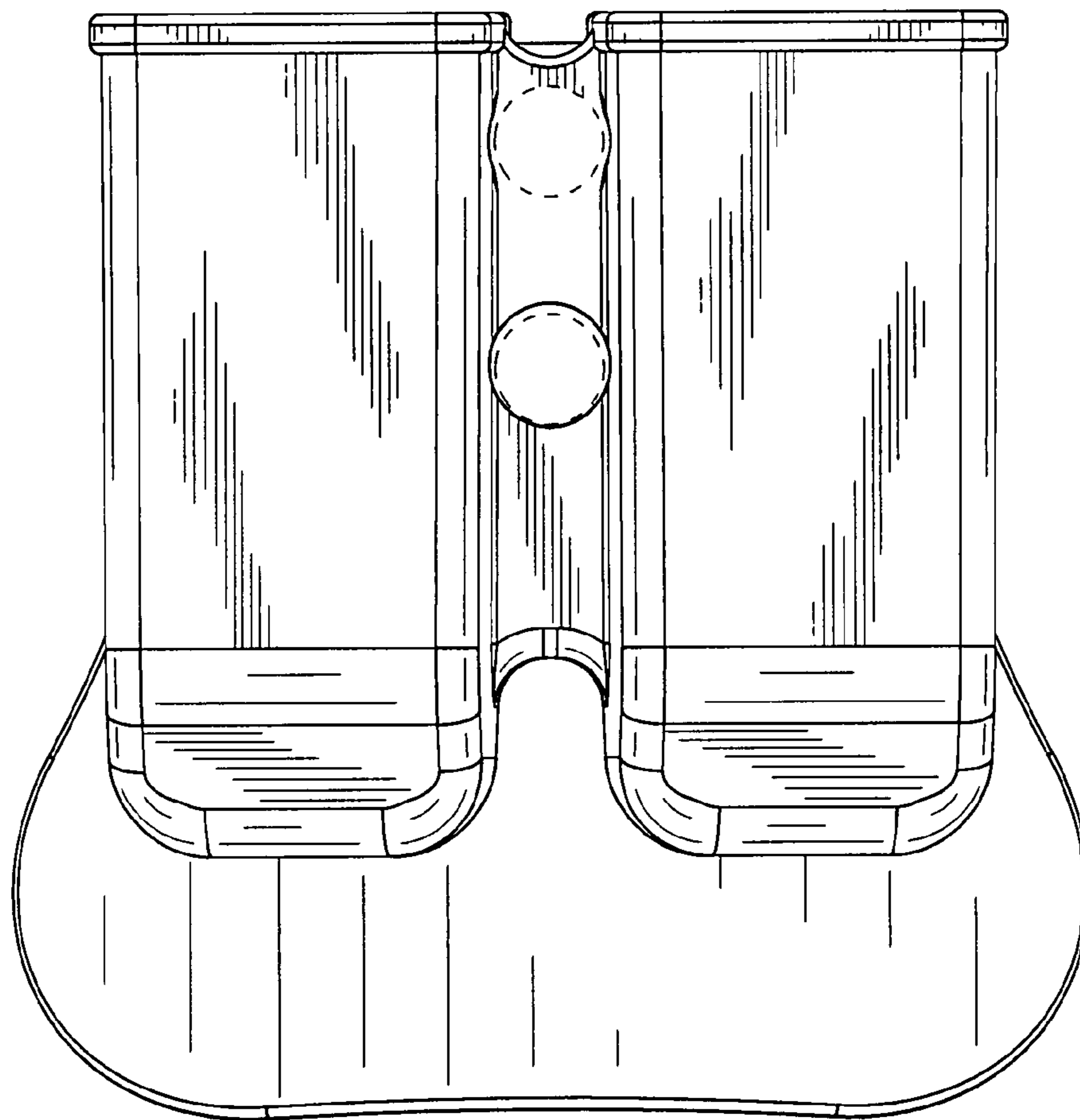


FIG. 4

FIG. 5

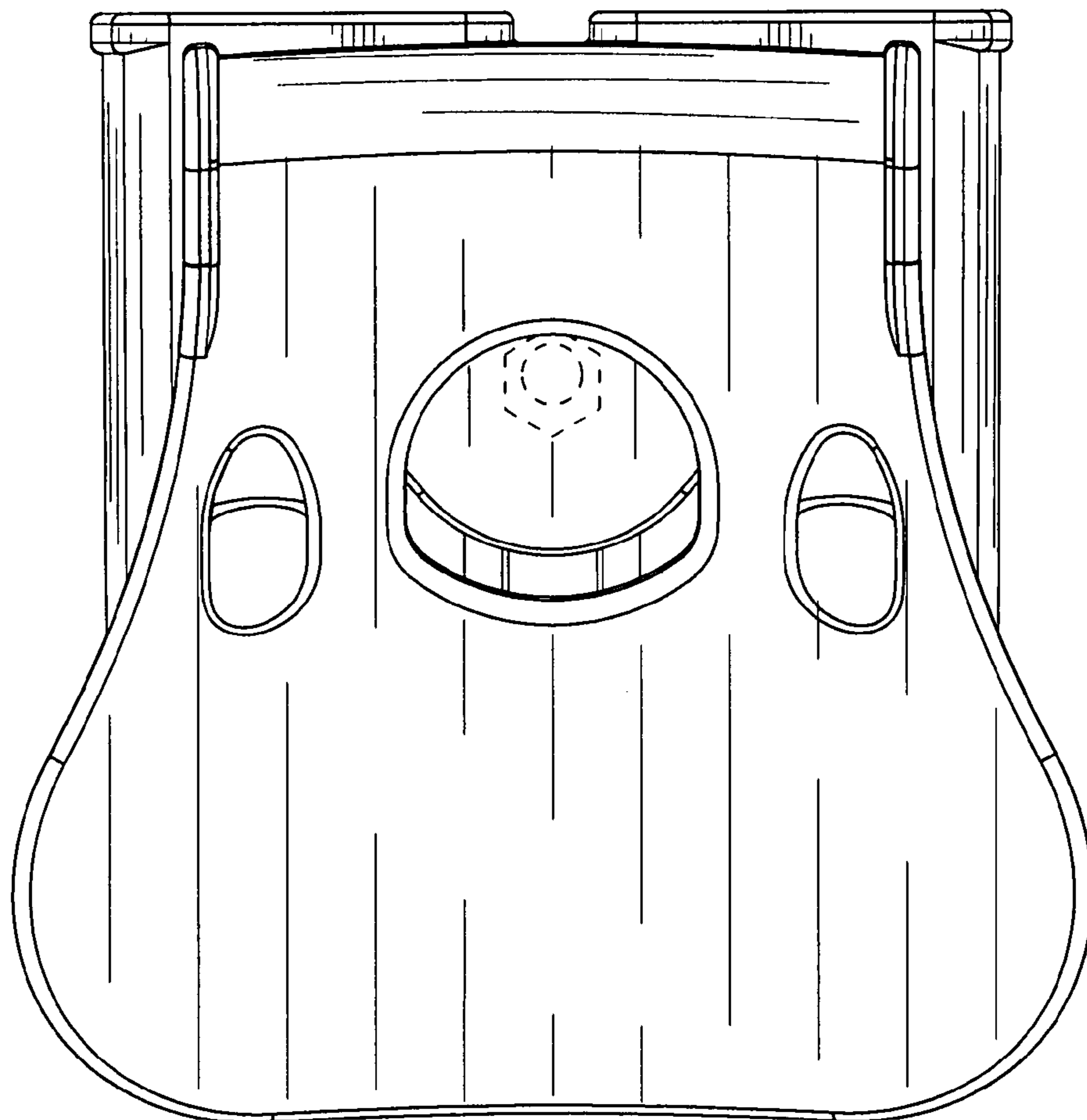


FIG. 6

