



US00D574143S

(12) **United States Design Patent**
Smith et al.

(10) **Patent No.:** **US D574,143 S**
(45) **Date of Patent:** **** Aug. 5, 2008**

(54) **PORTION OF AN UMBRELLA BASE**

D516,297 S 3/2006 Smith et al.
D540,534 S * 4/2007 Chan D3/7

(75) Inventors: **James C. Smith**, Hayward, CA (US);
David J. Taylor, 129 Sugar Creek La.,
Alamo, CA (US) 94507

* cited by examiner

Primary Examiner—Louis S Zarfaz
Assistant Examiner—Anhdao Doan

(73) Assignee: **David J. Taylor**, Danville, CA (US)

(74) *Attorney, Agent, or Firm*—Donald L. Beeson; Beeson
Skinner Beverly, LLC

(**) Term: **14 Years**

(57) **CLAIM**

(21) Appl. No.: **29/289,063**

The ornamental design for a portion of an umbrella base, as
shown and described.

(22) Filed: **Jul. 3, 2007**

(51) **LOC (8) Cl.** **03-03**

(52) **U.S. Cl.** **D3/10**

(58) **Field of Classification Search** D3/5-17;
135/15.1, 16, 98, 99, 114, 116, 120.1, 120.2,
135/120.3, 909; 248/188.4, 188.5, 188.6,
248/514, 519, 523, 535; D8/355, 387, 396;
D16/244, 245

See application file for complete search history.

DESCRIPTION

FIG. 1 is a top perspective view of a portion of an umbrella base showing our new design;

FIG. 2 is a left side elevational view thereof, the right side and front and rear being a mirror image;

FIG. 3 is a top plan view thereof;

FIG. 4 is an enlarged side elevational view thereof; and,

FIG. 5 is an enlarged top plan view thereof.

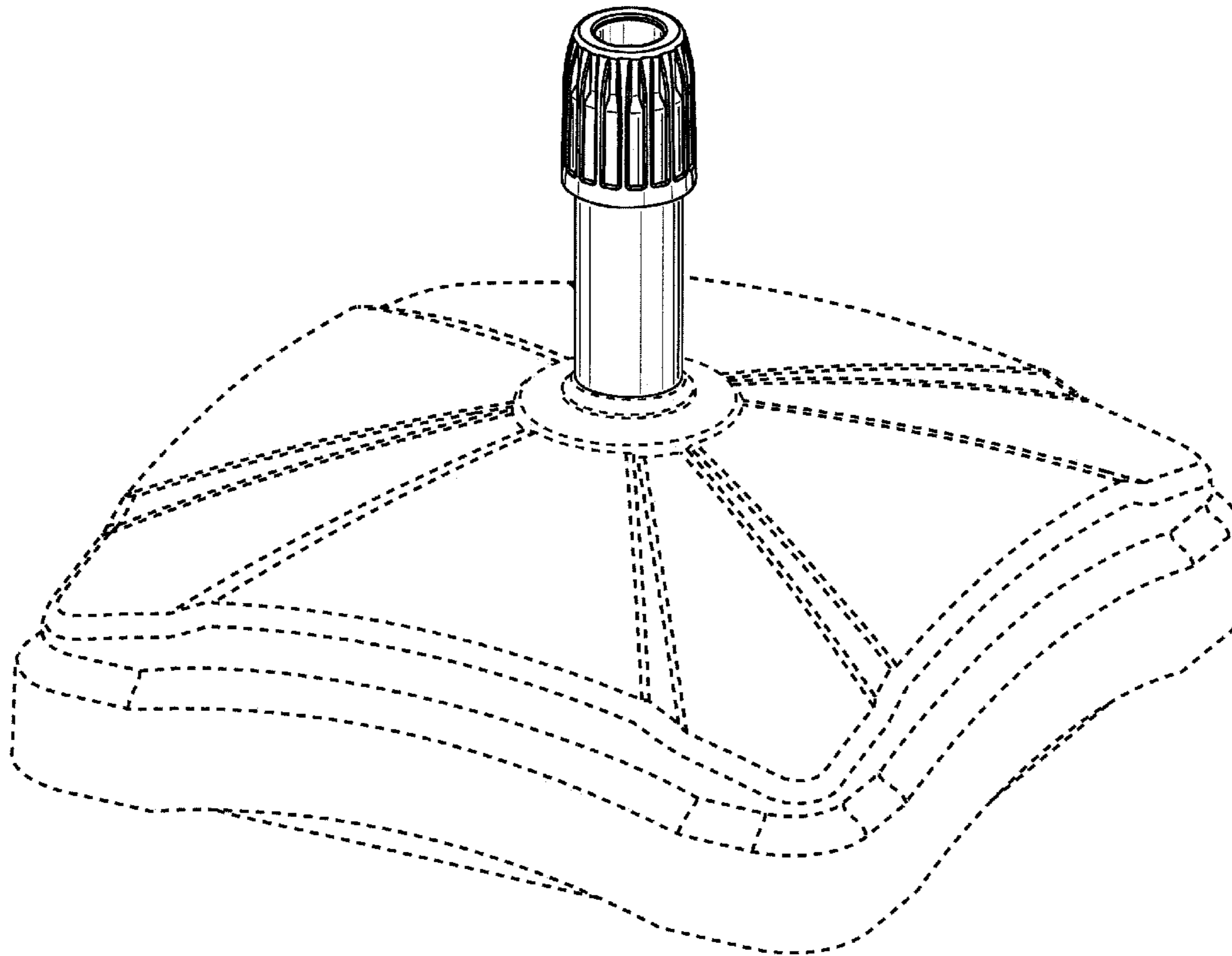
The circles shown in broken lines in FIGS. 3 and 5 represent the bounds of the claimed design while all other broken lines are directed to environment and are for illustrative purpose only. None of the broken lines form a part of the claimed design.

(56) **References Cited**

U.S. PATENT DOCUMENTS

- 6,089,246 A * 7/2000 Barnes 135/909
- 6,113,054 A 9/2000 Ma
- D454,682 S * 3/2002 D'Andrea D3/10
- D470,305 S 2/2003 Clarke
- D485,055 S 1/2004 Taylor

1 Claim, 4 Drawing Sheets



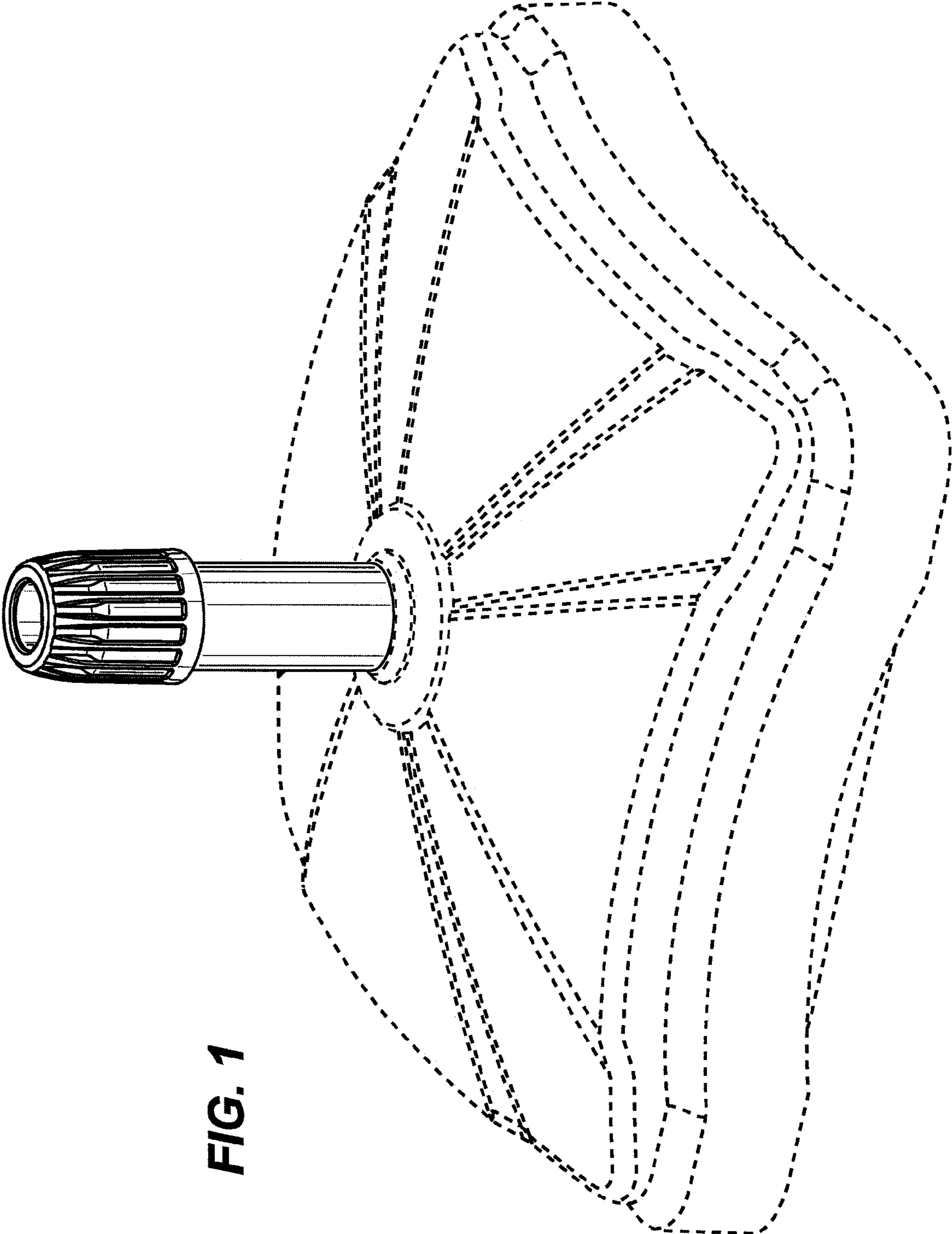


FIG. 1

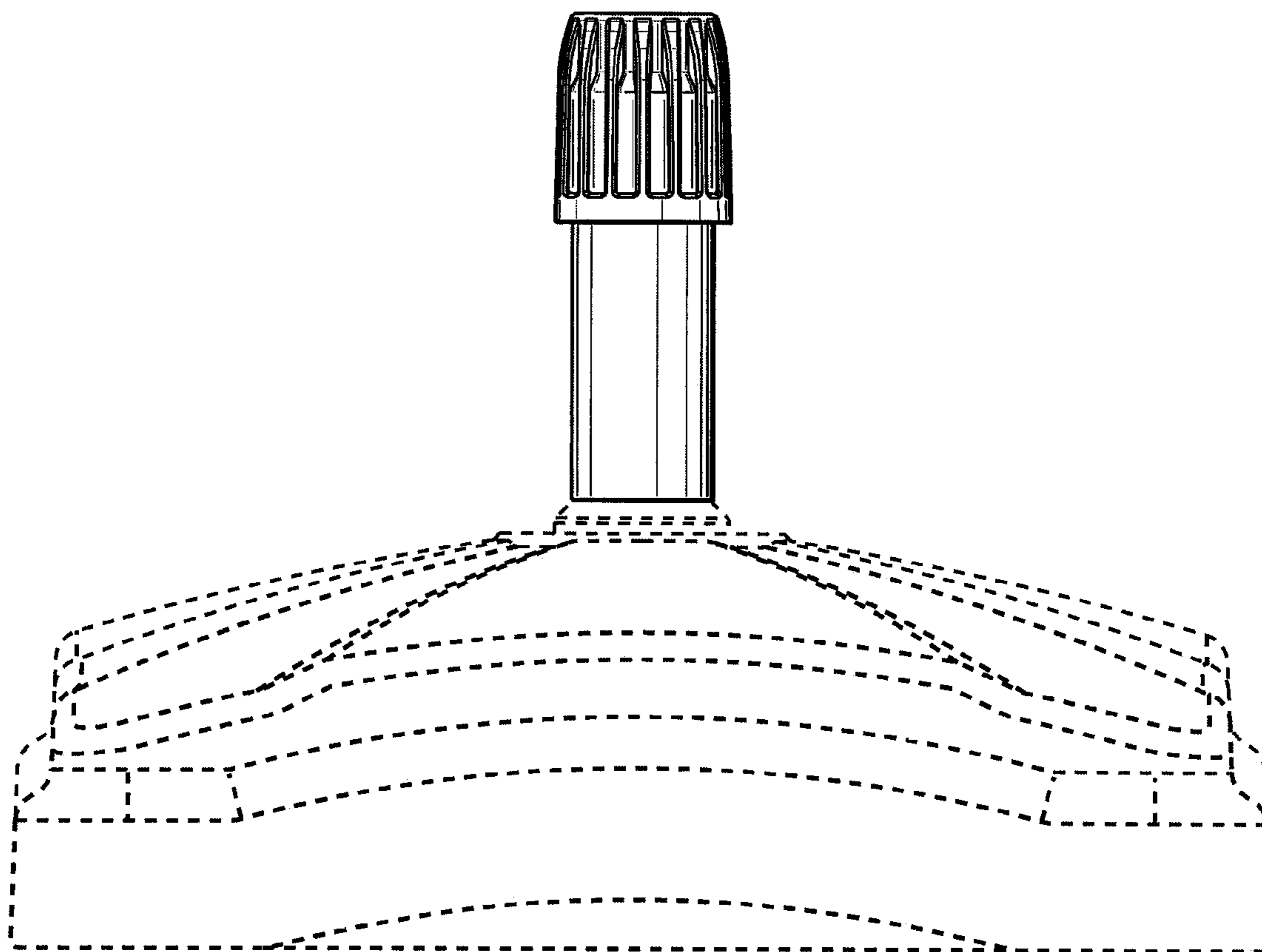


FIG. 2

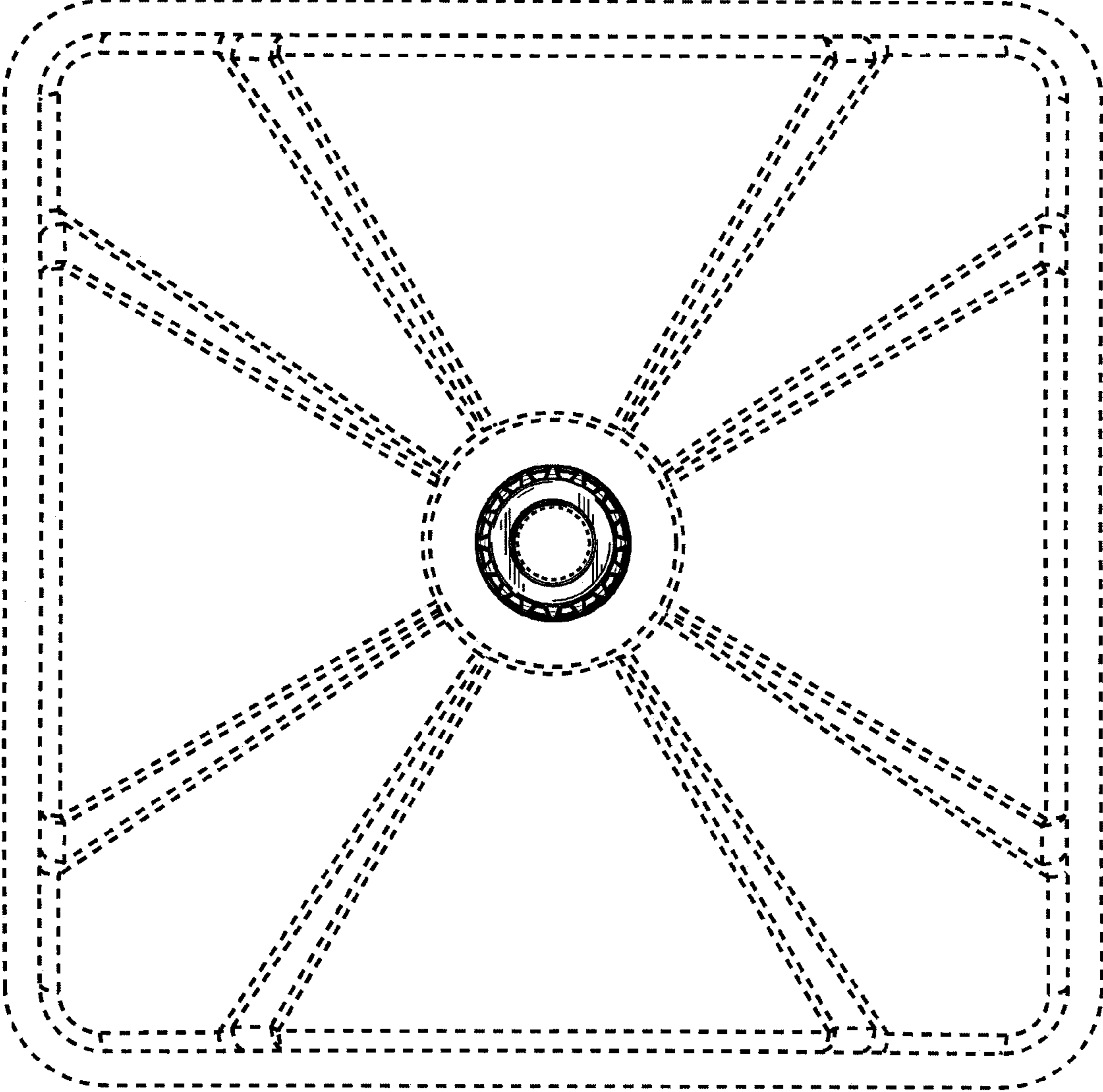


FIG. 3

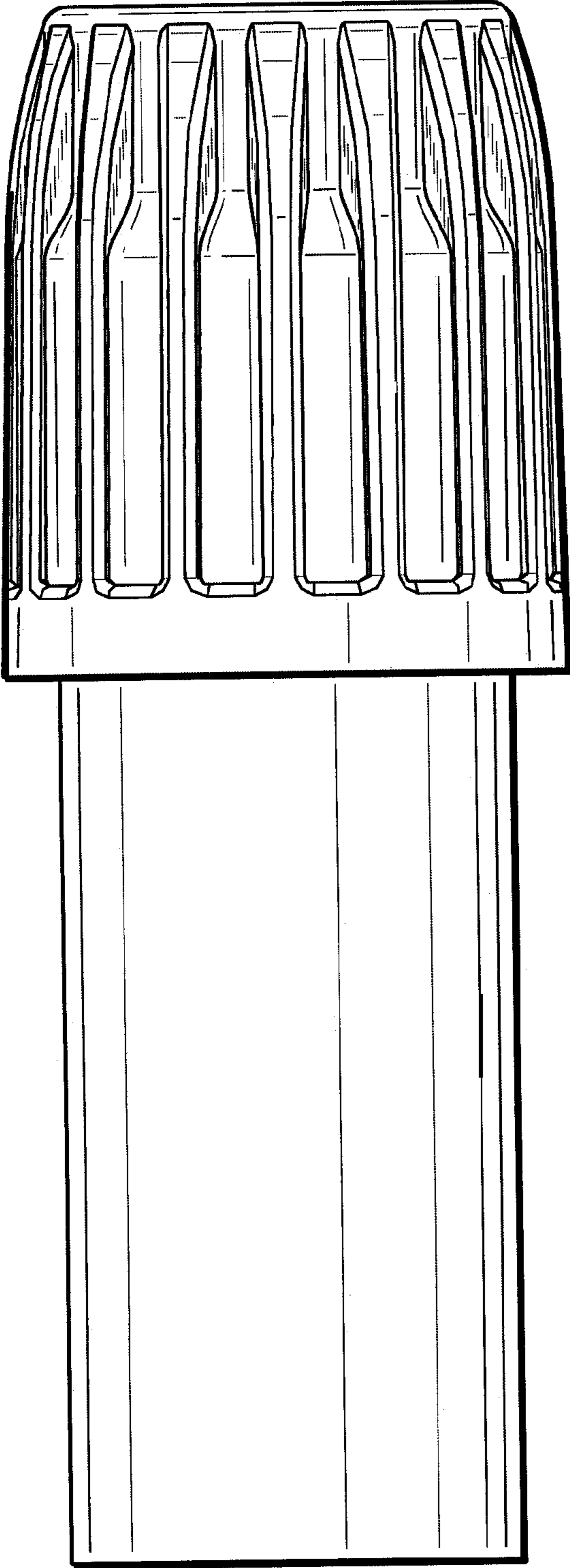


FIG. 4

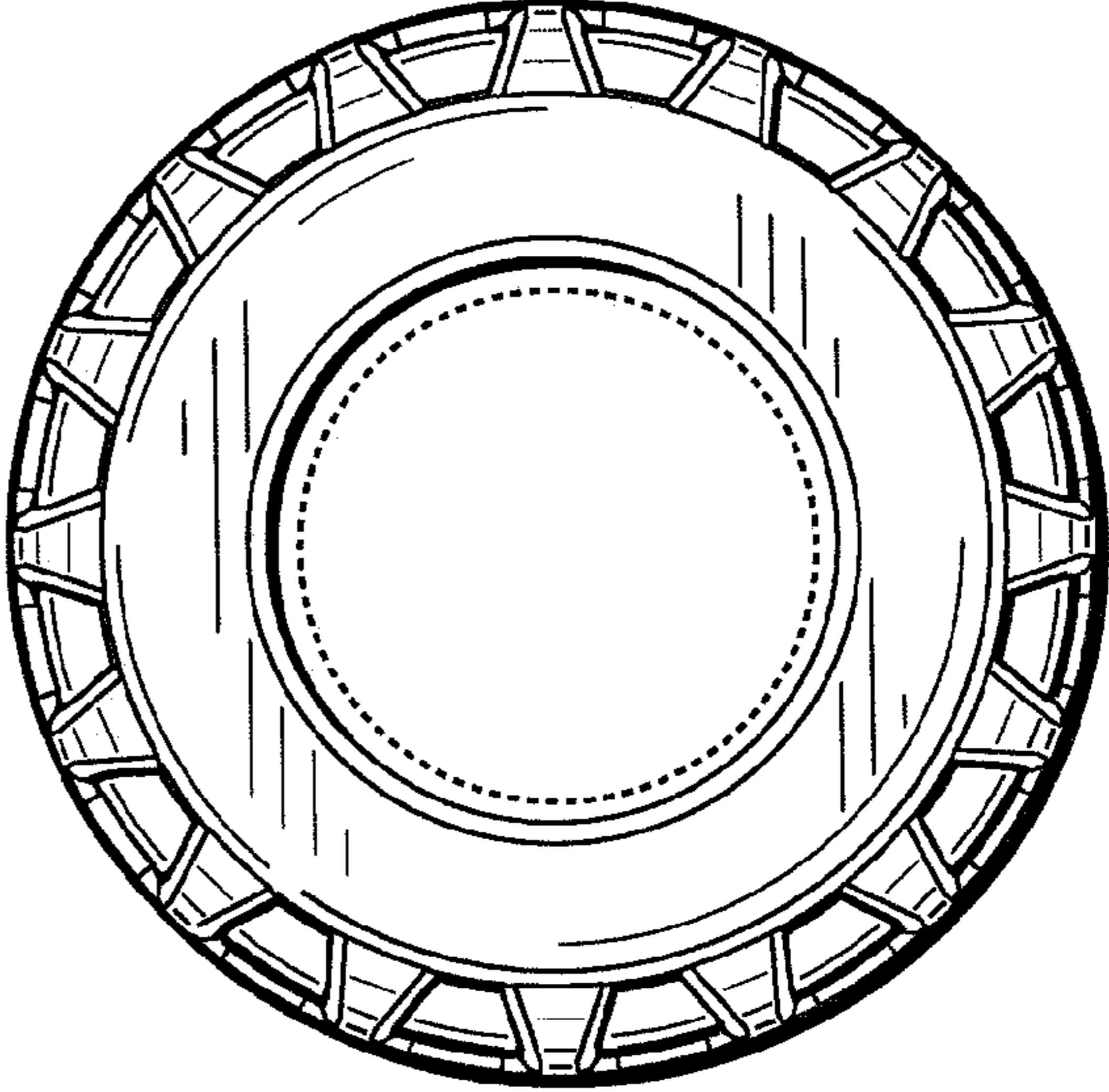


FIG. 5