



US00D574133S

(12) **United States Design Patent**  
**Le**

(10) **Patent No.:** **US D574,133 S**  
(45) **Date of Patent:** **\*\* Aug. 5, 2008**

(54) **FOOTWEAR OUTSOLE**

D551,834 S \* 10/2007 Favreau et al. .... D2/957

(75) Inventor: **Tuan Le**, Portland, OR (US)

**OTHER PUBLICATIONS**

(73) Assignee: **Deckers Outdoor Corporation**, Goleta, CA (US)

UGG Australia, Fall/Winter 1999, Byron, p. 12.  
UGG Australia, Fall/Winter 1999, Roo Boot, p. 16.  
UGG Australia, Fall/Winter 1999, Soho.

(\*\*) Term: **14 Years**

\* cited by examiner

(21) Appl. No.: **29/293,000**

*Primary Examiner*—Celia A Murphy

(74) *Attorney, Agent, or Firm*—Greer, Burns & Crain, Ltd.

(22) Filed: **Nov. 6, 2007**

(57) **CLAIM**

(51) **LOC (8) Cl.** ..... **02-04**

The ornamental design for a footwear outsole, as shown and described.

(52) **U.S. Cl.** ..... **D2/957; D2/951; D2/953; D2/960**

(58) **Field of Classification Search** ..... D2/902, D2/906, 908, 947, 951–960; D5/1, 47.61; 36/3 B, 22 R, 24.5, 25 R, 28, 32 R, 67 A, 36/59 C, 103

**DESCRIPTION**

See application file for complete search history.

FIG. 1 is a perspective view of a footwear outsole showing my new design;

FIG. 2 is a left side elevational view thereof;

FIG. 3 is a right side elevational view thereof;

FIG. 4 is a front elevational view thereof;

FIG. 5 is a rear elevational view thereof.

FIG. 6 is a top plan view thereof; and,

FIG. 7 is a bottom plan view thereof.

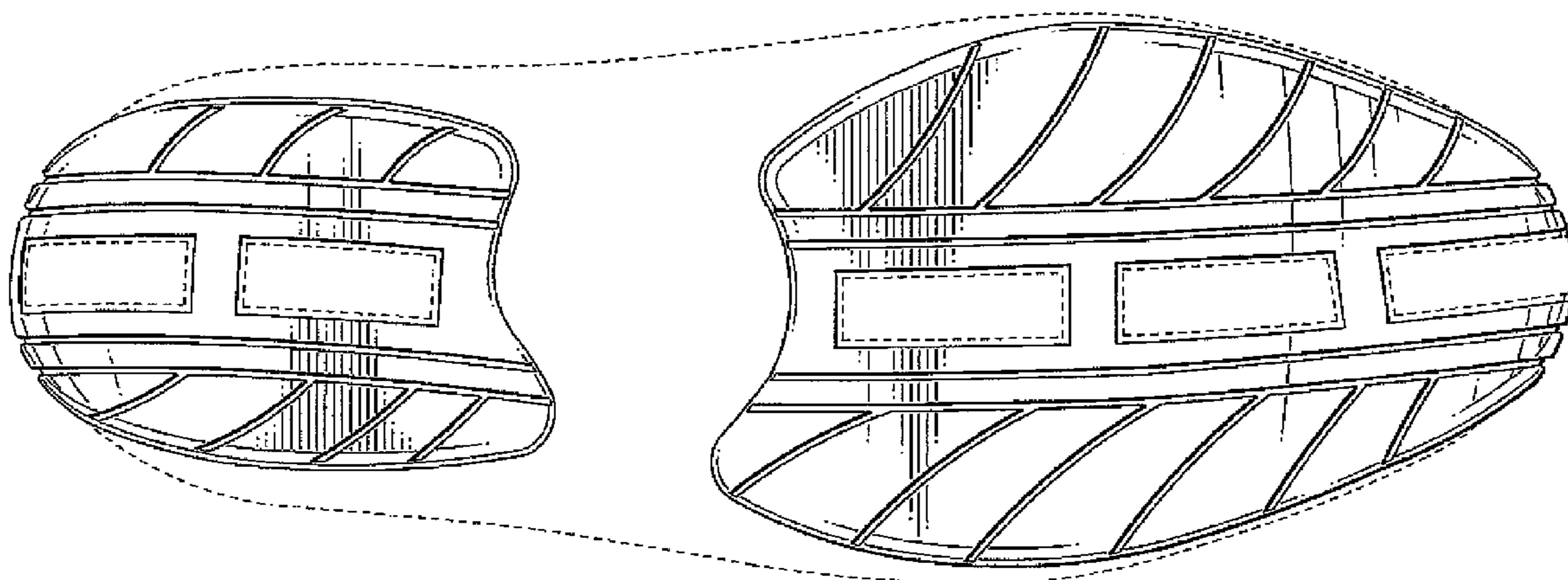
The broken lines immediately adjacent to the claimed subject matter throughout the views, form the boundaries of the design. The broken-line rectangles in FIGS. 1, 4, 5 & 7 define the interior boundaries of the design. None of the broken lines or the areas within them form any part of the claim.

(56) **References Cited**

**U.S. PATENT DOCUMENTS**

2,722,756 A	*	11/1955	Ecclesine	.....	36/59 C
D324,764 S	*	3/1992	Allen	.....	D2/959
D433,790 S	*	11/2000	Oliver	.....	D2/957
D435,333 S	*	12/2000	Robbins et al.	.....	D2/957
D499,536 S	*	12/2004	Castleberry	.....	D2/960
D501,708 S	*	2/2005	Andrews-Kramer	.....	D2/960
D504,205 S	*	4/2005	Andrews-Kramer	.....	D2/960
D515,793 S	*	2/2006	Huard	.....	D2/957
D530,492 S	*	10/2006	McClaskie	.....	D2/957
D548,935 S	*	8/2007	McClaskie	.....	D2/957
D549,431 S	*	8/2007	McClaskie	.....	D2/954

**1 Claim, 6 Drawing Sheets**



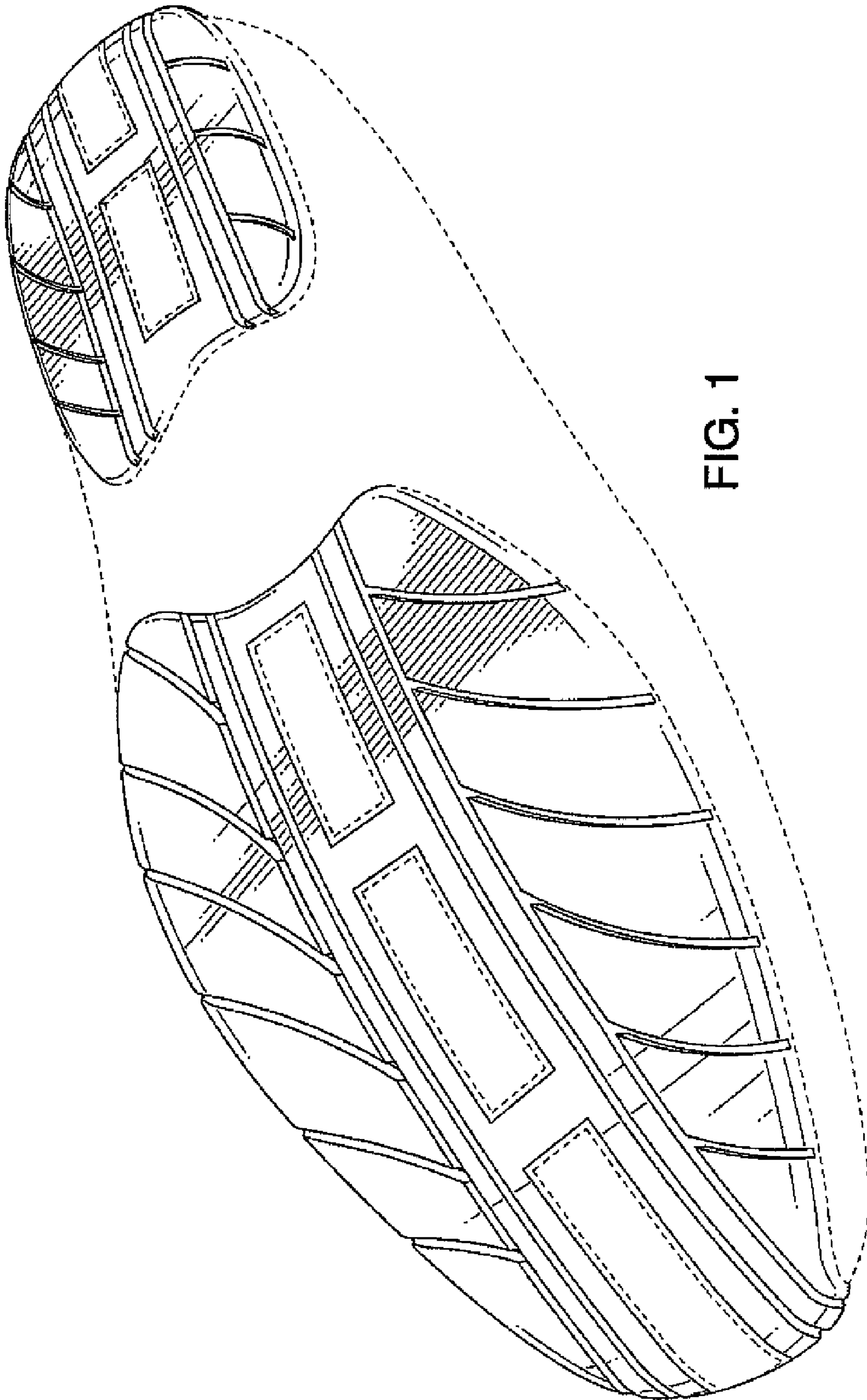


FIG. 1

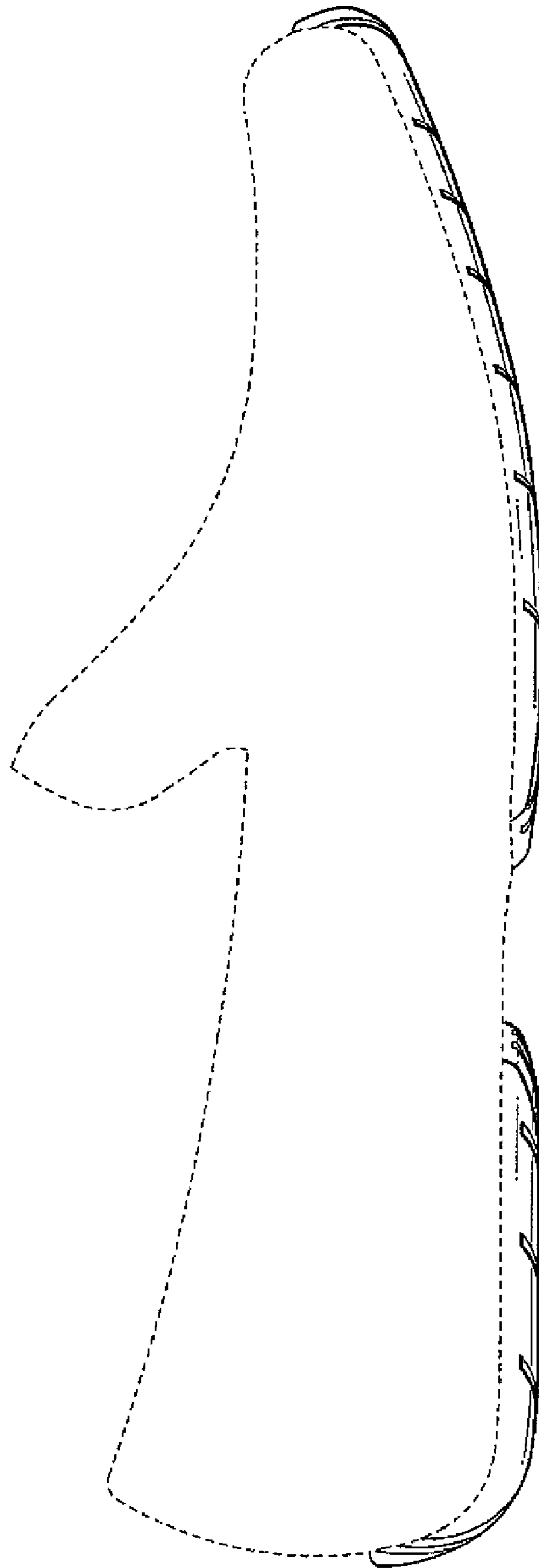


FIG. 2

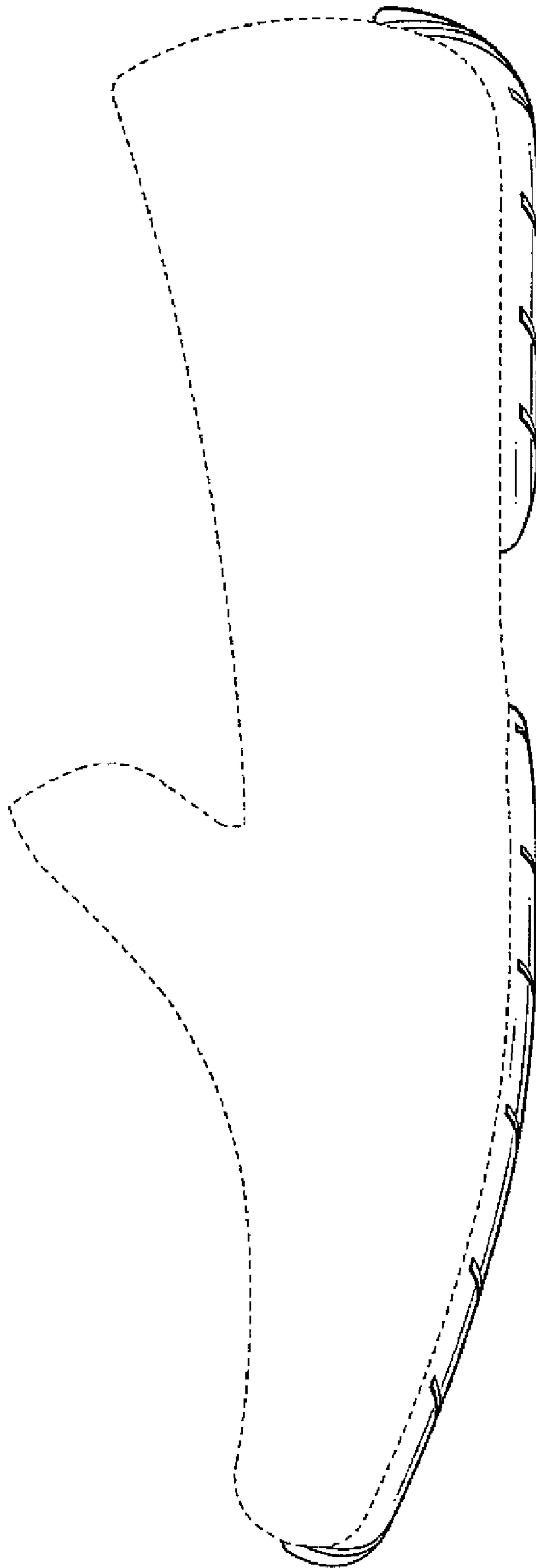


FIG. 3

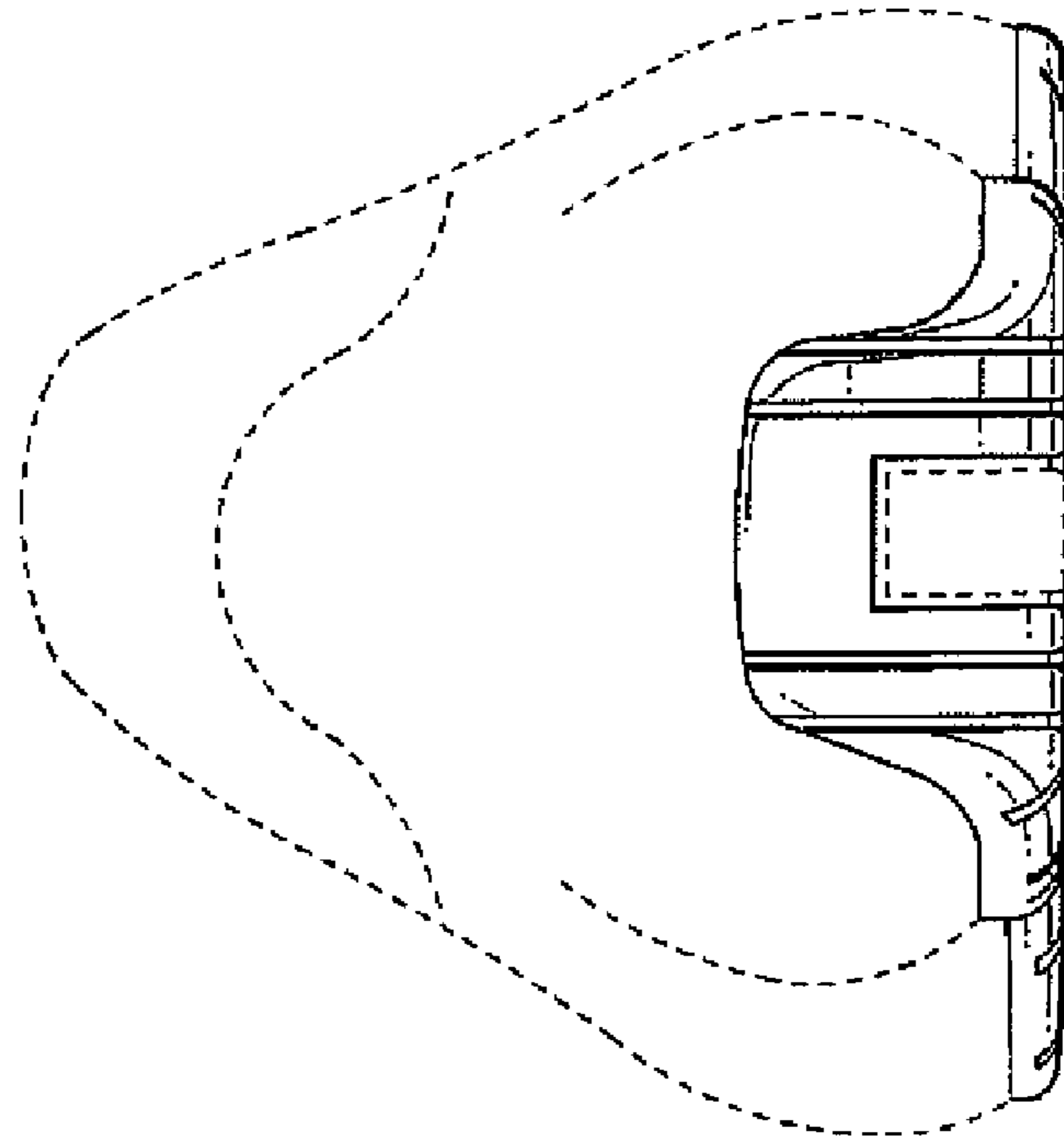


FIG. 5

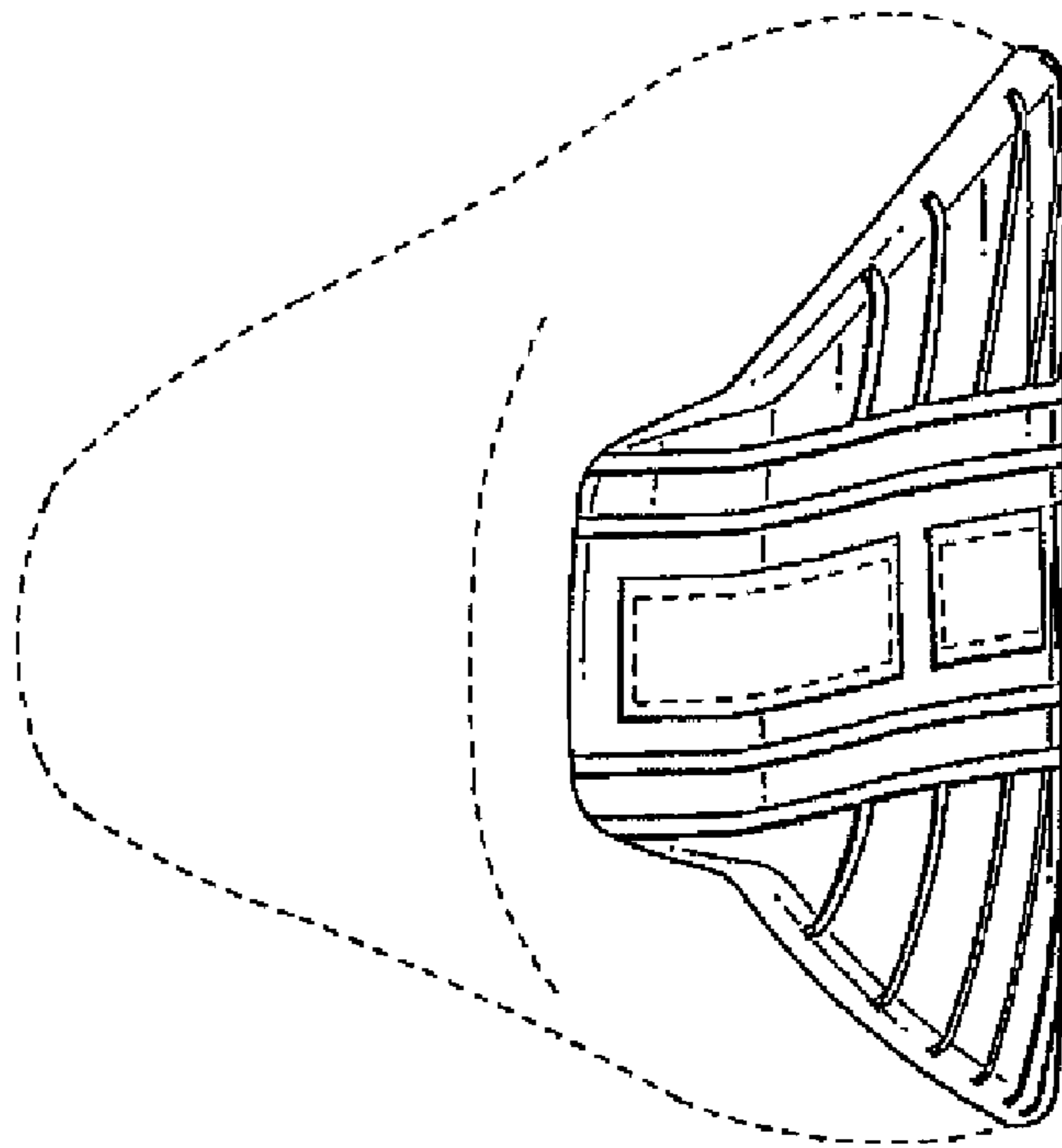


FIG. 4

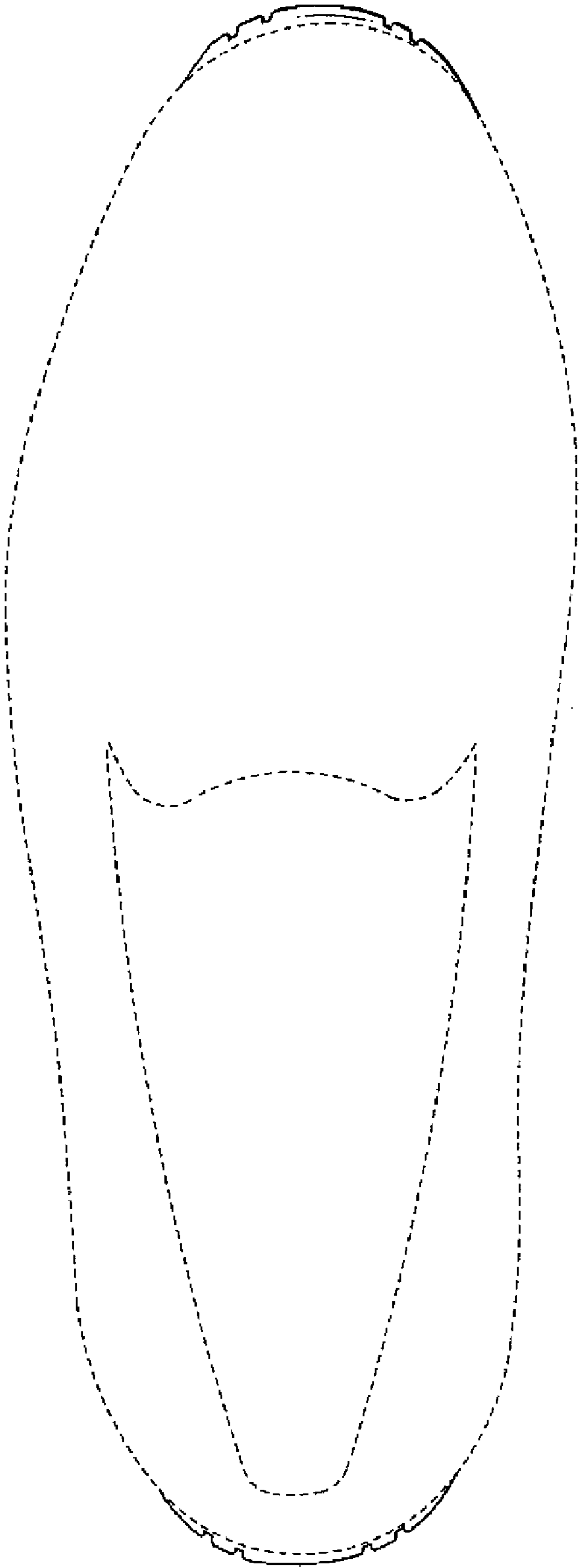


FIG. 6



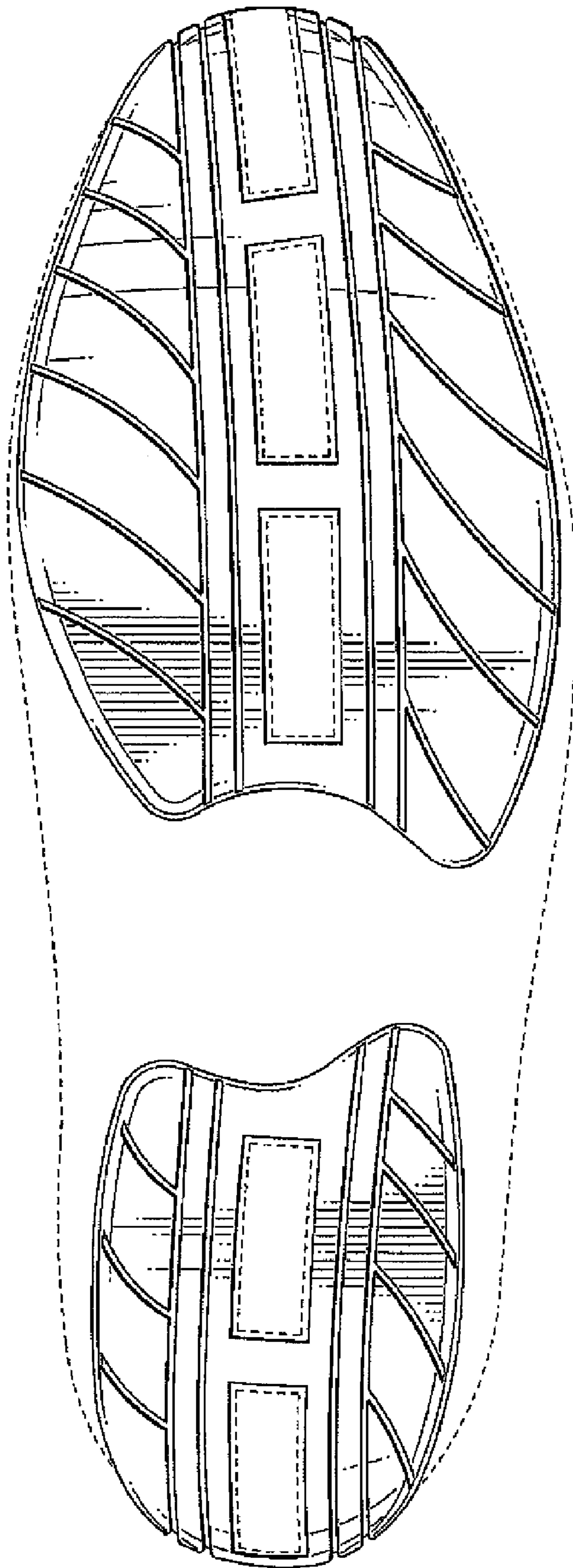


FIG. 7