



US00D574130S

(12) **United States Design Patent**  
**Le**

(10) **Patent No.:** **US D574,130 S**

(45) **Date of Patent:** **\*\* Aug. 5, 2008**

(54) **FOOTWEAR OUTSOLE**

D561,439 S \* 2/2008 Schoenborn et al. .... D2/957

(75) Inventor: **Tuan Le**, Portland, OR (US)

(73) Assignee: **Deckers Outdoor Corporation**, Goleta, CA (US)

(\*\*) Term: **14 Years**

(21) Appl. No.: **29/289,187**

(22) Filed: **Jul. 11, 2007**

(51) **LOC (8) Cl.** ..... **02-04**

(52) **U.S. Cl.** ..... **D2/956; D2/953**

(58) **Field of Classification Search** ..... D2/902,  
D2/947, 951–956, 957–960; 36/3 B, 22 R,  
36/24.5, 25 R, 28, 32 R, 34 R, 67 A, 59 C  
See application file for complete search history.

(56) **References Cited**

**U.S. PATENT DOCUMENTS**

D280,355 S *	9/1985	Austin	.....	D2/956
D281,286 S *	11/1985	Mangini et al.	.....	D2/952
D410,966 S *	6/1999	Cretinon	.....	D2/960
D424,286 S *	5/2000	Berend	.....	D2/953
D504,204 S *	4/2005	Matis et al.	.....	D2/955
D540,014 S *	4/2007	Turner et al.	.....	D2/957
D543,340 S *	5/2007	Favreau et al.	.....	D2/960
D546,036 S *	7/2007	Schoenborn et al.	.....	D2/957
D546,532 S *	7/2007	Matis et al.	.....	D2/953
D550,437 S *	9/2007	Belley et al.	.....	D2/953
D561,431 S *	2/2008	Walton et al.	.....	D2/902
D561,434 S *	2/2008	Fujita et al.	.....	D2/953

**OTHER PUBLICATIONS**

- UGG Australia, Fall '98 Regional Ad Slicks, Outsoles, pp. 1 and 2.
- UGG Australia, Adirondack Collection Outsole, p. 12.
- UGG Australia, Winter 2002 Collection, Aspen Outsole, p. 21.
- UGG Australia, Fall/Winter 2003, Soho Outsole.
- UGG Australia, Fall/Winter 2003, Cambridge Outsole.
- UGG Australia, Fall/Winter 2004, Essential Short Outsole, p. 3.
- UGG Australia, Fall/Winter 2004, Ultimate Tall, p. 5.

\* cited by examiner

*Primary Examiner*—Celia A. Murphy

(74) *Attorney, Agent, or Firm*—Greer, Burns & Crain, Ltd.

(57) **CLAIM**

The ornamental design for a footwear outsole, as shown and described.

**DESCRIPTION**

FIG. 1 is a bottom perspective view of a footwear outsole showing my new design;

FIG. 2 is a left side elevational view thereof;

FIG. 3 is a right side elevational view thereof;

FIG. 4 is a bottom plan view thereof;

FIG. 5 is a top plan view thereof;

FIG. 6 is a front elevational view thereof; and,

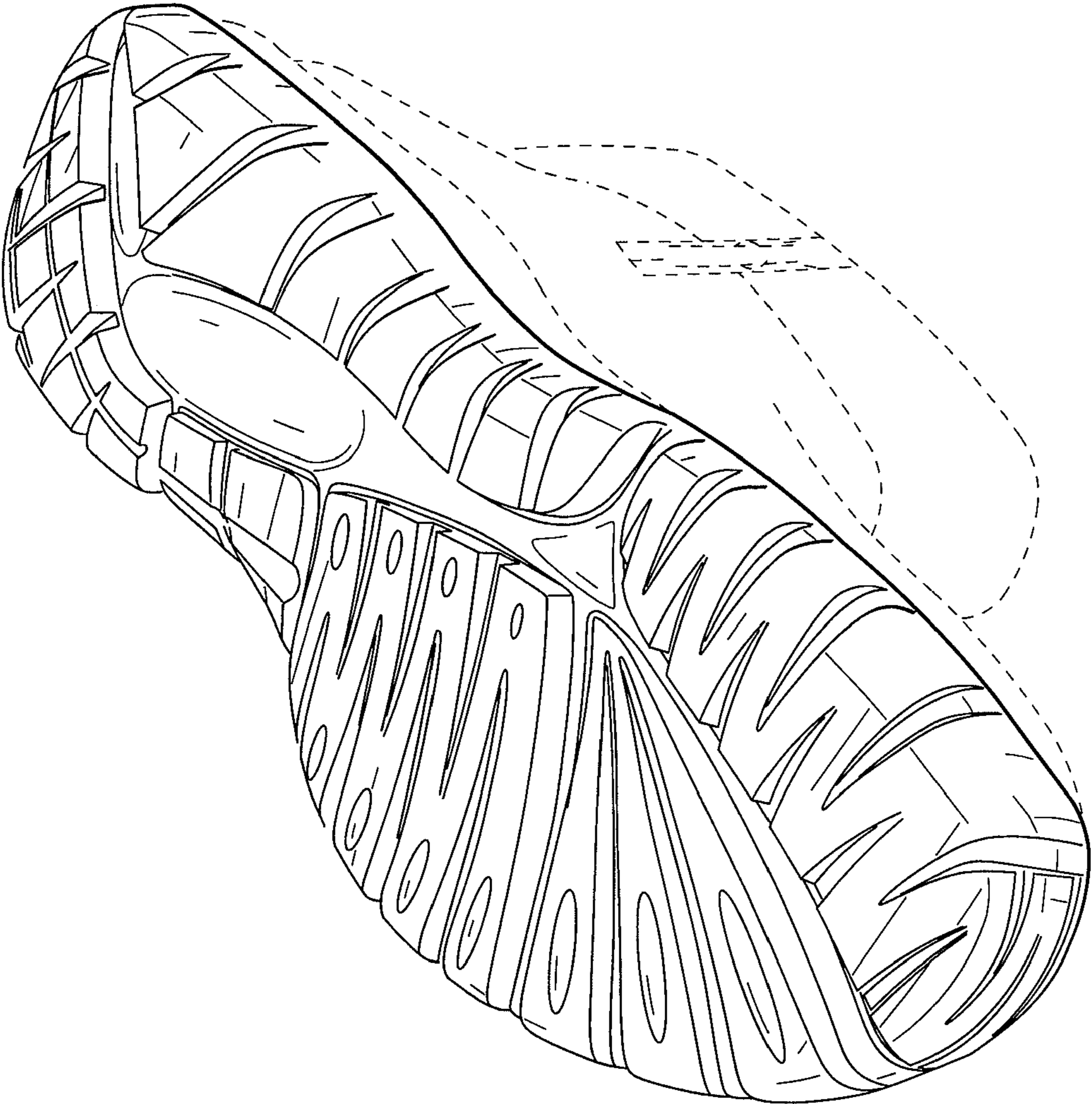
FIG. 7 is a rear elevational view thereof.

The broken lines showing the remainder of the shoe sole throughout the views illustrate the portion of the design that forms no part of the claim.

**1 Claim, 6 Drawing Sheets**



FIG. 1



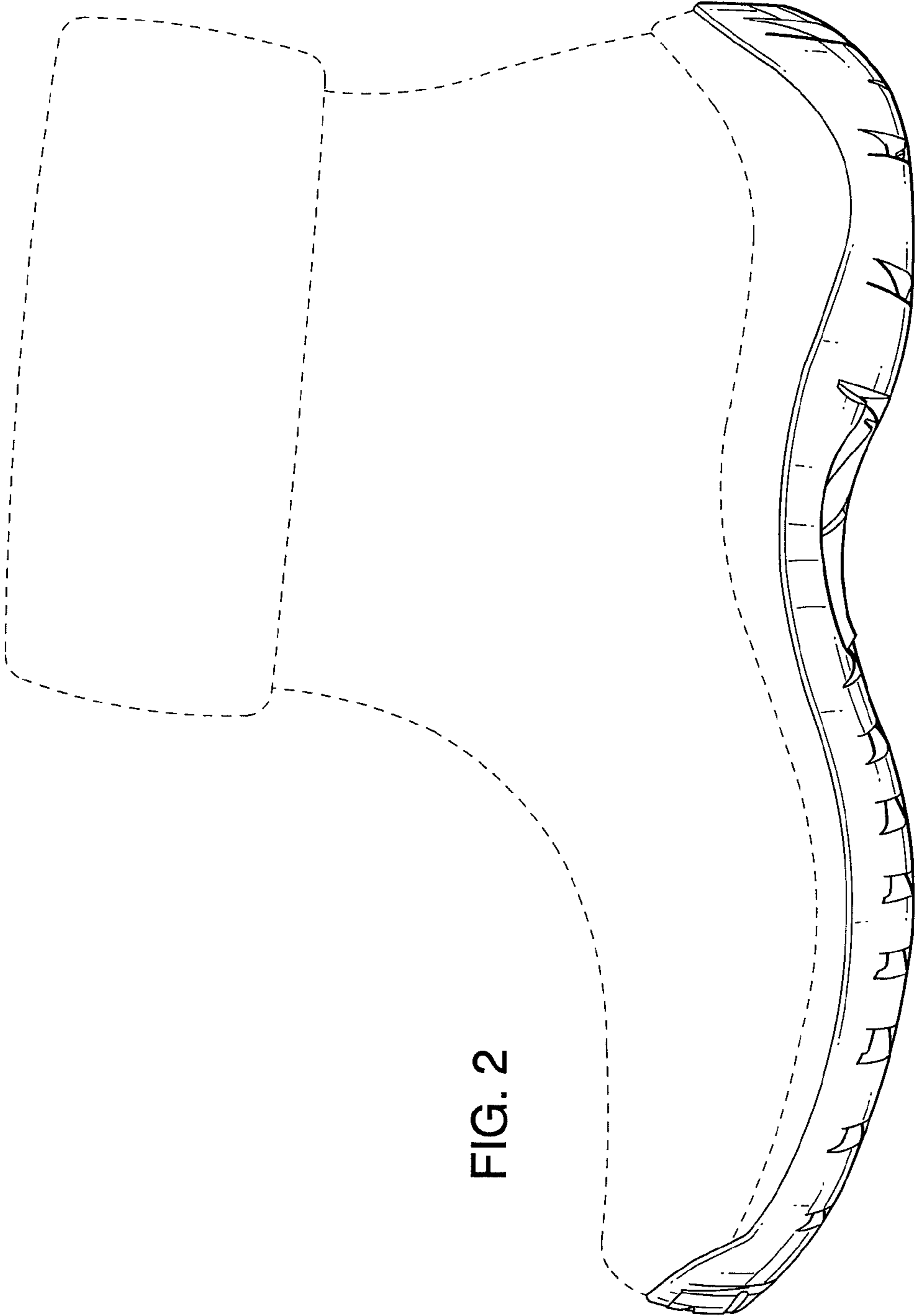
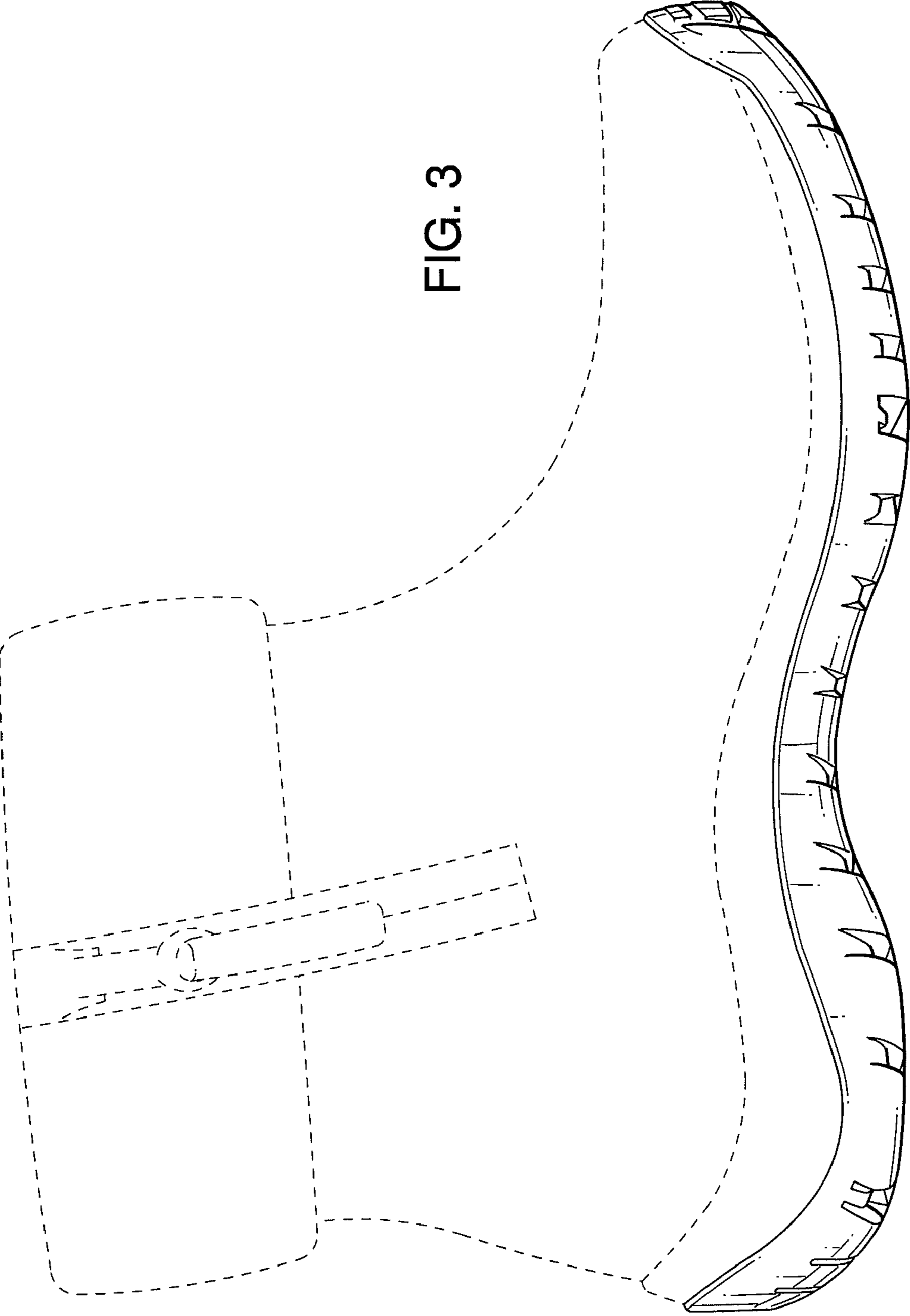


FIG. 2

FIG. 3





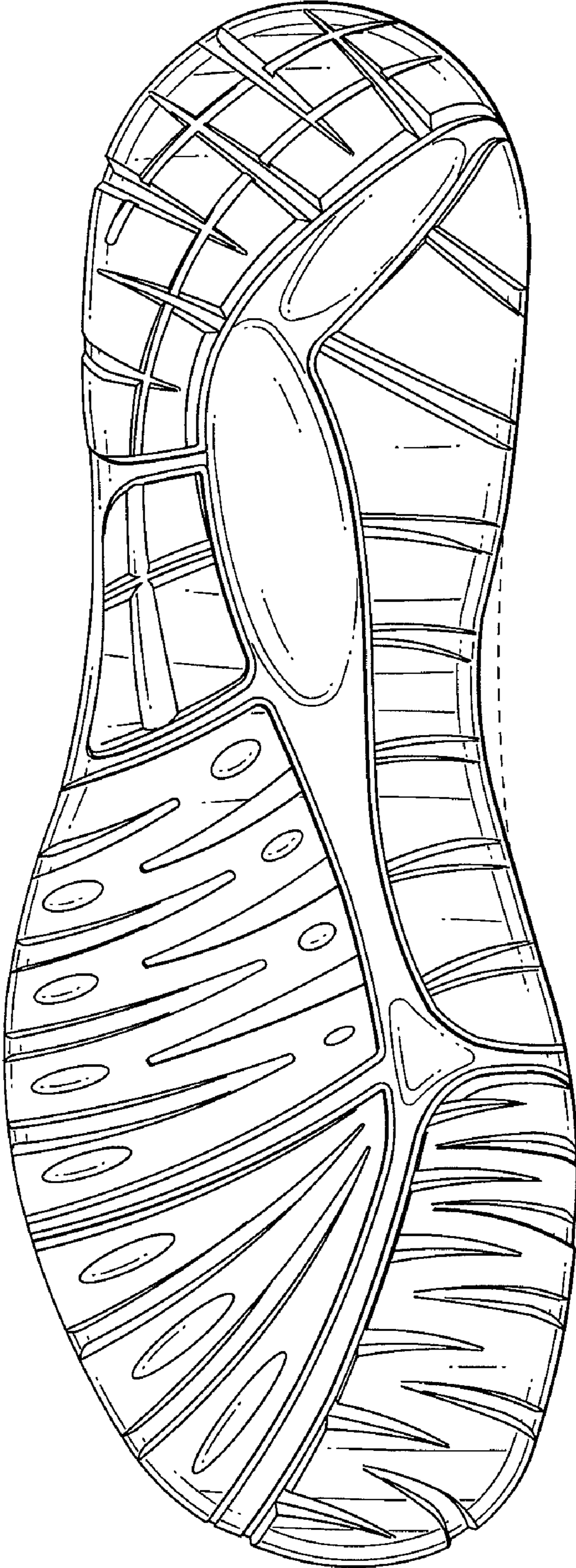


FIG. 4

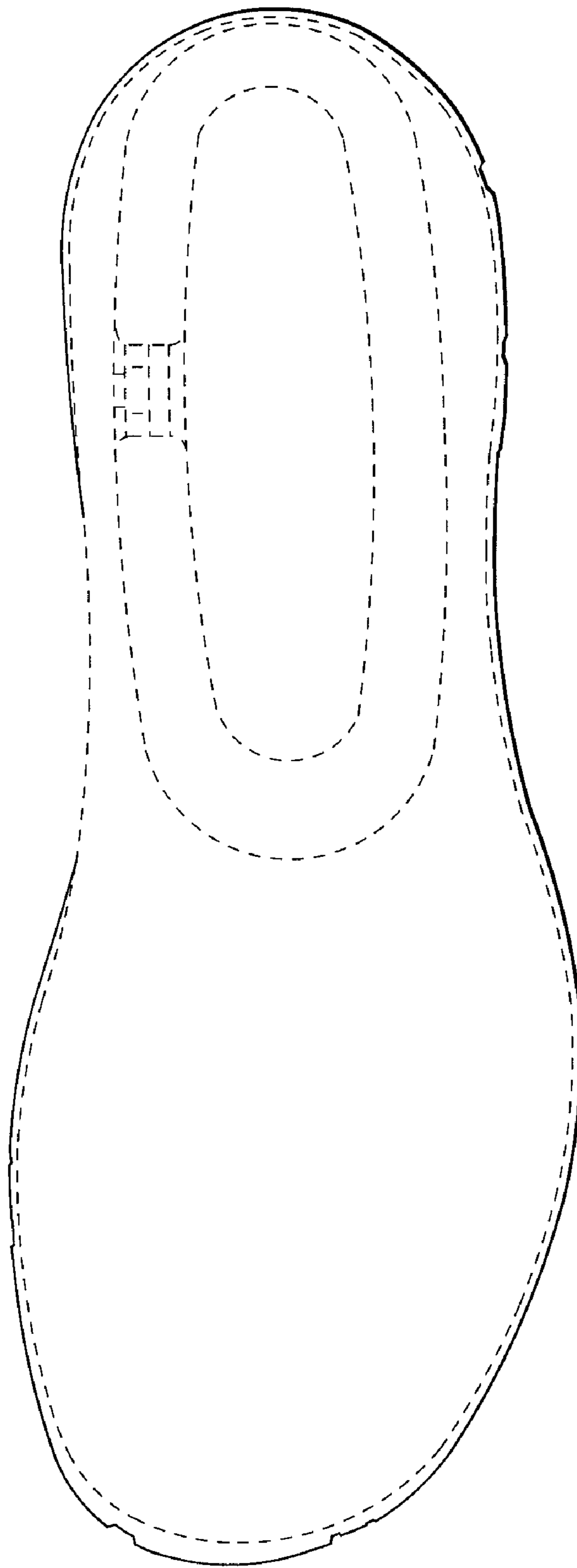


FIG. 5

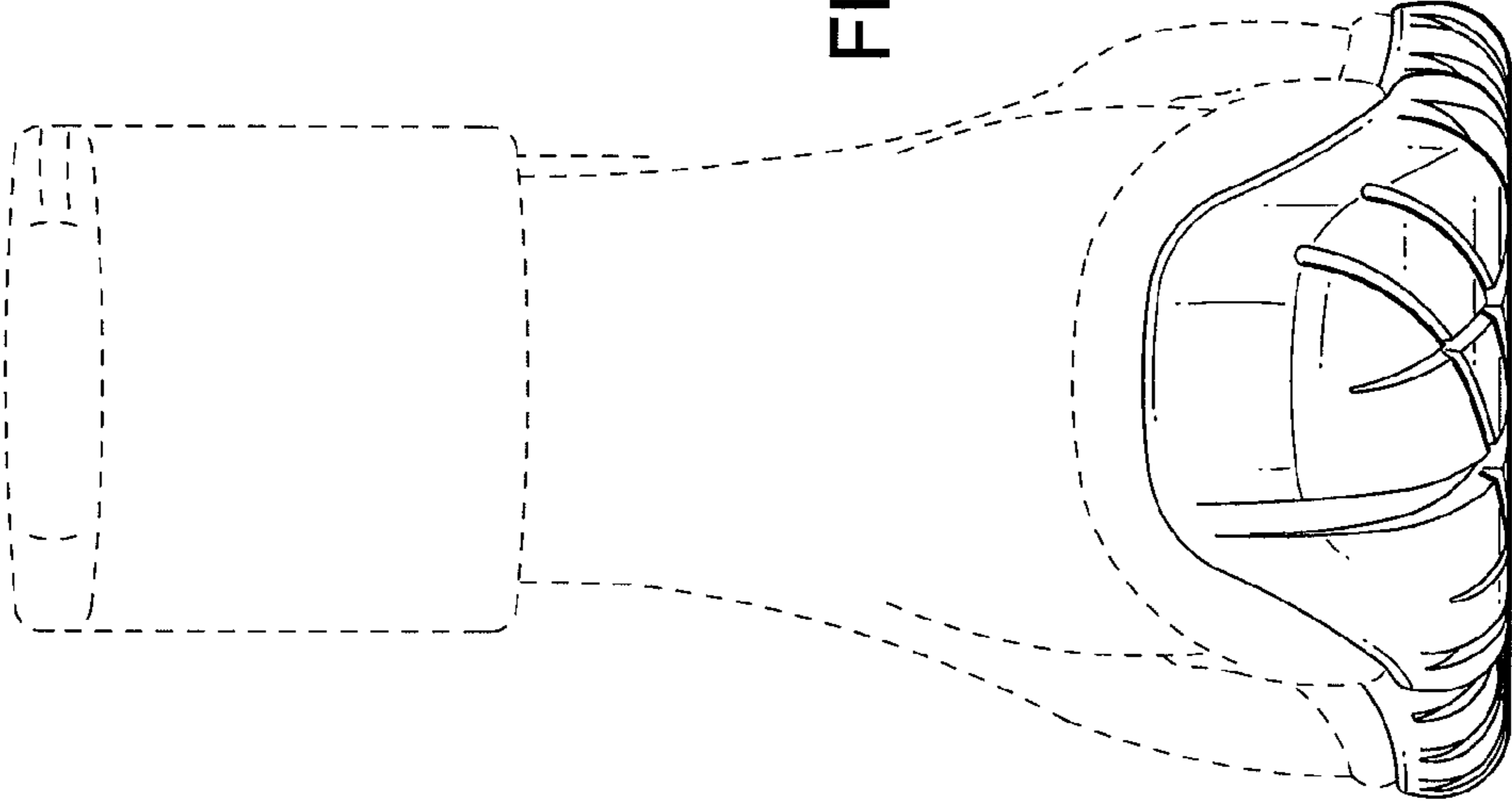


FIG. 7

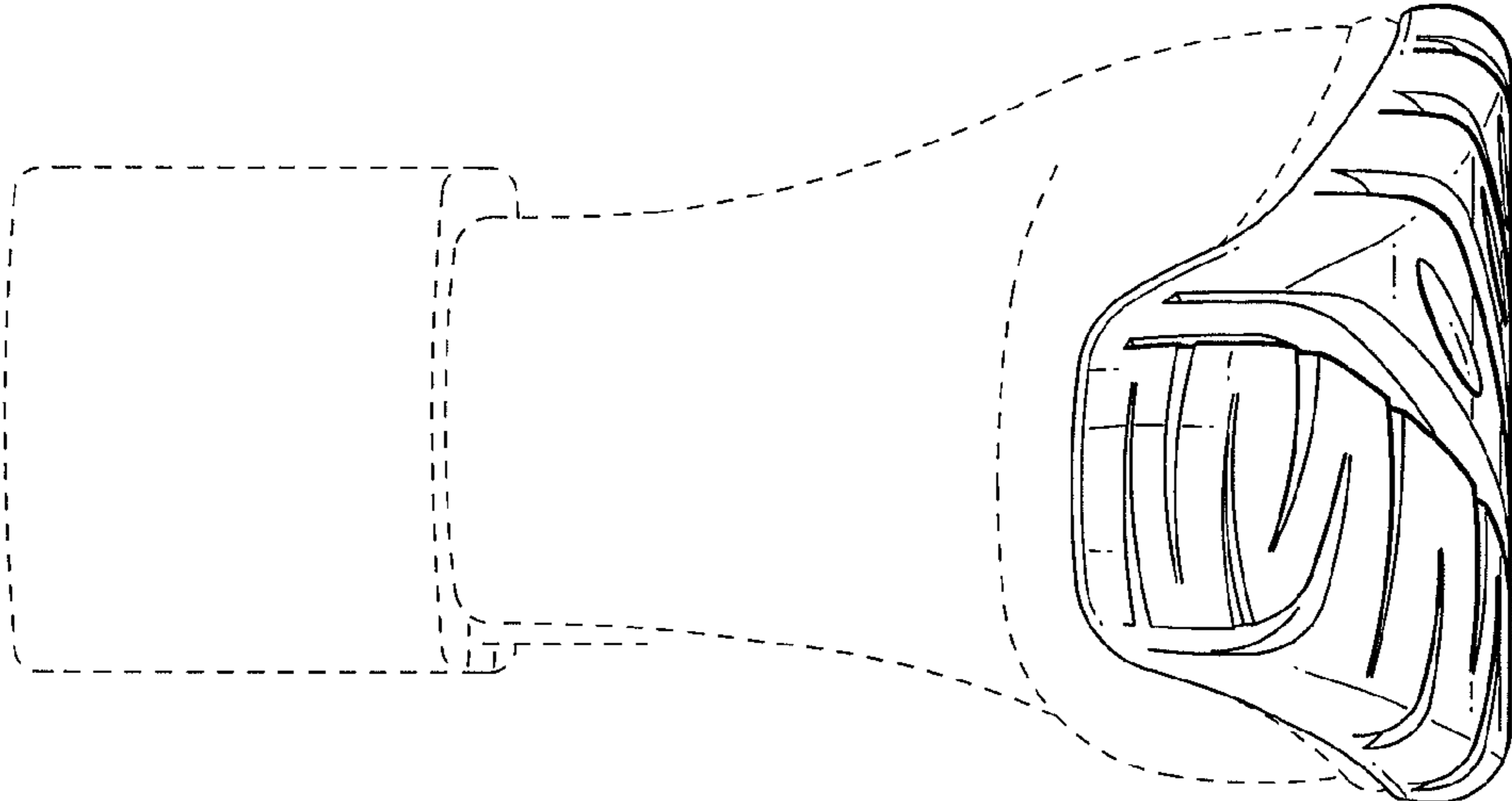


FIG. 6