



US00D574125S

(12) **United States Design Patent**  
**Gunst et al.**

(10) **Patent No.:** **US D574,125 S**  
(45) **Date of Patent:** **\*\* Jul. 29, 2008**

(54) **COIN BIN**

(75) Inventors: **Robert E. Gunst**, Neosho, WI (US);  
**Jesse Cotterman**, West Bend, WI (US);  
**Lisa Howard**, Perkasie, PA (US)

(73) Assignee: **De La Rue Cash Systems Inc.**,  
Watertown, WI (US)

(\*\*) Term: **14 Years**

(21) Appl. No.: **29/286,590**

(22) Filed: **May 11, 2007**

(51) **LOC (8) Cl.** ..... **06-04**

(52) **U.S. Cl.** ..... **D99/34; D99/28**

(58) **Field of Classification Search** ..... D99/28,  
D99/34-43, 99; D18/3.1-3.3; D14/385,  
D14/448, 173, 307, 901, 146, 144, 151; 235/375-381,  
235/100; 705/35, 43; 109/2, 24.1, 50, 53,  
109/66, 83; 106/644; 52/659, 73; 902/8,  
902/9, 21, 30; 340/5.41; 348/150; D20/1,  
D20/2; D25/16; 361/681, 683, 686, 687,  
361/694; D6/573, 634; D3/201, 291, 294,  
D3/276, 273; 194/202, 379, 381; 206/8,  
206/815

See application file for complete search history.

(56) **References Cited**

**U.S. PATENT DOCUMENTS**

|               |         |              |       |            |
|---------------|---------|--------------|-------|------------|
| D3,814 S *    | 1/1870  | McFarland    | ..... | D99/28     |
| D11,158 S *   | 4/1879  | Field        | ..... | D3/291     |
| D93,372 S *   | 9/1934  | Zacher       | ..... | D20/1      |
| D121,362 S *  | 7/1940  | Binks        | ..... | D99/28     |
| D268,063 S *  | 2/1983  | Chase        | ..... | D99/28     |
| D281,921 S *  | 12/1985 | Losi         | ..... | D99/28     |
| D289,582 S *  | 5/1987  | Brush et al. | ..... | D3/281     |
| D291,139 S *  | 7/1987  | Warwicker    | ..... | D99/28     |
| D293,279 S *  | 12/1987 | Evans        | ..... | D6/634     |
| D302,491 S *  | 8/1989  | Brush et al. | ..... | D3/294     |
| 5,069,358 A * | 12/1991 | Avery, Jr.   | ..... | 220/560.01 |
| D335,378 S *  | 5/1993  | Mariol       | ..... | D99/28     |

|                 |         |                 |       |        |
|-----------------|---------|-----------------|-------|--------|
| 5,377,514 A *   | 1/1995  | Robbins et al.  | ..... | 70/452 |
| D356,891 S *    | 4/1995  | Hobson          | ..... | D3/294 |
| D372,360 S *    | 8/1996  | Burns et al.    | ..... | D3/273 |
| 6,082,519 A     | 7/2000  | Martin et al.   |       |        |
| D445,234 S *    | 7/2001  | Isaacs et al.   | ..... | D99/28 |
| D446,011 S *    | 8/2001  | Ogilvie et al.  | ..... | D3/273 |
| D465,330 S *    | 11/2002 | Parker          | ..... | D3/273 |
| D474,596 S *    | 5/2003  | Osiecki et al.  | ..... | D3/273 |
| D489,158 S *    | 4/2004  | Magee et al.    | ..... | D99/28 |
| 6,854,640 B2    | 2/2005  | Peklo           |       |        |
| D528,735 S *    | 9/2006  | Osiecki et al.  | ..... | D99/43 |
| 2004/0055902 A1 | 3/2004  | Peklo           |       |        |
| 2005/0067305 A1 | 3/2005  | Bochonok et al. |       |        |
| 2005/0087425 A1 | 4/2005  | Peklo           |       |        |
| 2006/0175176 A1 | 8/2006  | Blake           |       |        |
| 2007/0051582 A1 | 3/2007  | Bochonok et al. |       |        |

\* cited by examiner

*Primary Examiner*—Robert M. Spear  
*Assistant Examiner*—Susan E Krakower

(74) *Attorney, Agent, or Firm*—Boyle Fredrickson, S.C.

(57) **CLAIM**

The ornamental design for a coin bin, as shown and described.

**DESCRIPTION**

The product is a removable bin for receiving coins in a self-service coin handling machine.

FIG. 1 is a right, top, front perspective view of a coin bin according to our new design;

FIG. 2 is a front elevational view thereof;

FIG. 3 is a right side elevational view thereof, the left side elevational view being a mirror image thereof;

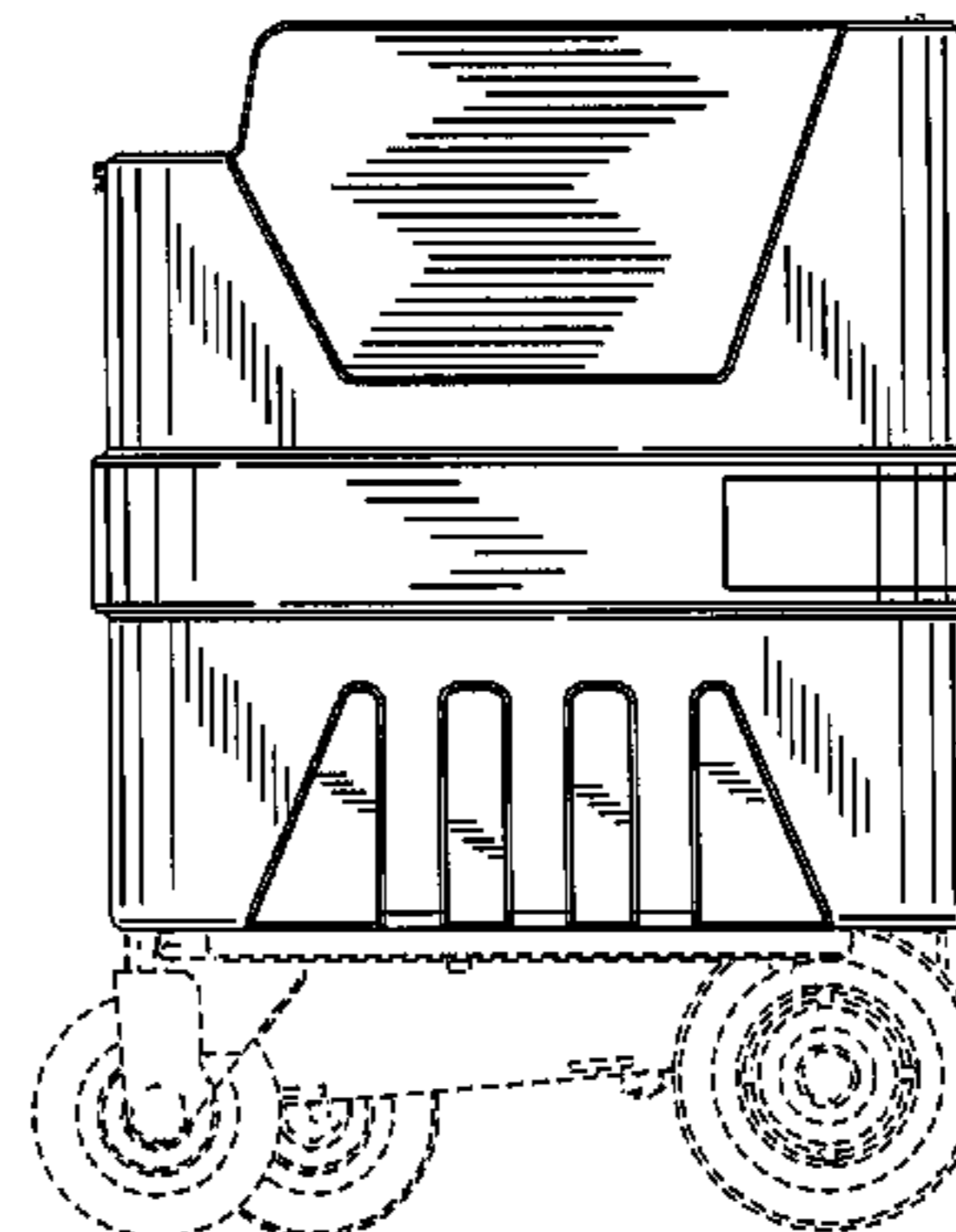
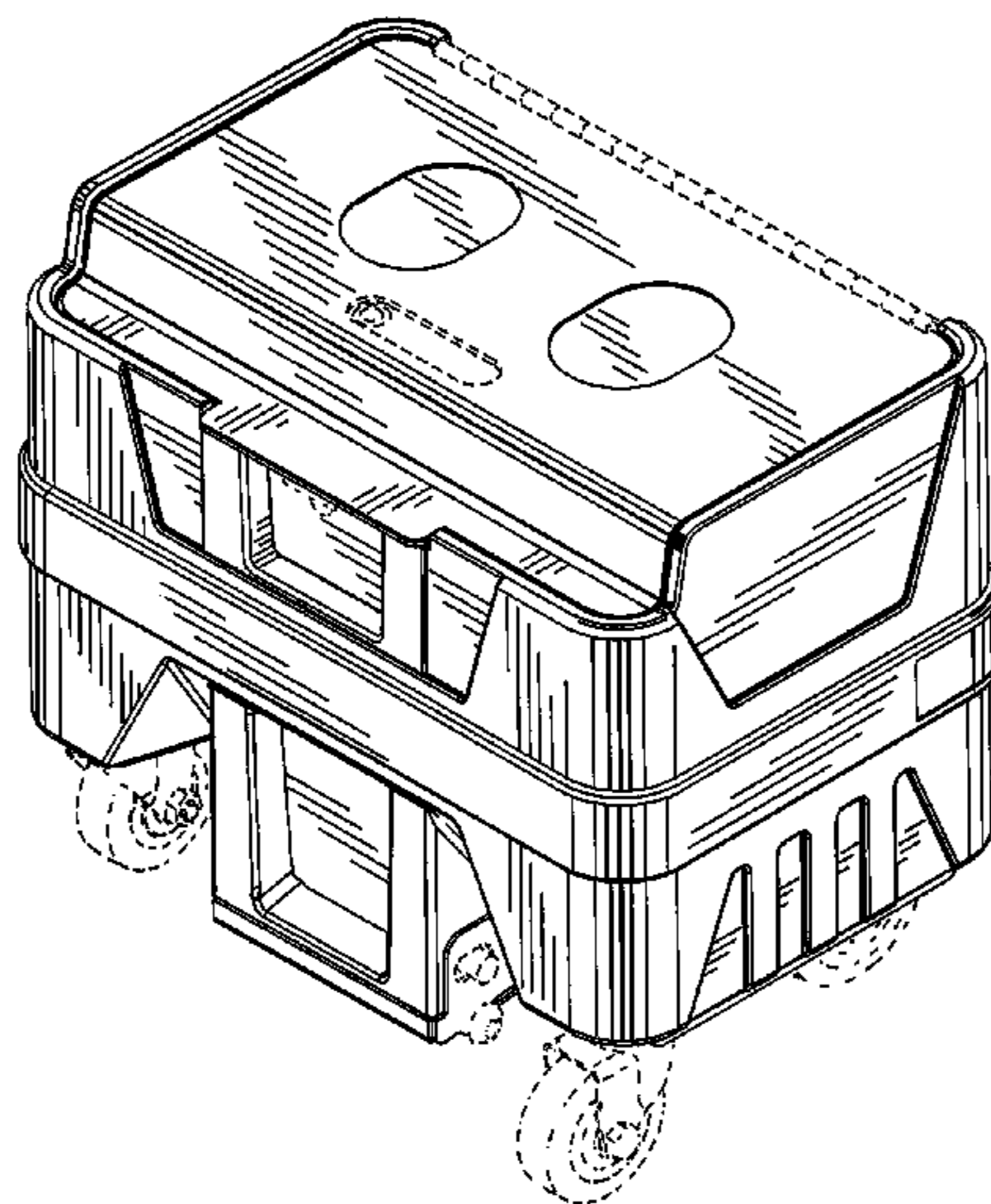
FIG. 4 is a rear elevational view thereof;

FIG. 5 is a top plan view thereof; and,

FIG. 6 is a bottom plan view thereof.

The broken lines represent environmental structure and form no part of the claimed design.

**1 Claim, 5 Drawing Sheets**



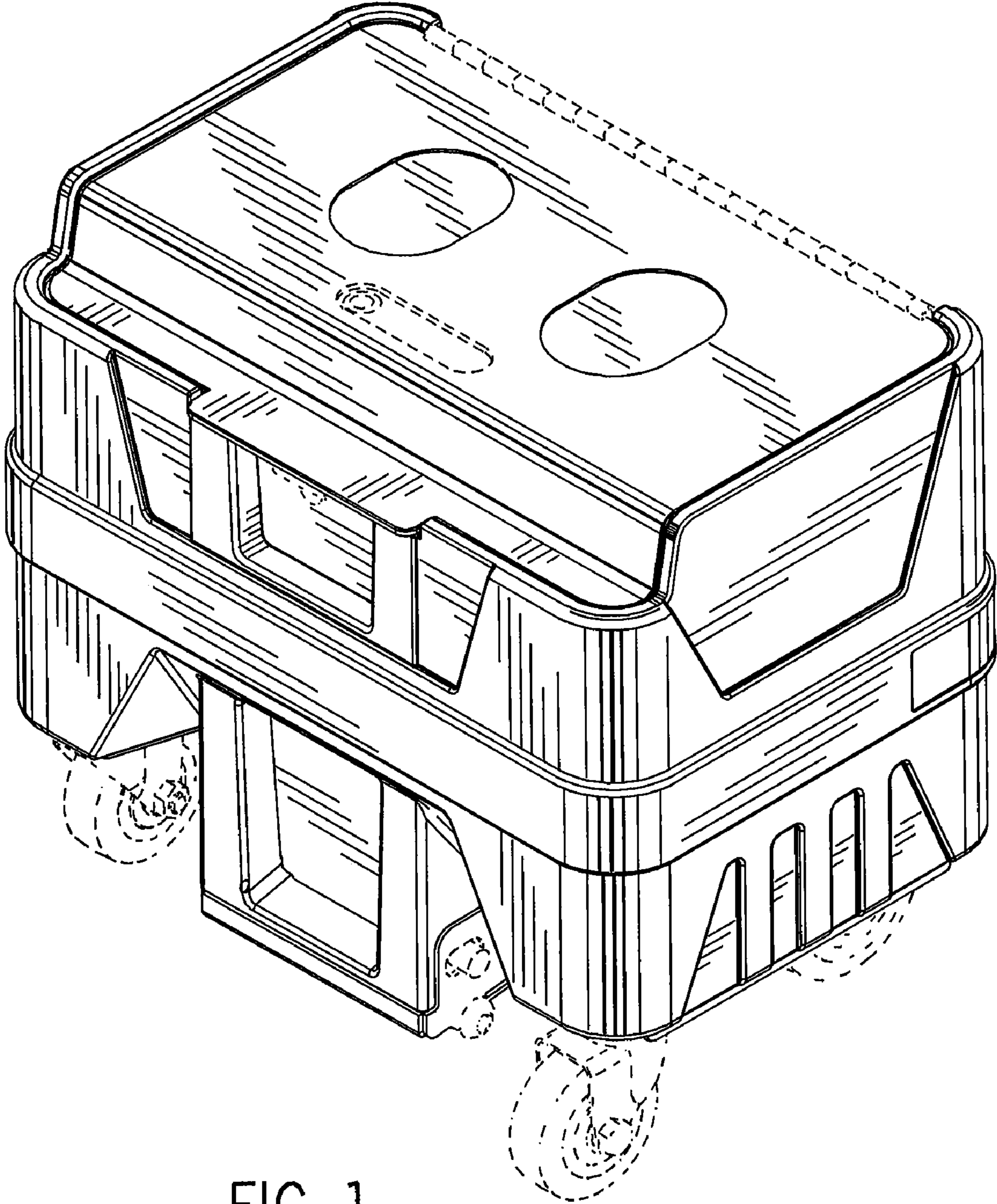


FIG. 1

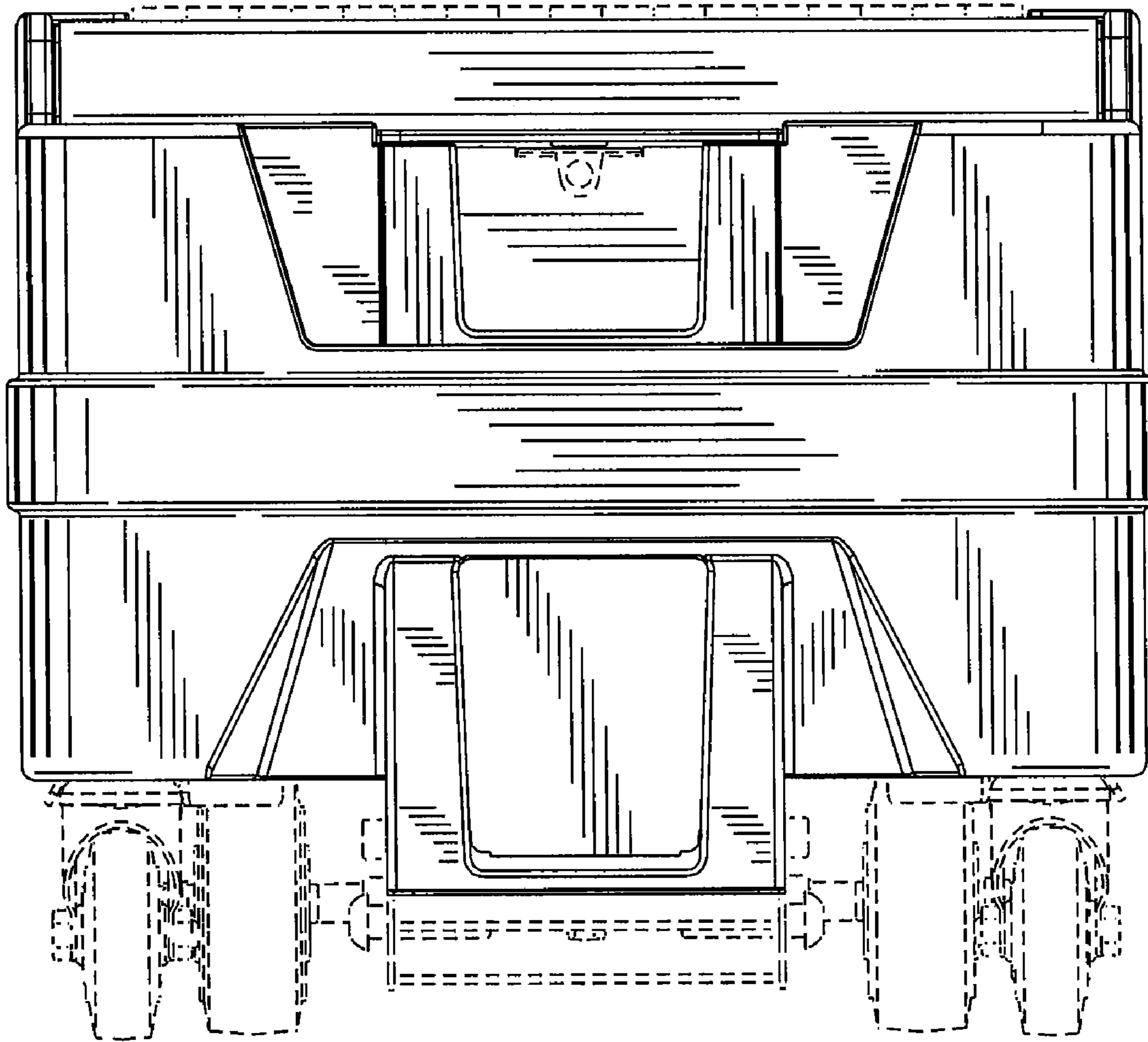


FIG. 2

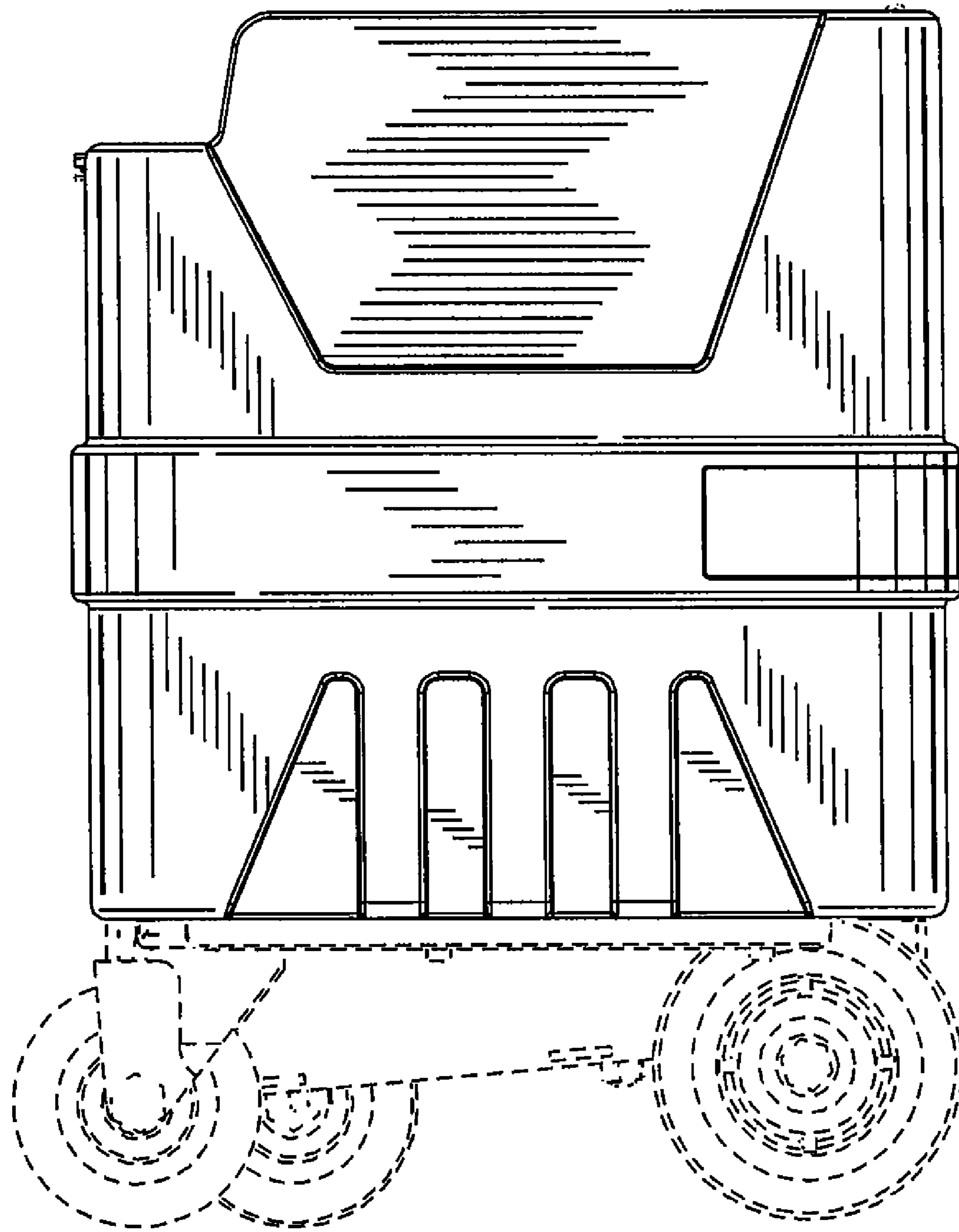


FIG. 3

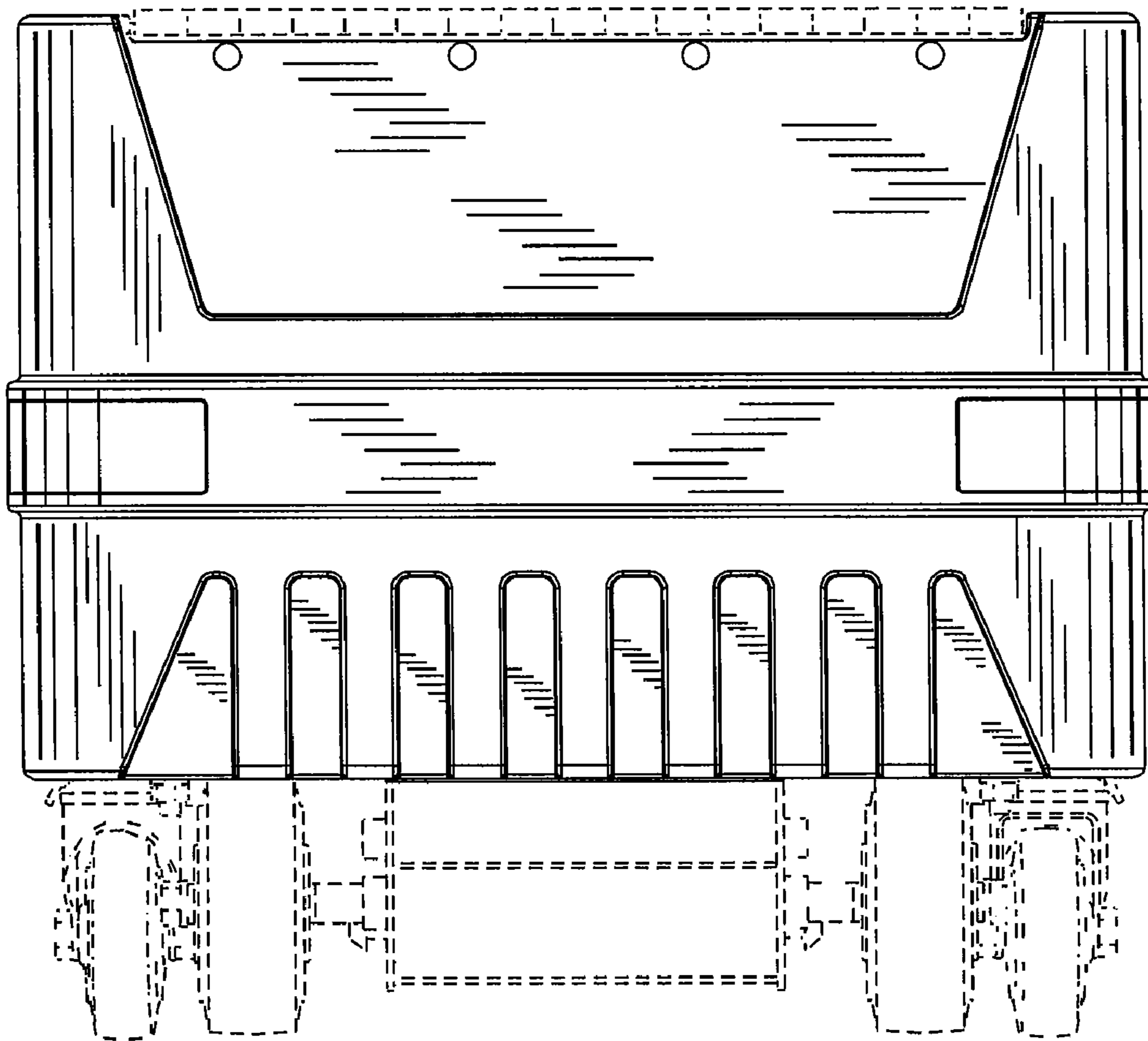


FIG. 4

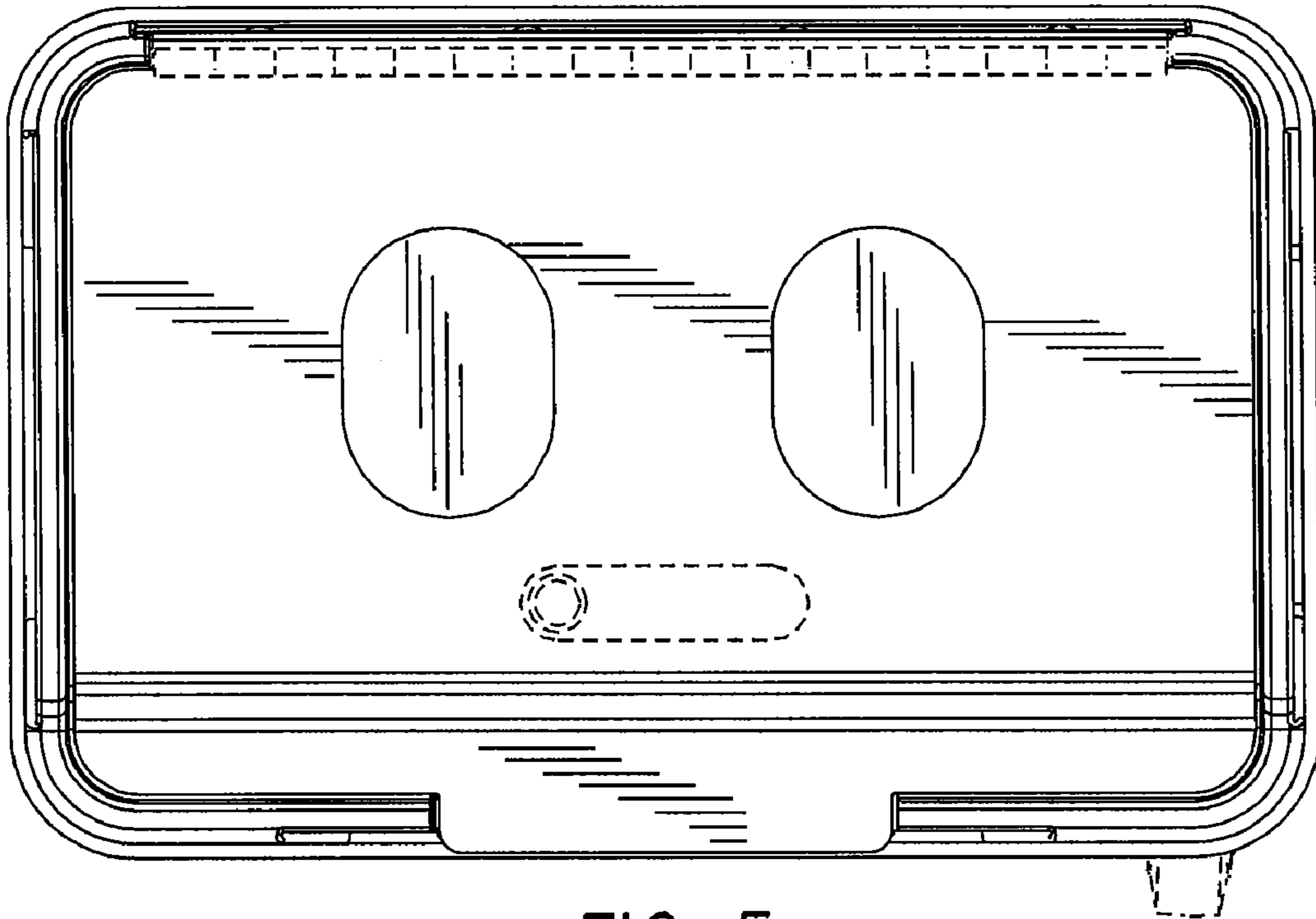


FIG. 5

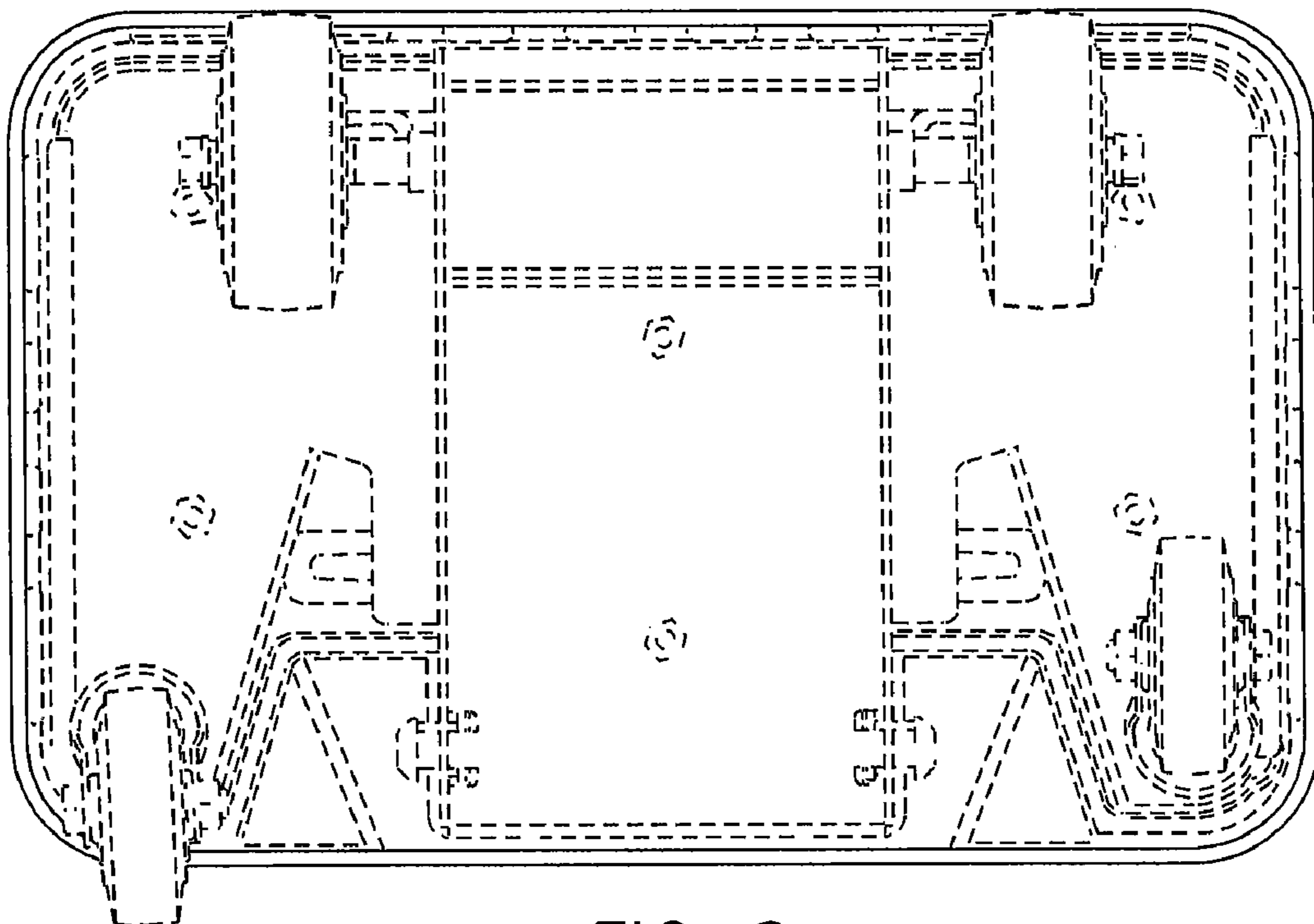


FIG. 6