



US00D574124S

(12) **United States Design Patent**
Huber

(10) **Patent No.:** **US D574,124 S**
(45) **Date of Patent:** **** Jul. 29, 2008**

(54) **PORTABLE SAFE**

(76) Inventor: **Stephen W. Huber**, 3524 Woodberry Pl.,
Bettenforf, IA (US) 52722

(**) Term: **14 Years**

(21) Appl. No.: **29/283,386**

(22) Filed: **Aug. 13, 2007**

(51) **LOC (8) Cl.** **06-04**

(52) **U.S. Cl.** **D99/28; D99/33**

(58) **Field of Classification Search** D99/28,
D99/34-43, 99; D18/3.1-3.3; D14/385,
D14/448, 173, 307, 901, 146, 144, 151; 235/375-381,
235/100; 705/35, 43; 109/2, 24.1, 50, 51,
109/53, 66, 83; 106/644; 52/659, 73; 902/8,
902/9, 21, 30; 340/5.41; 348/150; D20/1,
D20/2, 41; D25/16; 361/681, 683, 686,
361/687, 694; D6/573, 634; D3/201, 291,
D3/294, 276, 273; 220/8; 232/17, 34, 38,
232/44, 45

See application file for complete search history.

(56) **References Cited**

U.S. PATENT DOCUMENTS

384,855	A *	6/1888	Kidney	109/51
392,682	A *	11/1888	McNamara	220/8
534,012	A *	2/1895	Saunders	16/257
661,361	A *	11/1900	Weaver	232/34
D143,606	S *	1/1946	McGunn	D99/28
D172,997	S *	9/1954	Stallings	D99/32
D233,370	S *	10/1974	Bishop	D99/33
D234,704	S *	4/1975	Frantz	D99/28
D272,292	S *	1/1984	Campbell	D99/28
4,474,116	A	10/1984	Castenada, Jr. et al.	
D283,747	S *	5/1986	Margiloff	D99/33
4,649,723	A	3/1987	Appelbaum	
4,667,491	A	5/1987	Lokken et al.	

D325,456	S *	4/1992	Scaife	D99/28
5,235,920	A	8/1993	Hector	
D345,040	S *	3/1994	Hollins	D99/33
D350,009	S *	8/1994	Zajchowski	D99/99
5,624,071	A *	4/1997	Sosan	232/17
5,738,020	A	4/1998	Correia	
5,845,843	A *	12/1998	Kuller	232/38
6,378,769	B1 *	4/2002	Wolgamot	232/44
D467,730	S *	12/2002	Ekerot et al.	D3/273
D485,312	S *	1/2004	Gaska et al.	D20/41
D503,255	S *	3/2005	Lynch et al.	D99/43
7,175,071	B1 *	2/2007	Slagle et al.	232/45
2004/0045329	A1	3/2004	Farnham et al.	

* cited by examiner

Primary Examiner—Robert M. Spear
Assistant Examiner—Susan E Krakower
(74) *Attorney, Agent, or Firm*—Lathrop & Gage LC

(57) **CLAIM**

The ornamental design for a portable safe, as shown and described.

DESCRIPTION

FIG. 1 is a perspective view of a portable safe, showing the new design;

FIG. 2 is a front view of the portable safe of FIG. 1;

FIG. 3 is a rear view of the portable safe of FIG. 1.

FIG. 4 is a right side view of the portable safe of FIG. 1,

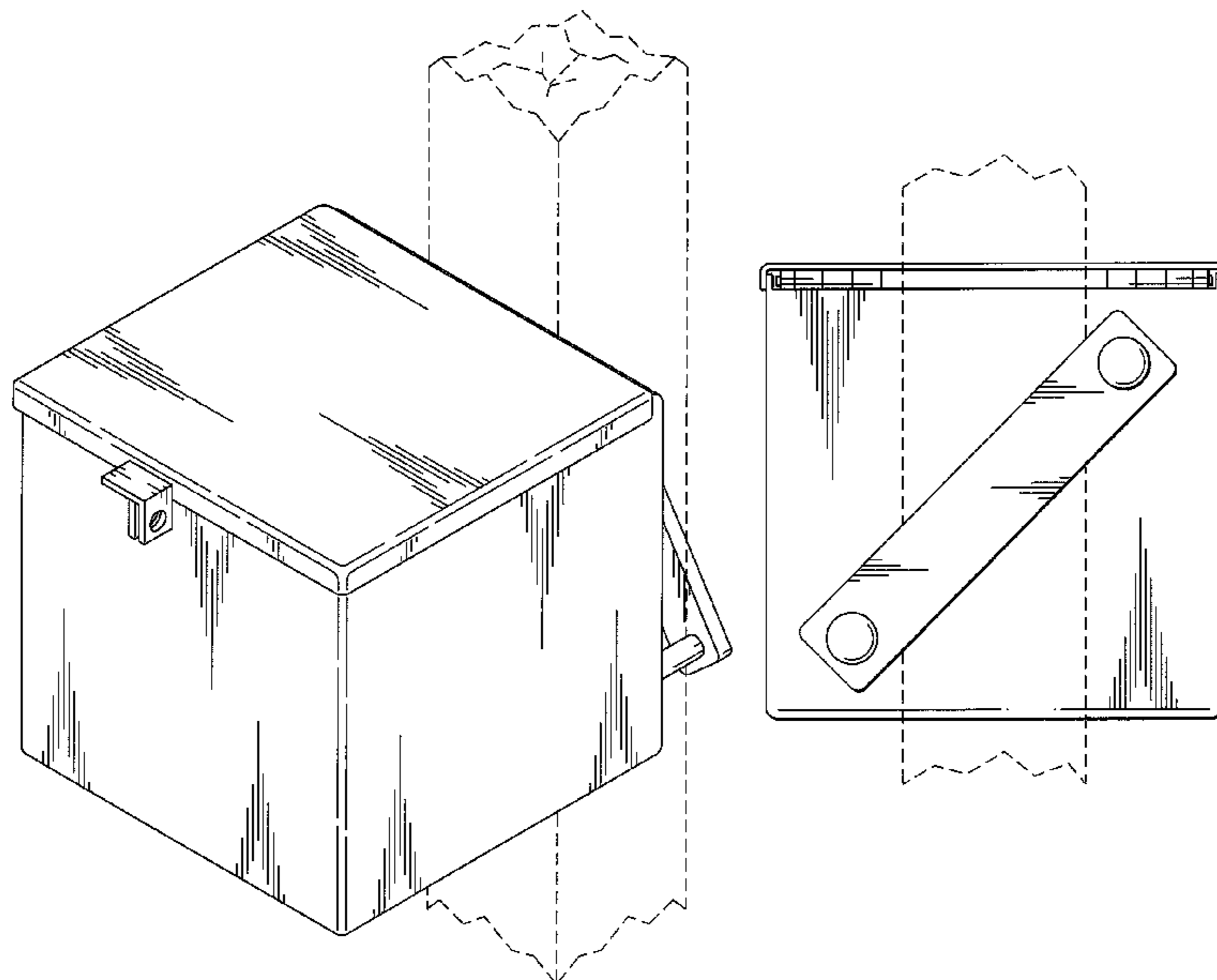
FIG. 5 is a left side view of the portable safe of FIG. 1,

FIG. 6 is a top view of the portable safe of FIG. 1; and,

FIG. 7 is a bottom view of the portable safe of FIG. 1.

The broken lines showing a support to which the portable safe is secured represent environmental structure and form no part of the claimed design.

1 Claim, 4 Drawing Sheets



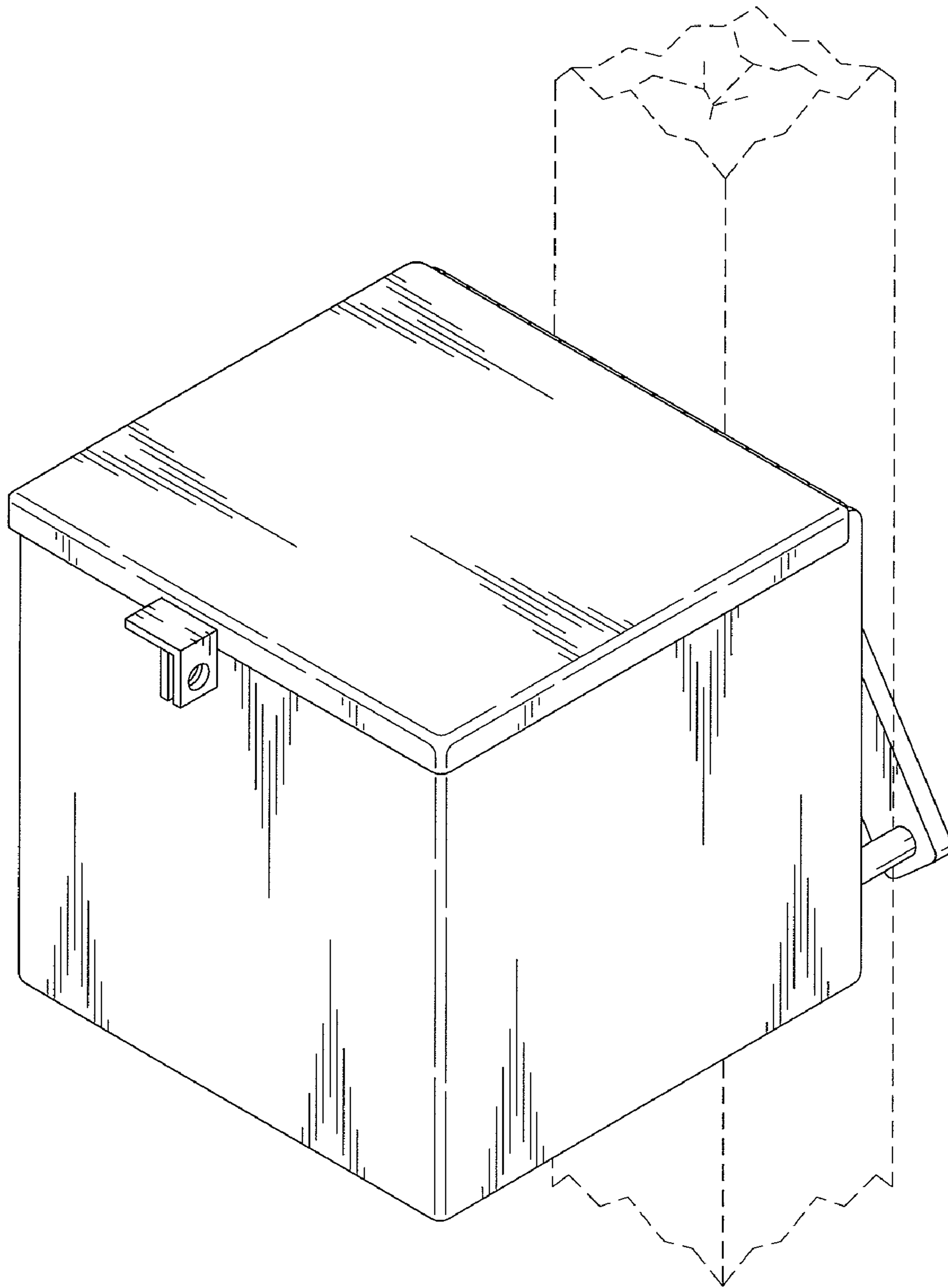


FIG. 1

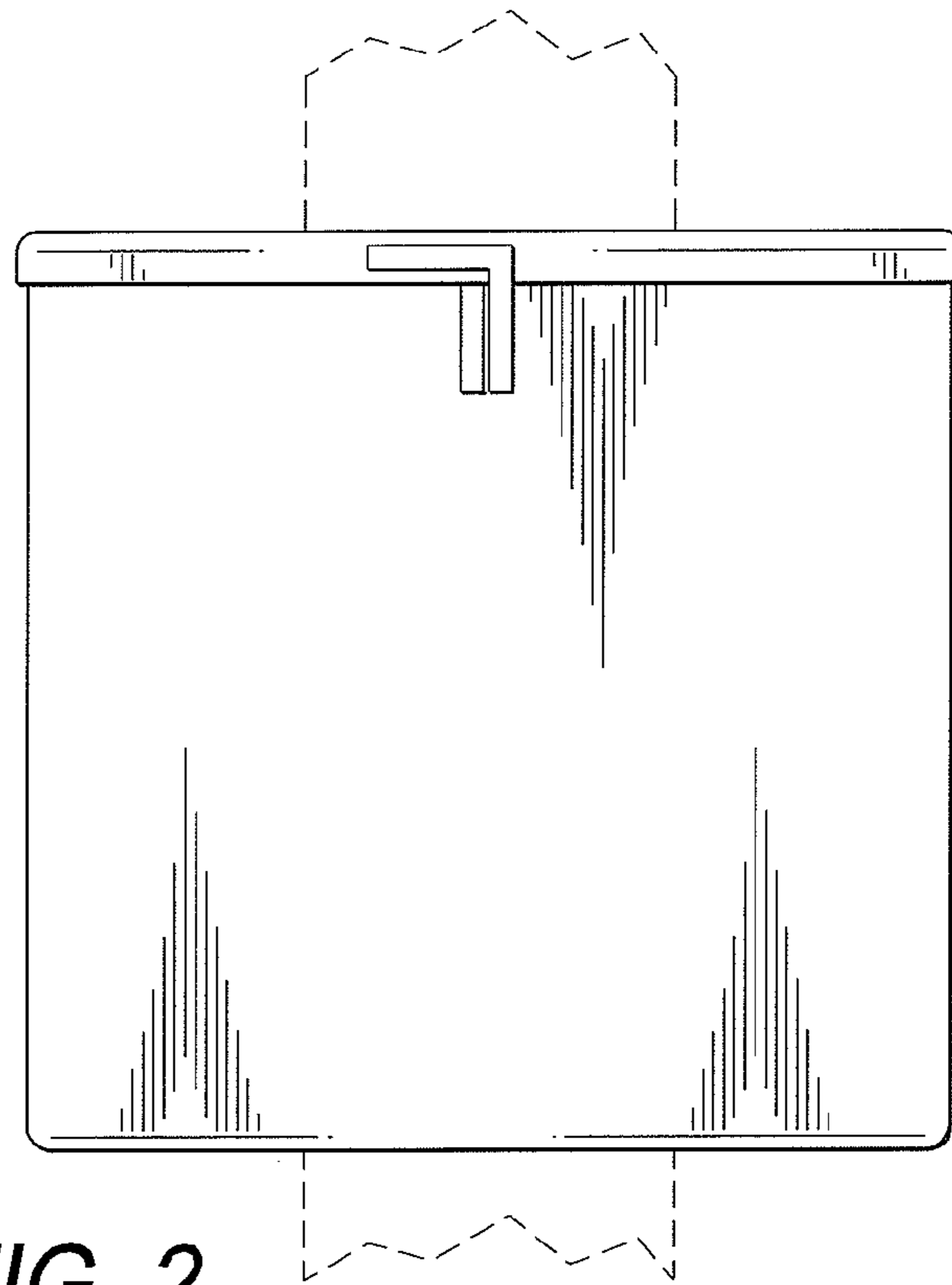


FIG. 2

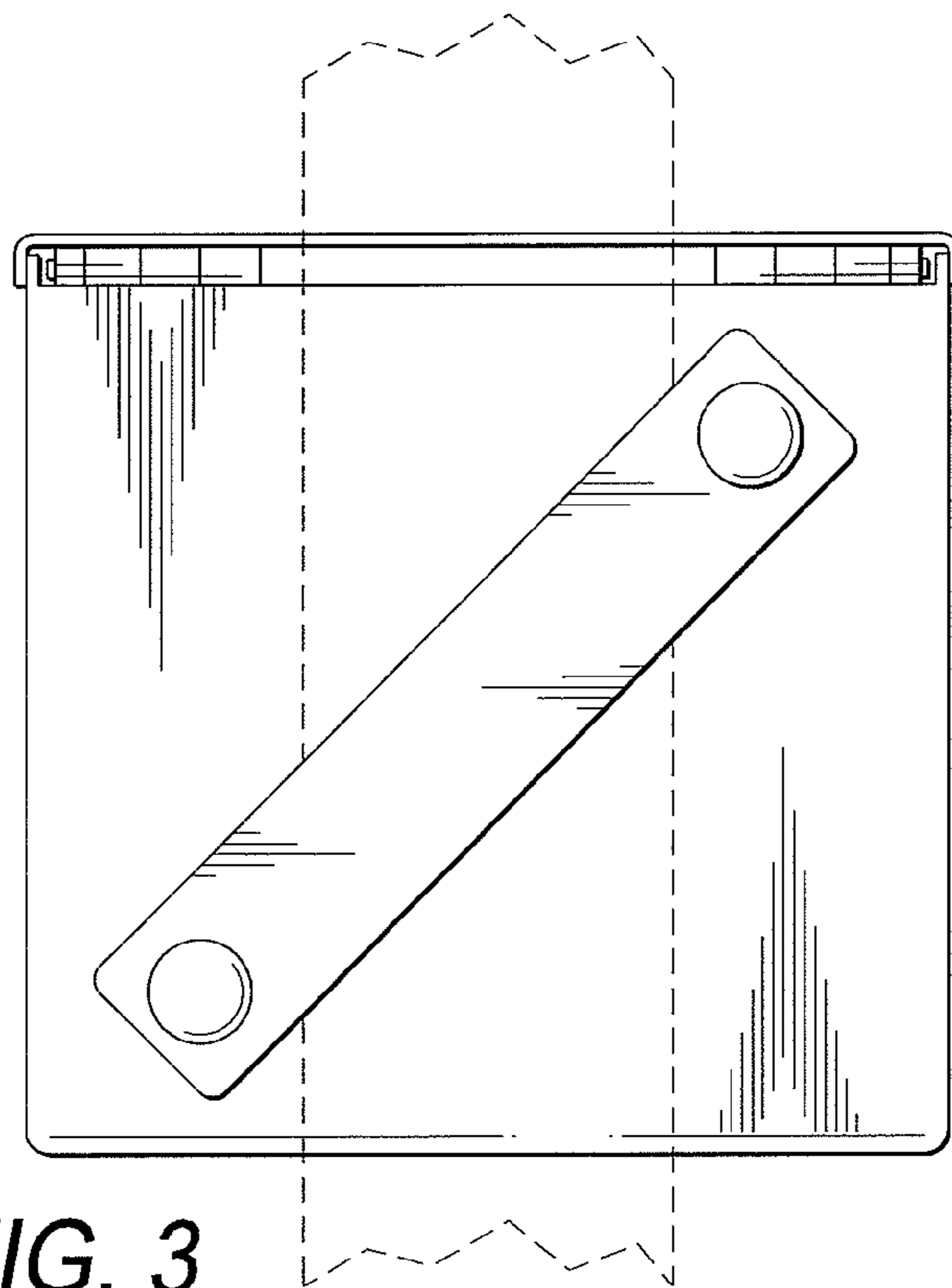


FIG. 3

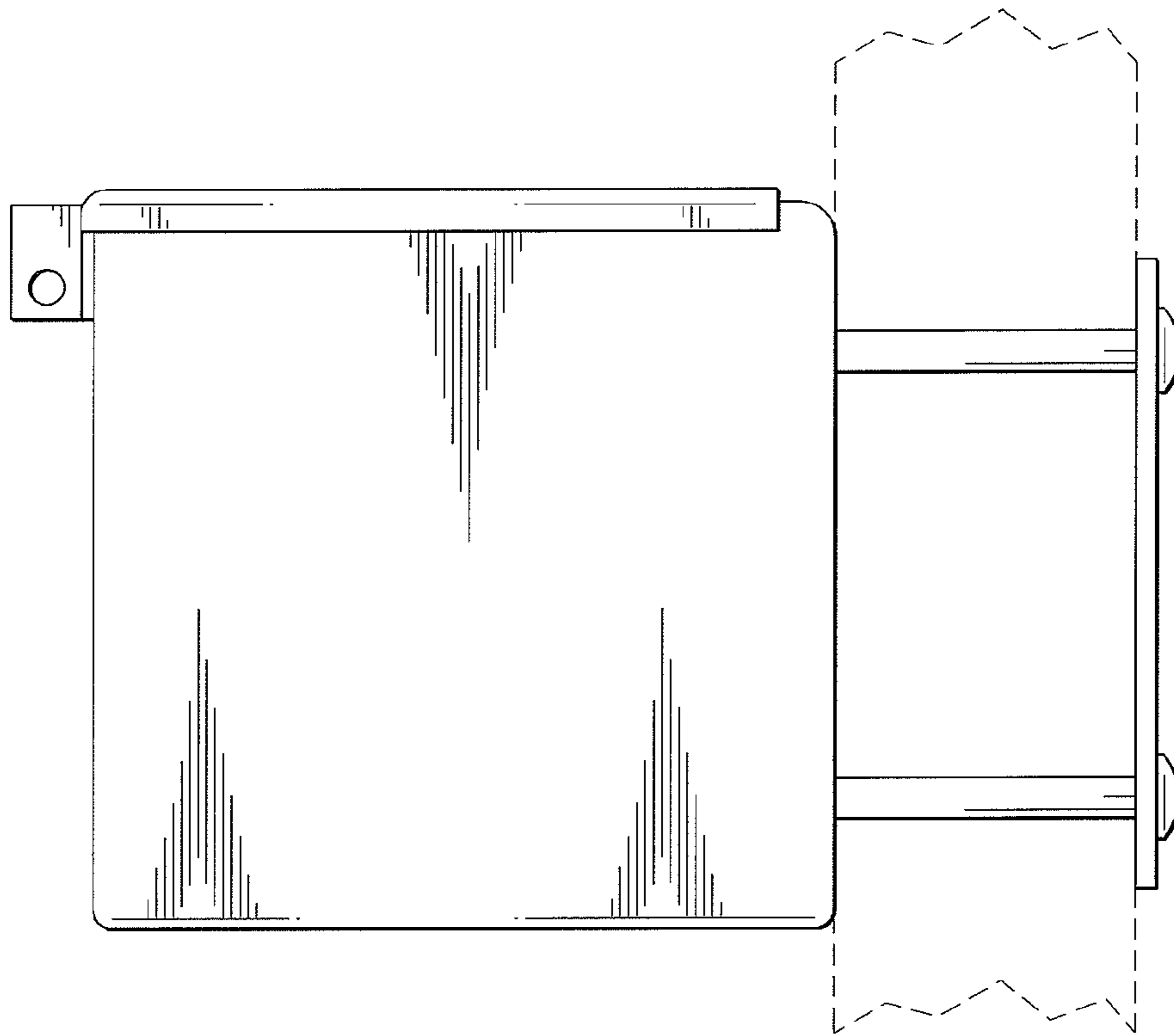


FIG. 4

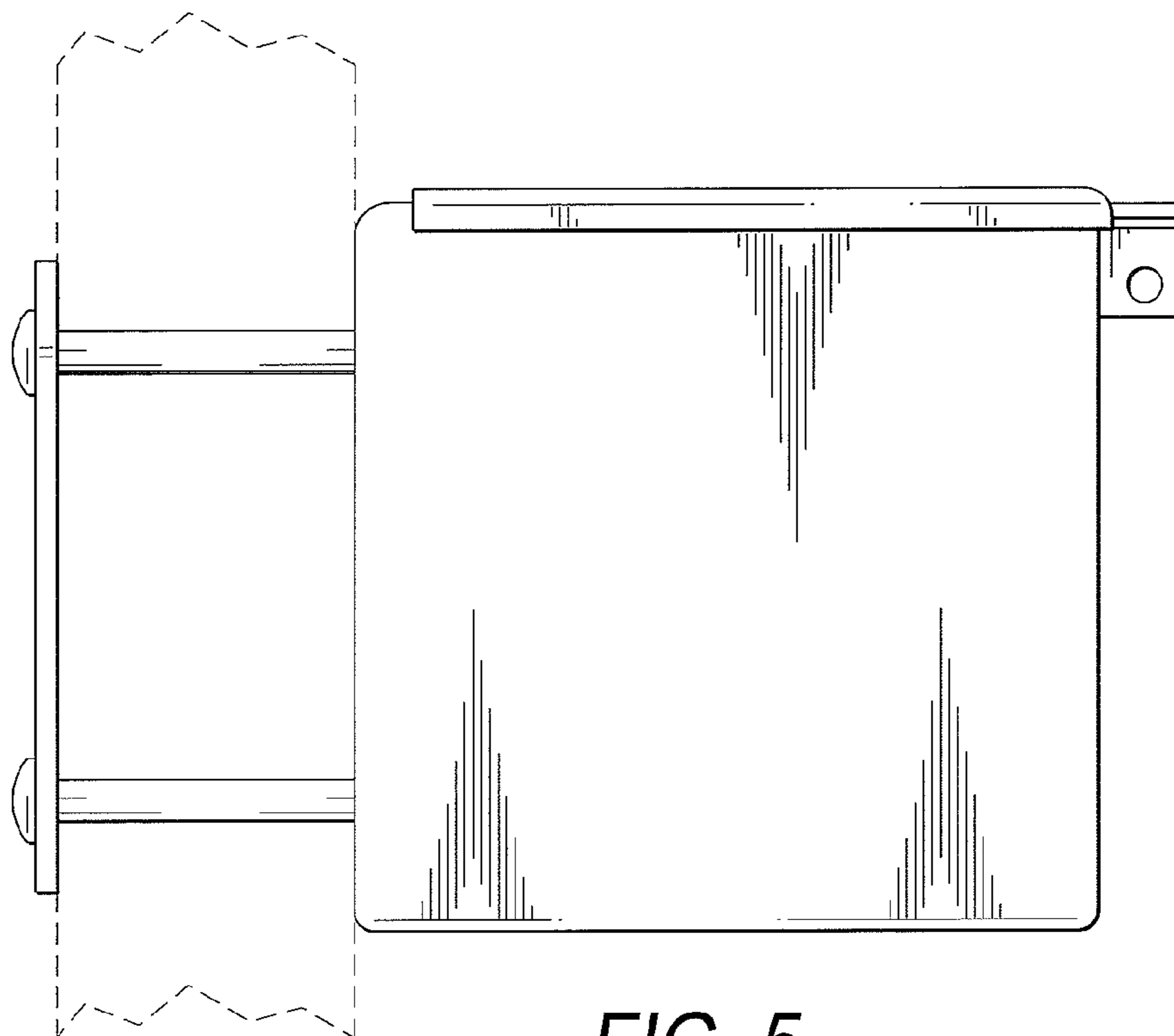


FIG. 5

FIG. 6

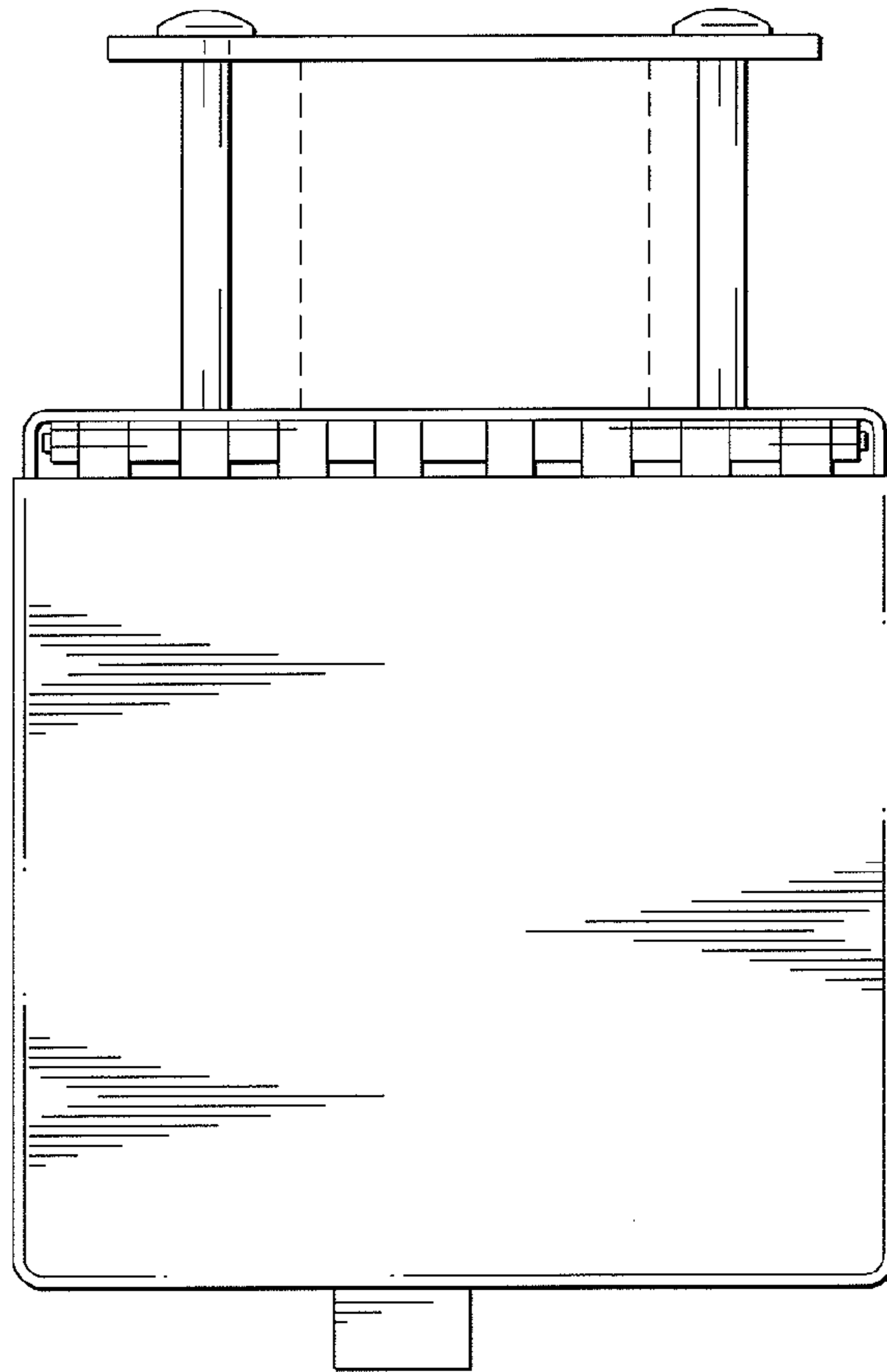


FIG. 7

