



US00D574123S

(12) **United States Design Patent**
Krause

(10) **Patent No.:** **US D574,123 S**
(45) **Date of Patent:** **** Jul. 29, 2008**

(54) **COIL STORAGE UNIT**

(75) Inventor: **Ernst Krause**, London (CA)

(73) Assignee: **Eastern Woods Engineering Professional Corporation (CA)**

(**) Term: **14 Years**

(21) Appl. No.: **29/255,893**

(22) Filed: **Mar. 13, 2006**

(51) **LOC (8) Cl.** **09-08**

(52) **U.S. Cl.** **D34/38**

(58) **Field of Classification Search** D8/356;
206/408, 389

See application file for complete search history.

(56) **References Cited**

U.S. PATENT DOCUMENTS

3,014,577	A *	12/1961	Bruestle	206/408
4,588,083	A *	5/1986	Hunt	206/389
4,623,063	A *	11/1986	Balkin	206/408
D324,644	S *	3/1992	Jacobs	D8/356
5,826,721	A *	10/1998	Fujimoto et al.	206/389
6,938,767	B2 *	9/2005	Gelmetti	206/408

FOREIGN PATENT DOCUMENTS

EP 528408 A1 * 2/1993

OTHER PUBLICATIONS

Safety Supports, Inc. designs, Sep. 19, 2003.

* cited by examiner

Primary Examiner—Holly H Baynham

(74) *Attorney, Agent, or Firm*—Waddey & Patterson, P.C.;
Emily A. Shouse

(57) **CLAIM**

I claim the ornamental design for a coil storage unit, as shown and described.

DESCRIPTION

FIG. 1 is a top view of the coil storage unit.

FIG. 2 is a front view of the coil storage unit. The back view is identical.

FIG. 3 is a right side view of the coil storage unit. The left side view is identical.

FIG. 4 is a bottom view of the coil storage unit.

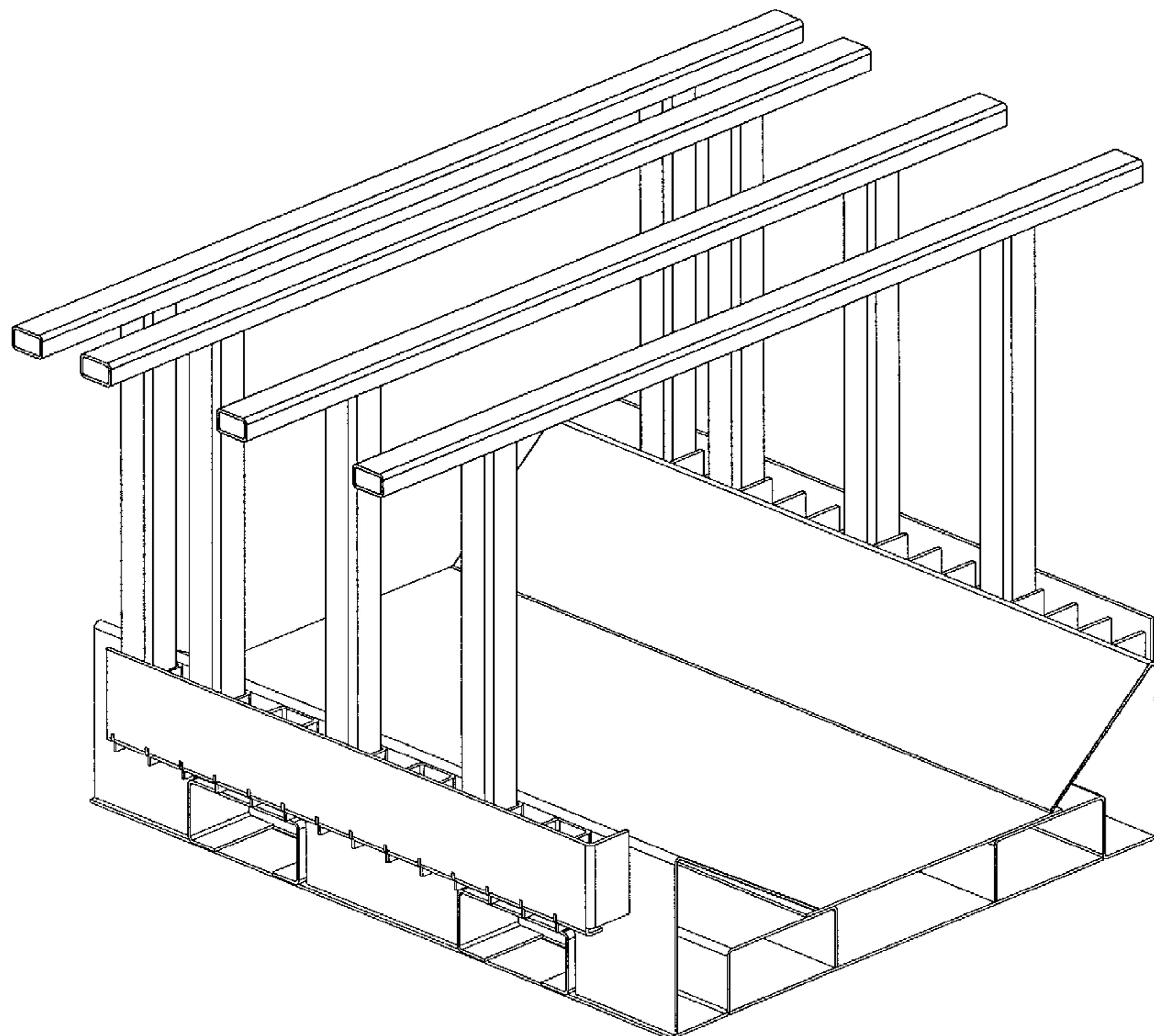
FIG. 5 is a perspective view of the coil storage unit.

FIG. 6 is a second embodiment of FIG. 2, the only difference being the curvature of the cradle; and,

FIG. 7 is a second embodiment of FIG. 5, the only difference being the curvature of the cradle.

The design consists of the features of shape, ornament, pattern and configuration of the entire coil storage unit shown in the drawings. FIGS. 6 and 7 show a second embodiment of the coil storage unit in which the cradle is curved.

1 Claim, 7 Drawing Sheets



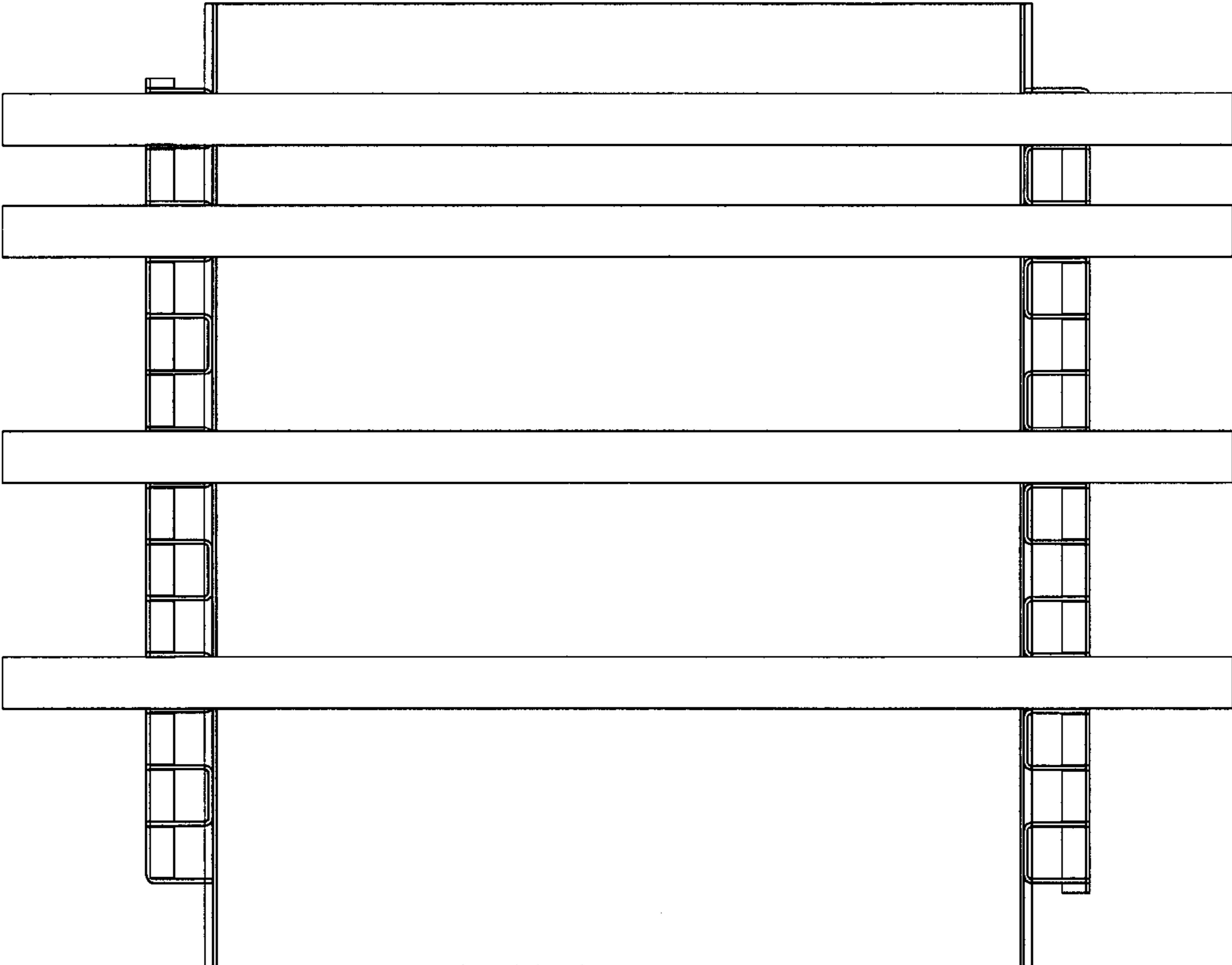


FIG. 1

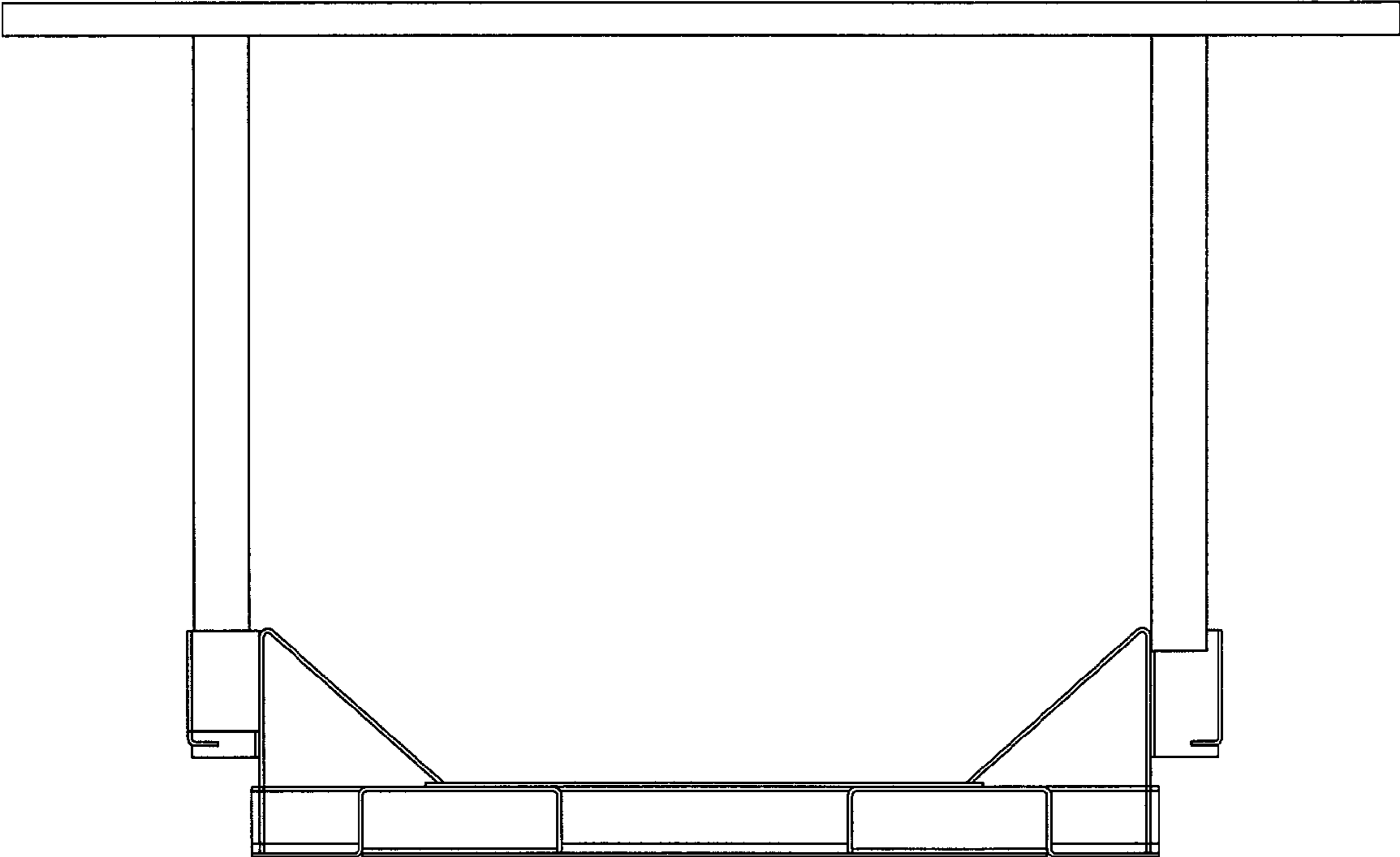


FIG. 2

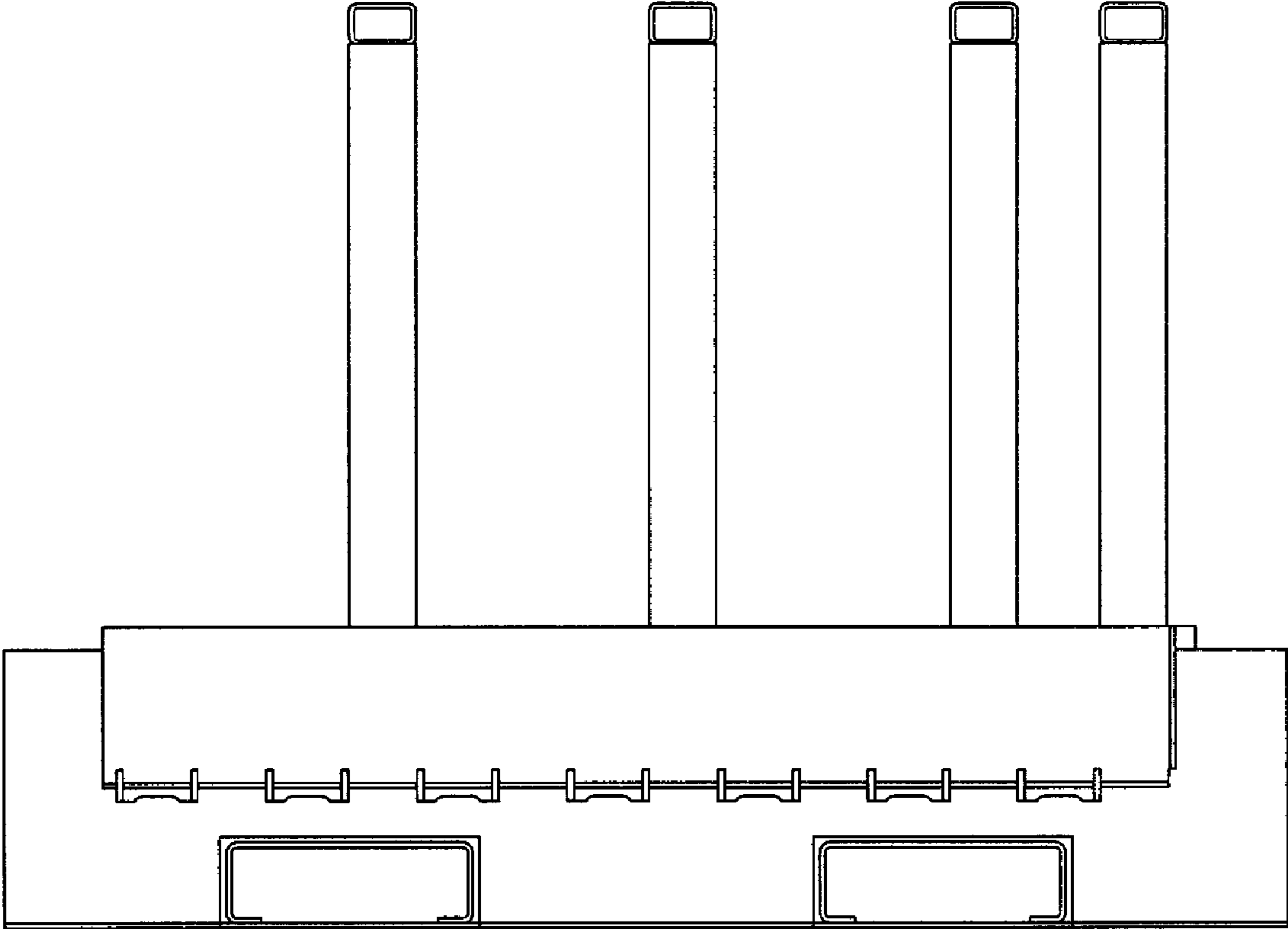


FIG. 3

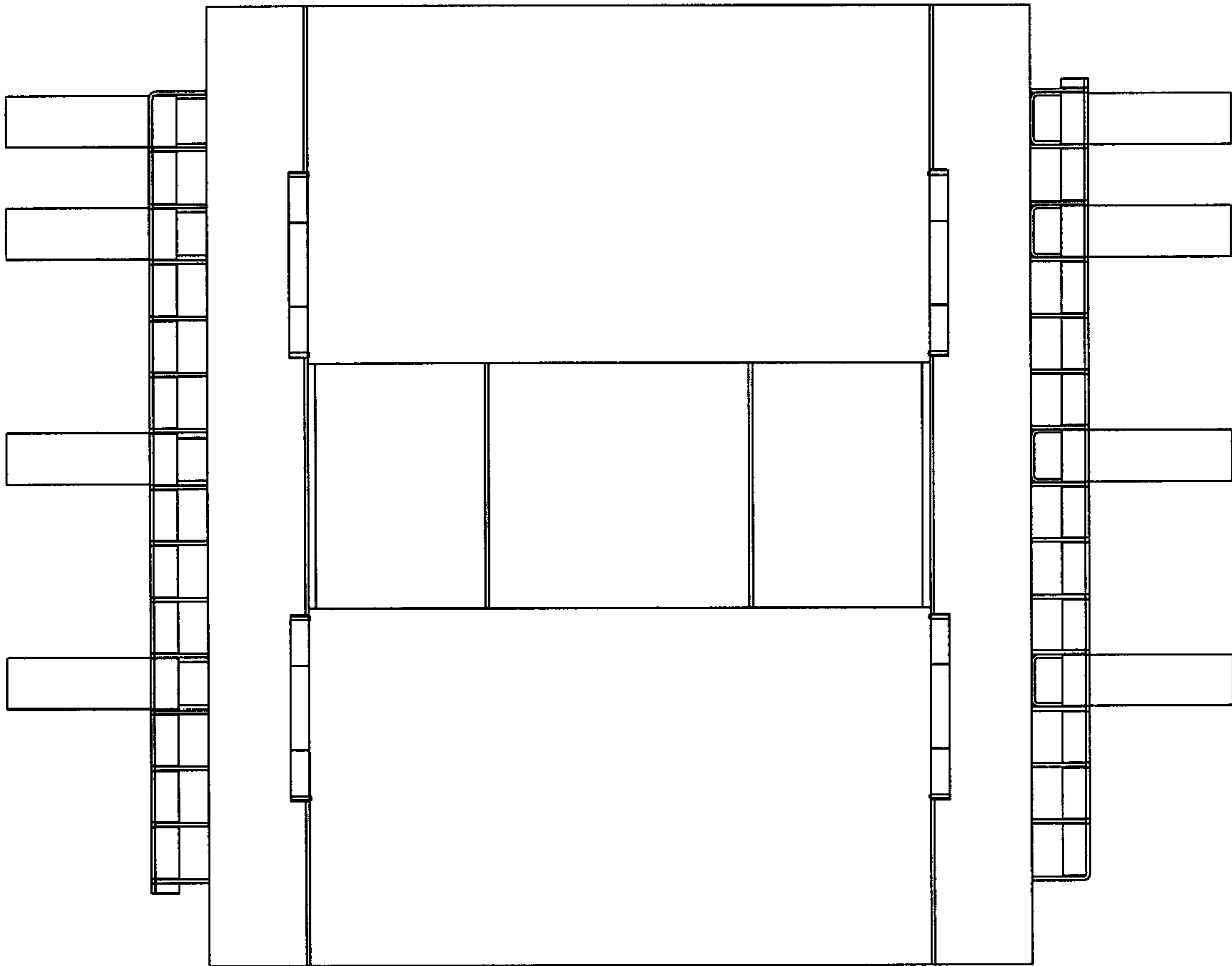


FIG. 4

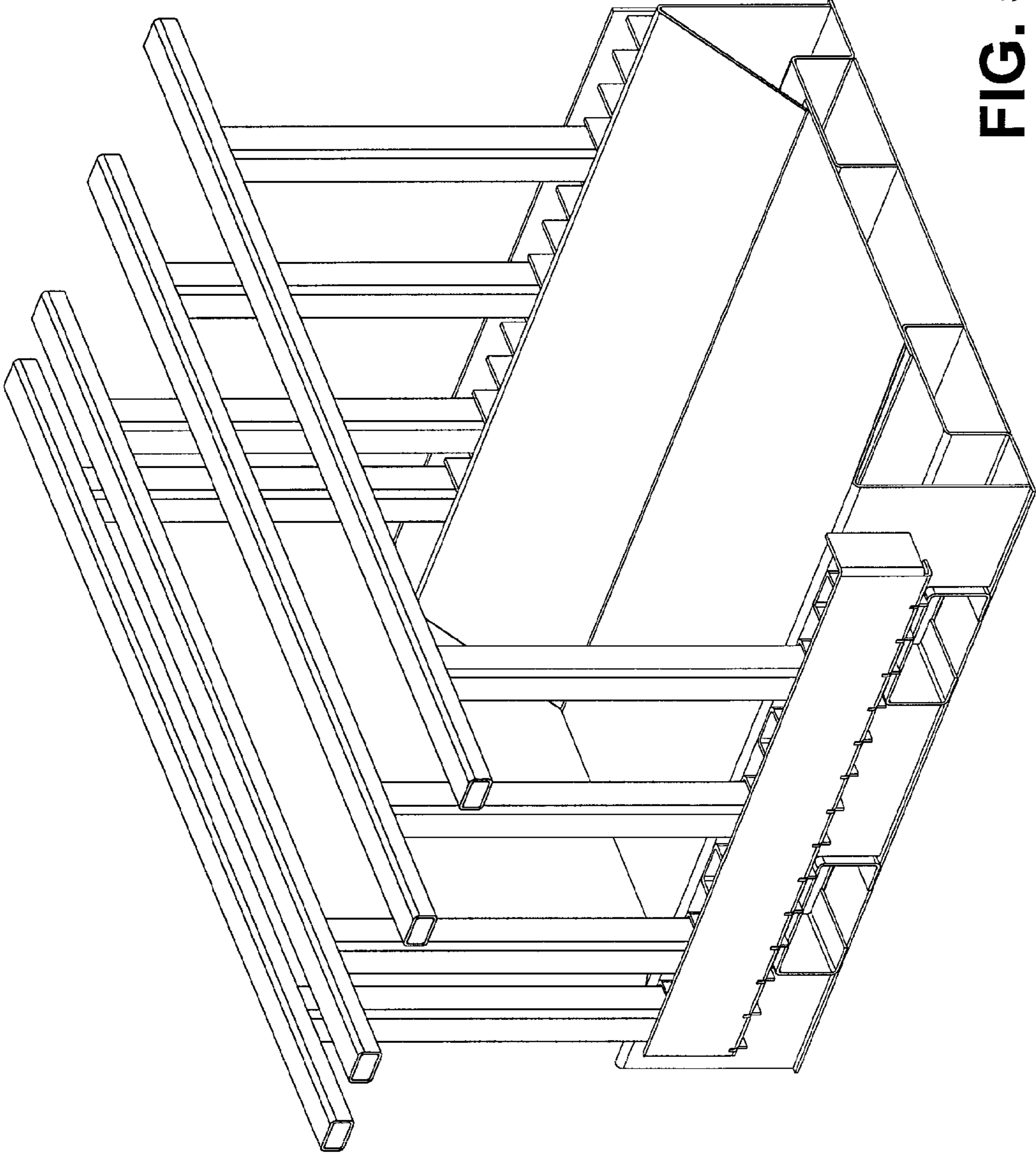


FIG. 5

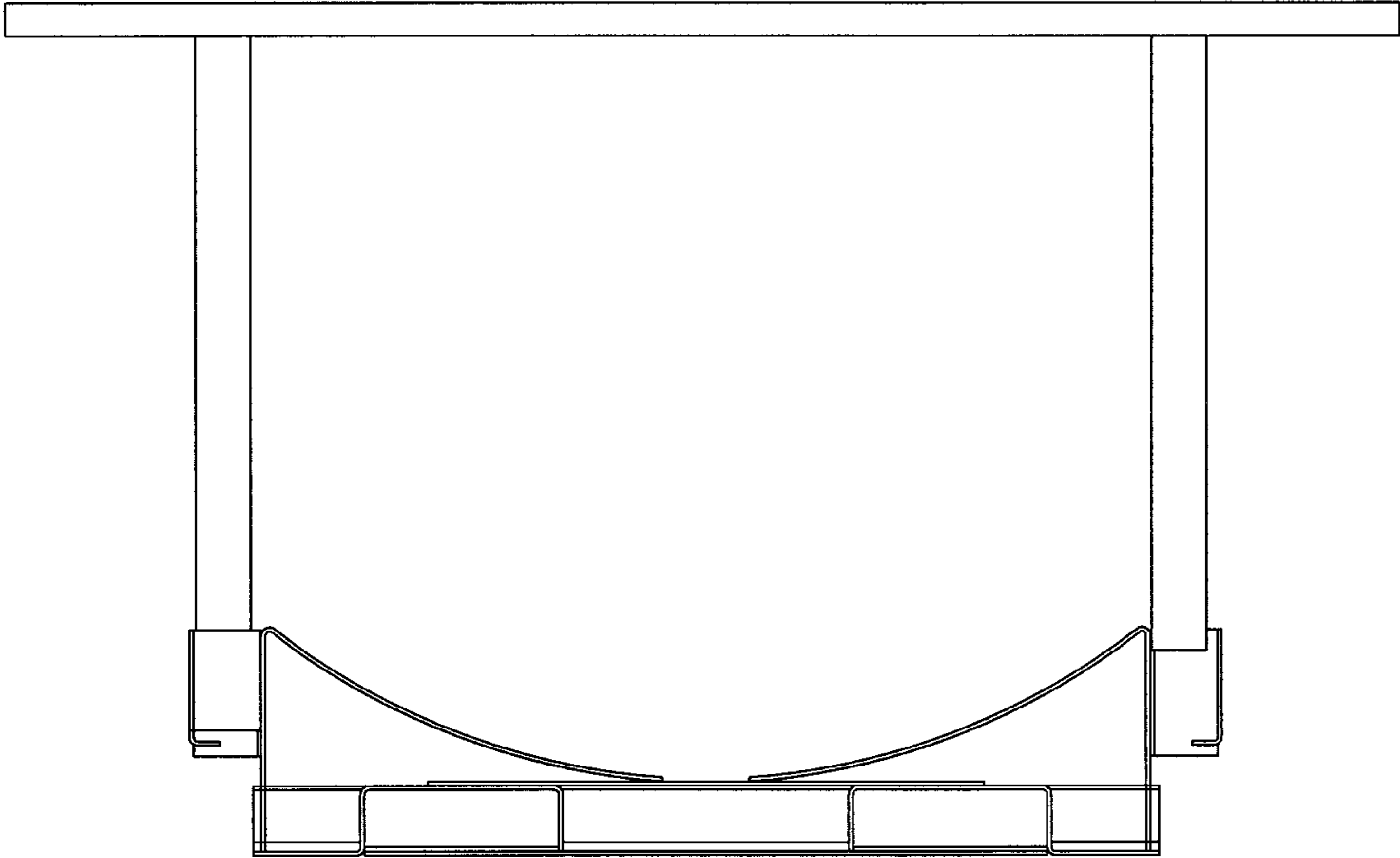


FIG. 6

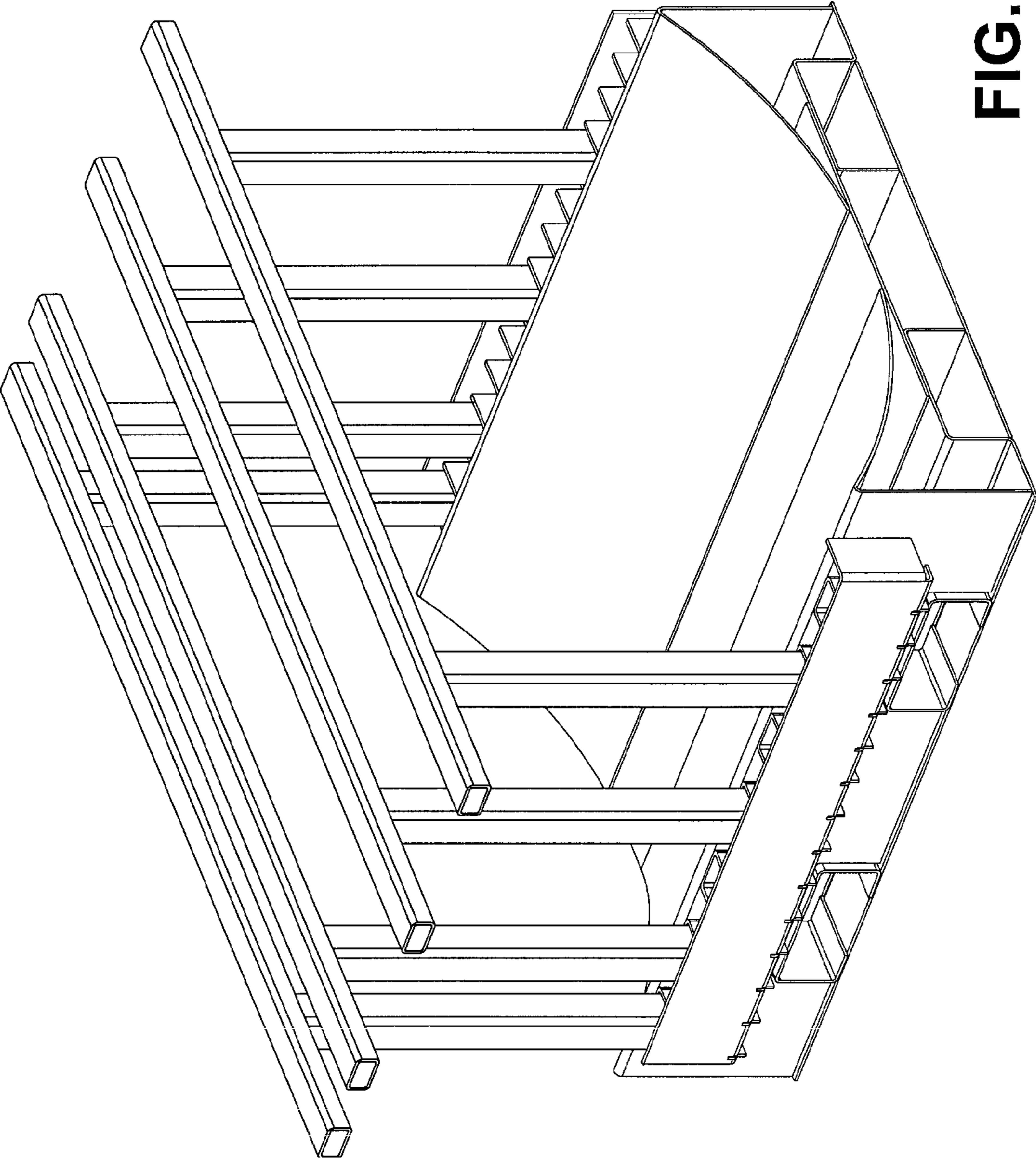


FIG. 7