



US00D574121S

(12) **United States Design Patent**
Song et al.

(10) **Patent No.:** **US D574,121 S**
(45) **Date of Patent:** **** Jul. 29, 2008**

(54) **WHEELBARROW**

(76) Inventors: **Marc Song**, 1532 La Mesa Ave., Spring Valley, CA (US) 91977; **Willy Bates**, 1532 La Mesa Ave., Spring Valley, CA (US) 91977

(**) Term: **14 Years**

(21) Appl. No.: **29/288,543**

(22) Filed: **Jun. 13, 2007**

(51) **LOC (8) Cl.** **12-02**

(52) **U.S. Cl.** **D34/16**

(58) **Field of Classification Search** D34/12-27;
280/47.15, 47.12, 47.315, 47.131, 47.17,
280/47.19, 47.26, 47.33, 47.18, 653; 301/114,
301/125; 298/3

See application file for complete search history.

(56) **References Cited**

U.S. PATENT DOCUMENTS

264,637	A *	9/1882	Devey	280/47.12
1,032,009	A *	7/1912	Long	298/3
D183,179	S *	7/1958	Pasin	D34/24
4,335,897	A *	6/1982	Muller, Jr.	280/47.18
5,033,760	A *	7/1991	Evans	280/47.26
5,149,116	A *	9/1992	Donze et al.	280/47.26
D374,958	S *	10/1996	Watanabe	D34/16

D404,883	S *	1/1999	Shuchart et al.	D34/27
D456,971	S *	5/2002	Abel	D34/16
D535,451	S *	1/2007	Lim	D34/16
D544,173	S *	6/2007	Mullen et al.	D34/16

* cited by examiner

Primary Examiner—Cynthia E Ramirez

(74) *Attorney, Agent, or Firm*—Donn K. Harms

(57) **CLAIM**

The ornamental design for a wheelbarrow, as shown and described.

DESCRIPTION

FIG. 1 is perspective view of my new design for a wheelbarrow;

FIG. 2 is a top view thereof;

FIG. 3 is a right side elevation view thereof;

FIG. 4 is a left side elevation view thereof;

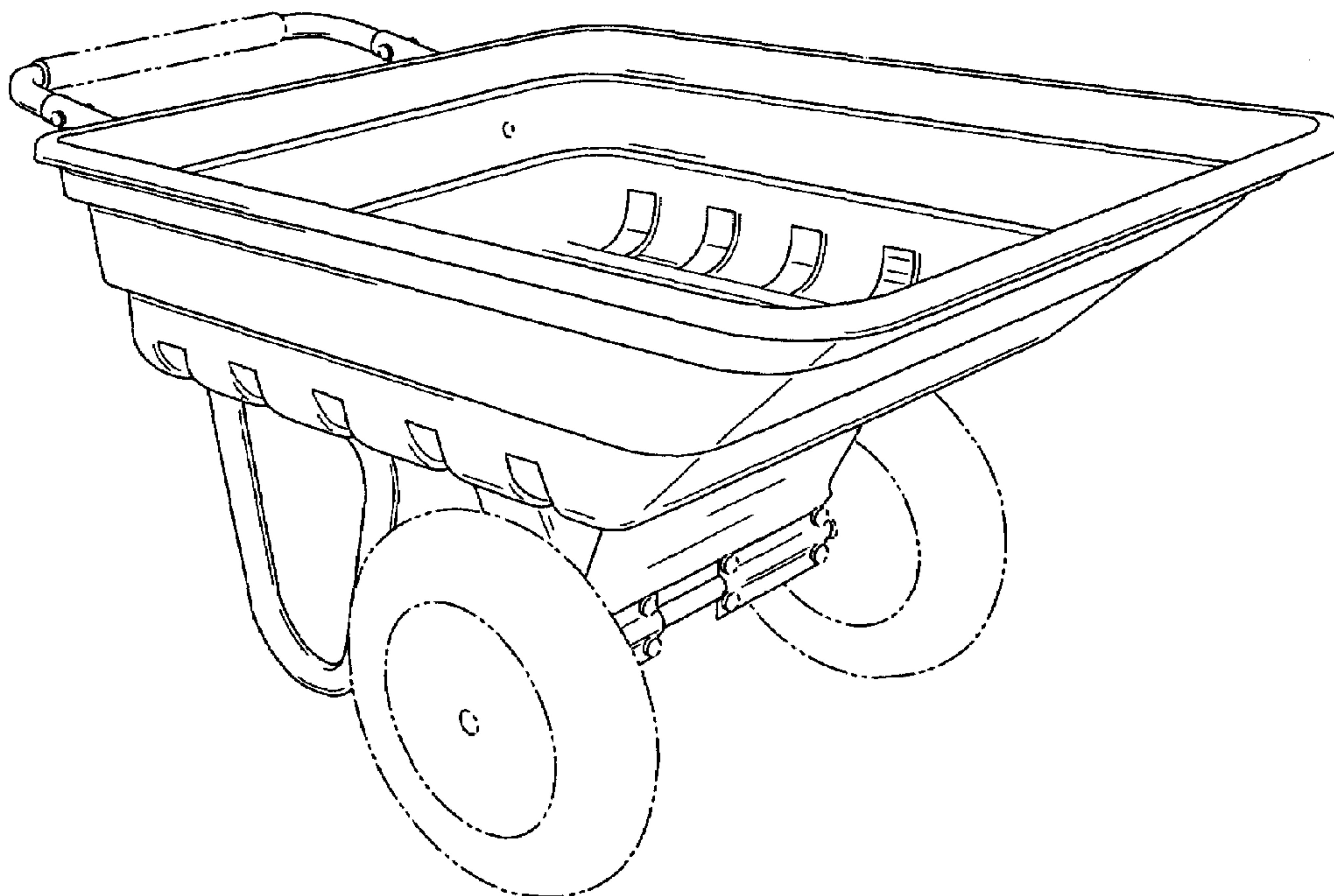
FIG. 5 is a first end view thereof;

FIG. 6 is a second end view thereof opposite that of FIG. 5; and,

FIG. 7 is a bottom view thereof.

The portions shown in broken lines are included for illustrative purposes only and form no part of the claimed design.

1 Claim, 5 Drawing Sheets



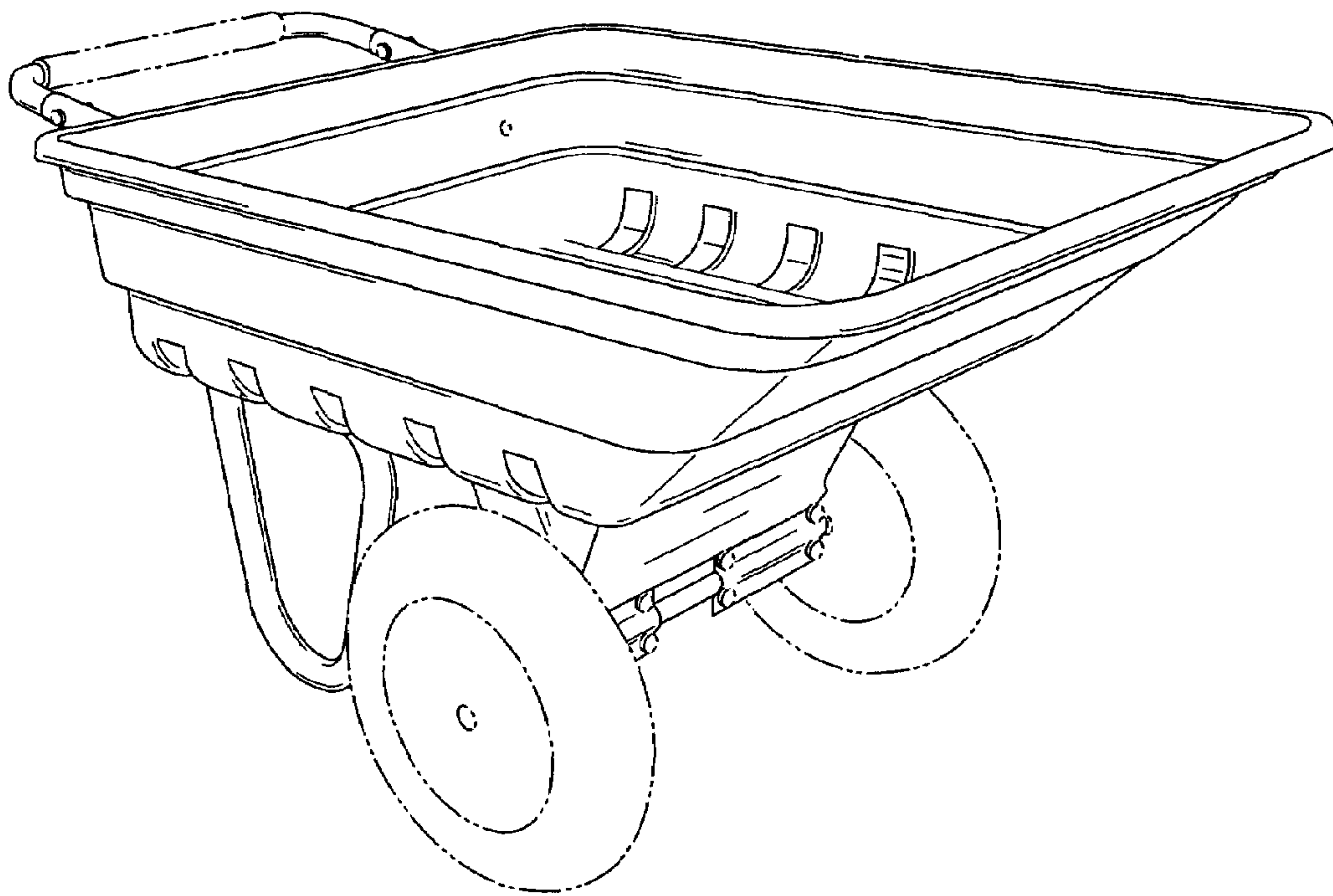


Fig. 1

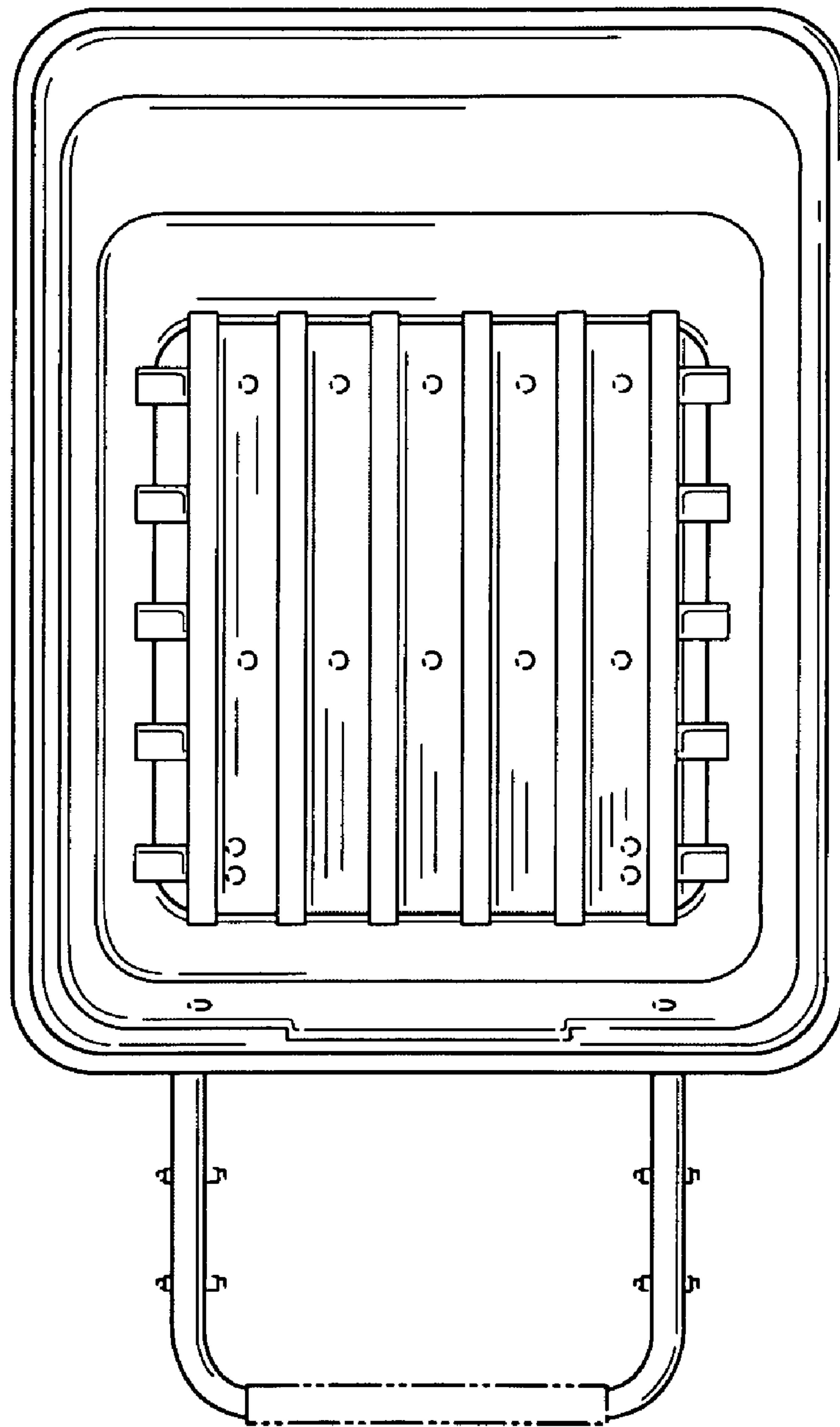


Fig. 2

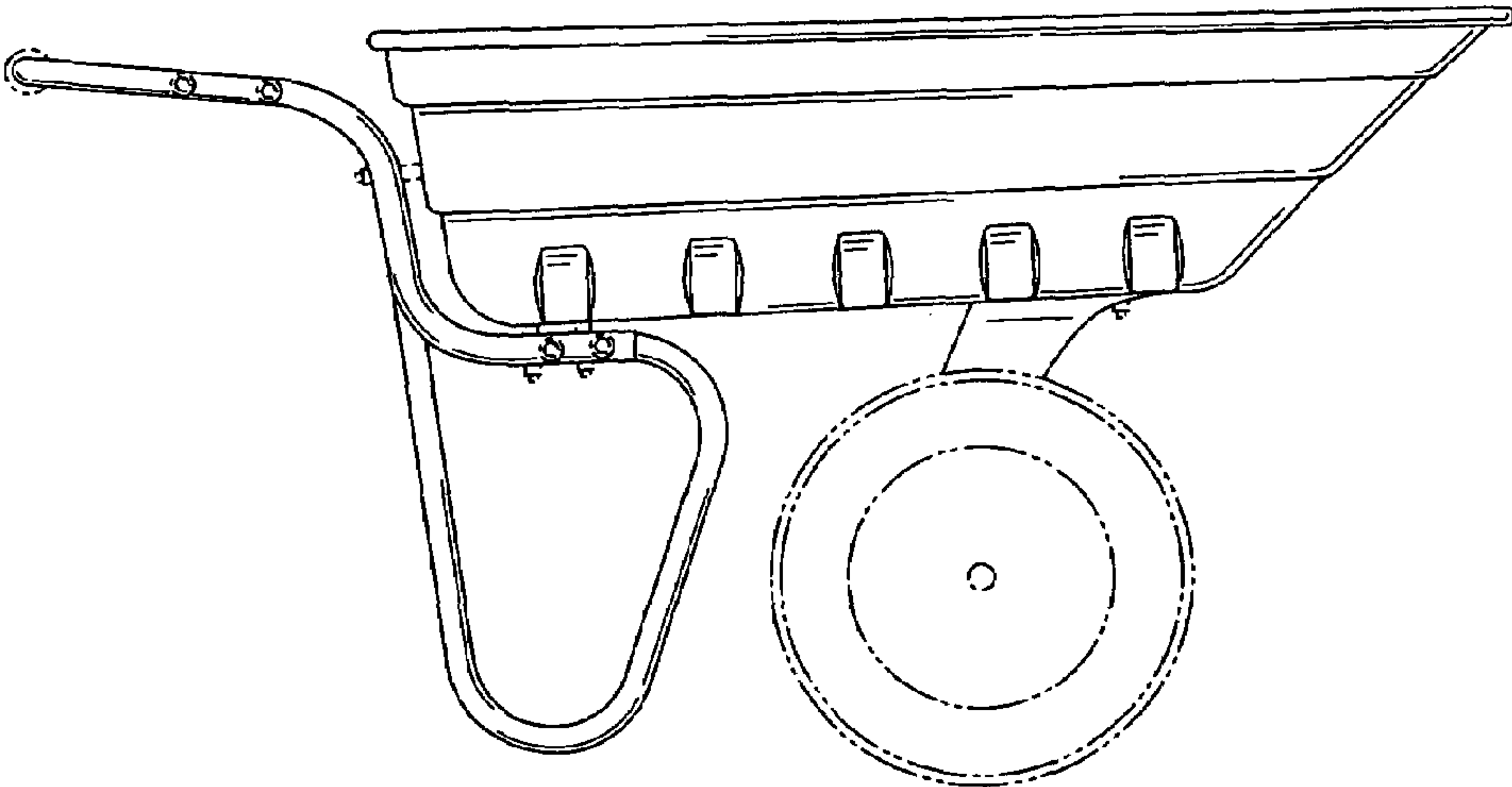


Fig. 3

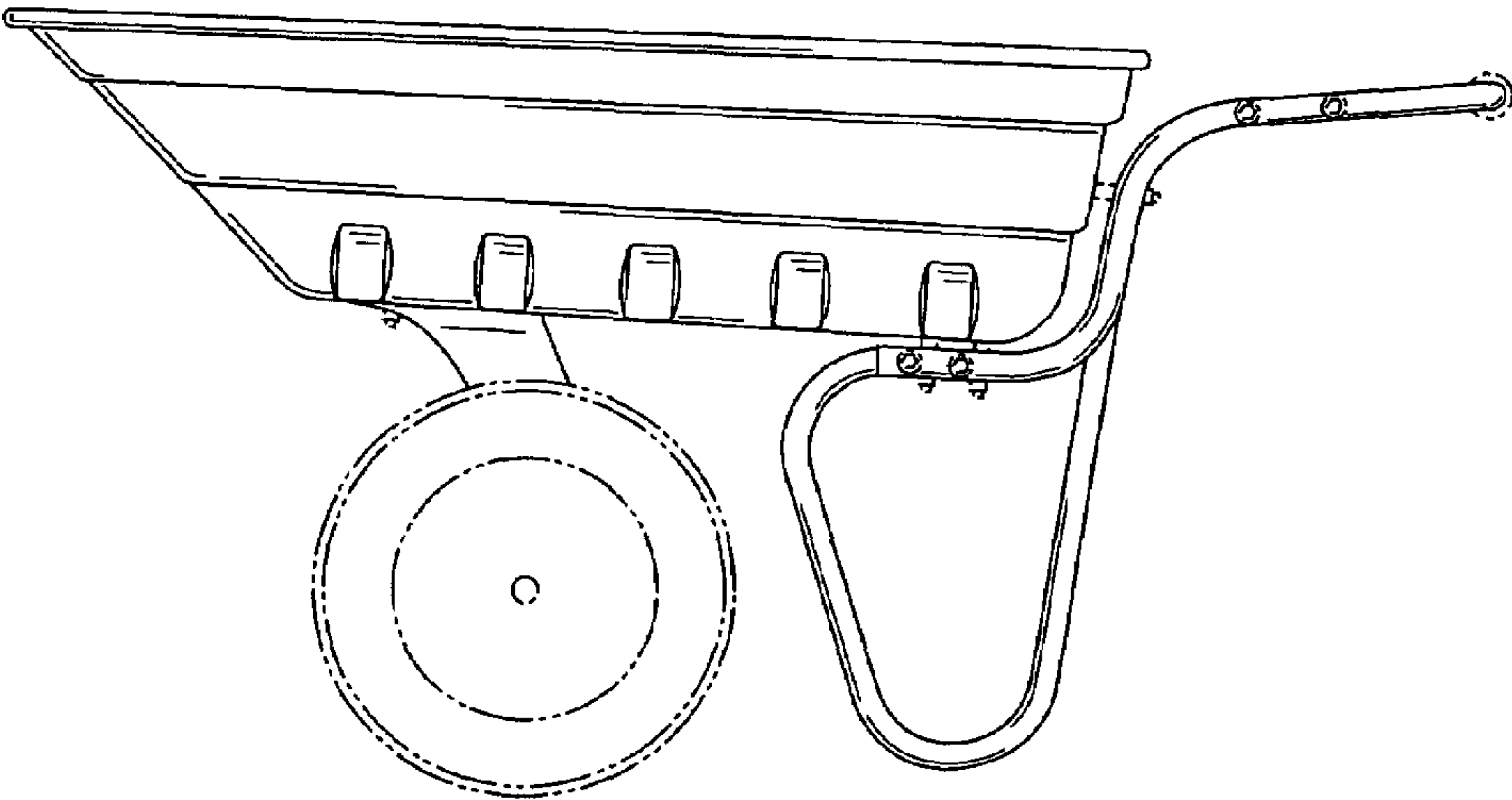


Fig. 4

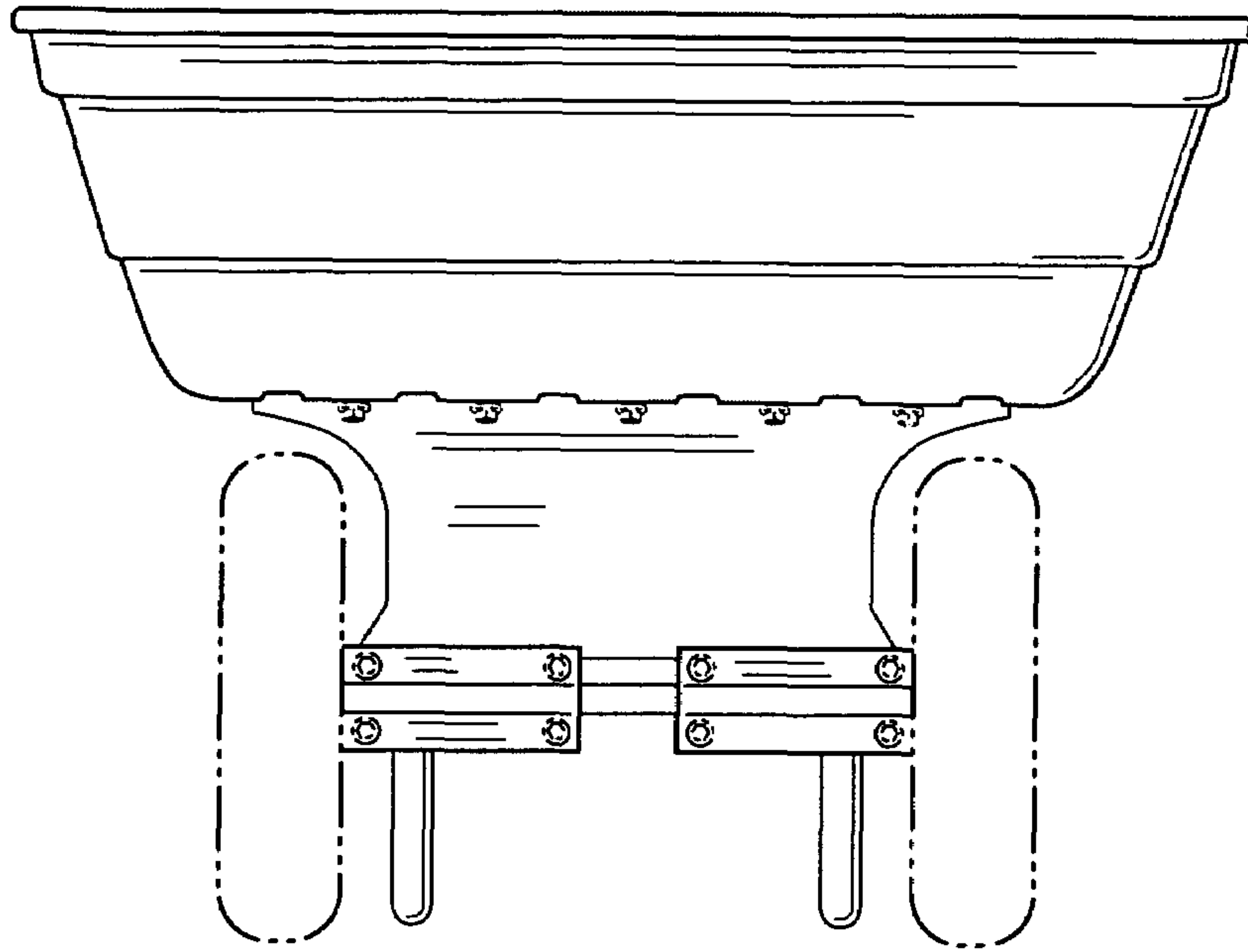


Fig. 5

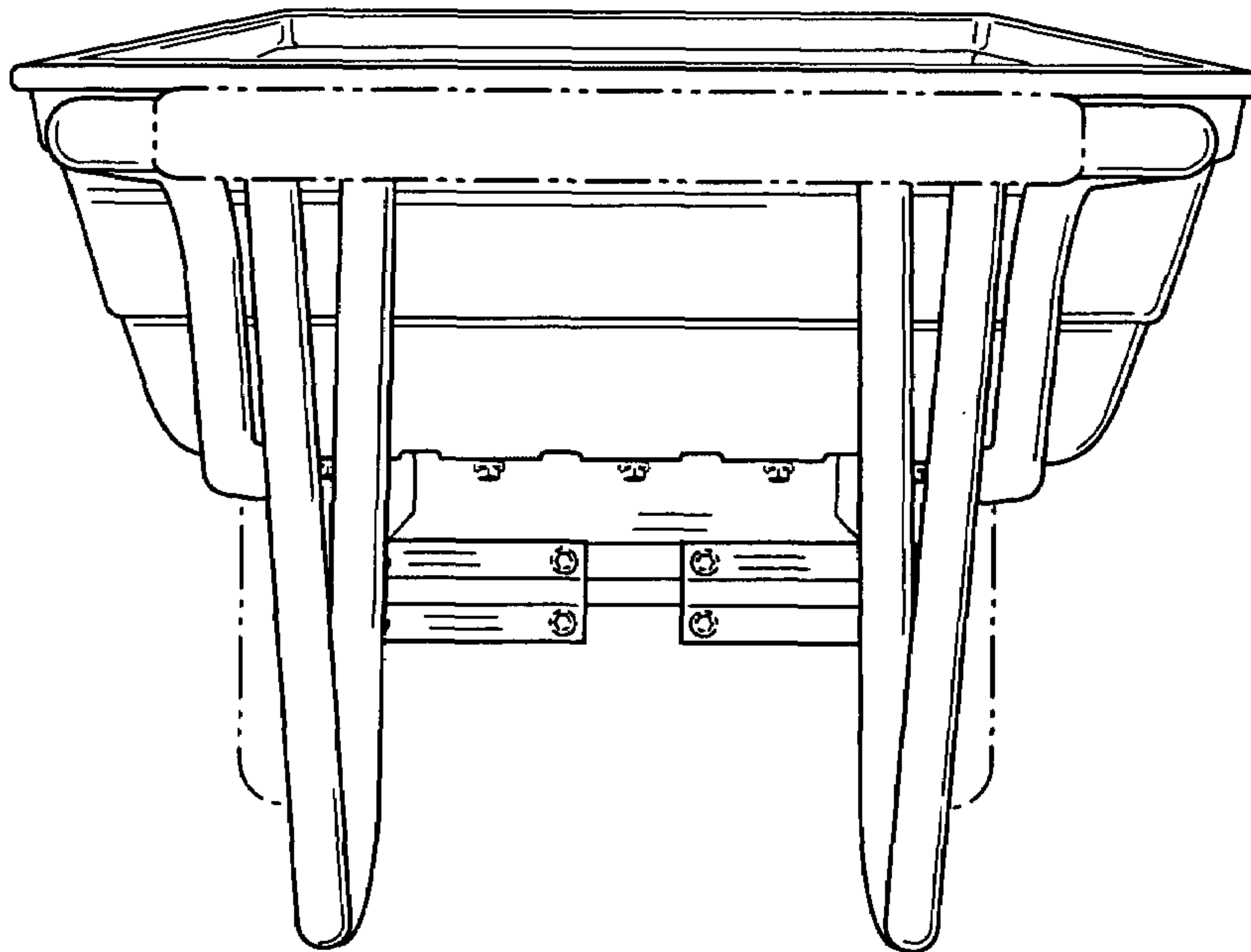


Fig. 6

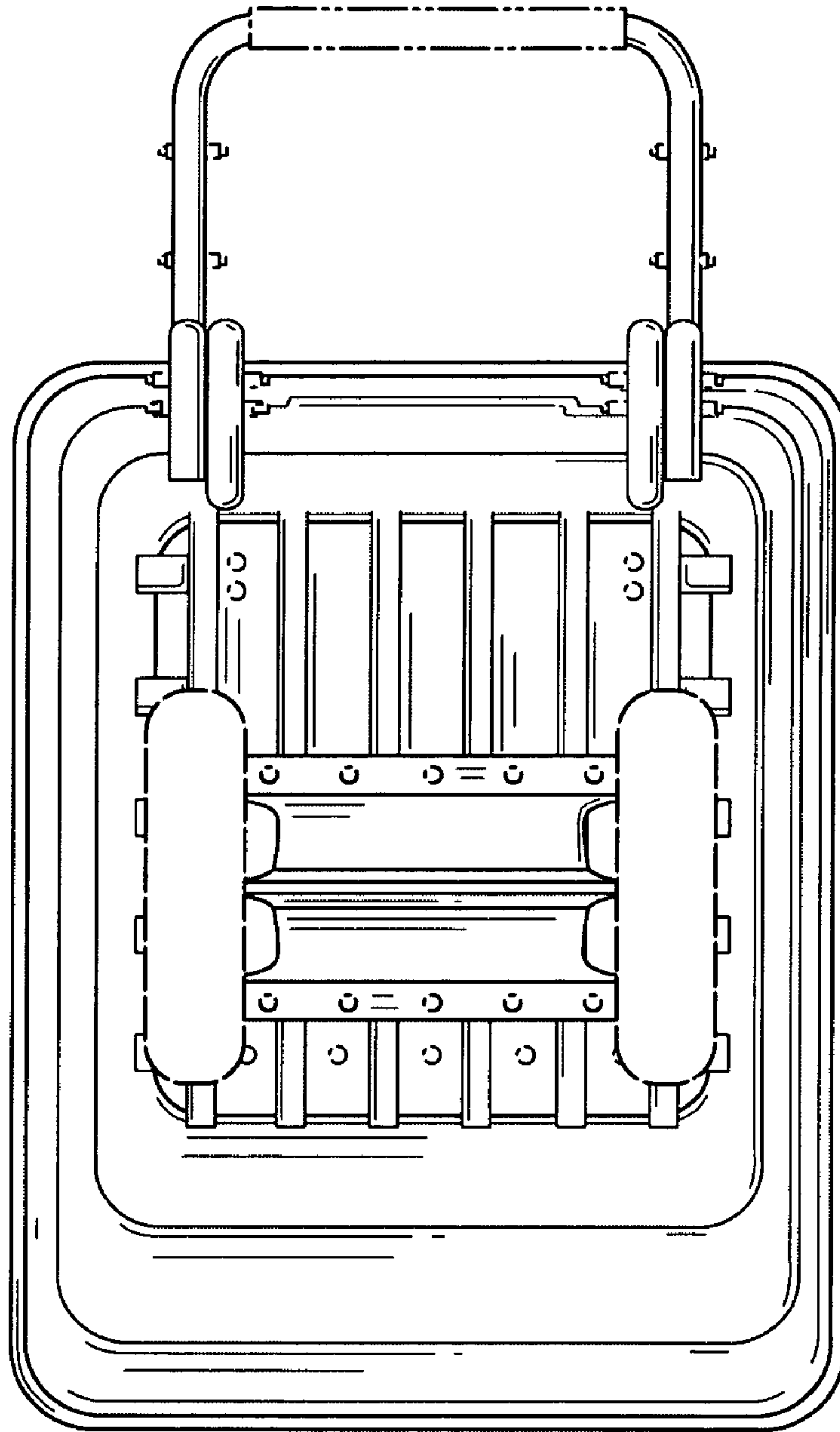


Fig. 7