



US00D574120S

(12) **United States Design Patent**  
**Koleba et al.**

(10) **Patent No.:** **US D574,120 S**  
(45) **Date of Patent:** **\*\* Jul. 29, 2008**

(54) **COVER FOR A CONTAINER**

(75) Inventors: **Derek Koleba**, Maspeth, NY (US);  
**Frederick Caputo**, Howard Beach, NY (US)

(73) Assignee: **Mr. T. Carting Corp.**, Glendale, NY (US)

(\*\*) Term: **14 Years**

(21) Appl. No.: **29/286,701**

(22) Filed: **May 17, 2007**  
(Under 37 CFR 1.47)

(51) **LOC (8) Cl.** ..... **09-09**

(52) **U.S. Cl.** ..... **D34/10**

(58) **Field of Classification Search** ..... D34/1-11;  
220/908-913, 200; D21/552, 433, 434; 100/100;  
D12/82, 97; D7/604, 606, 625; D9/441,  
D9/451, 435

See application file for complete search history.

(56) **References Cited**

U.S. PATENT DOCUMENTS

D326,490 S *	5/1992	Aker	.....	D21/552
D394,191 S *	5/1998	Arnfelt	.....	D7/606
D500,444 S *	1/2005	Drake et al.	.....	D9/503
D515,875 S *	2/2006	Thiele	.....	D7/606

D540,167 S *	4/2007	Smith et al.	.....	D9/454
D547,652 S *	7/2007	Kerman et al.	.....	D9/438
D563,220 S *	3/2008	Krivoshein et al.	.....	D9/454

\* cited by examiner

*Primary Examiner*—Cynthia E Ramirez

(74) *Attorney, Agent, or Firm*—Gottlieb, Rackman & Reisman, P.C.

(57) **CLAIM**

The ornamental design for a cover for a container, as shown and described.

**DESCRIPTION**

FIG. 1 is a front perspective view of a cover for a container showing our new design;

FIG. 2 is a front elevational view thereof;

FIG. 3 is a top plan view thereof;

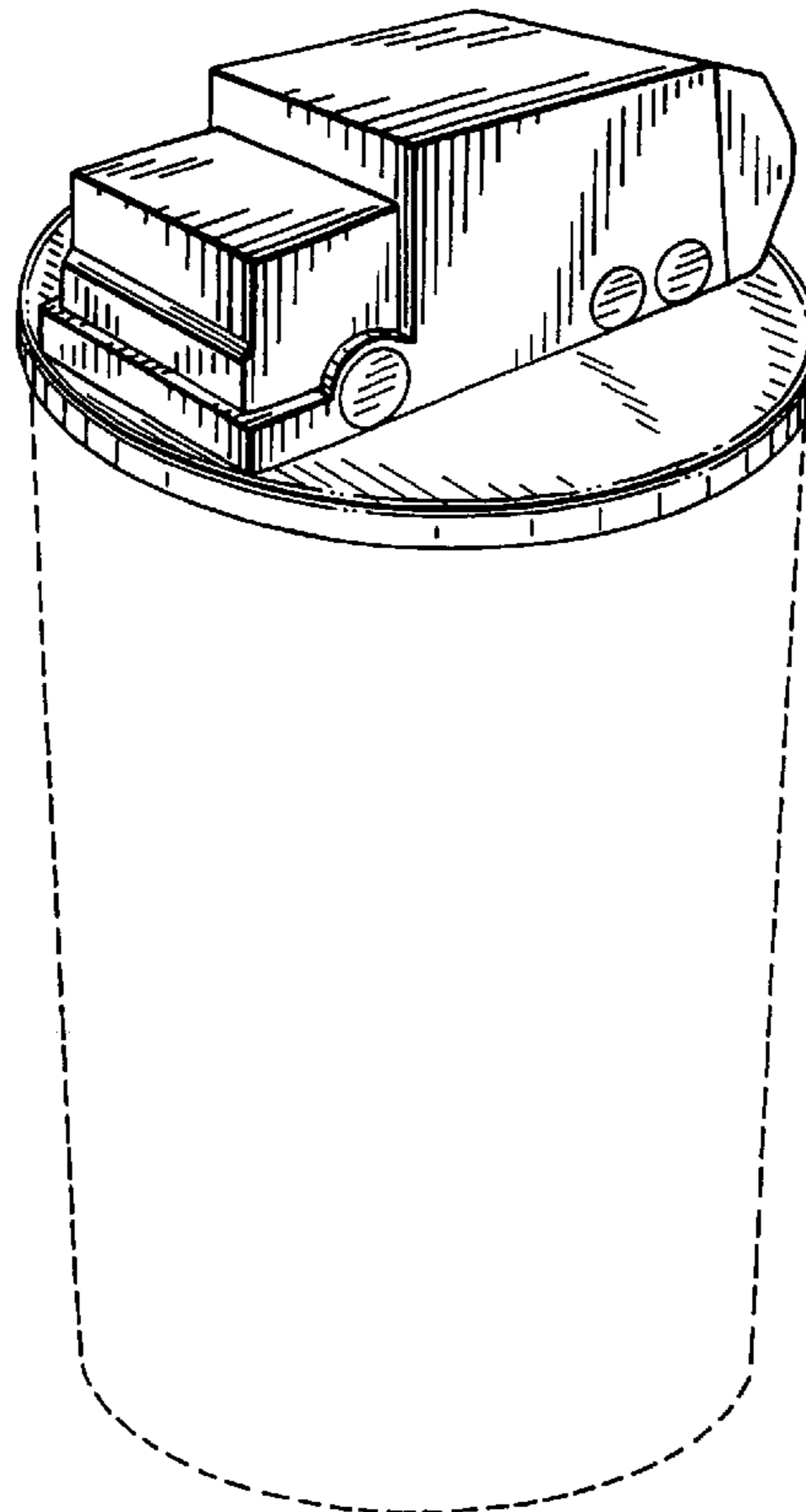
FIG. 4 is a right side elevational view thereof, the left side elevational view being a mirror image thereof;

FIG. 5 is a rear elevational view thereof; and,

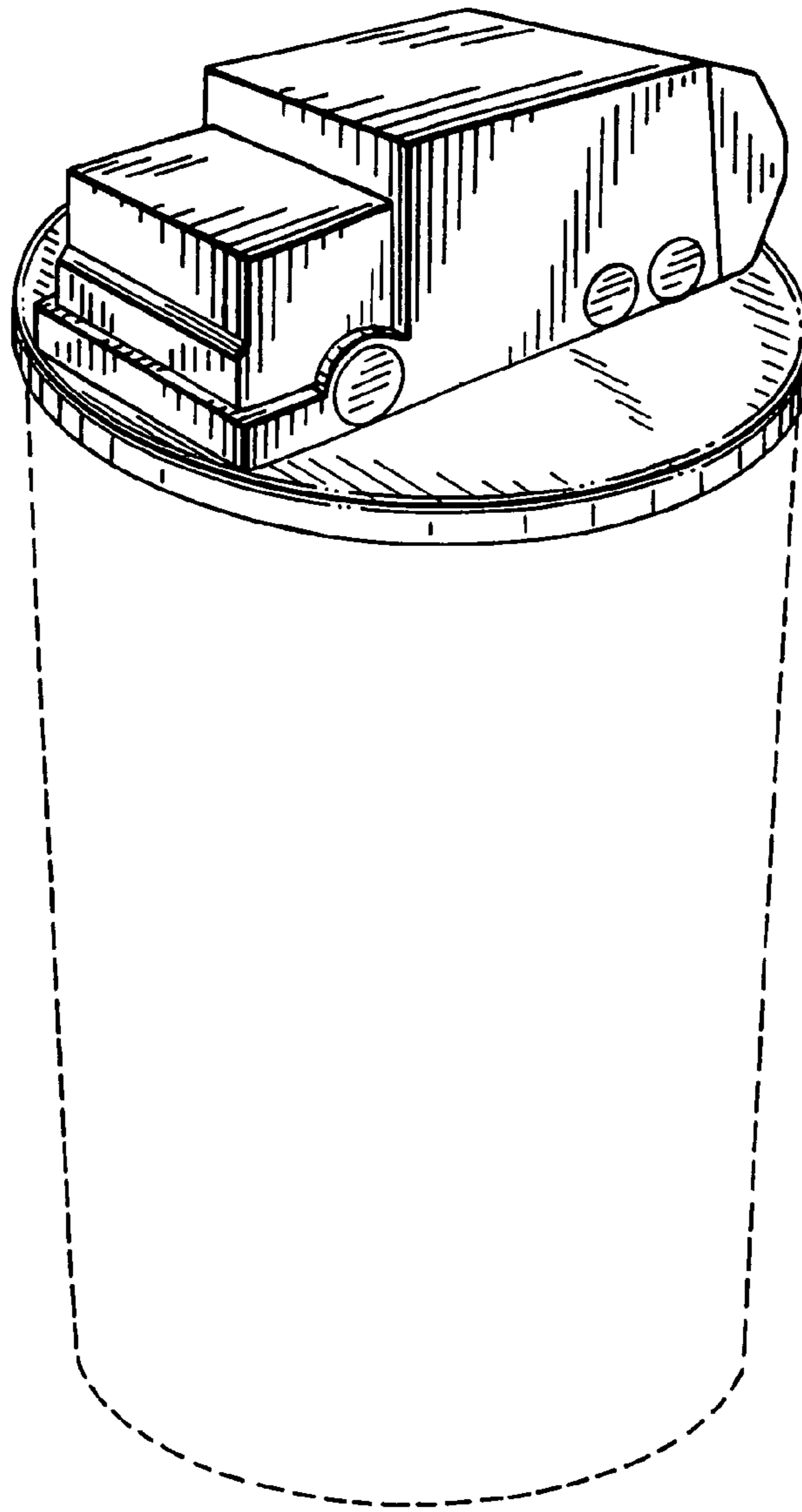
FIG. 6 is a bottom plan view thereof.

The broken line showing of the body of a container in FIG. 1 is included for the purpose of illustrating environment and forms no part of the claimed design.

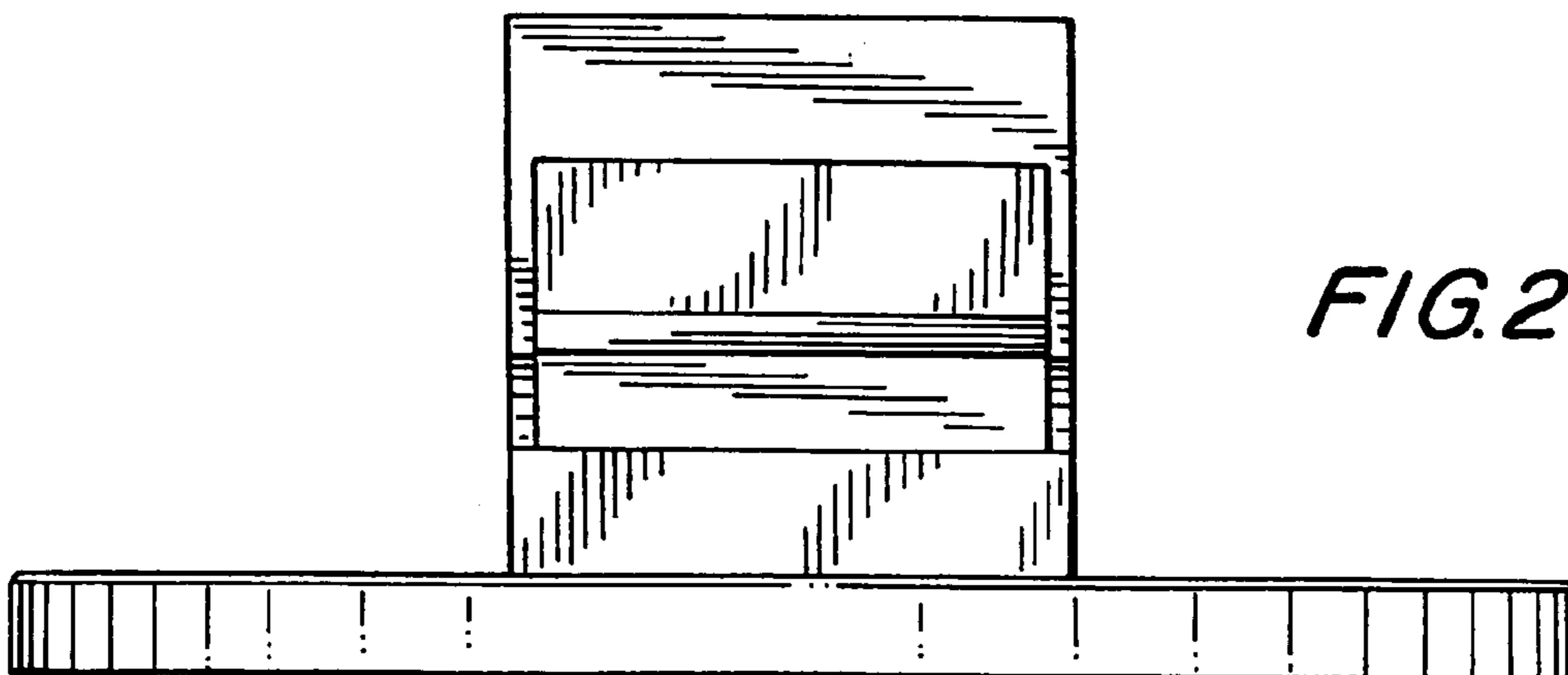
**1 Claim, 3 Drawing Sheets**

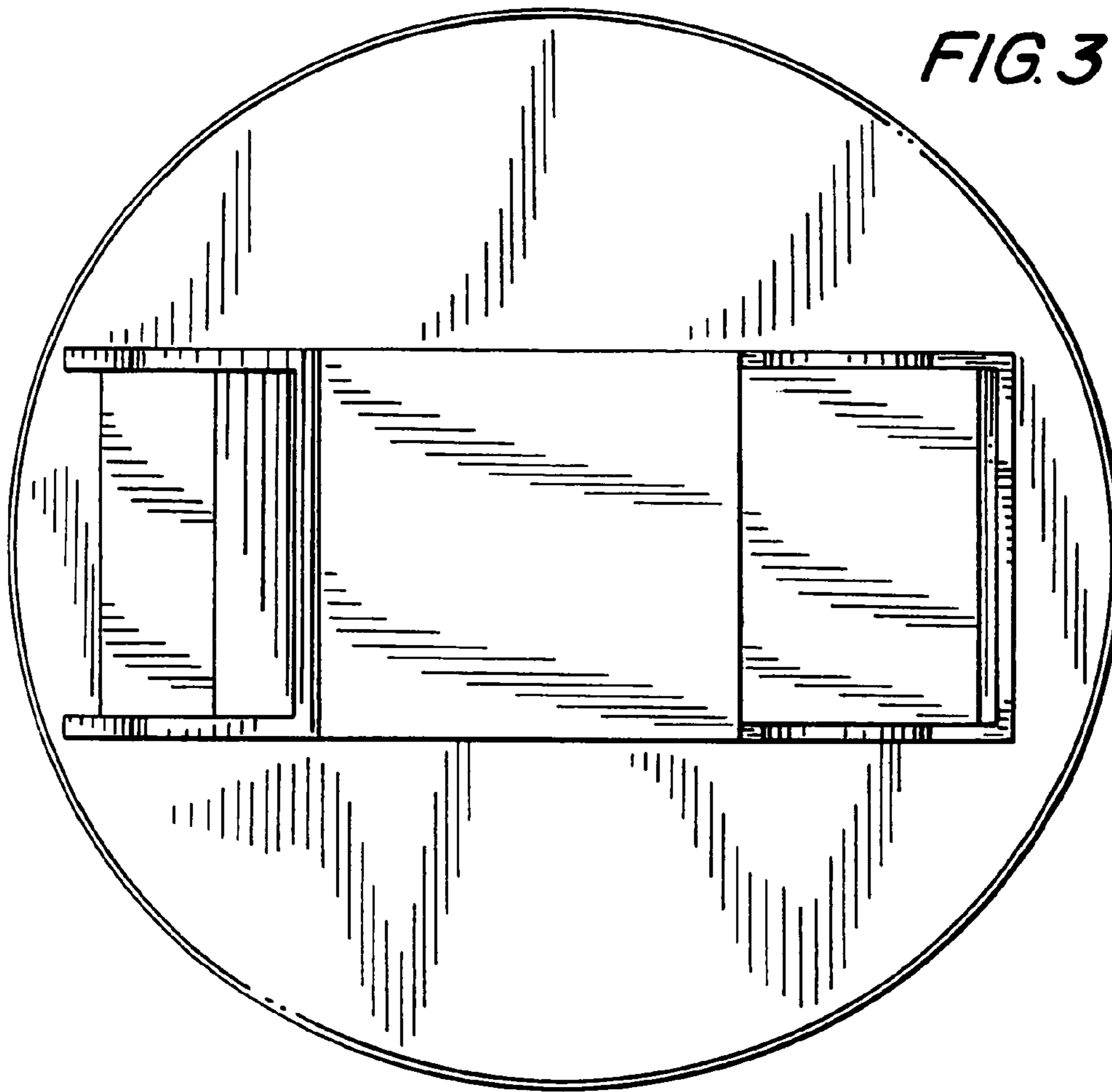


*FIG. 1*

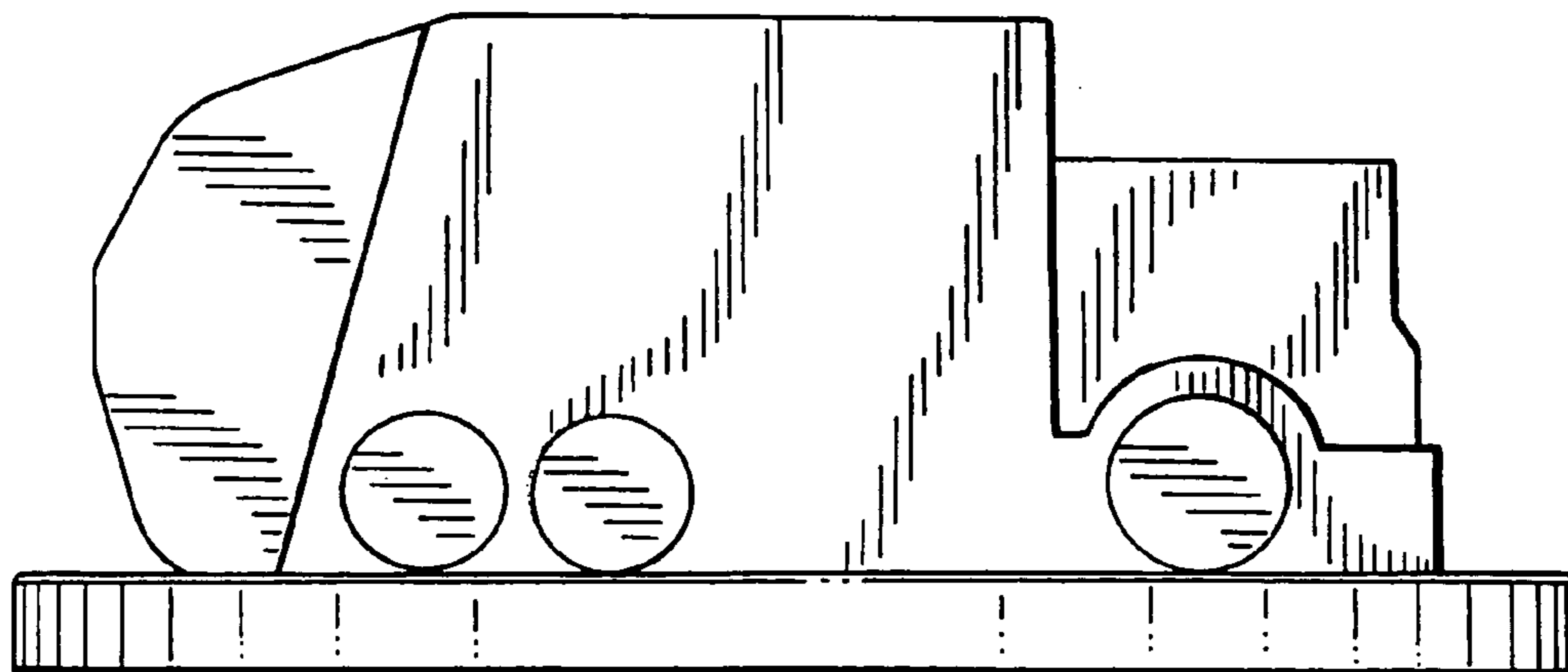


*FIG. 2*



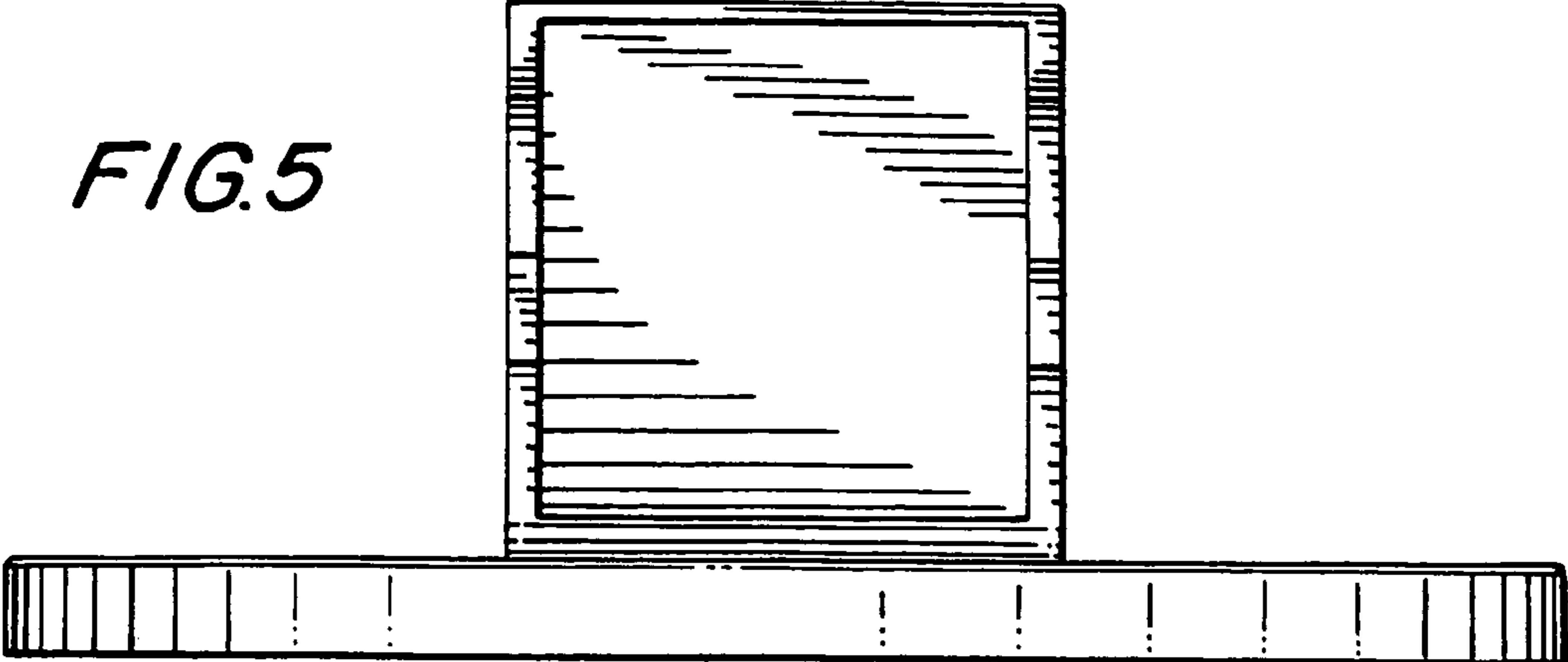


*FIG. 3*



*FIG. 4*

*FIG. 5*



*FIG. 6*

