



US00D574117S

(12) **United States Design Patent**
McGregory

(10) **Patent No.:** **US D574,117 S**
(45) **Date of Patent:** **** Jul. 29, 2008**

(54) **FEATHER DUSTER**

(76) **Inventor:** **Myya McGregor**, 52 Bay Ave.,
Middletown, NJ (US) 07748

(**) **Term:** **14 Years**

(21) **Appl. No.:** **29/243,890**

(22) **Filed:** **Nov. 30, 2005**

(51) **LOC (8) Cl.** **04-01**

(52) **U.S. Cl.** **D32/52; D11/146**

(58) **Field of Classification Search** D32/35,
D32/40, 45, 50-2; 15/143.1, 211, 234-5,
15/106, 146-7.2, 164, 244.1, 244.3, 244.2,
15/229.13, 210.1; D4/128, 138; D25/122,
D25/126, 128; D6/403, 499; D8/80, 94,
D8/97; D11/146; 47/41.1, 41.01, 41.15;
16/110; D9/428, 500; 299/4.5; 248/127,
248/370, 163, 176.1

See application file for complete search history.

(56) **References Cited**

U.S. PATENT DOCUMENTS

129,444	A *	7/1872	Wilder	47/41.01
145,042	A *	12/1873	Bartlett	15/147.2
1,058,935	A *	4/1913	Baird	229/4.5
1,481,303	A *	1/1924	Reimer	15/229.13
D107,743	S *	1/1938	Buchheim	D6/499
2,308,473	A *	1/1943	Schaefer et al.	138/141
2,310,818	A *	2/1943	Tompkins	229/4.5
2,492,039	A *	12/1949	Gilowitz	239/44
2,685,397	A *	8/1954	Ellswood	229/4.5
3,095,593	A *	7/1963	Krasne	15/234
3,288,341	A *	11/1966	Krause	229/4.5
3,498,798	A *	3/1970	Baur et al.	229/4.5

4,048,608	A *	9/1977	Riendeau et al.	337/74
4,111,052	A *	9/1978	Sniderman	73/862.541
D251,995	S *	5/1979	Bell	D18/35
4,163,517	A *	8/1979	Kappler et al.	229/4.5
4,228,873	A *	10/1980	Nyborg, Jr.	187/314
4,497,407	A *	2/1985	Stager	229/4.5
4,685,173	A *	8/1987	Pavur	D8/356
D296,665	S *	7/1988	Hofer	D11/146
4,795,197	A *	1/1989	Kaminski et al.	285/12
5,209,694	A *	5/1993	Utt, Jr.	248/176.1
5,284,241	A *	2/1994	Winton et al.	229/4.5
5,366,191	A *	11/1994	Bekanich	248/125.1
D466,809	S *	12/2002	Sagel	D9/428
D477,547	S *	7/2003	Davenport	D11/146

* cited by examiner

Primary Examiner—Cathron Brooks
Assistant Examiner—Karen E Kearney

(57) **CLAIM**

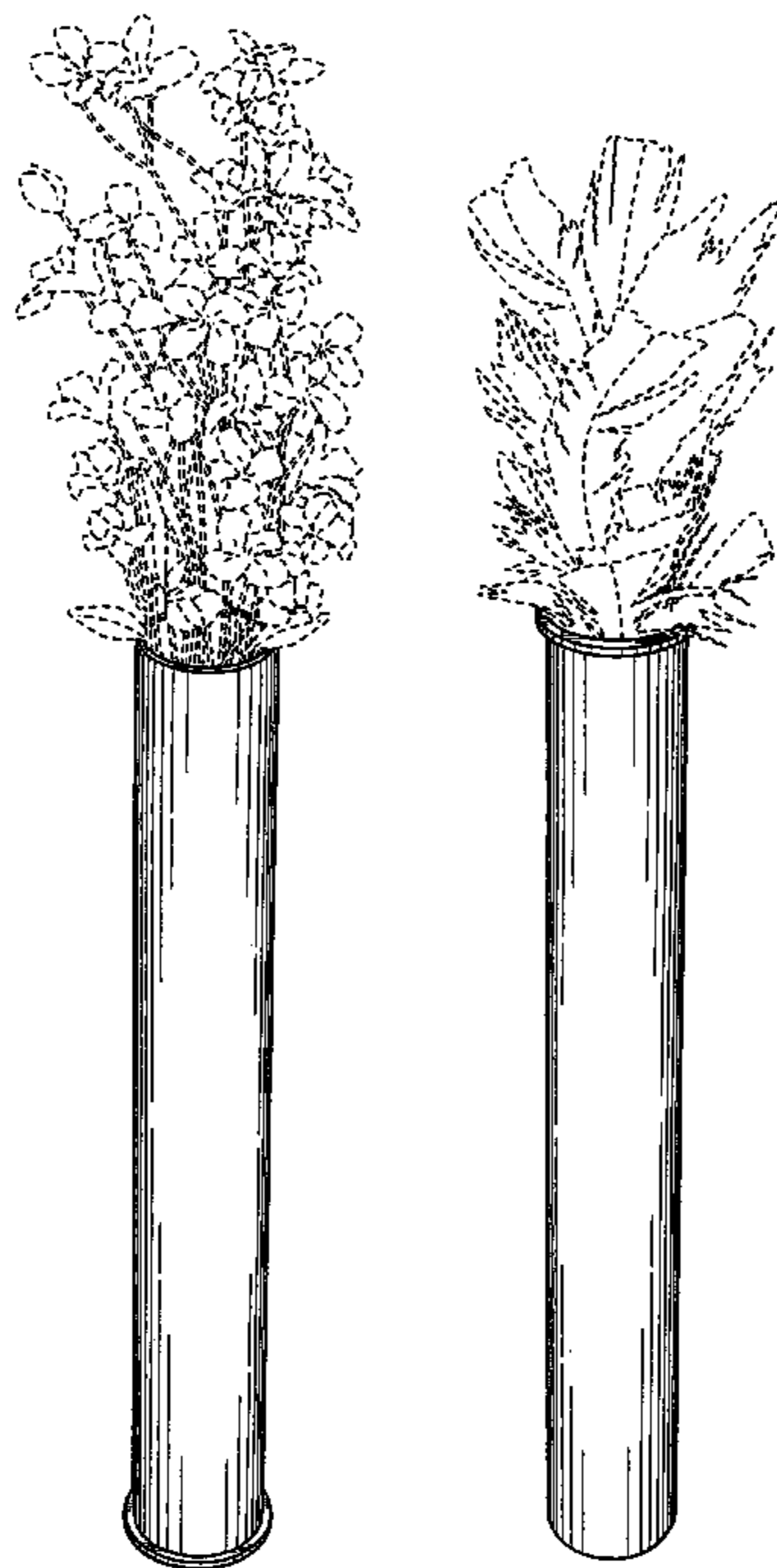
What is claimed is the ornamental design for a feather duster, as shown and described.

DESCRIPTION

FIG. 1 is a front perspective view of the present invention.
FIG. 2 is a front elevational view of the present invention.
FIG. 3 is an inverted rear perspective view of the present invention; and,
FIG. 4 is an inverted rear elevational view of the present invention.

The broken lines shown are included for the purpose of illustrating environmental structure and form no part of the claimed design.

1 Claim, 4 Drawing Sheets



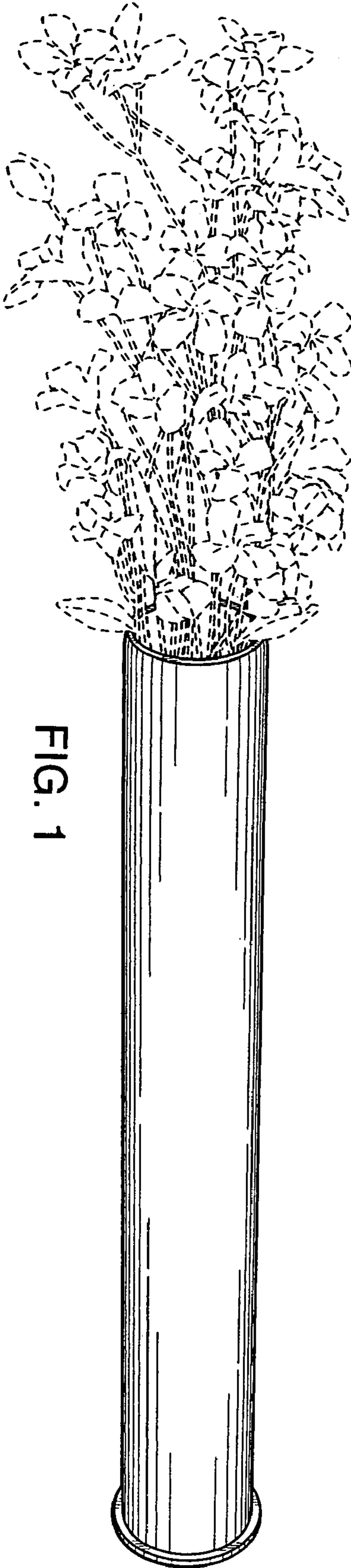


FIG. 1

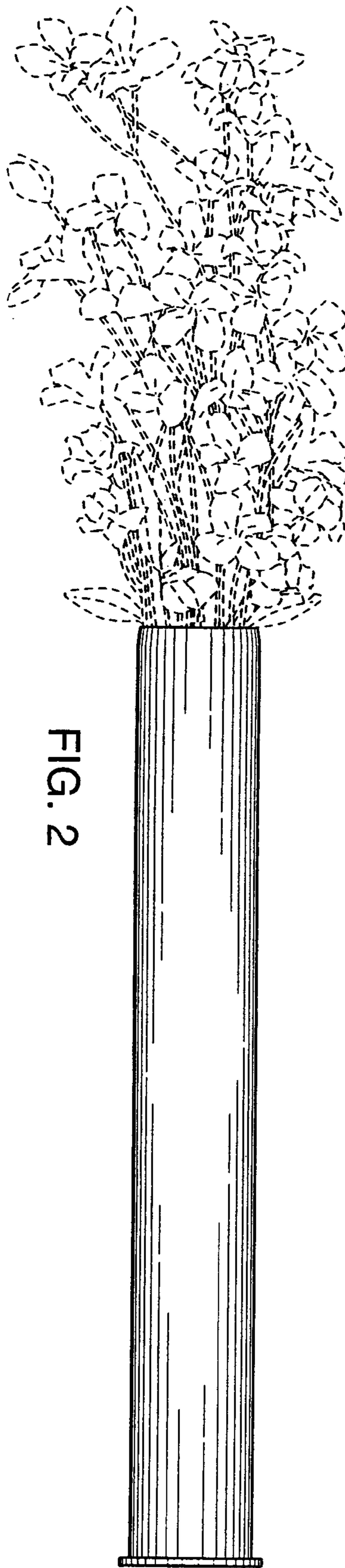


FIG. 2

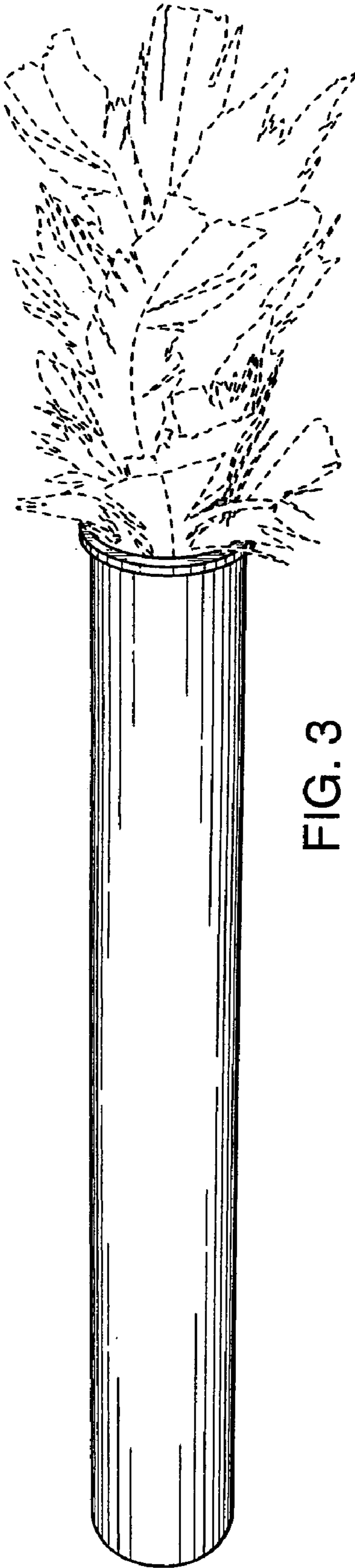


FIG. 3

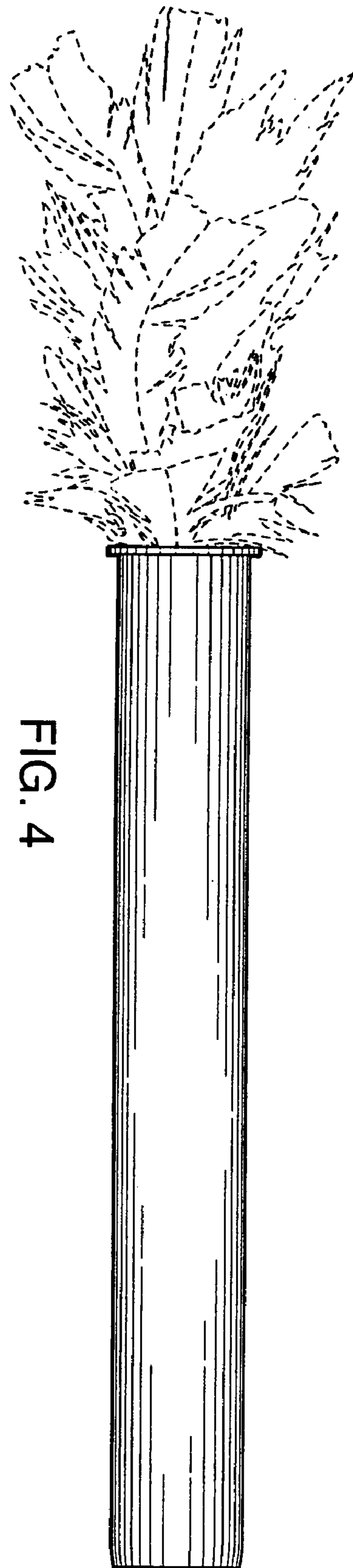


FIG. 4