



US00D574116S

(12) **United States Design Patent**  
**Yang et al.**

(10) **Patent No.:** **US D574,116 S**  
(45) **Date of Patent:** **\*\* Jul. 29, 2008**

(54) **TOILET PLUNGER AND HOLDER**

2005/0173277 A1\* 8/2005 Rich ..... 206/349

(75) Inventors: **Frank Yang**, Rancho Palos Verdes, CA (US); **Tzu-Hao Wei**, Hacienda Heights, CA (US); **Myk Wayne Lum**, Irvine, CA (US); **Yoon J. Kim**, Long Beach, CA (US)

\* cited by examiner

*Primary Examiner*—Louis S Zarfes  
*Assistant Examiner*—Kathleen M Sims  
(74) *Attorney, Agent, or Firm*—Liu & Liu

(73) Assignee: **Simplehuman LLC**, Torrance, CA (US)

(57) **CLAIM**

(\*\*) Term: **14 Years**

The ornamental design for a toilet plunger and holder, as shown and described.

(21) Appl. No.: **29/273,677**

**DESCRIPTION**

(22) Filed: **Mar. 9, 2007**

FIG. 1 is a perspective view of a first embodiment of a toilet plunger and holder showing our new design;

(51) **LOC (8) Cl.** ..... **15-05**

FIG. 2 is a front view thereof;

(52) **U.S. Cl.** ..... **D32/14**

FIG. 3 is a rear view thereof;

(58) **Field of Classification Search** ..... D32/14,  
D32/25; D6/524, 551; 4/255.01, 255.05,  
4/255.11; 134/167 C, 168 C; 206/15.3, 207,  
206/349, 361

FIG. 4 is right side view thereof; the side opposite being a mirror image thereof;

See application file for complete search history.

FIG. 5 is a top plan view thereof; and

FIG. 6 is a bottom plan view thereof.

(56) **References Cited**

FIG. 7 is a perspective view of a second embodiment showing contrasting materials with the use of stippling;

**U.S. PATENT DOCUMENTS**

FIG. 8 is a front view thereof;

D404,951 S *	2/1999	Zawalsky	.....	D6/551
6,038,709 A *	3/2000	Kent	.....	4/255.05
D452,401 S *	12/2001	Schmidt et al.	.....	D6/524
D463,698 S *	10/2002	Phillips et al.	.....	D6/524
6,647,567 B1 *	11/2003	Baldwin et al.	.....	4/661
6,719,134 B2 *	4/2004	Phillips et al.	.....	206/349
D508,151 S *	8/2005	Hay	.....	D32/14
D511,597 S *	11/2005	Morrow	.....	D32/14
7,328,793 B2 *	2/2008	Leaphart et al.	.....	206/349

FIG. 9 is a rear view thereof;

FIG. 10 is a right side view thereof; the side opposite being a mirror image thereof;

FIG. 11 is a top plan view thereof; and,

FIG. 12 is a bottom plan view thereof.

**1 Claim, 12 Drawing Sheets**

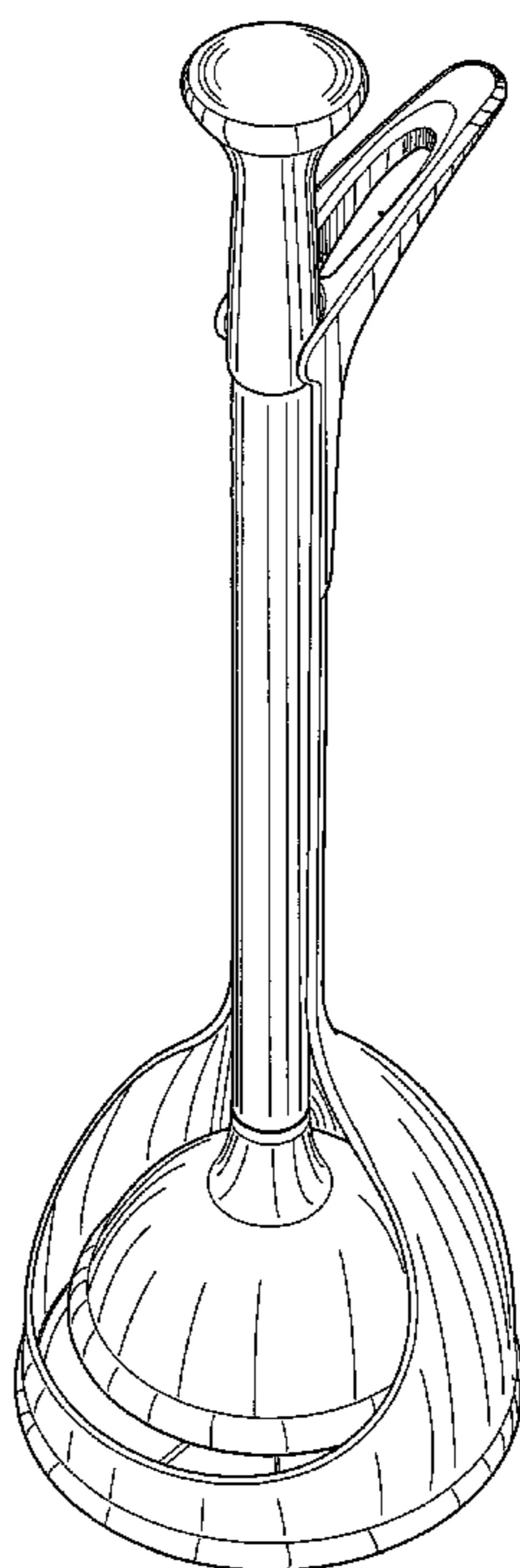


FIG. 1

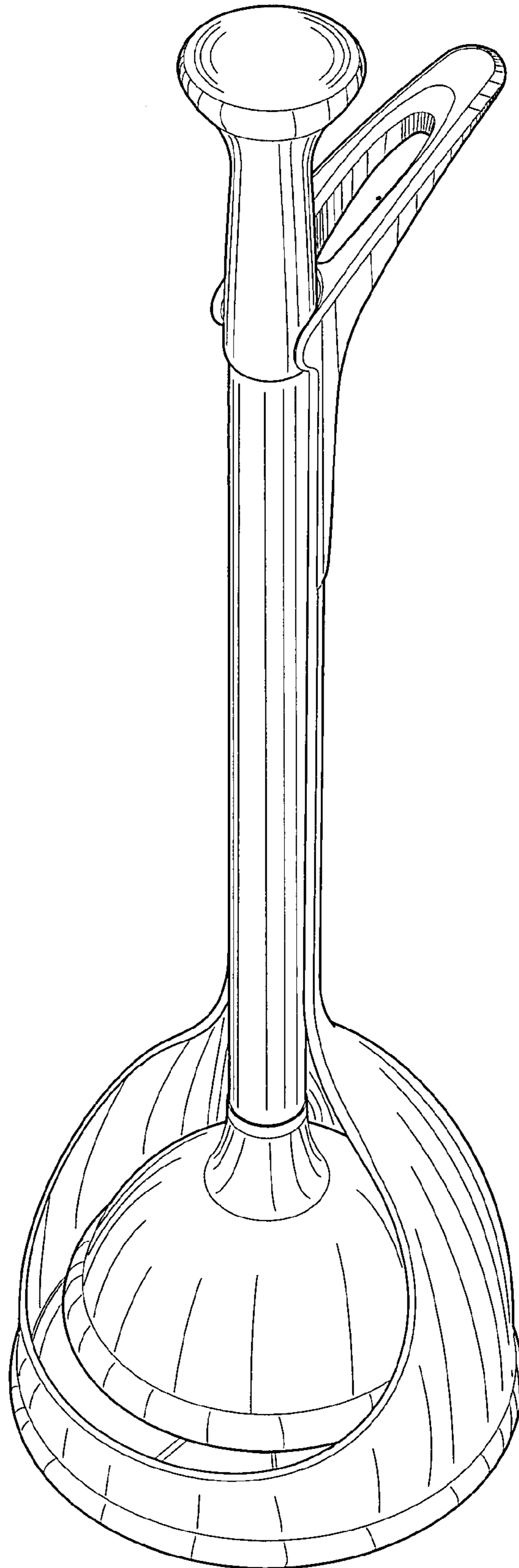


FIG. 2

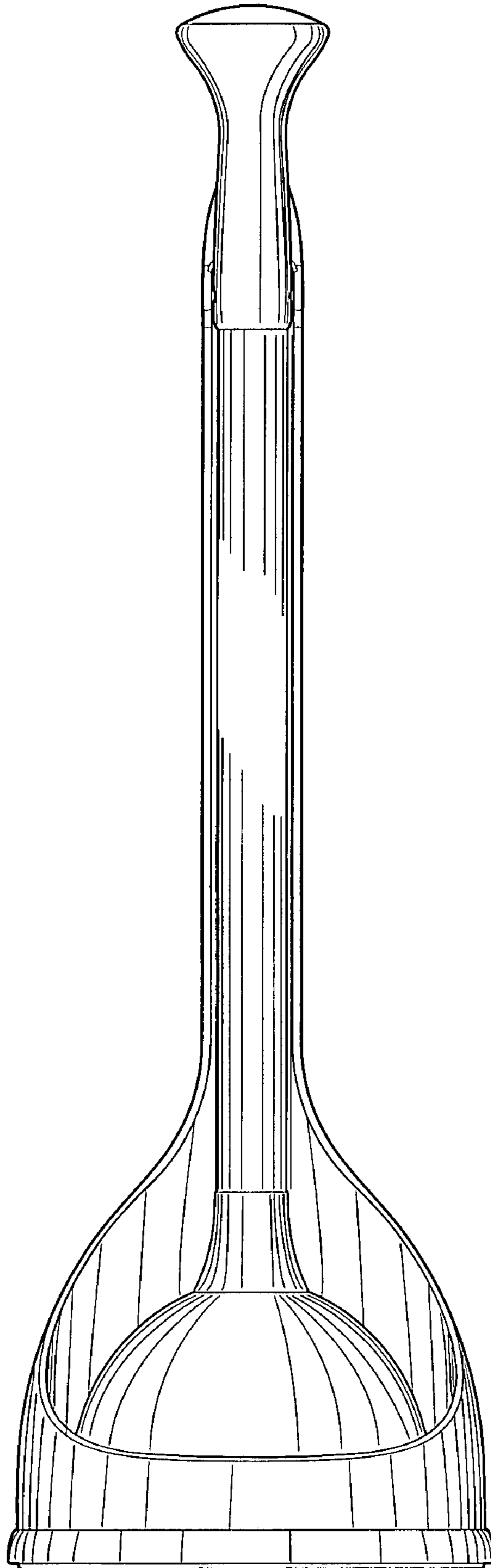


FIG. 3

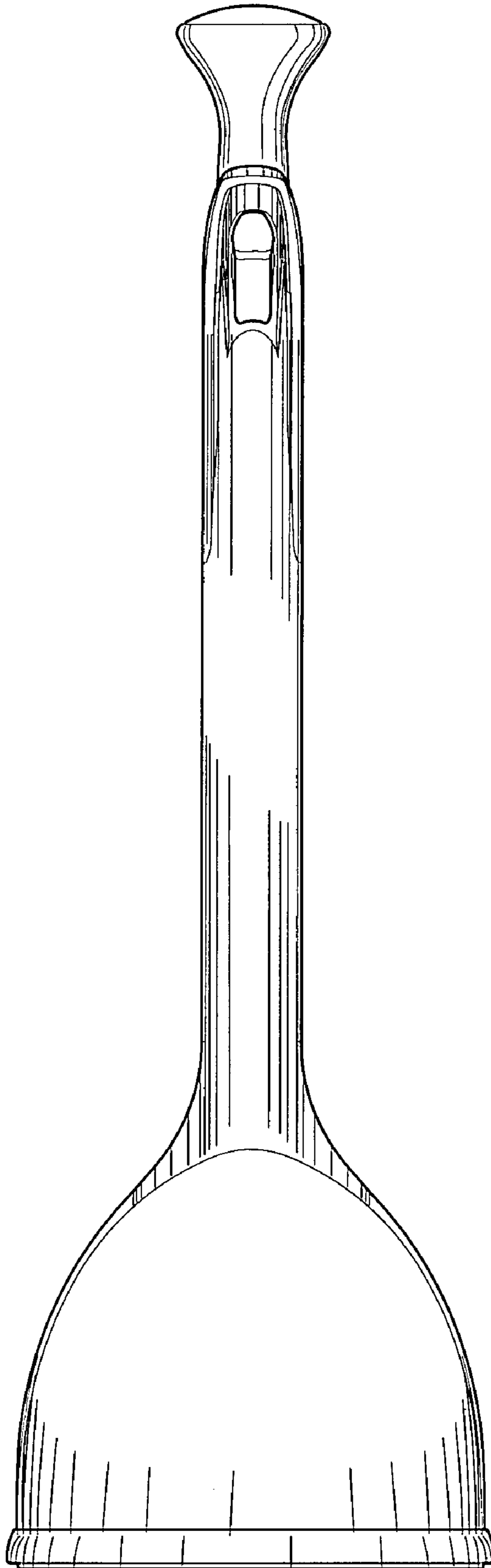


FIG. 4

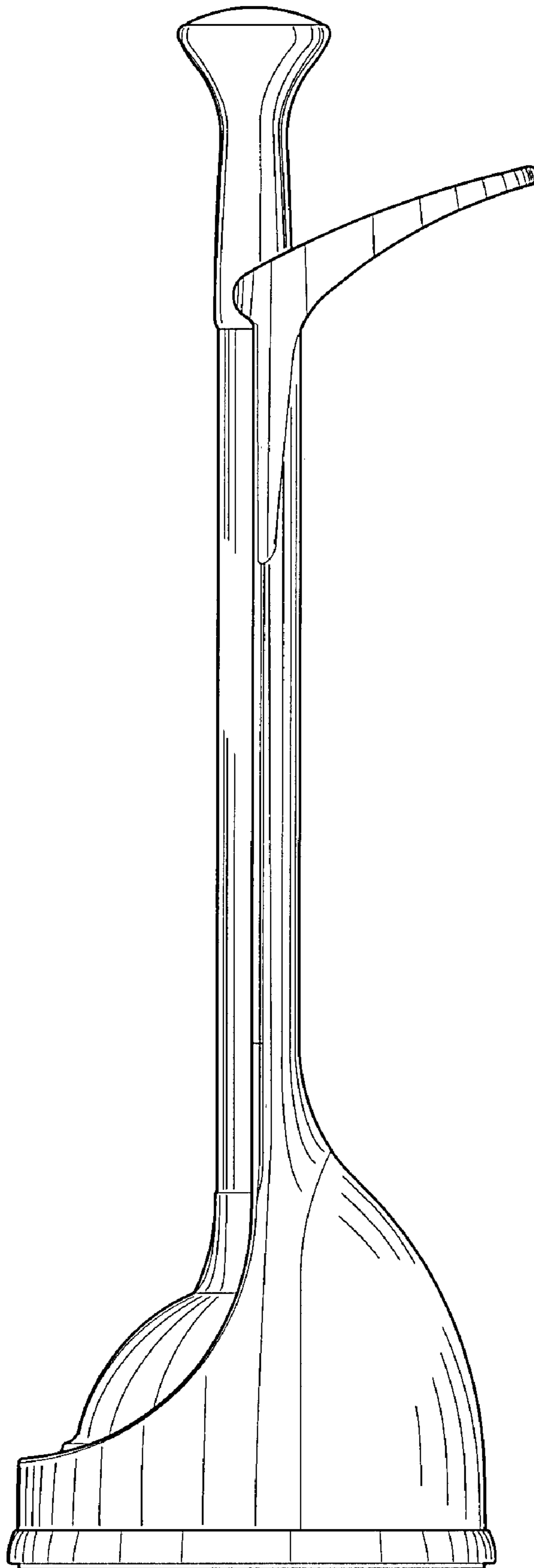
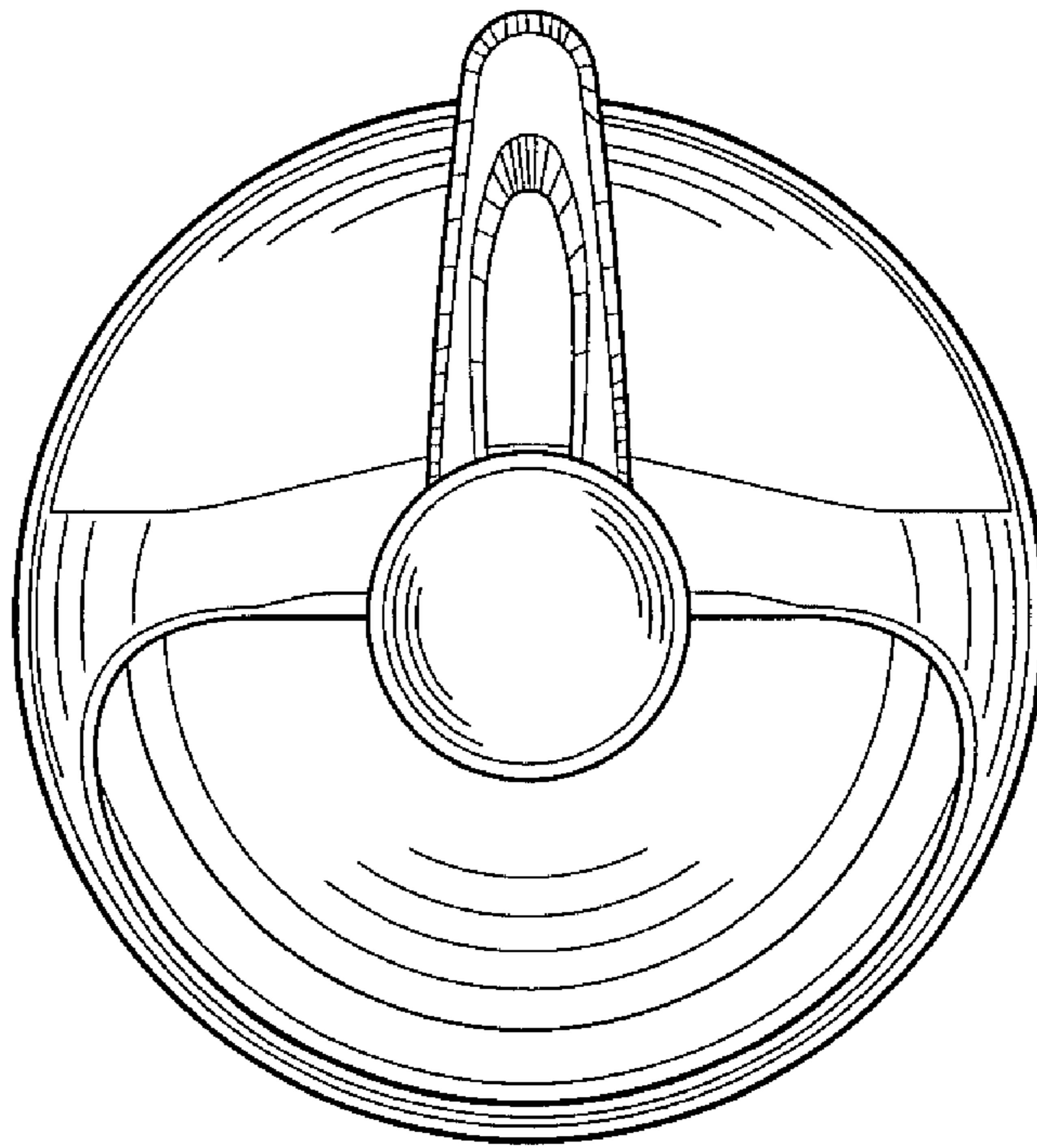


FIG. 5



**FIG. 6**

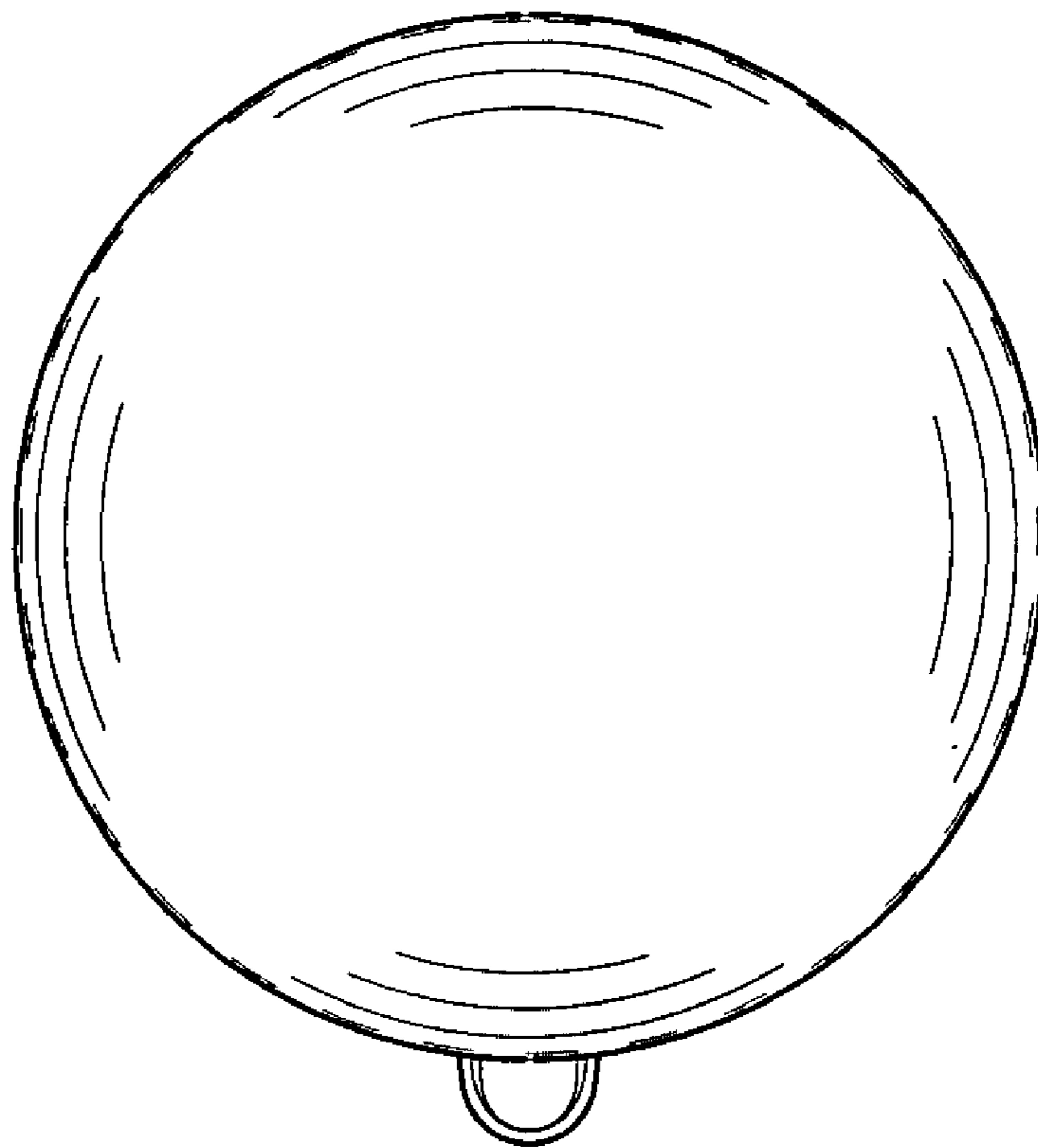


FIG. 7

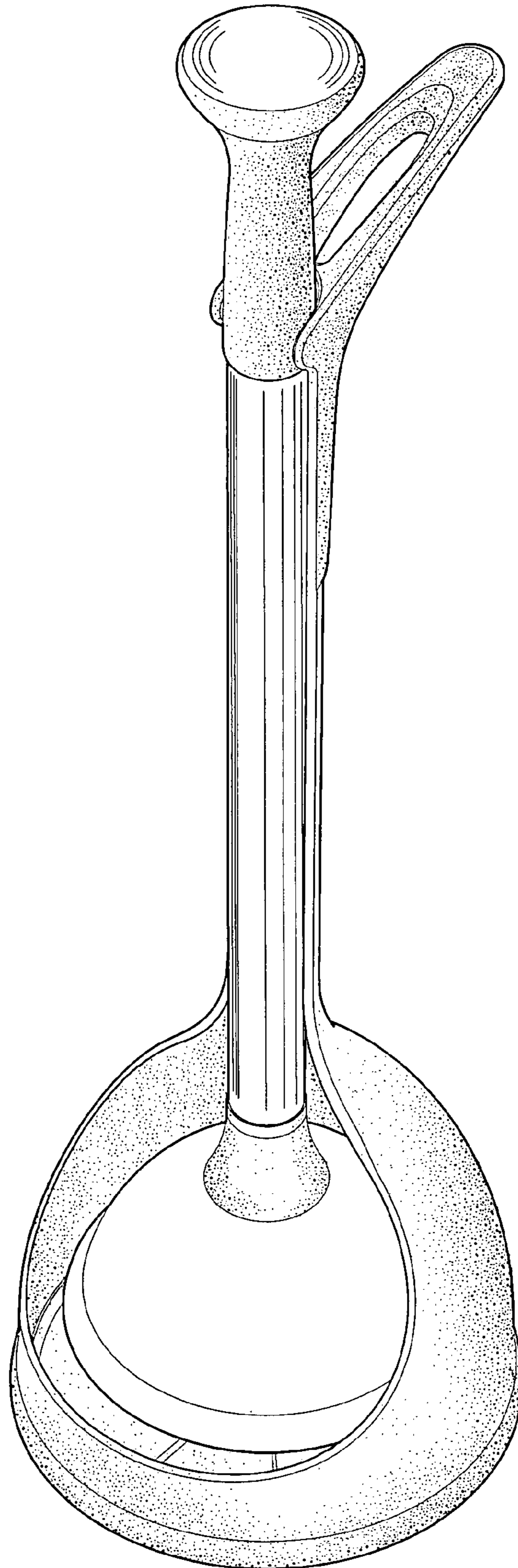




FIG. 8

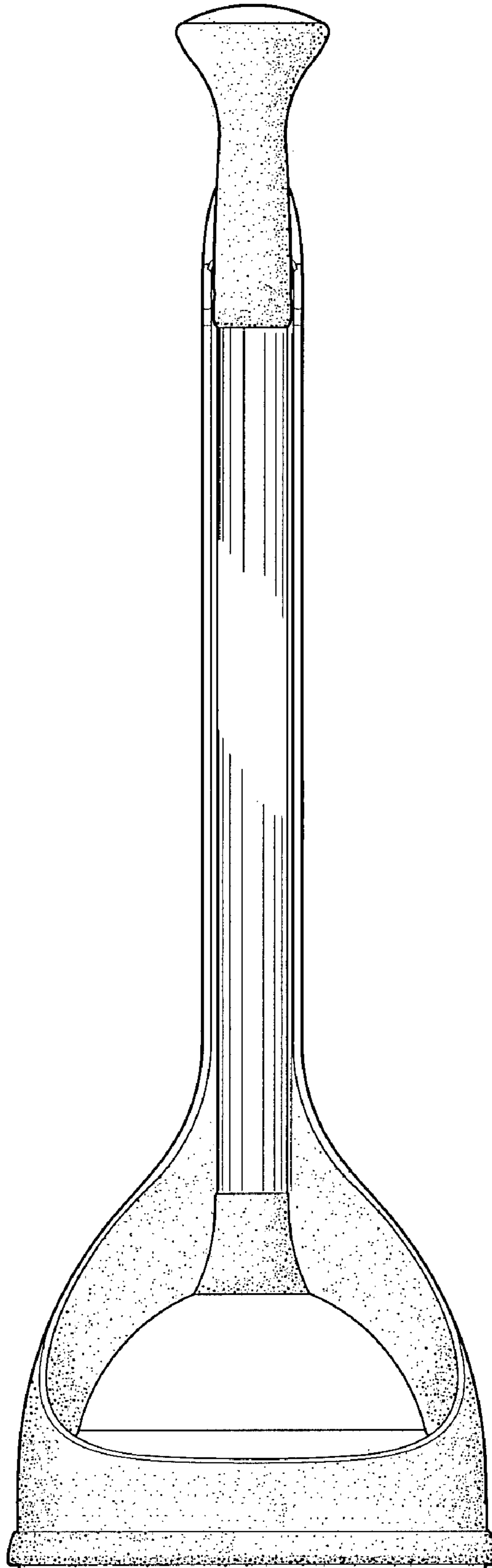


FIG. 9

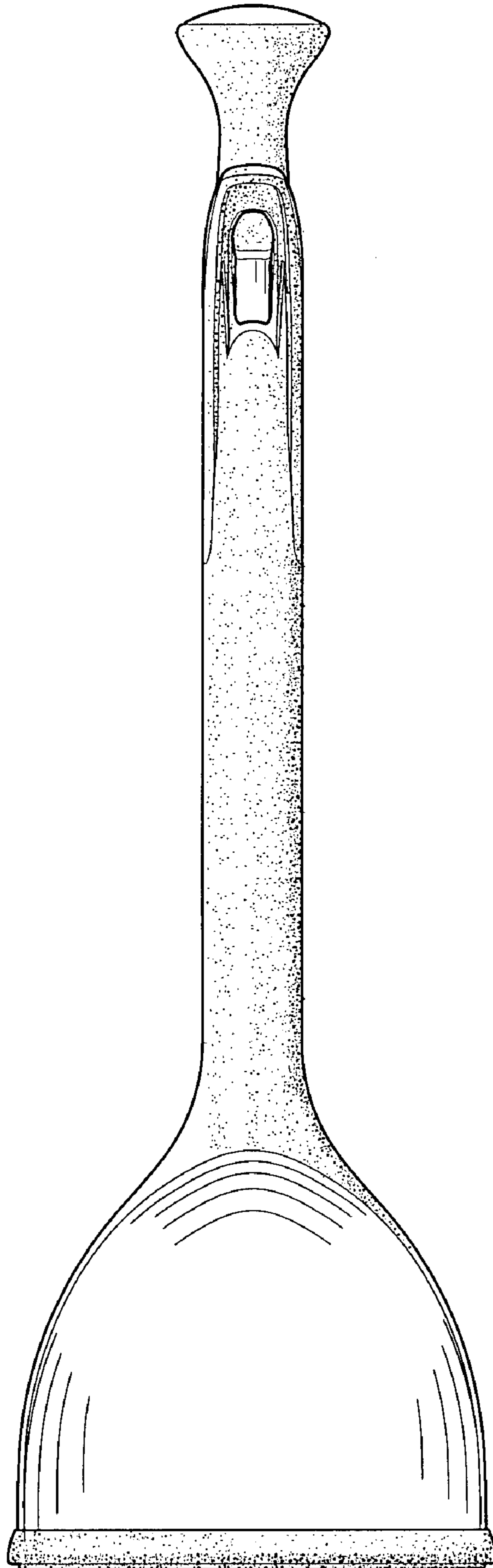
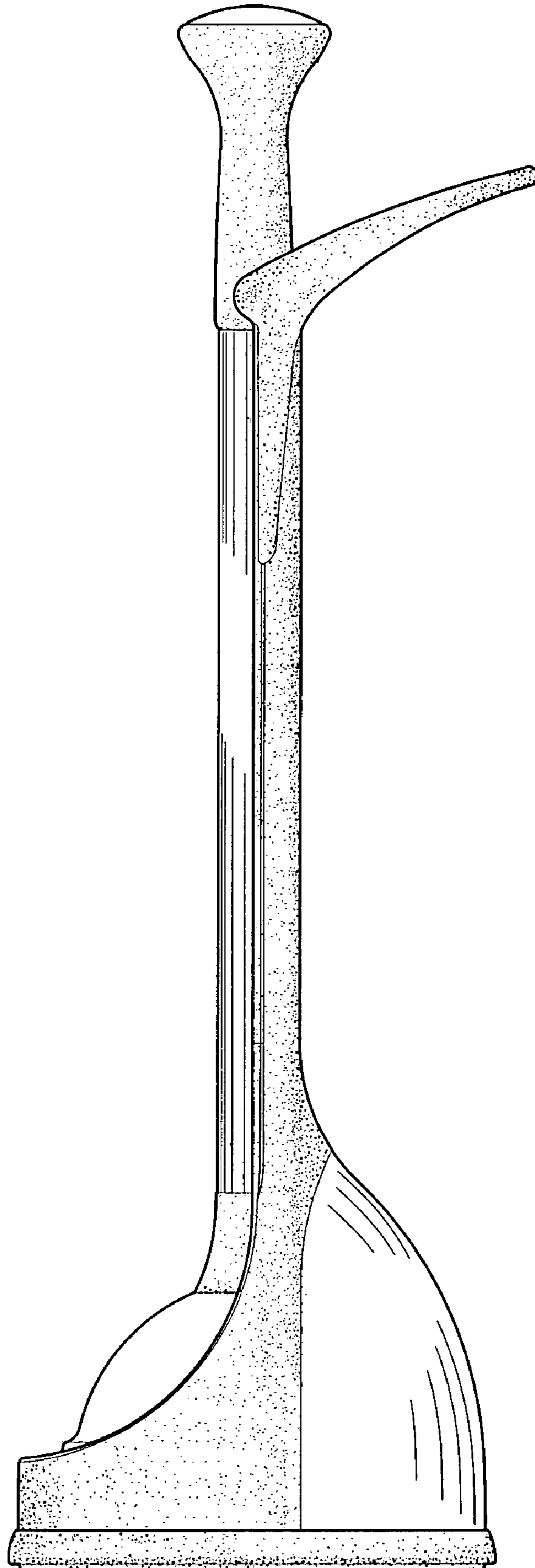
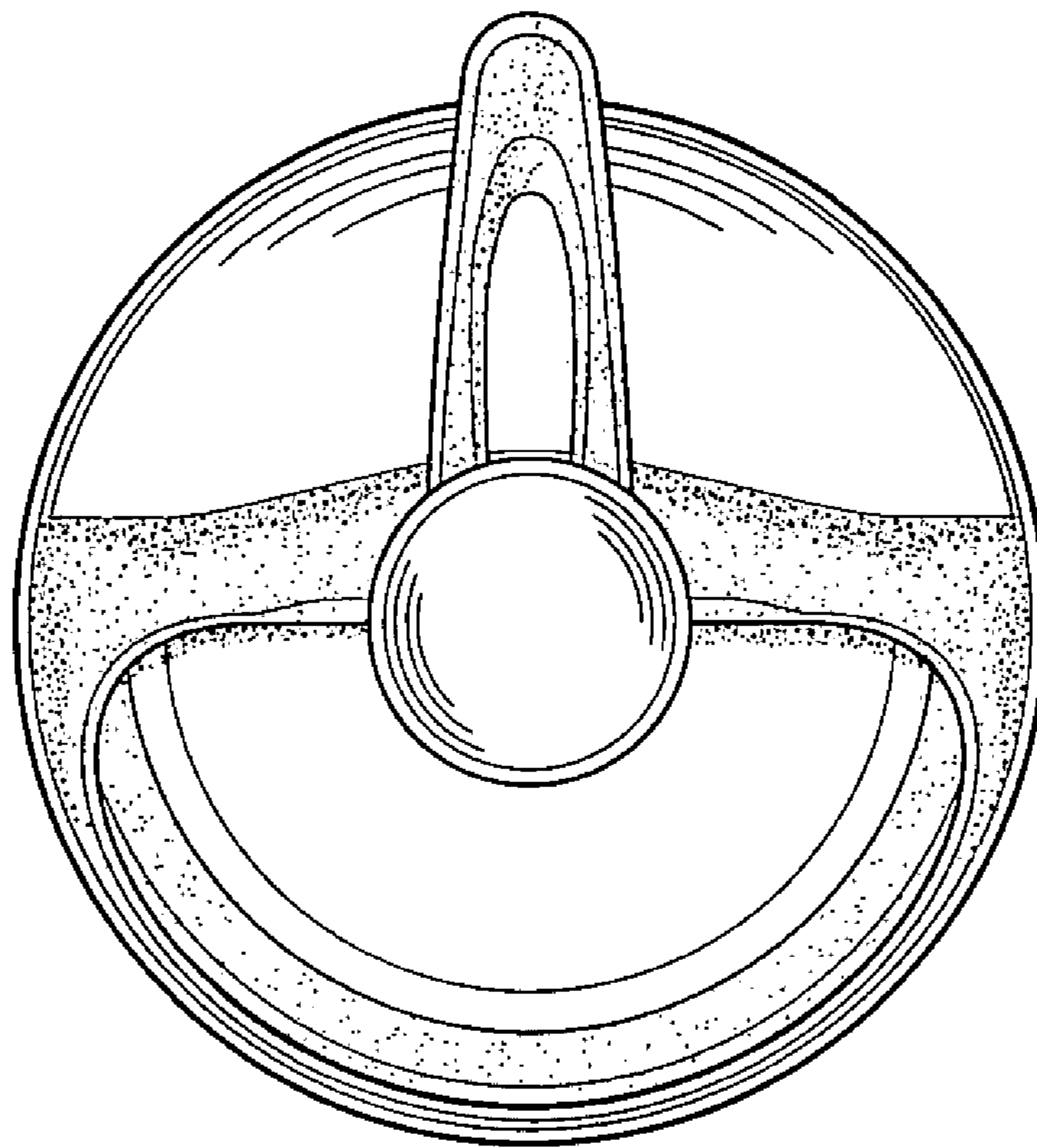


FIG. 10



**FIG. 11**



**FIG. 12**

