



US00D574109S

(12) **United States Design Patent**  
**Angeletta**

(10) **Patent No.:** **US D574,109 S**  
(45) **Date of Patent:** **\*\* Jul. 29, 2008**

(54) **LIQUID AND LOTION APPLICATOR**

(57) **CLAIM**

(76) Inventor: **Joseph G. Angeletta**, 418 Fifth St.,  
Mamaroneck, NY (US) 10543

The ornamental design for a liquid and lotion applicator, as shown and described.

(\*\*) Term: **14 Years**

**DESCRIPTION**

(21) Appl. No.: **29/176,831**

(22) Filed: **Feb. 27, 2003**

(51) **LOC (8) Cl.** ..... **28-02**

(52) **U.S. Cl.** ..... **D28/7**

(58) **Field of Classification Search** ..... D28/7,  
D28/63; D24/119; D4/114, 124; D3/271.12;  
132/317, 320; D9/675, 672, 453, 723, 725;  
401/268, 130, 261–267, 6, 139, 202–207,  
401/196, 266; 15/104.94, 104.93, 244.1,  
15/209.1, 210.1

See application file for complete search history.

(56) **References Cited**

**U.S. PATENT DOCUMENTS**

D210,189	S	*	2/1968	Weckman	.....	D9/675
5,299,877	A	*	4/1994	Birden	.....	401/206
D347,579	S	*	6/1994	Hann et al.	.....	D9/572
D349,632	S	*	8/1994	Nicholson et al.	.....	D7/613
5,659,916	A	*	8/1997	Beatty et al.	.....	15/210.1
D390,433	S	*	2/1998	Miller	.....	D8/38
D416,478	S	*	11/1999	Craven et al.	.....	D9/675
D437,309	S	*	2/2001	Brennan	.....	D14/218
D438,529	S	*	3/2001	Brennan	.....	D14/189
D446,881	S	*	8/2001	Angeletta	.....	D28/7
D447,339	S	*	9/2001	Rosmon	.....	D3/271.12
D461,597	S	*	8/2002	Angeletta	.....	D28/7
D473,486	S	*	4/2003	Gravois	.....	D11/157
D503,242	S	*	3/2005	Angeletta	.....	D28/7
D505,748	S	*	5/2005	Angeletta	.....	D28/7

\* cited by examiner

*Primary Examiner*—Lucy Lieberman

(74) *Attorney, Agent, or Firm*—Scully, Scott, Murphy & Presser, P.C.

FIG. 1 is a top, front and right side perspective view of a first embodiment of a liquid and lotion applicator showing my new design;

FIG. 2 is a top, front and right side perspective view of a second embodiment of the liquid and lotion applicator;

FIG. 3 is a top plan view of the second embodiment;

FIG. 4 is a bottom plan view of the second embodiment;

FIG. 5 is a perspective view of the second embodiment shown with the cover in an exploded condition;

FIG. 6 is a front elevation of the second embodiment;

FIG. 7 is a front elevation of the second embodiment shown without the cover to disclose the applicator portion;

FIG. 8 is a right side elevation of the second embodiment;

FIG. 9 is a cross sectional view of the cover of the second embodiment shown alone for clarity of illustration;

FIG. 10 is a side elevation of the cover of the second embodiment shown alone for clarity of illustration;

FIG. 11 is a perspective view of the second embodiment shown without the cover and with the applicator attachment in an exploded condition;

FIG. 12 is a right side elevation of the second embodiment shown with the cover in an exploded condition;

FIG. 13 is a right side elevation of the first embodiment shown with the cap removed for clarity of illustration;

FIG. 14 is a perspective view of the first embodiment shown with the cover in an exploded condition;

FIG. 15 is a top plan view of the first embodiment;

FIG. 16 is a right side elevation of the first embodiment;

FIG. 17 is a bottom plan view of the first embodiment;

FIG. 18 is a top, front and right side perspective view of a third embodiment of the liquid and lotion applicator;

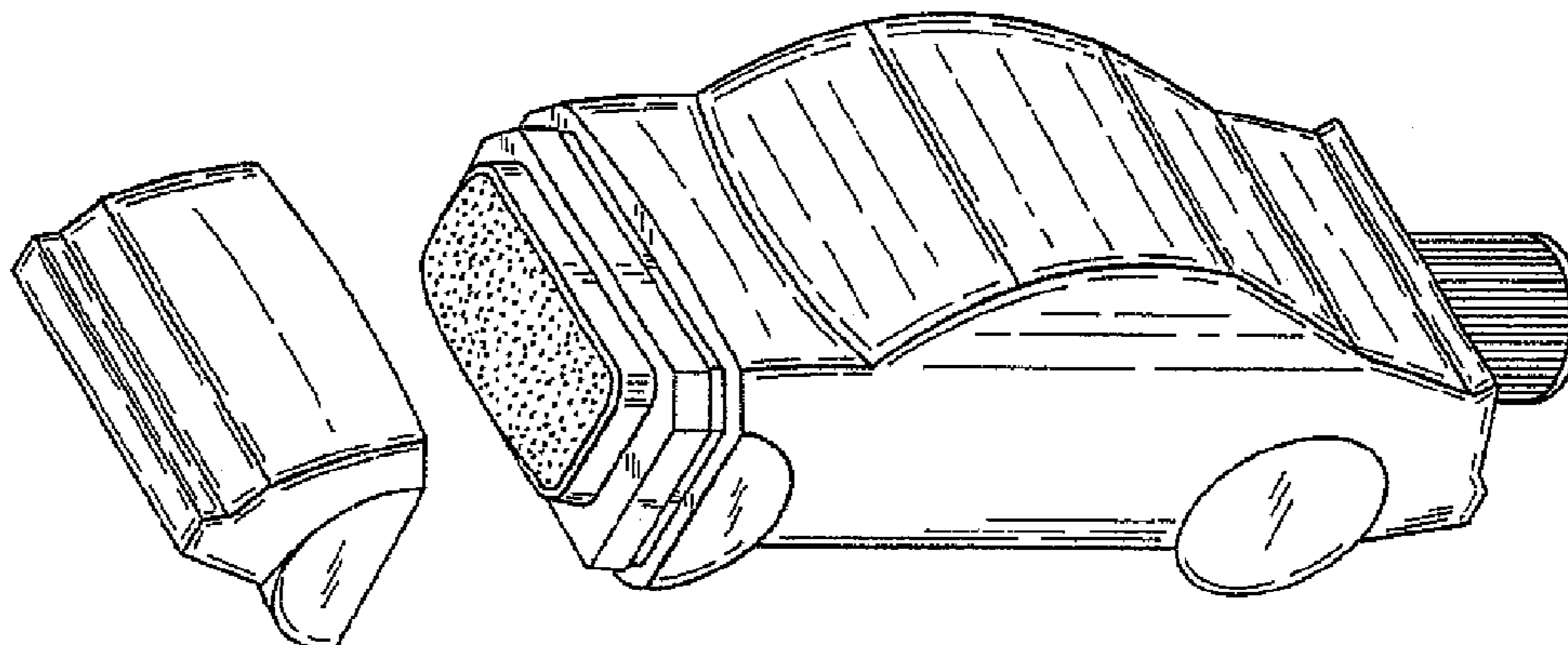


FIG. 19 is a top, front and right side perspective view of the third embodiment shown with the cover in an exploded condition;

FIG. 20 is a top, front and right side perspective view of the third embodiment shown without the cover and with the applicator attachment in an exploded condition;

FIG. 21 is a right side elevation of the third embodiment shown without the cover;

FIG. 22 is a top, rear and left side perspective view of the third embodiment;

FIG. 23 is a top, rear and left side perspective view of the third embodiment shown with the cover in an exploded condition;

FIG. 24 is a top, rear and left side perspective view of the third embodiment shown without the applicator attachment and cover for clarity of illustration;

FIG. 25 is a top, front and right side perspective view of a fourth embodiment of the liquid and lotion applicator;

FIG. 26 is a top, front and right side perspective view of the fourth embodiment shown with the cover in an exploded condition;

FIG. 27 is a top, front and right side perspective view of the fourth embodiment shown without the cover and with the applicator attachment in an exploded condition;

FIG. 28 is a right side elevation of the fourth embodiment shown without the cover;

FIG. 29 is a top, rear and left side perspective view of the fourth embodiment;

FIG. 30 is a top, rear and left side perspective view of the fourth embodiment shown with the cover in an exploded condition;

FIG. 31 is a top, rear and left side perspective view of the fourth embodiment shown without the applicator attachment and cover for clarity of illustration;

FIG. 32 is a top, front and right side perspective view of a fifth embodiment of the liquid and lotion applicator;

FIG. 33 is a top, front and right side perspective view of the fifth embodiment shown with the cover in an exploded condition;

FIG. 34 is a top, front and right side perspective view of the fifth embodiment shown without the cover and with the applicator attachment in an exploded condition;

FIG. 35 is a right side elevation of the fifth embodiment shown without the cover;

FIG. 36 is a top, rear and left side perspective view of the fifth embodiment;

FIG. 37 is a top, rear and left side perspective view of the fifth embodiment shown with the cover in an exploded condition;

FIG. 38 is a top, rear and left side perspective view of the fifth embodiment shown without the applicator attachment and cover for clarity of illustration;

FIG. 39 is a top, front and right side perspective view of a sixth embodiment of the liquid and lotion applicator;

FIG. 40 is a top, front and right side perspective view of the sixth embodiment shown with the cover in an exploded condition;

FIG. 41 is a top, front and right side perspective view of the sixth embodiment shown without the cover and with the applicator attachment in an exploded condition;

FIG. 42 is a right side elevation of the sixth embodiment shown without the cover;

FIG. 43 is a top, rear and left side perspective view of the sixth embodiment;

FIG. 44 is a top, rear and left side perspective view of the sixth embodiment shown with the cover in an exploded condition;

FIG. 45 is a top, rear and left side perspective view of the sixth embodiment shown without the applicator attachment and cover for clarity of illustration;

FIG. 46 is a top, front and right side perspective view of a seventh embodiment of the liquid and lotion applicator;

FIG. 47 is a top, front and right side perspective view of the seventh embodiment shown with the cover in an exploded condition;

FIG. 48 is a top, front and right side perspective view of the seventh embodiment shown without the cover and with the applicator attachment in an exploded condition;

FIG. 49 is a right side elevation of the seventh embodiment shown without the cover;

FIG. 50 is a top, rear and left side perspective view of the seventh embodiment;

FIG. 51 is a top, rear and left side perspective view of the seventh embodiment shown with the cover in an exploded condition;

FIG. 52 is a top, rear and left side perspective view of the seventh embodiment shown without the applicator attachment and cover for clarity of illustration;

FIG. 53 is a top, front and right side perspective view of an eighth embodiment of the liquid and lotion applicator;

FIG. 54 is a top, front and right side perspective view of the eighth embodiment shown with the cover in an exploded condition;

FIG. 55 is a top, front and right side perspective view of the eighth embodiment shown without the cover and with the applicator attachment in an exploded condition;

FIG. 56 is a right side elevation of the eighth embodiment shown without the cover;

FIG. 57 is a top, rear and left side perspective view of the eighth embodiment;

FIG. 58 is a top, rear and left side perspective view of the eighth embodiment shown with the cover in an exploded condition; and,

FIG. 59 is a top, rear and left side perspective view of the eighth embodiment shown without the applicator attachment and cover for clarity of illustration.

Some of the views in the drawings are shown on different scales. The cover has been omitted in FIGS. 11, 20, 21, 27, 28, 34, 35, 41, 42, 48, 49, 55 and 56 for ease and clarity of illustration and not as a claim to segregable parts. The cover and applicator attachment have been omitted in FIGS. 24, 31, 38, 45, 52 and 59 for clarity of illustration and not as a claim to segregable parts.

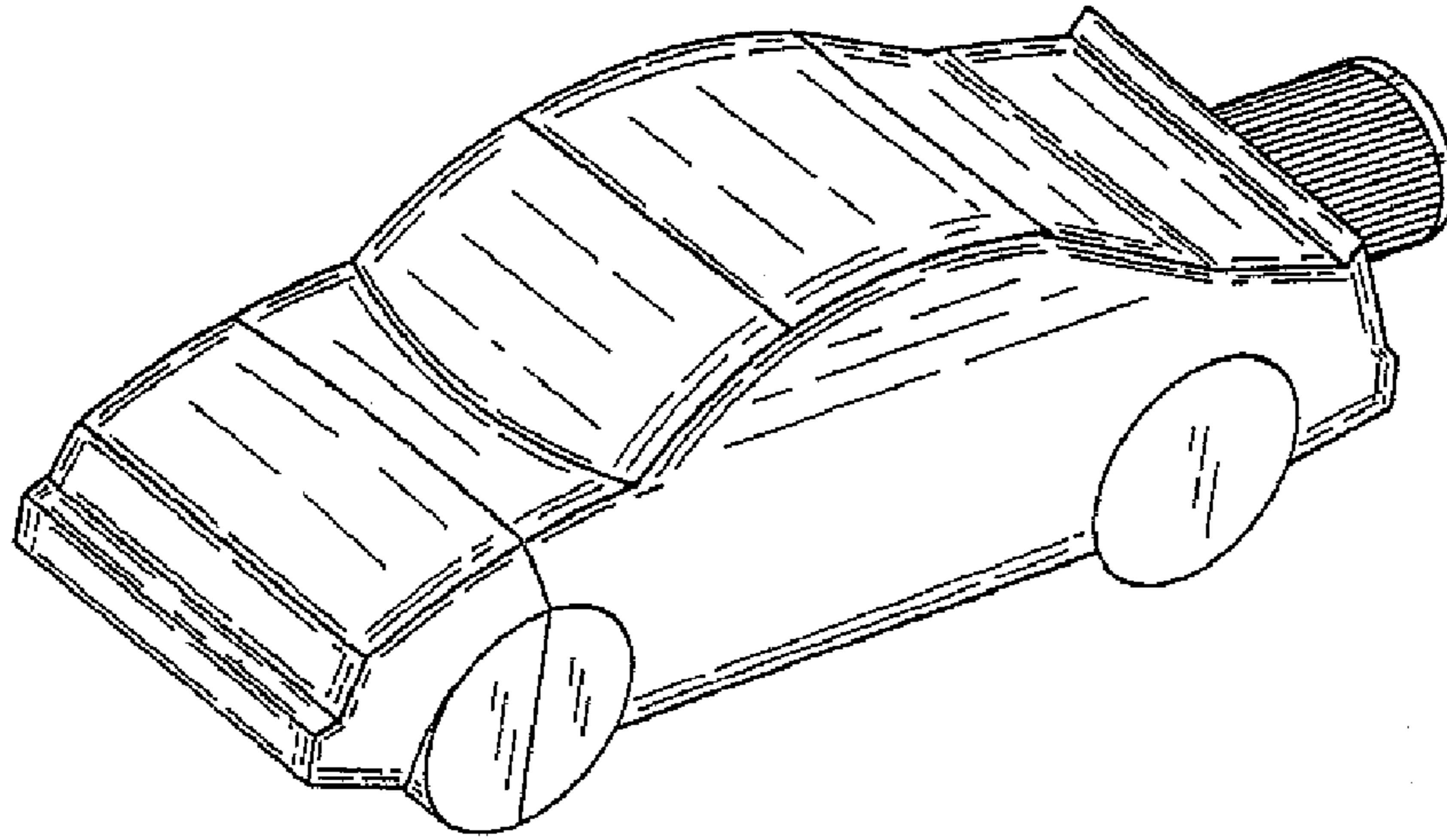


FIG. 1

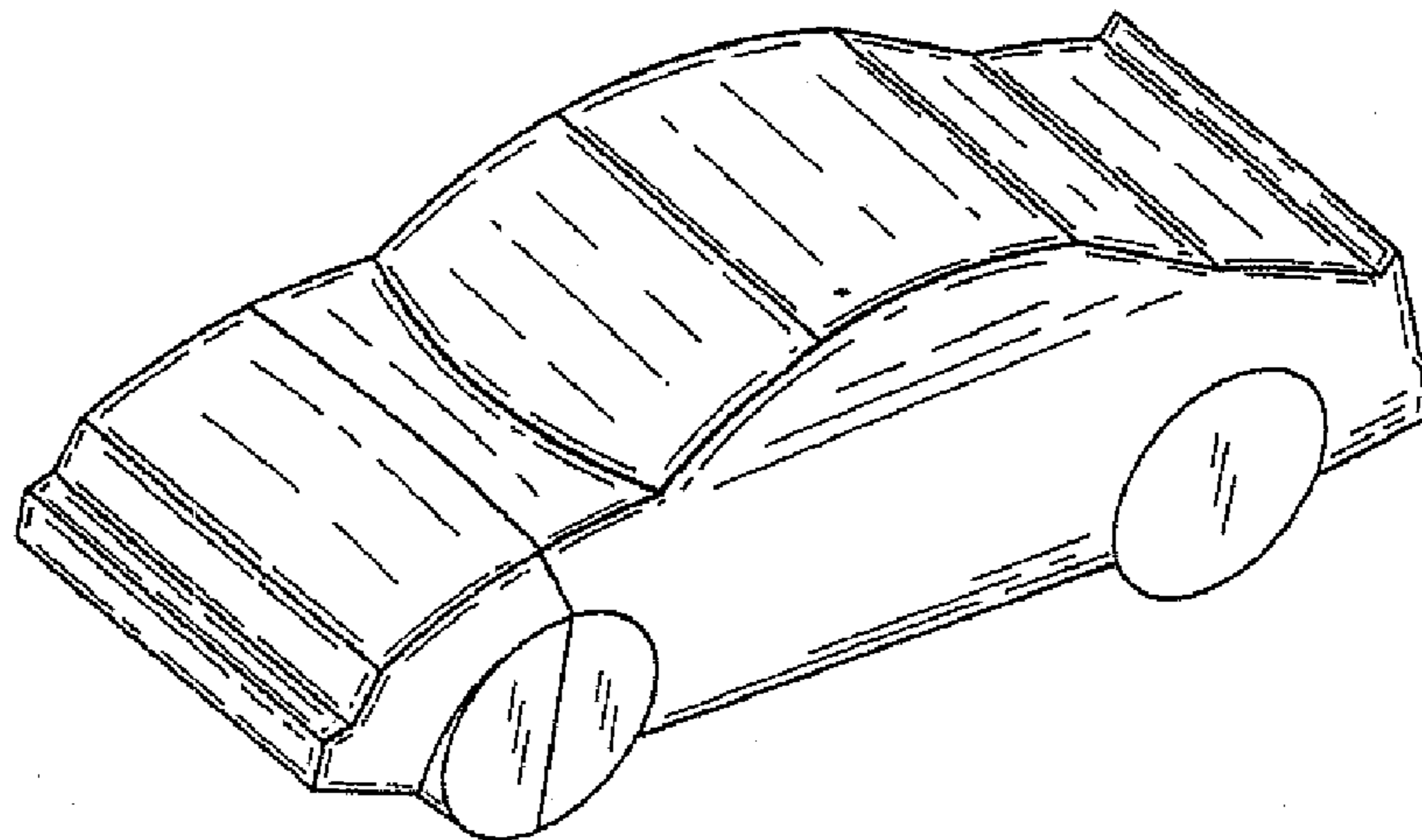


FIG. 2

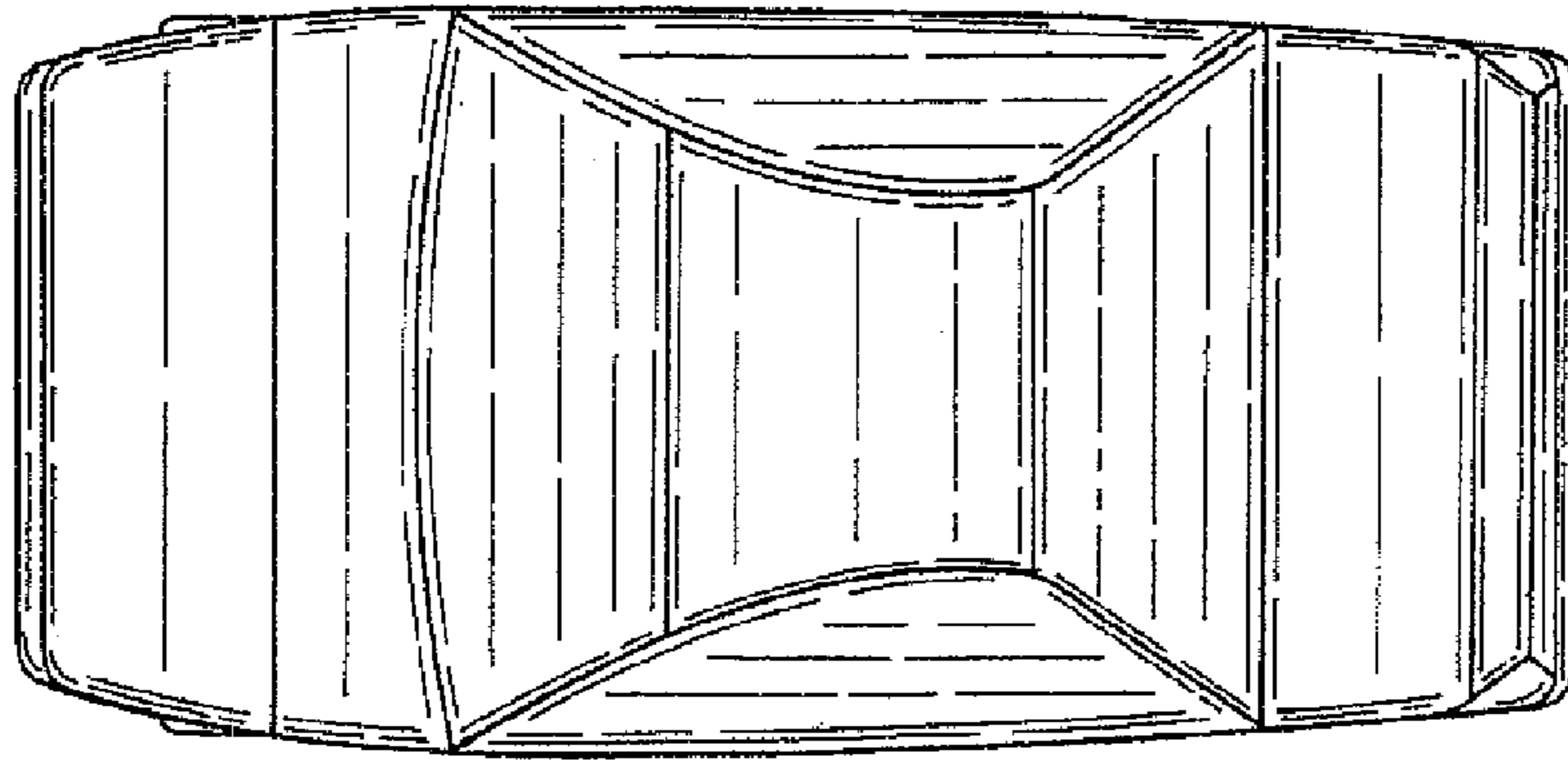


FIG. 3

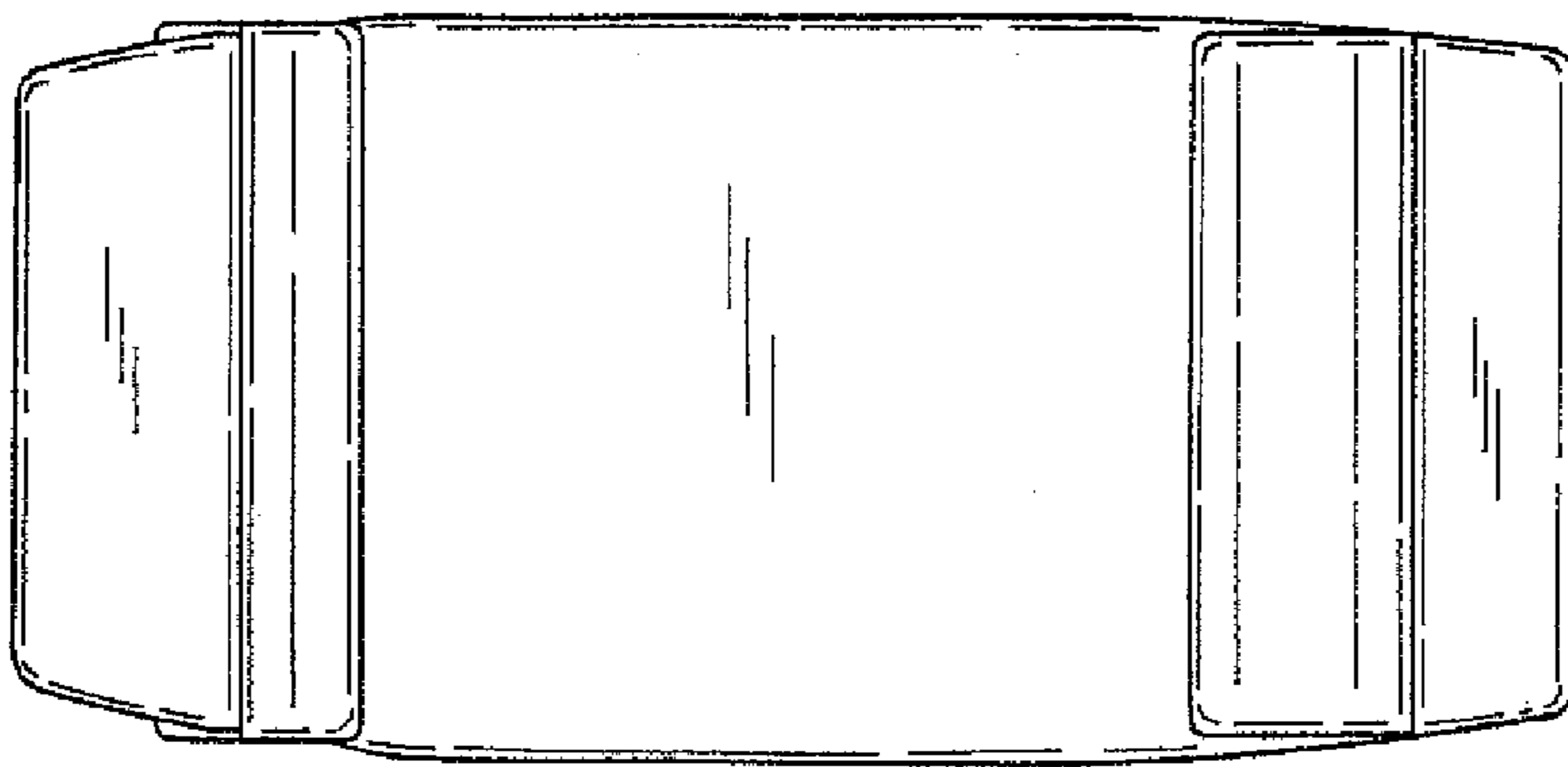


FIG. 4

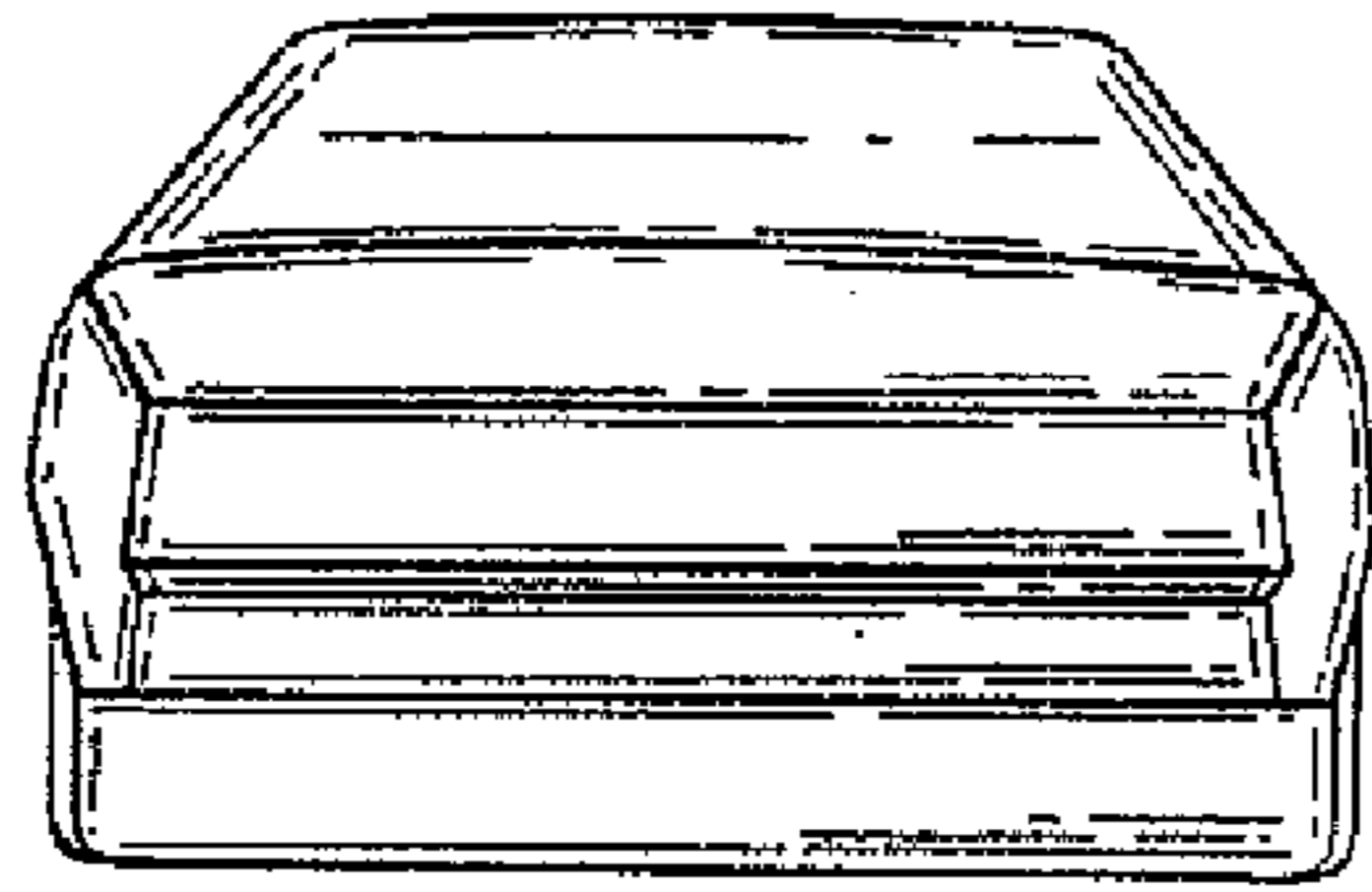


FIG. 6

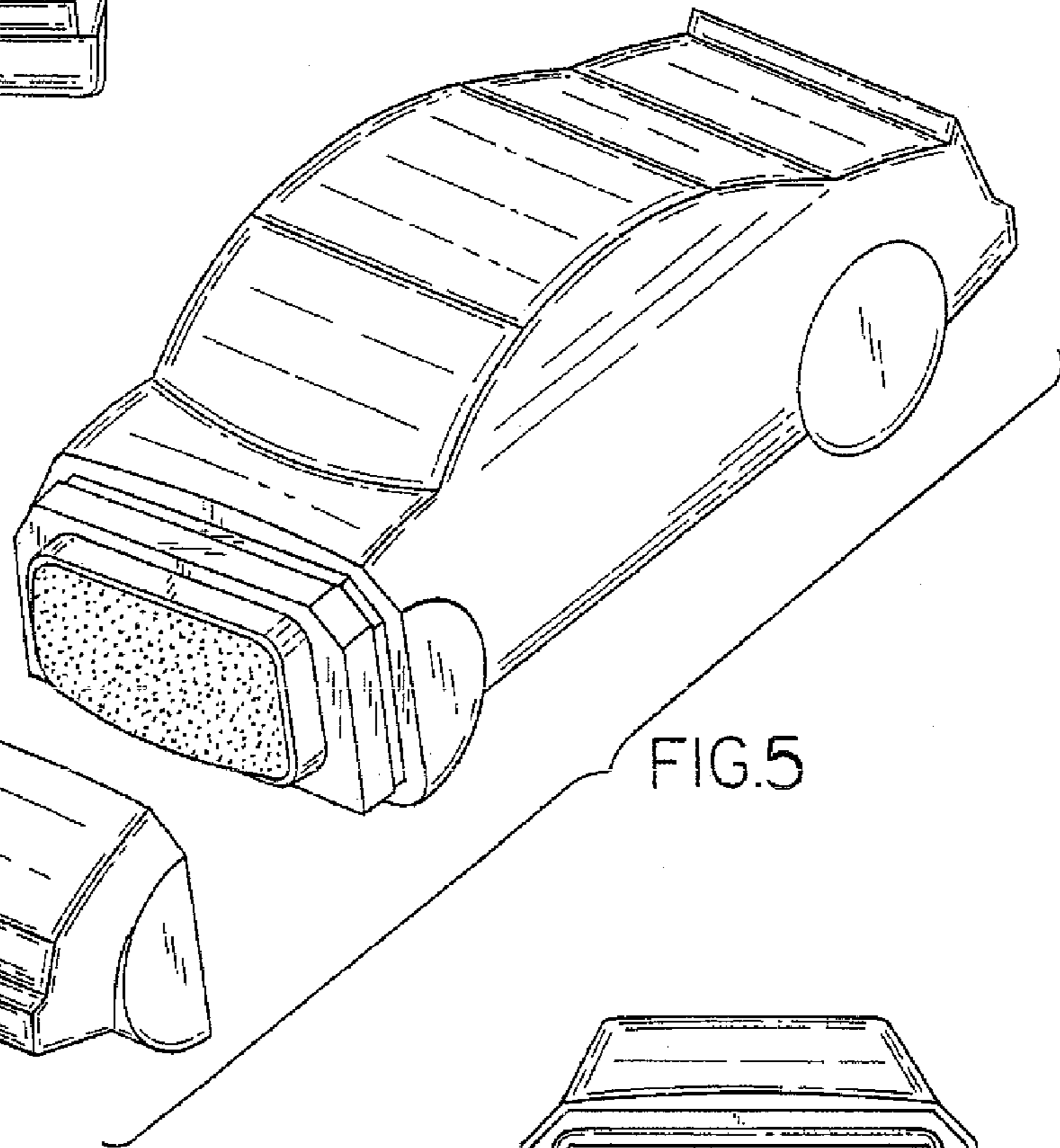


FIG. 5

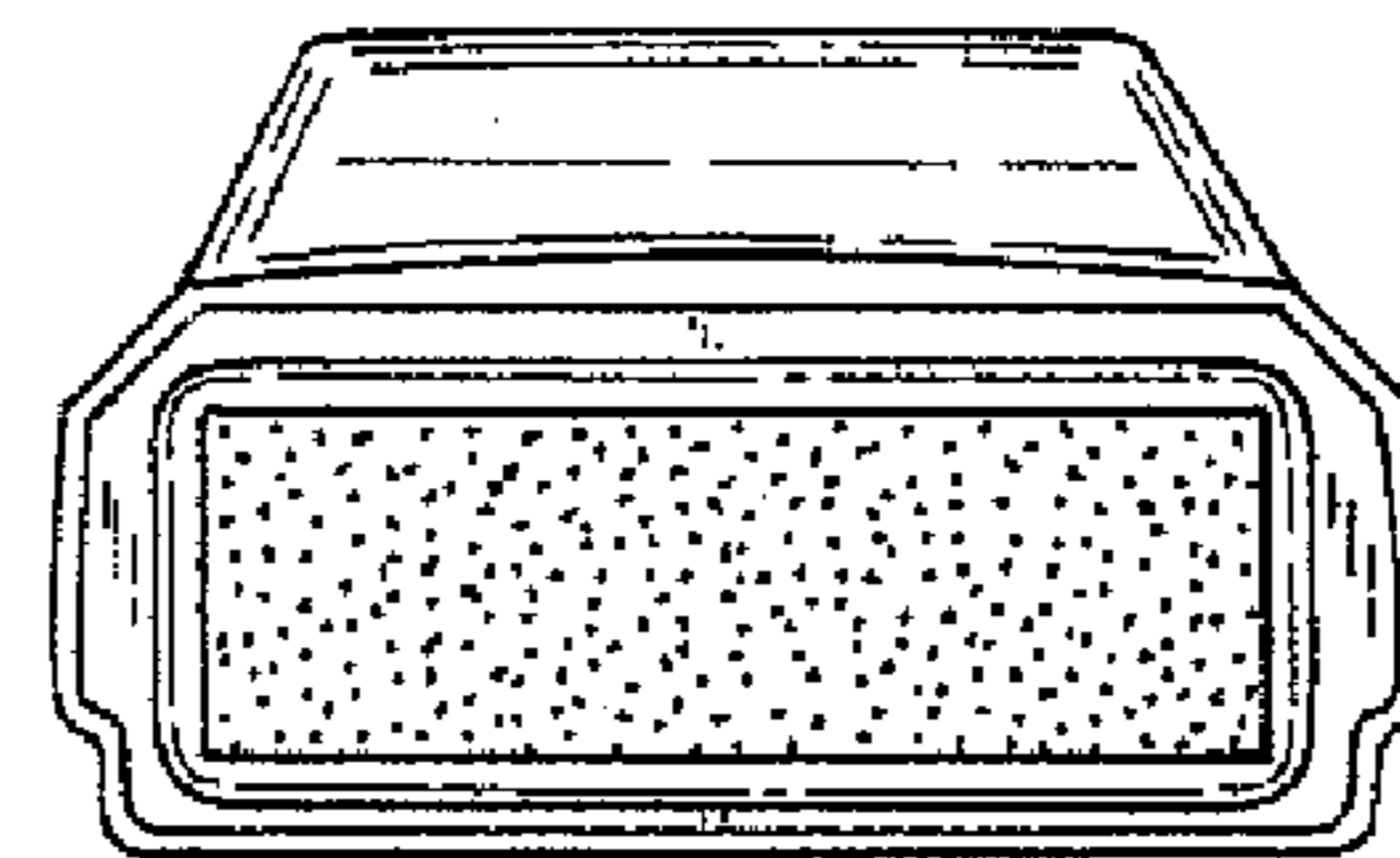
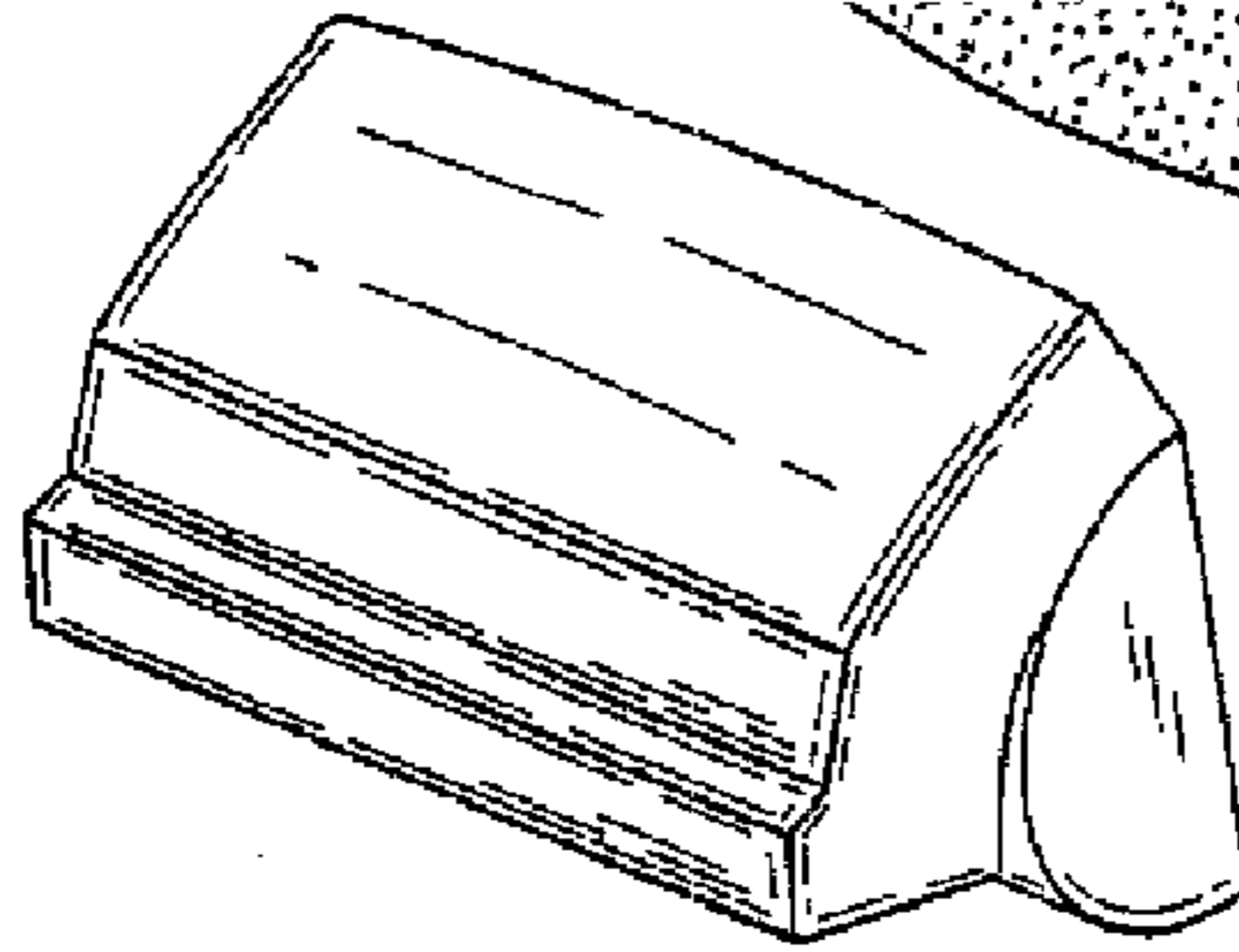


FIG. 7

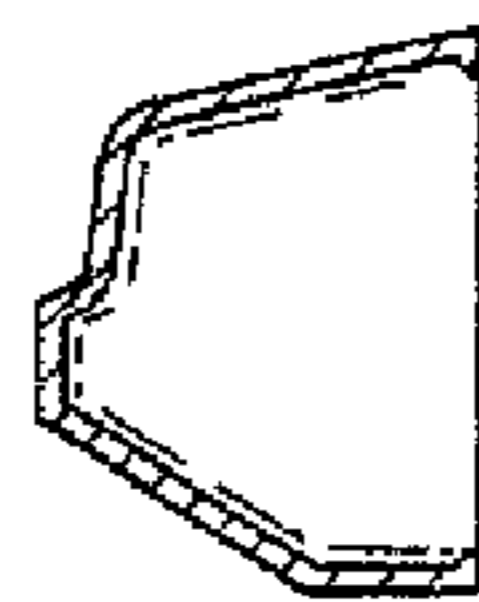


FIG. 9

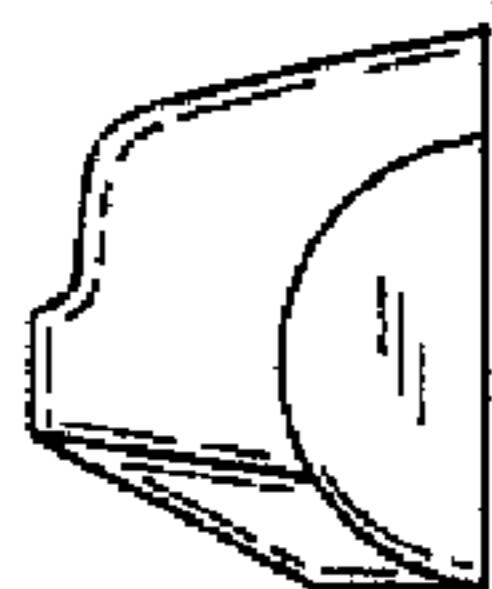


FIG. 10

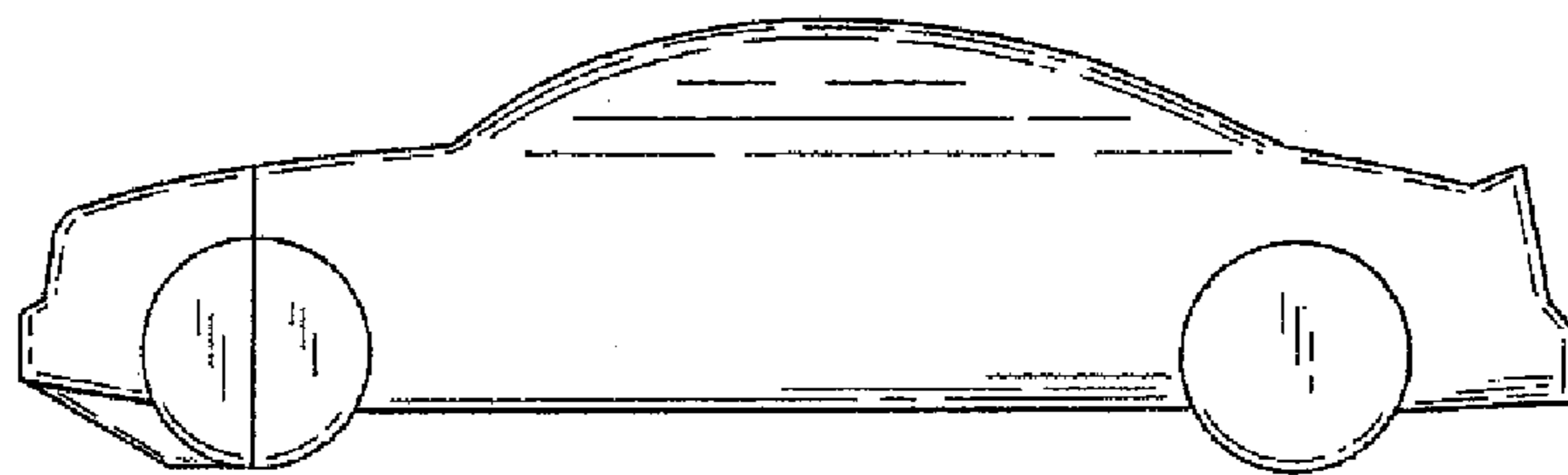


FIG. 8

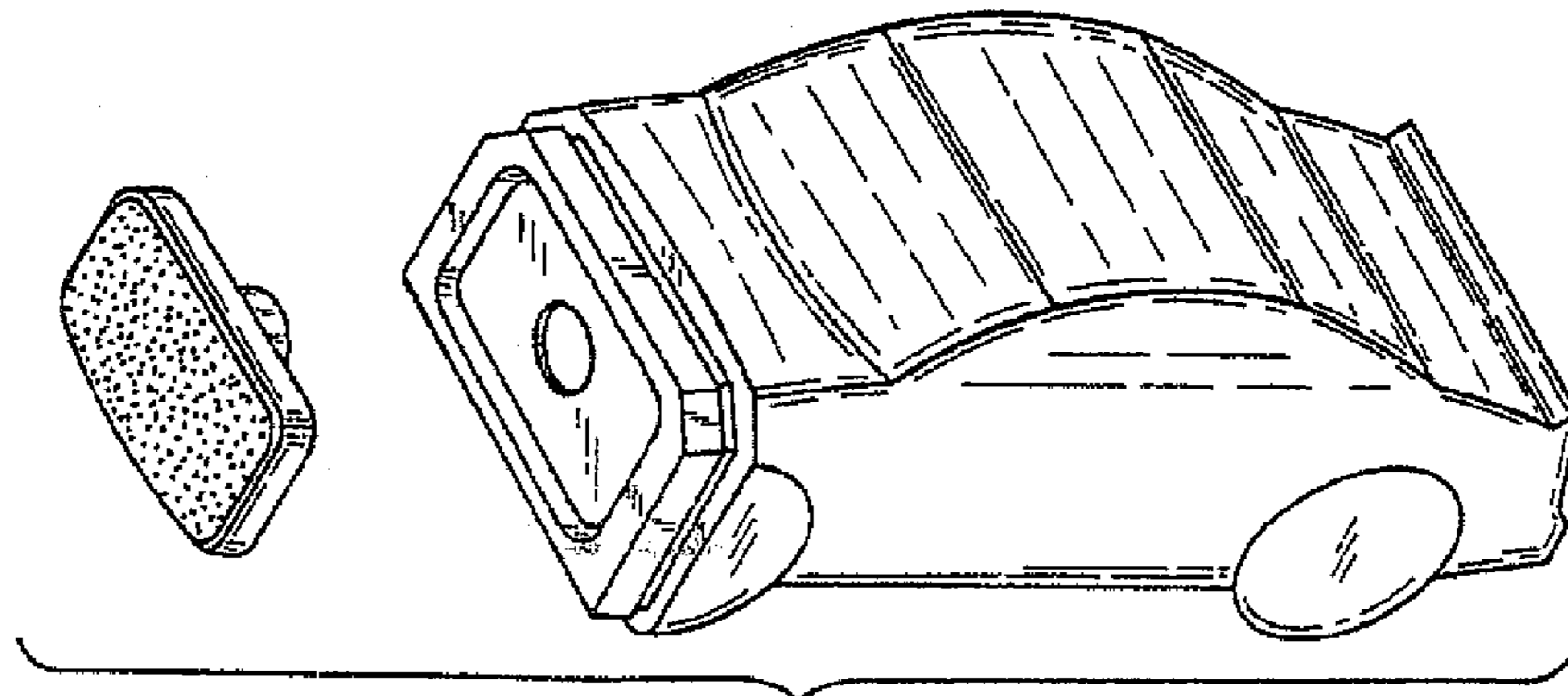


FIG. 11

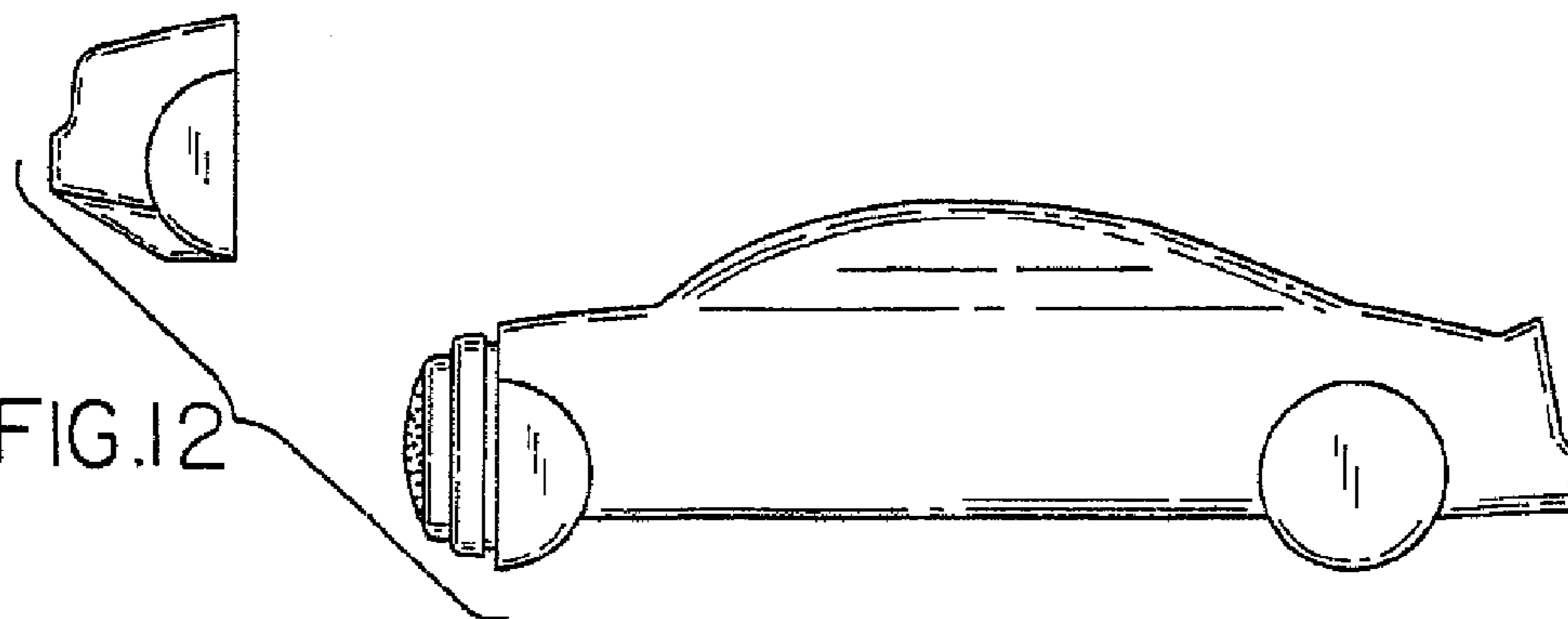


FIG. 12

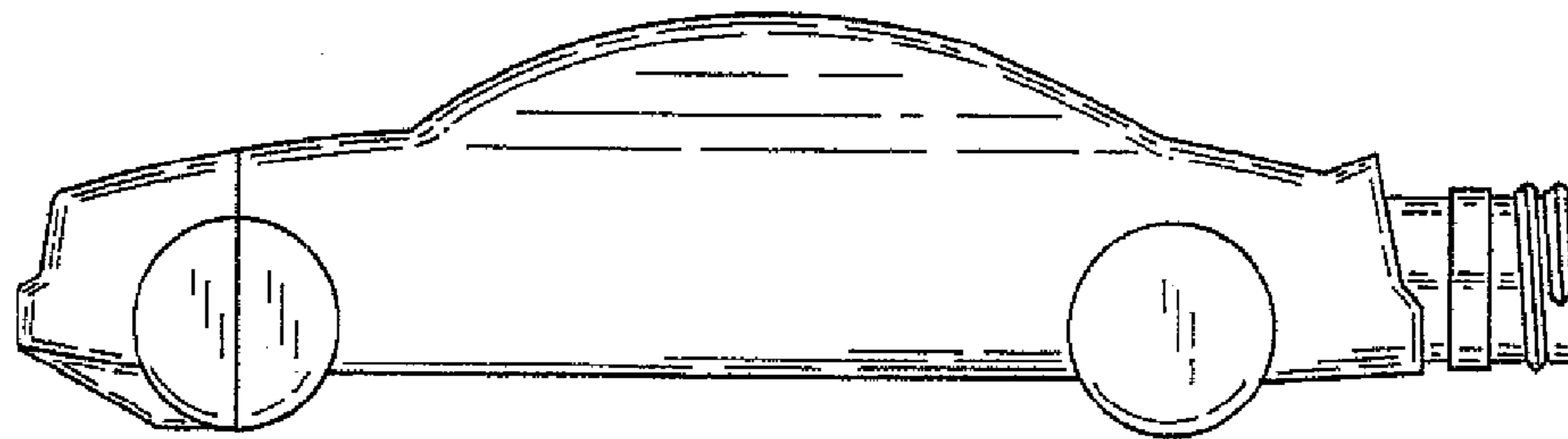


FIG. 13

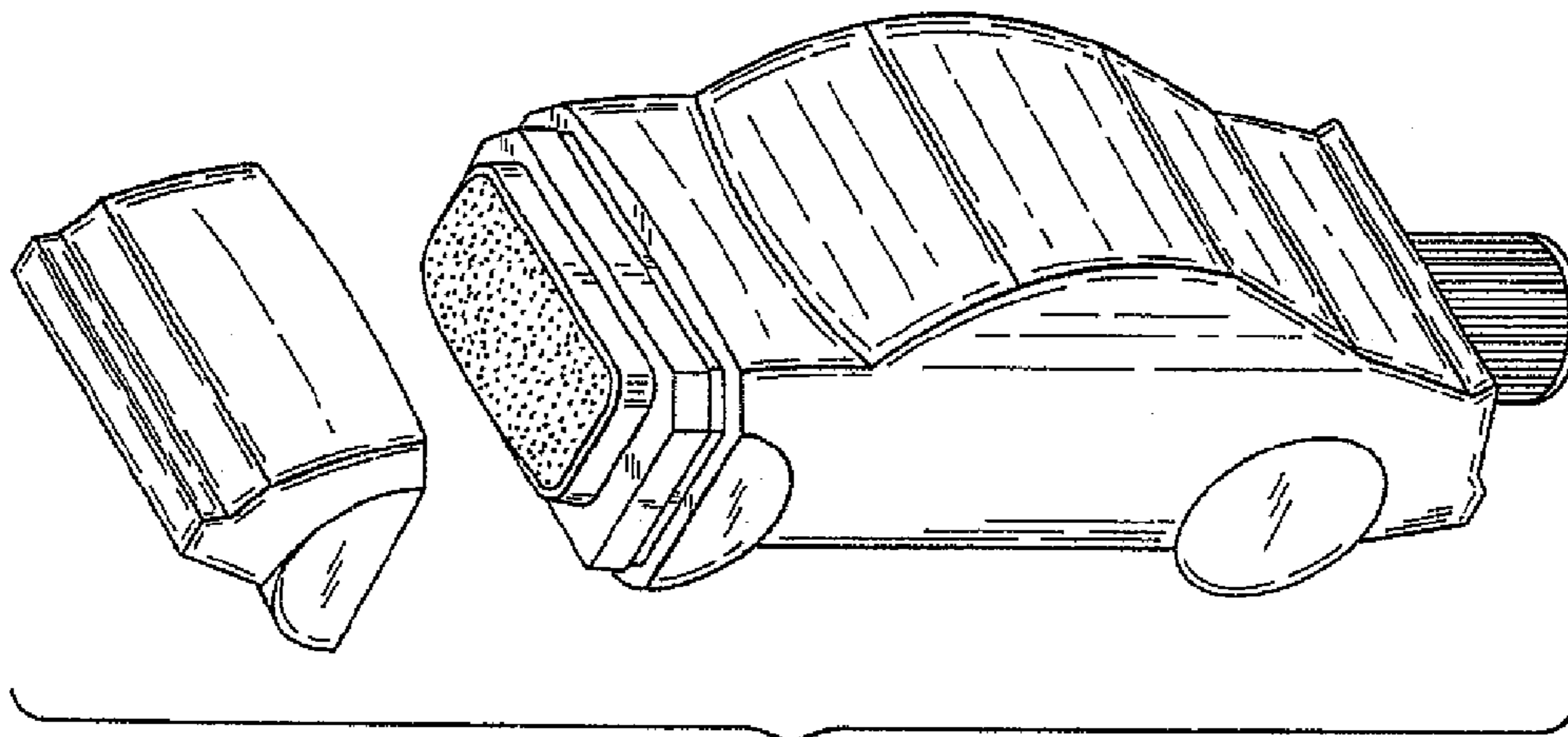


FIG. 14

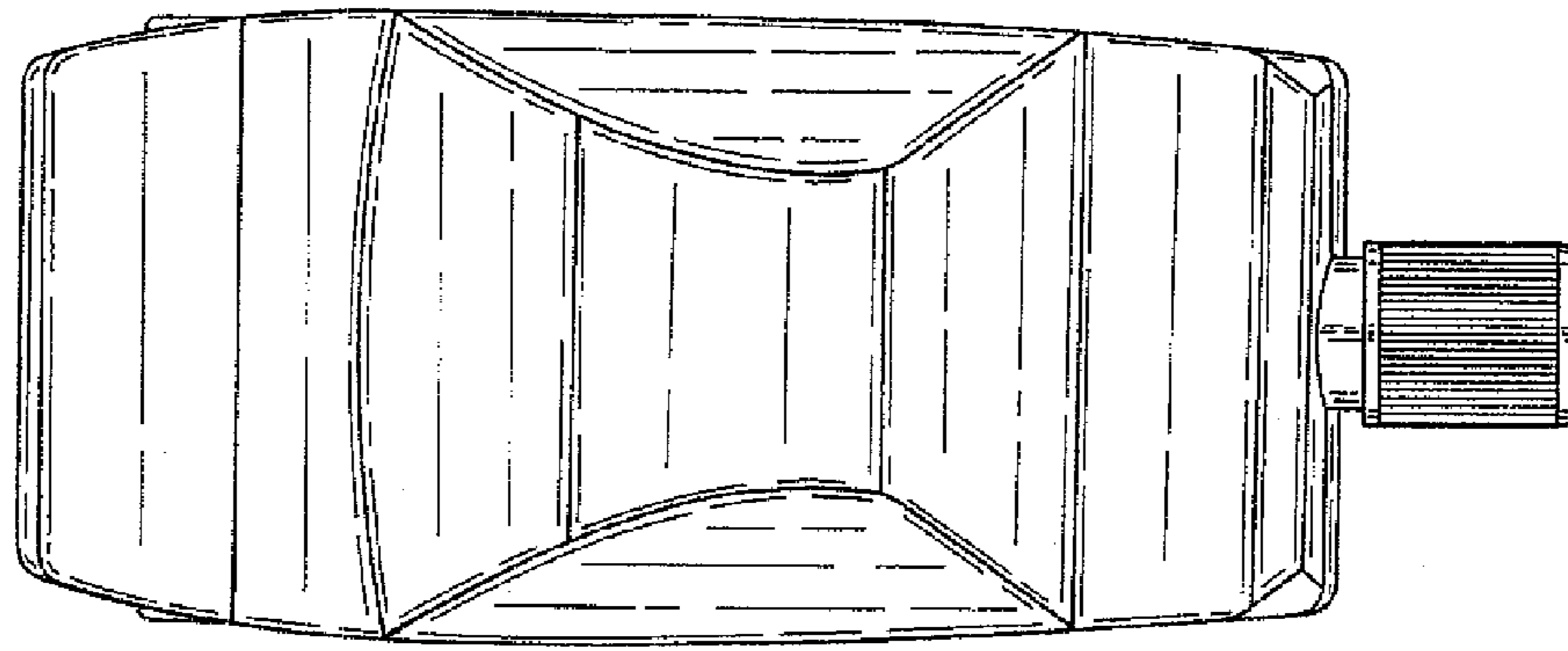


FIG. 15

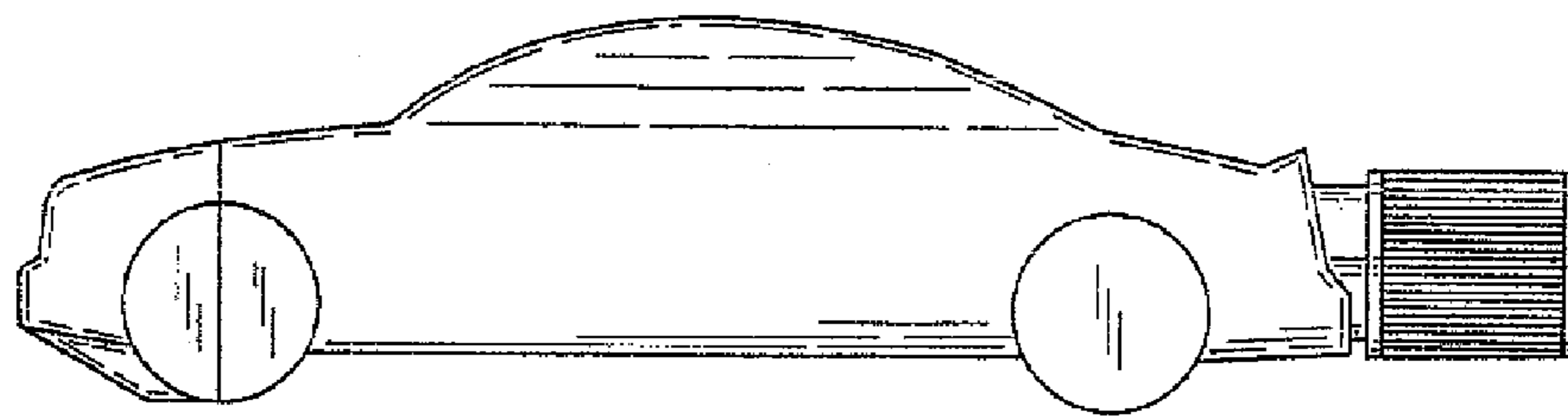


FIG. 16

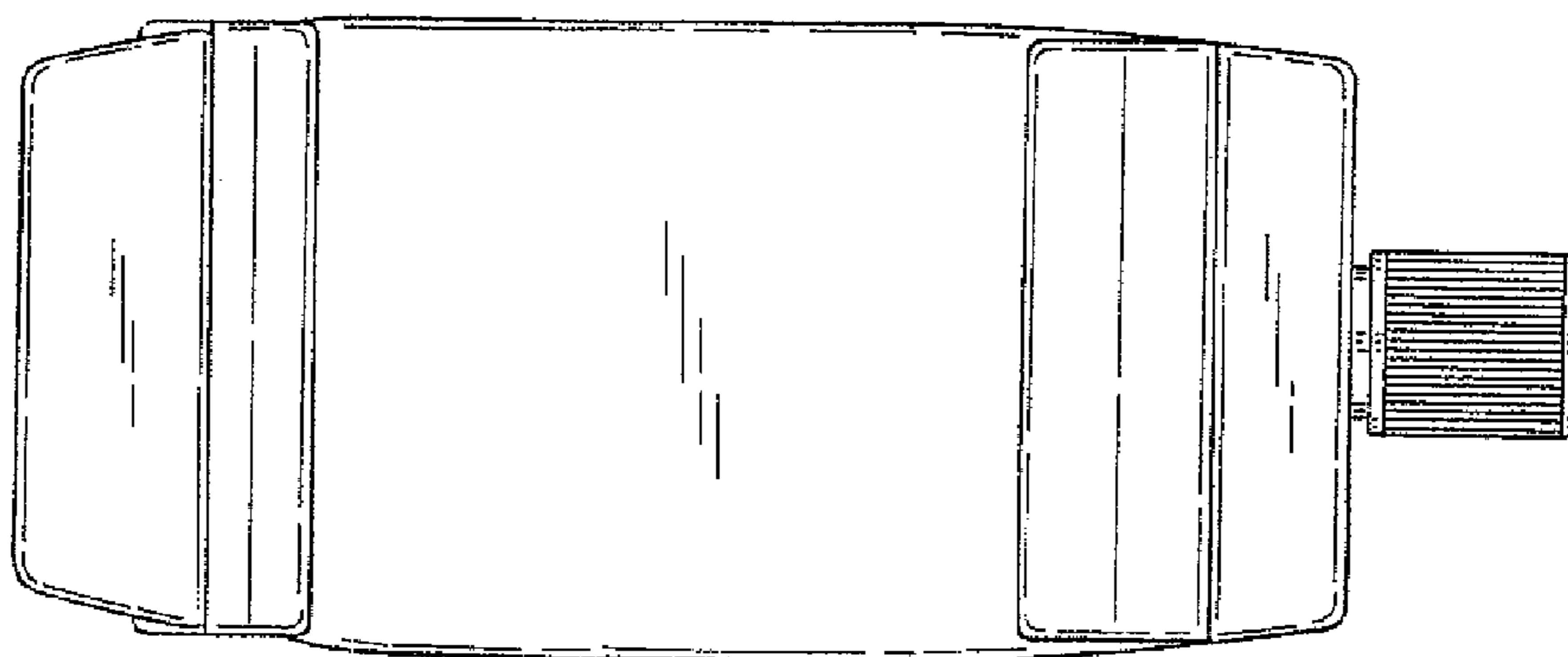


FIG. 17



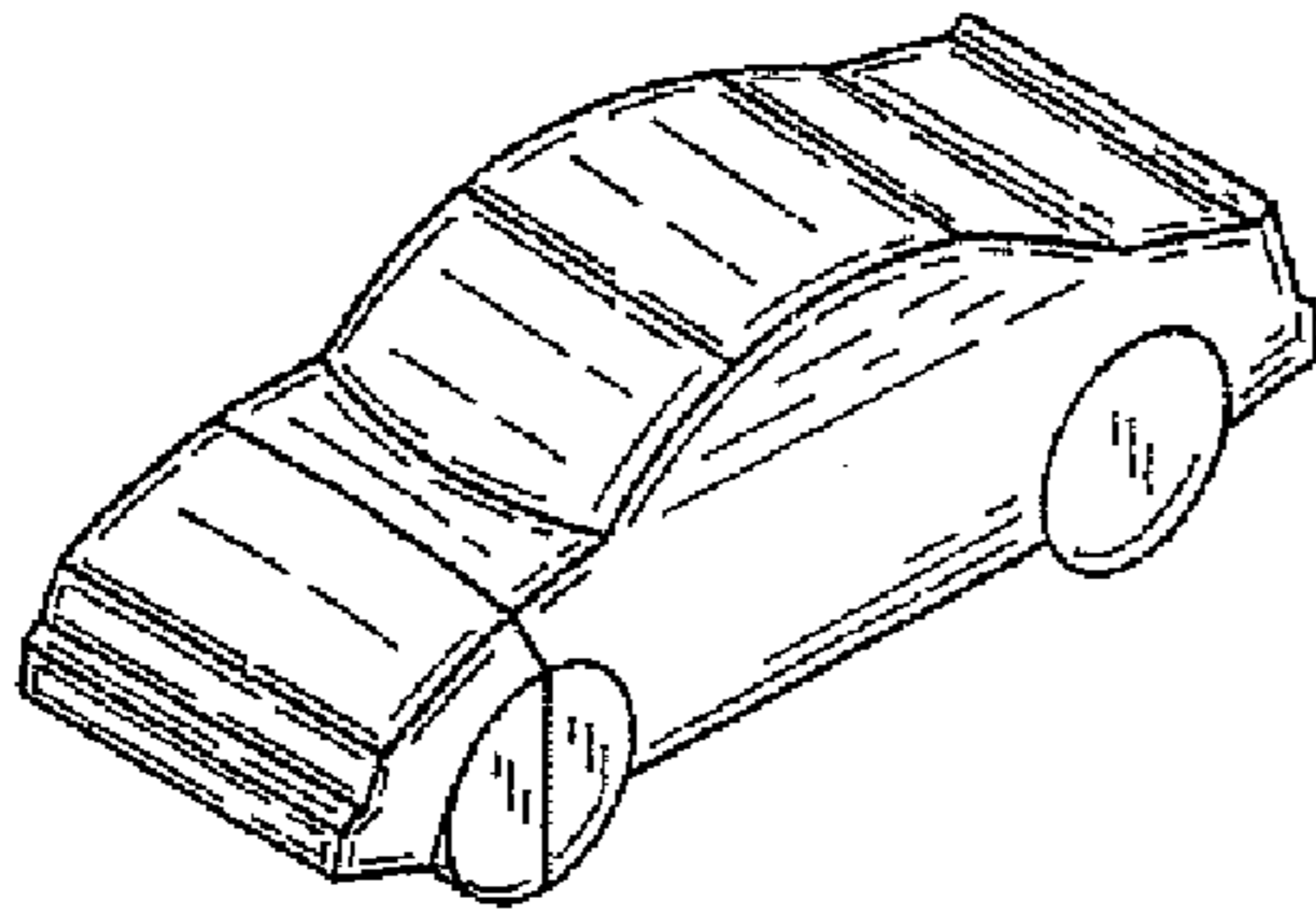


FIG. 18

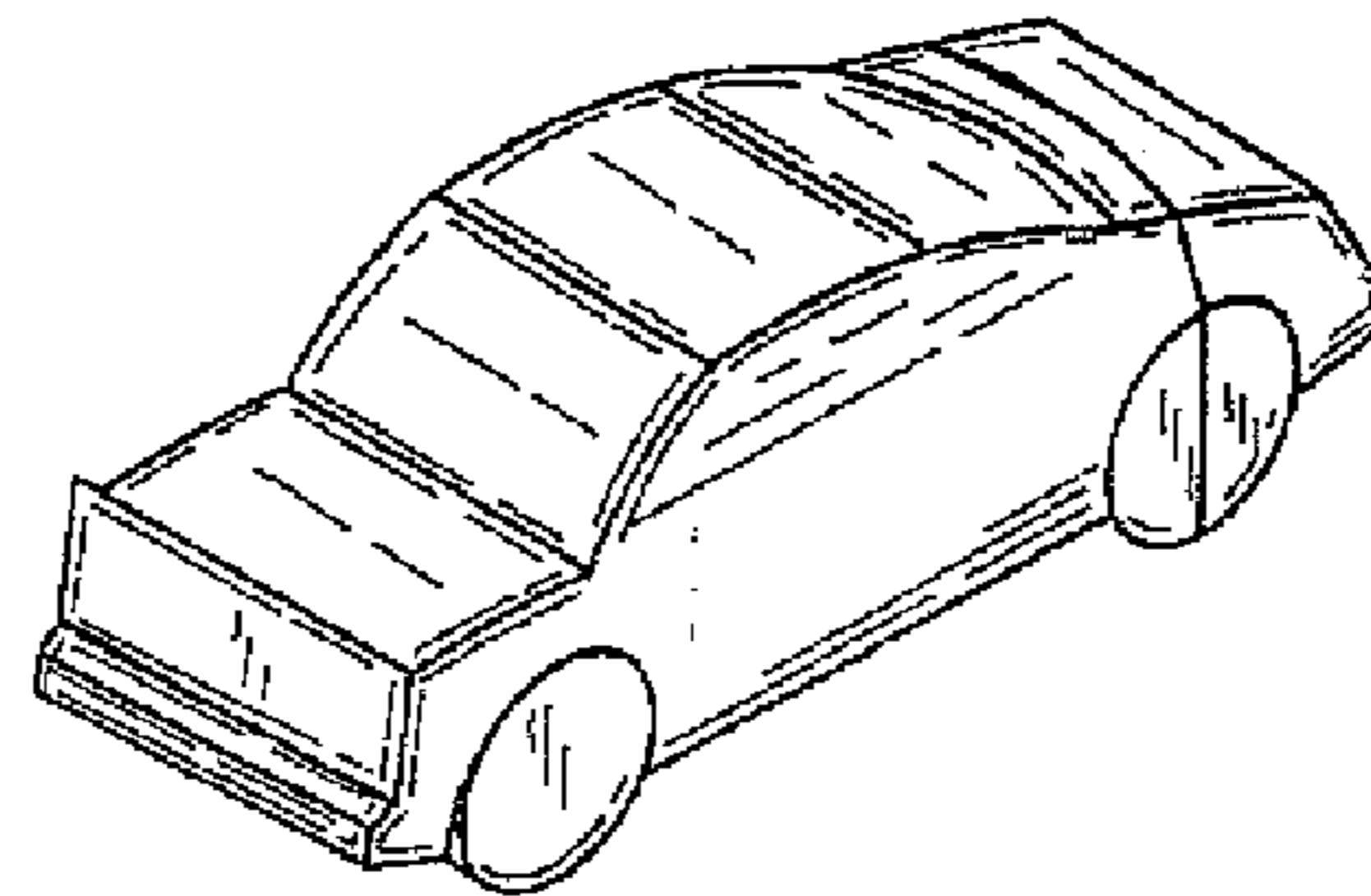


FIG. 22

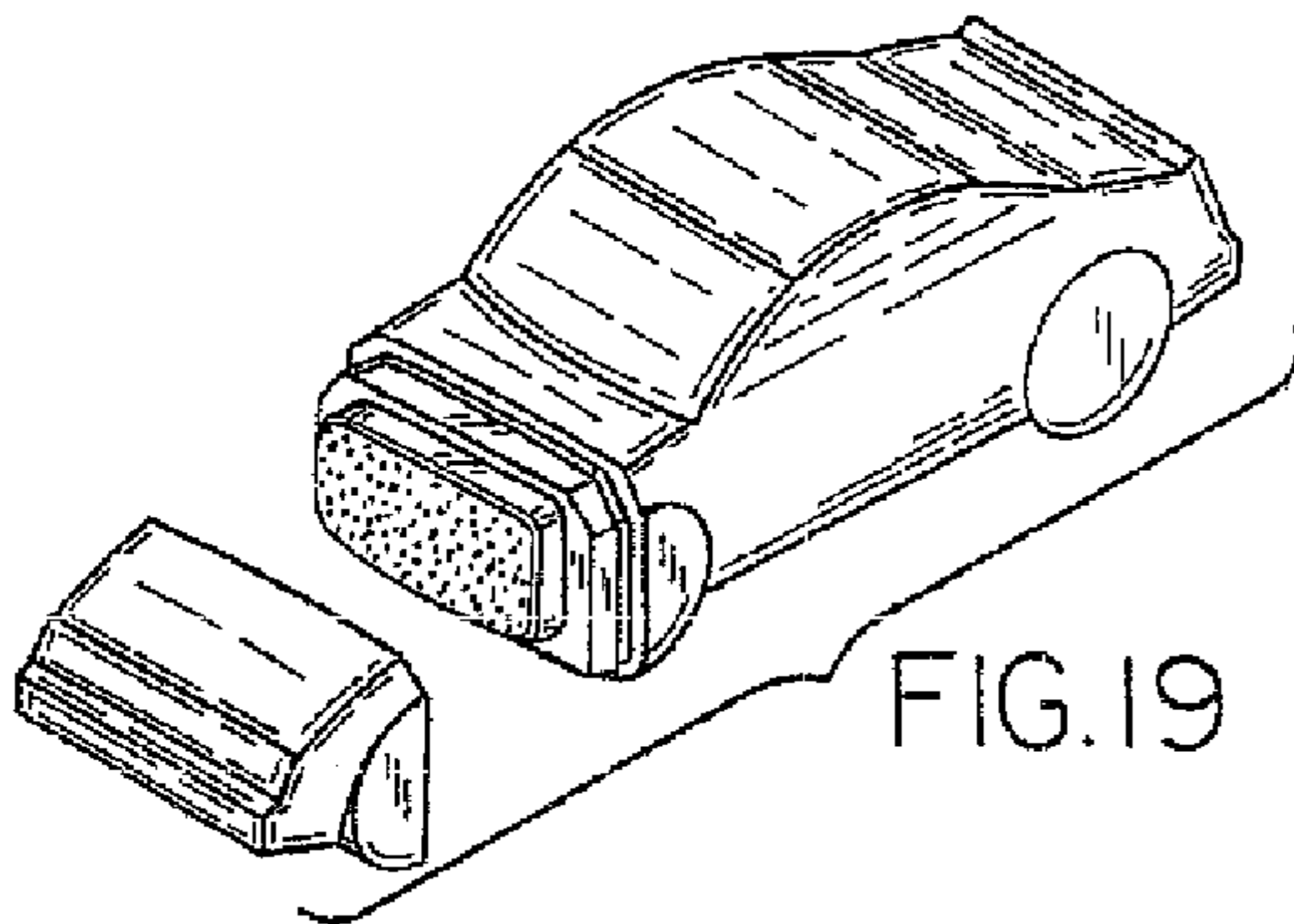


FIG. 19

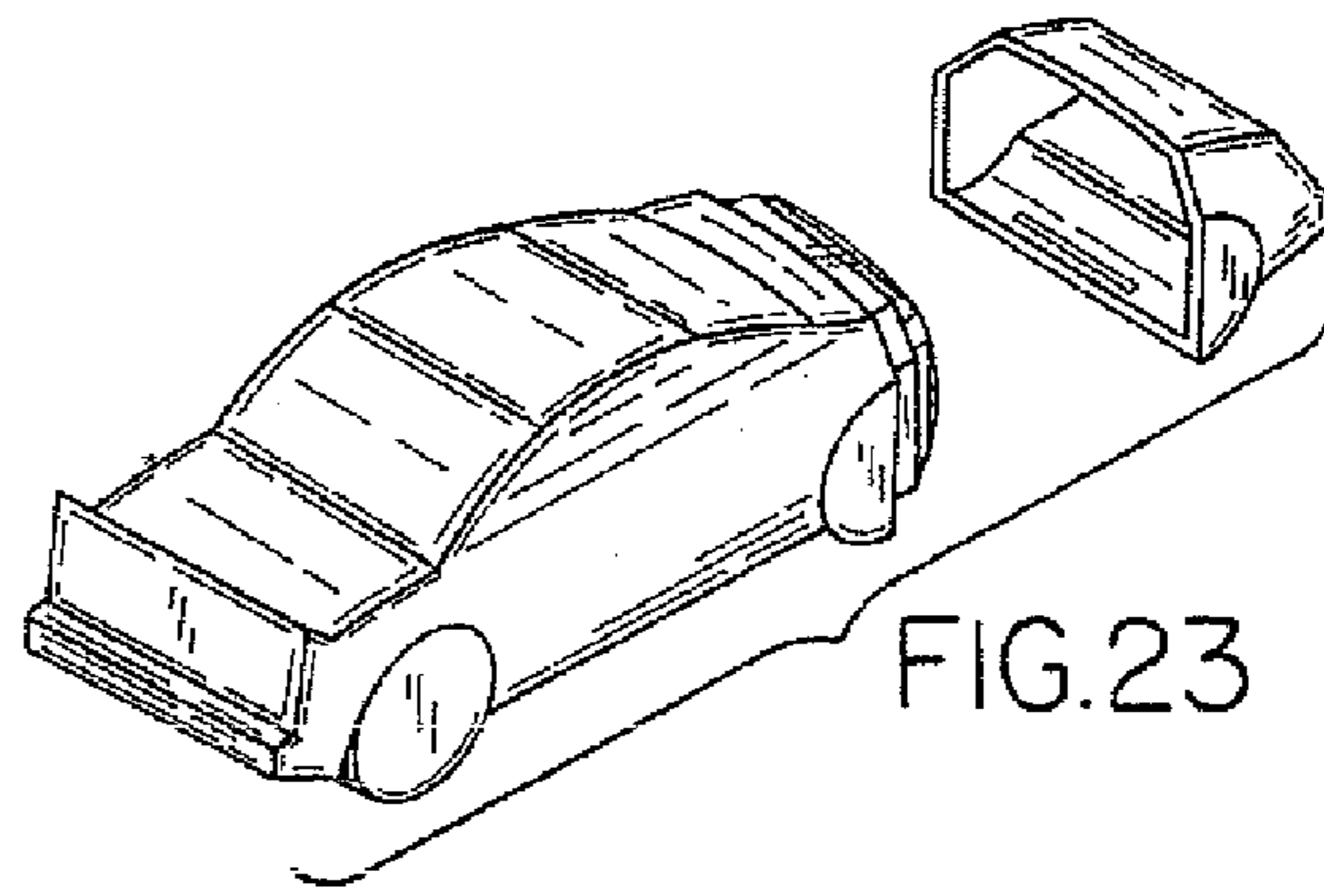


FIG. 23

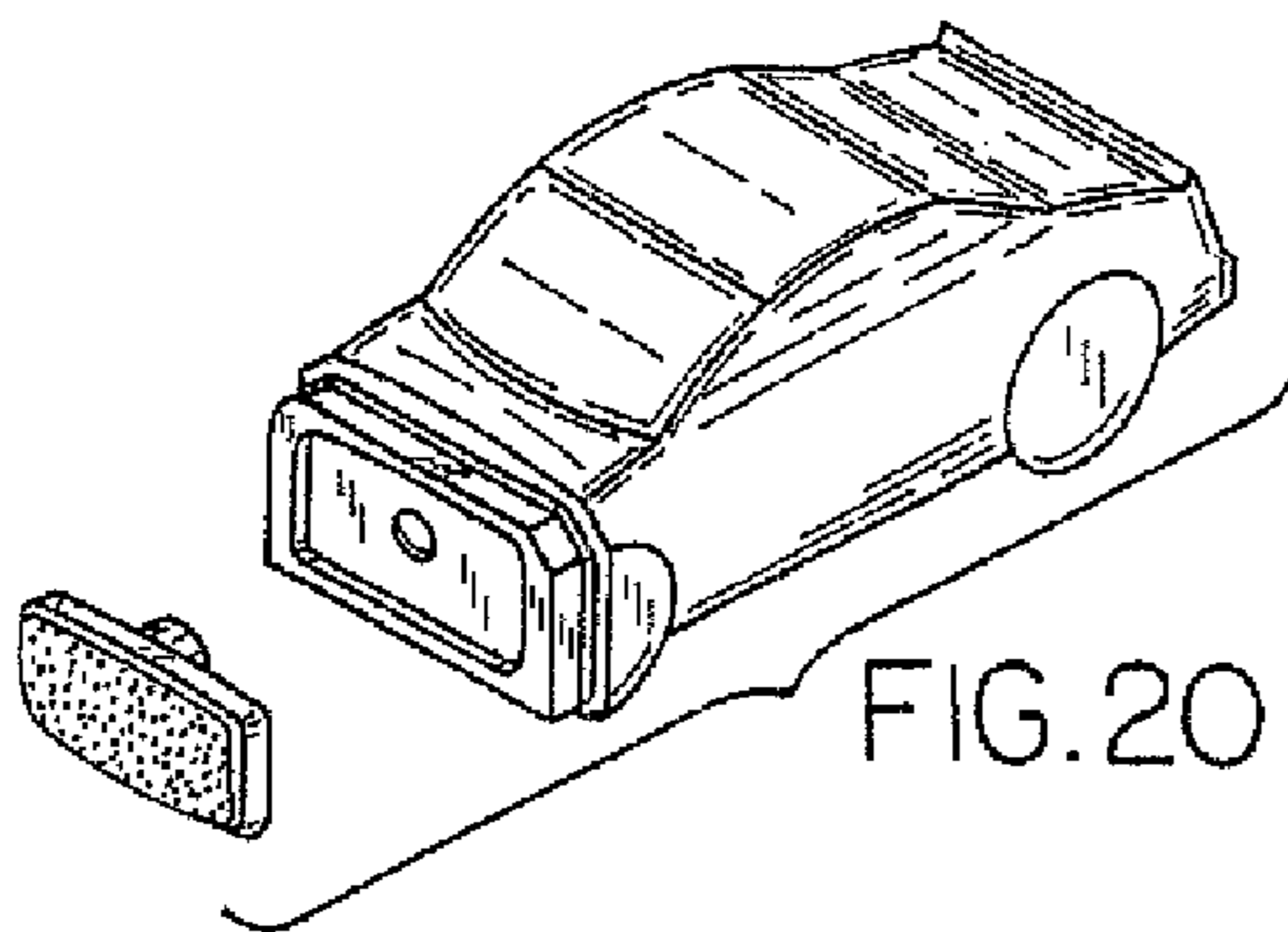


FIG. 20

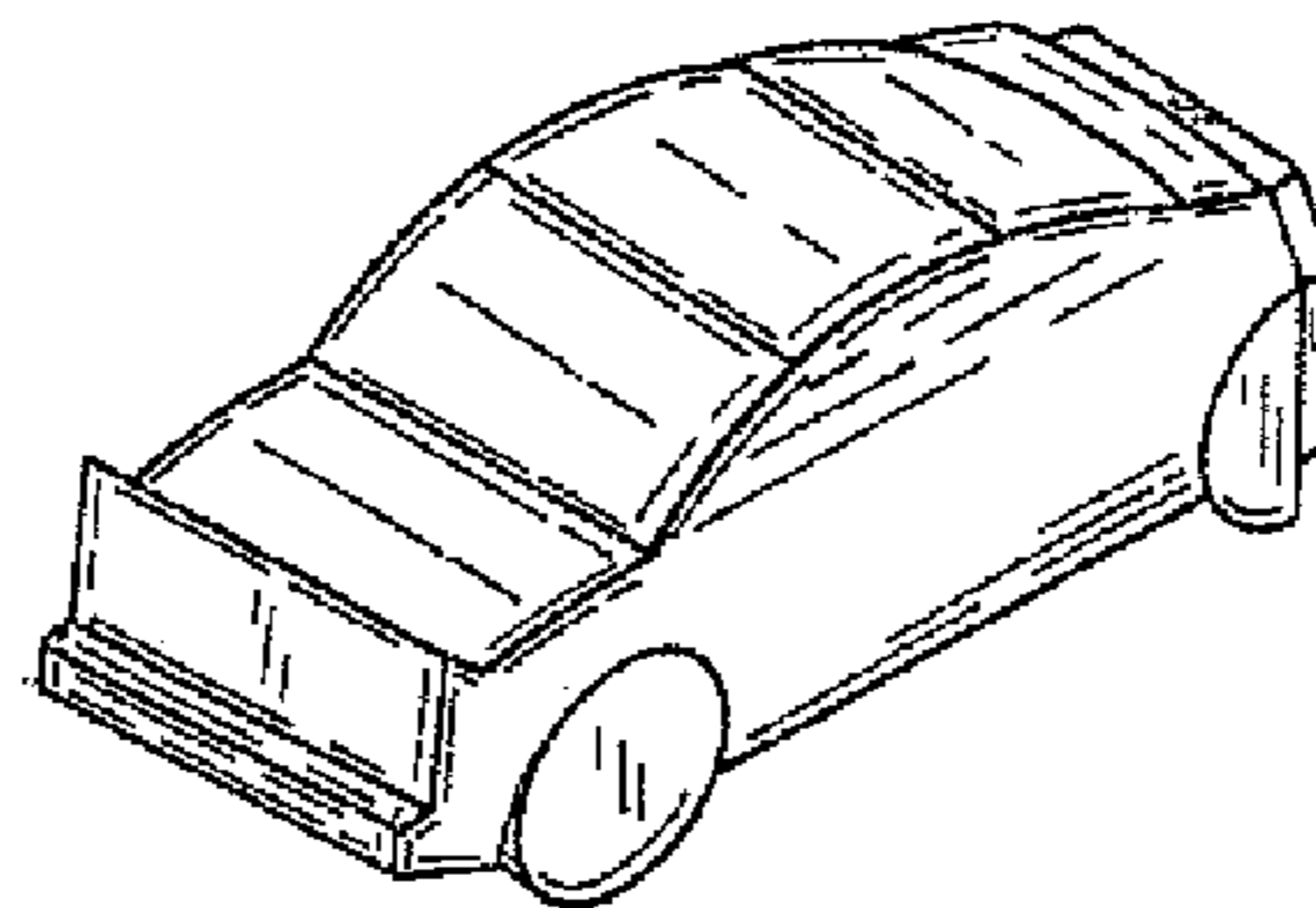


FIG. 24

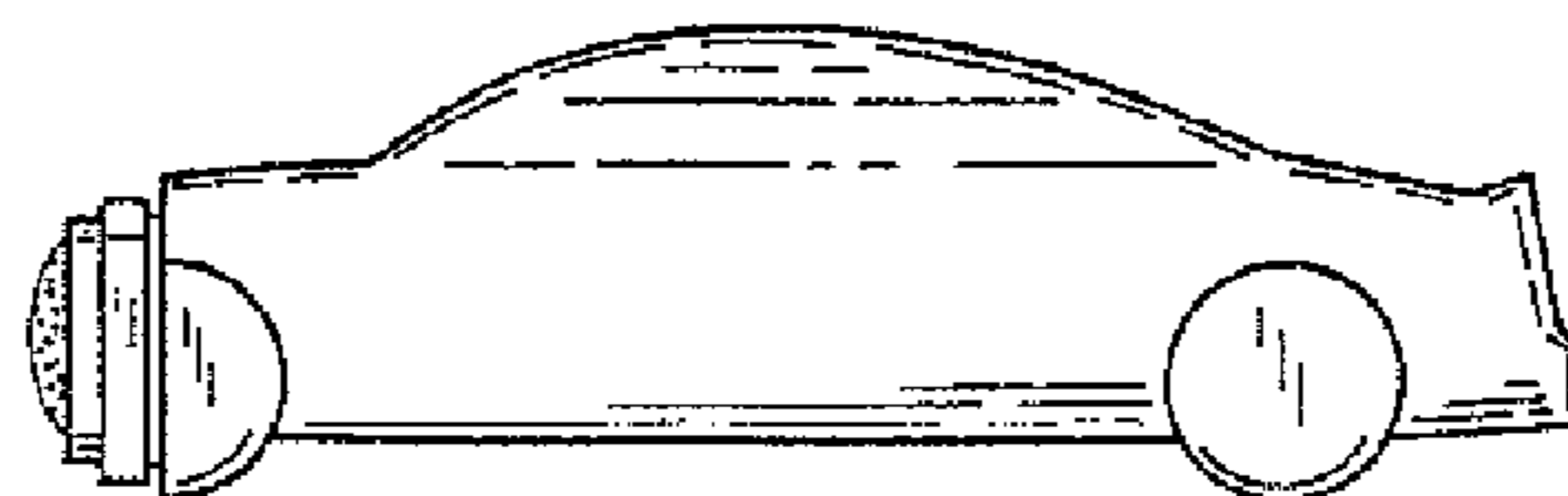


FIG. 21

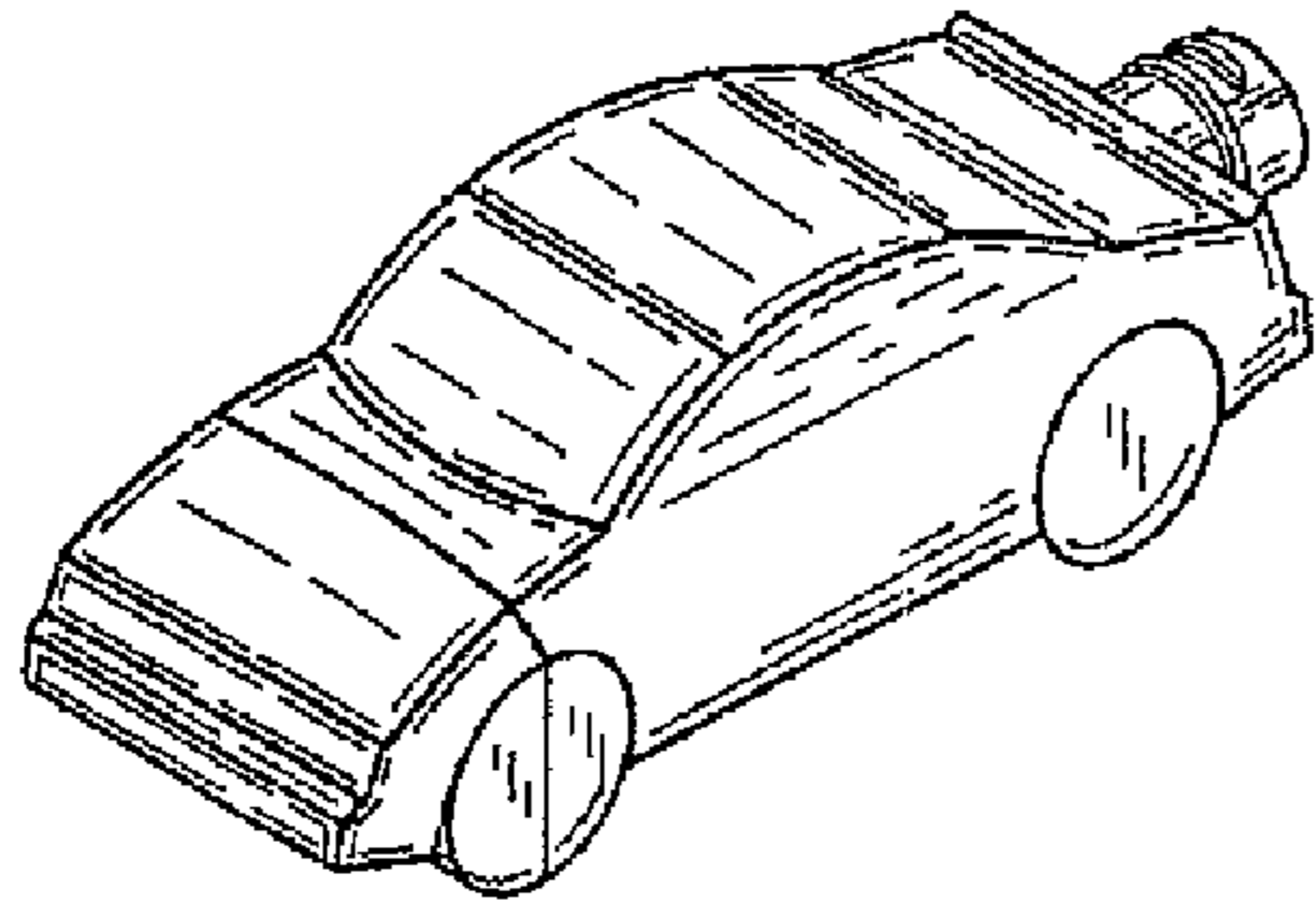


FIG. 25

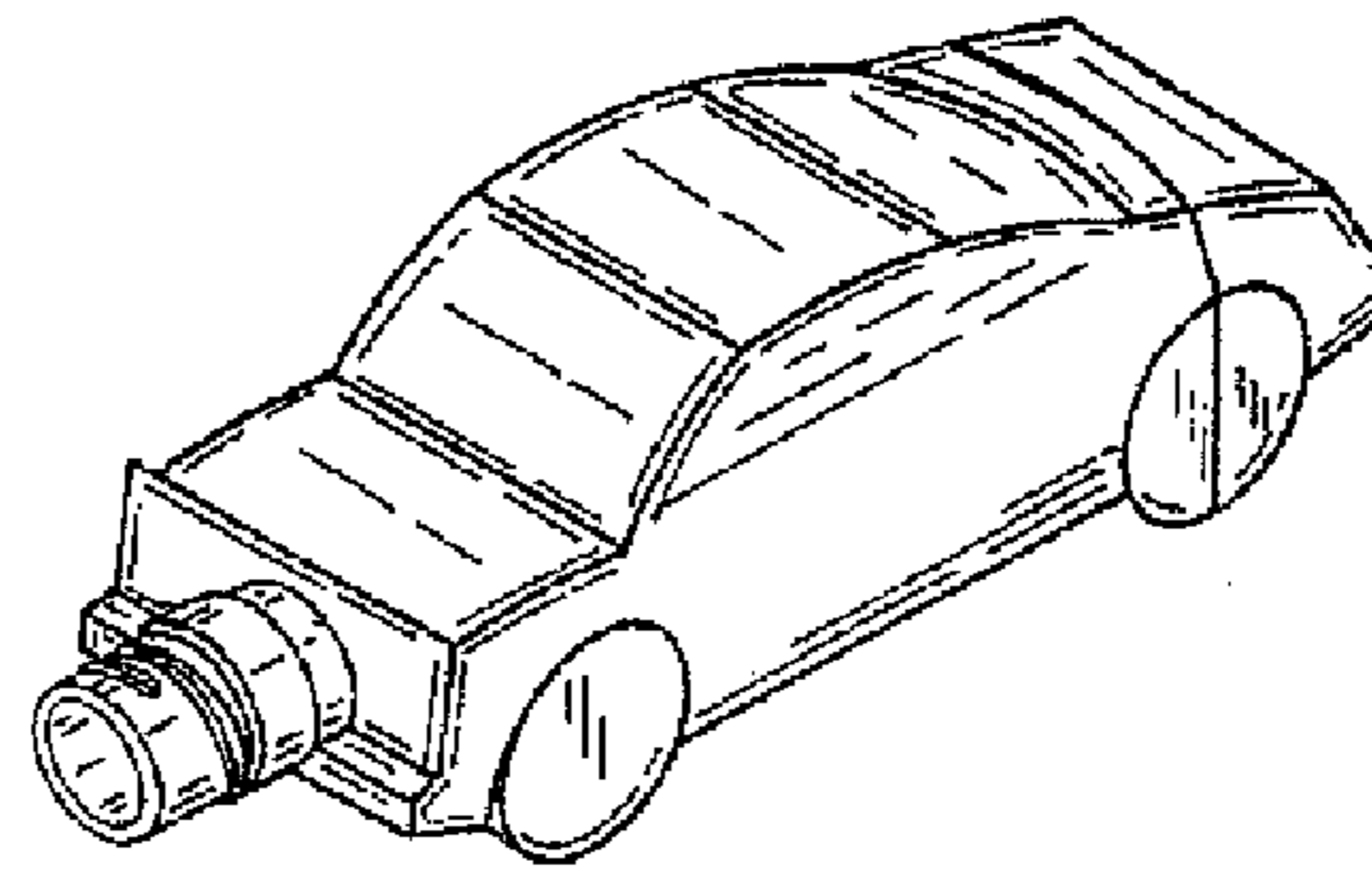


FIG. 29

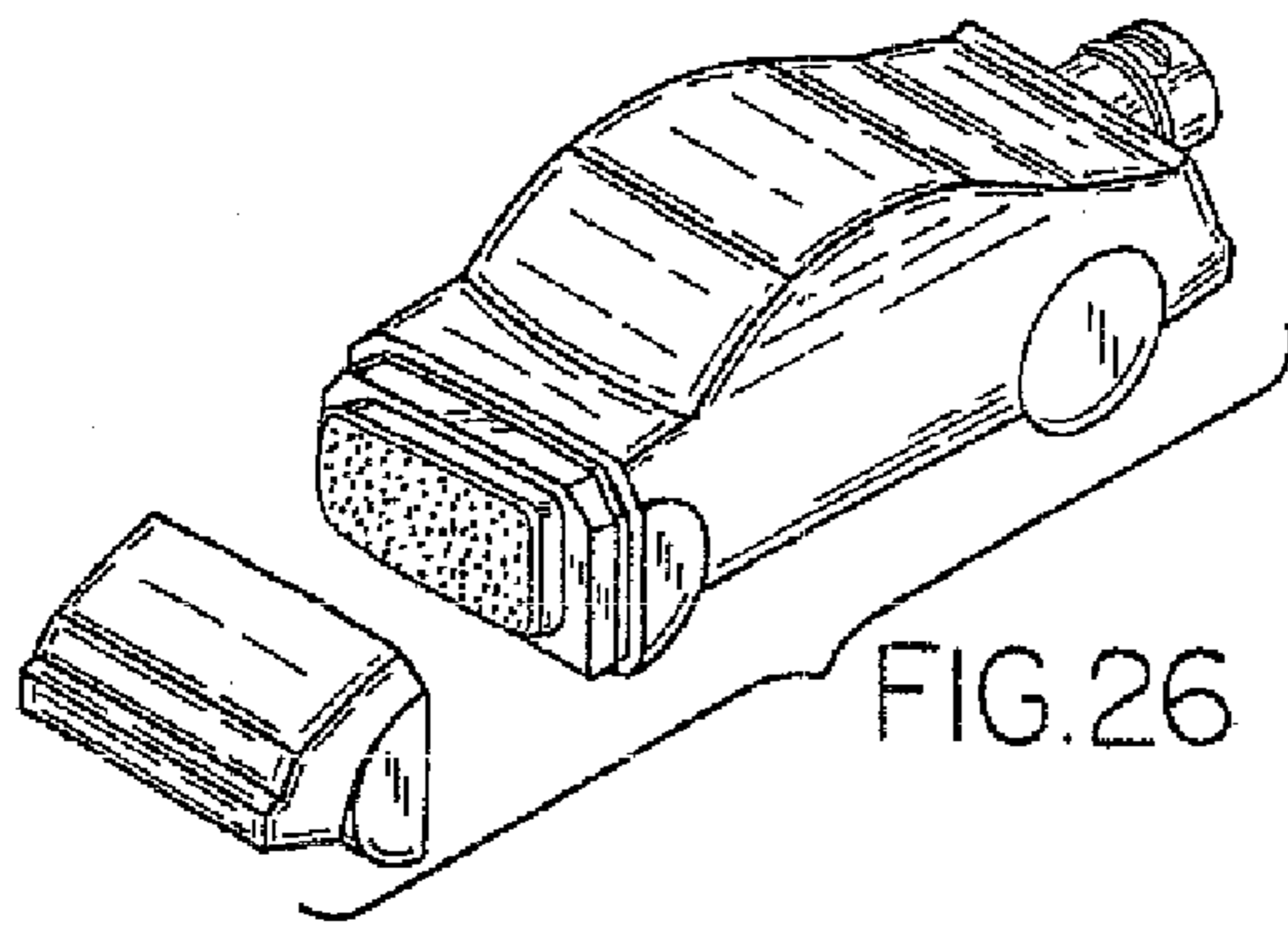


FIG. 26

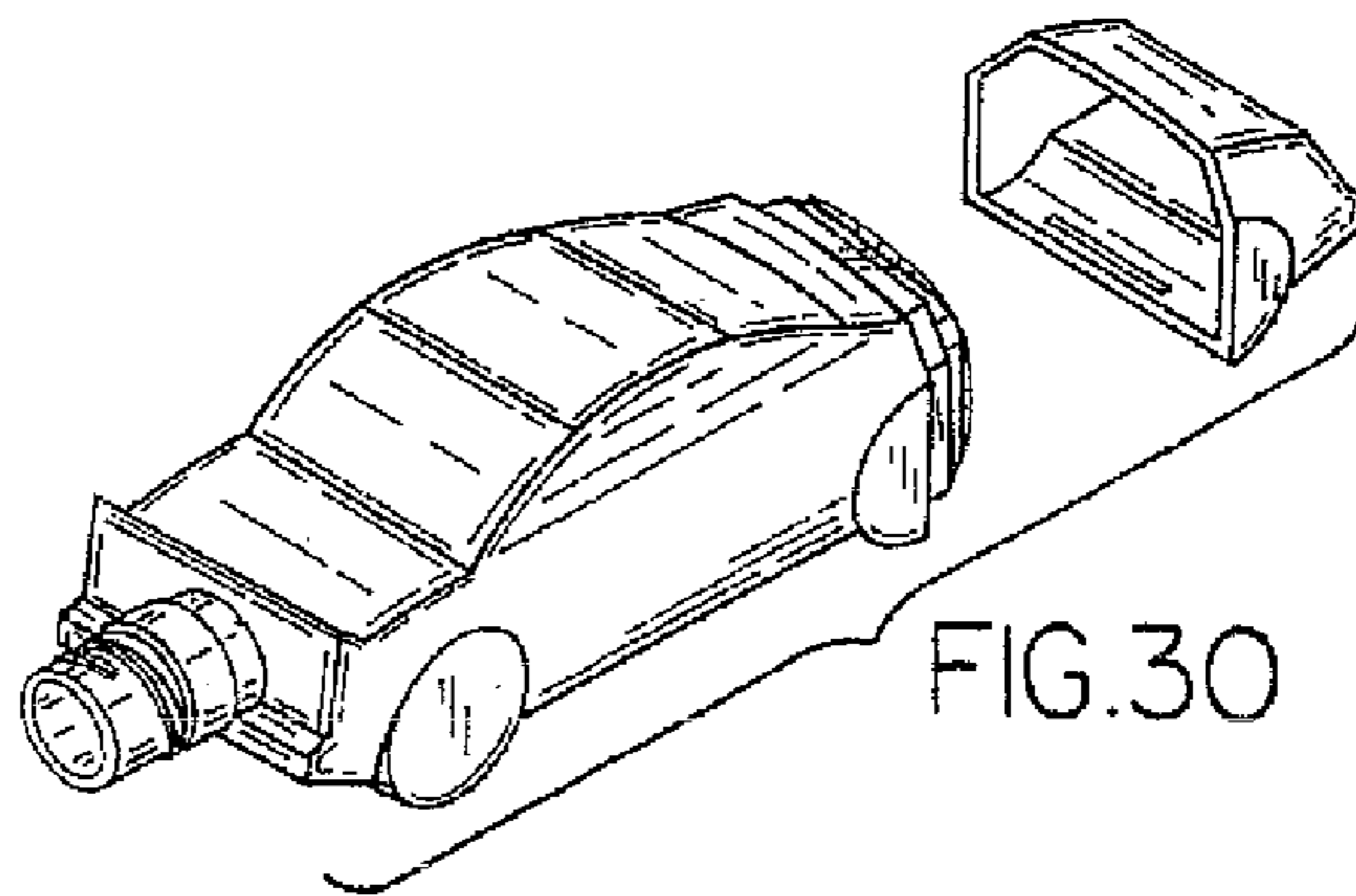


FIG. 30

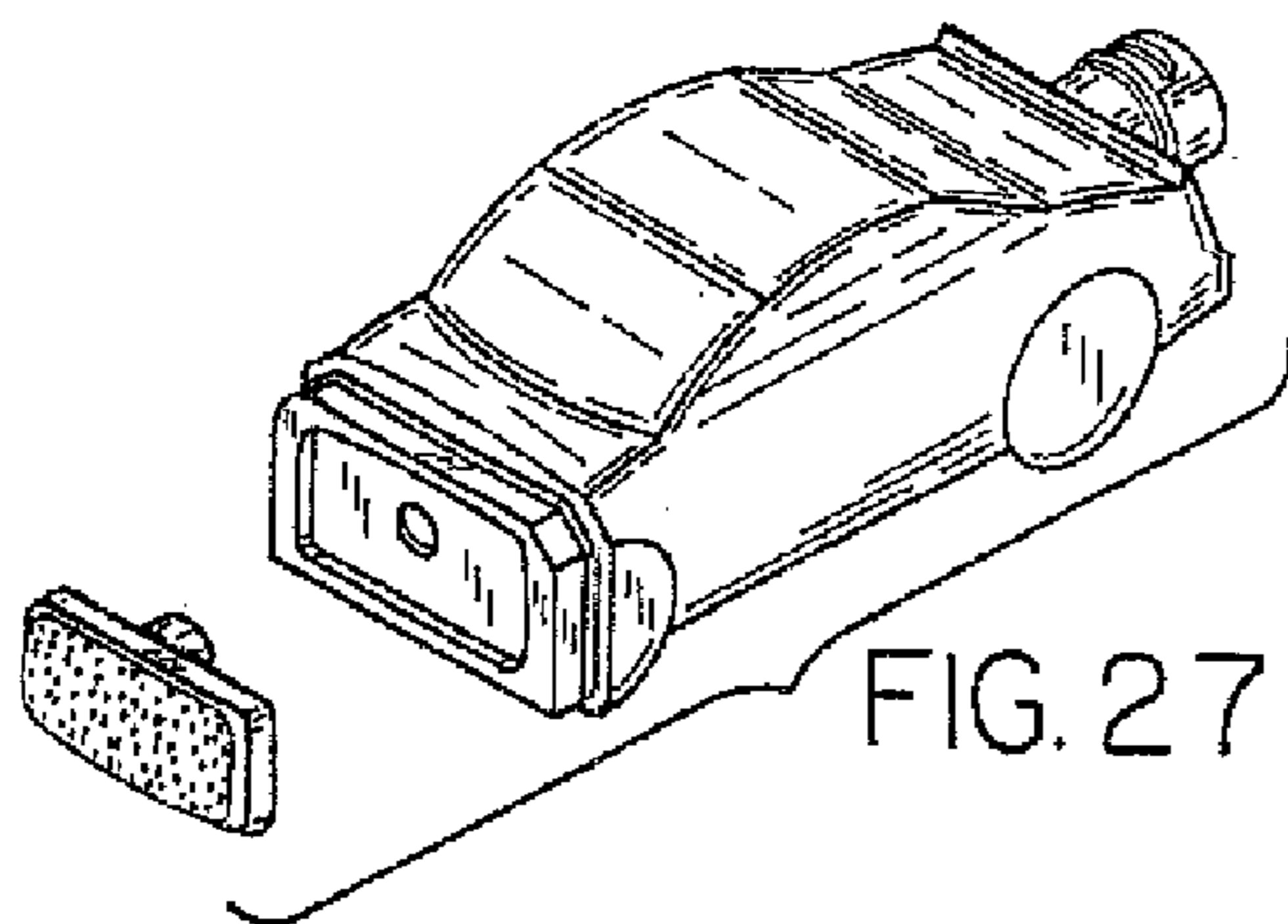


FIG. 27

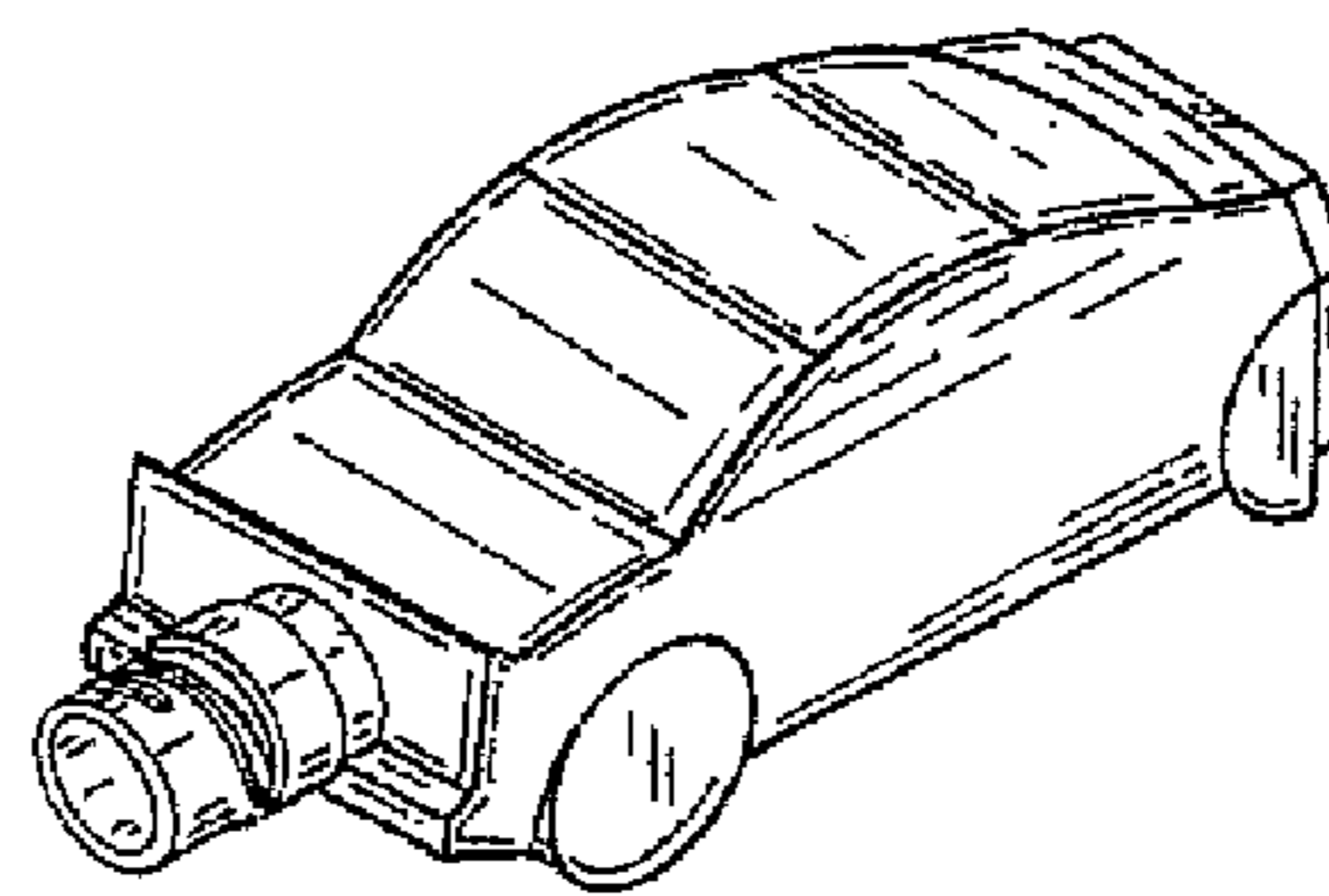


FIG. 31

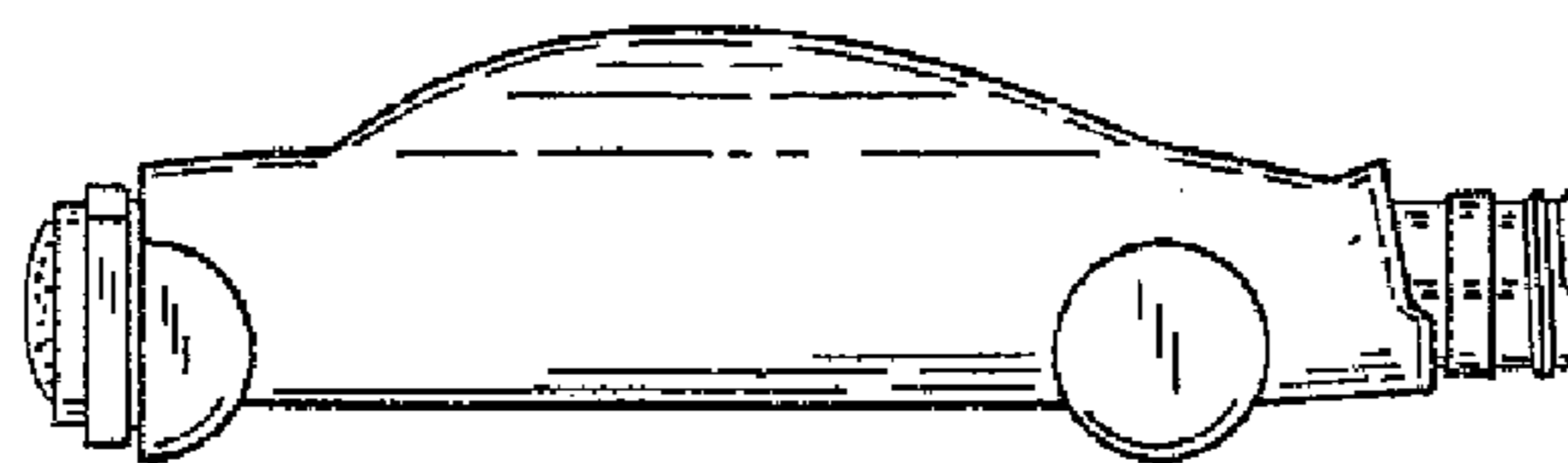


FIG. 28

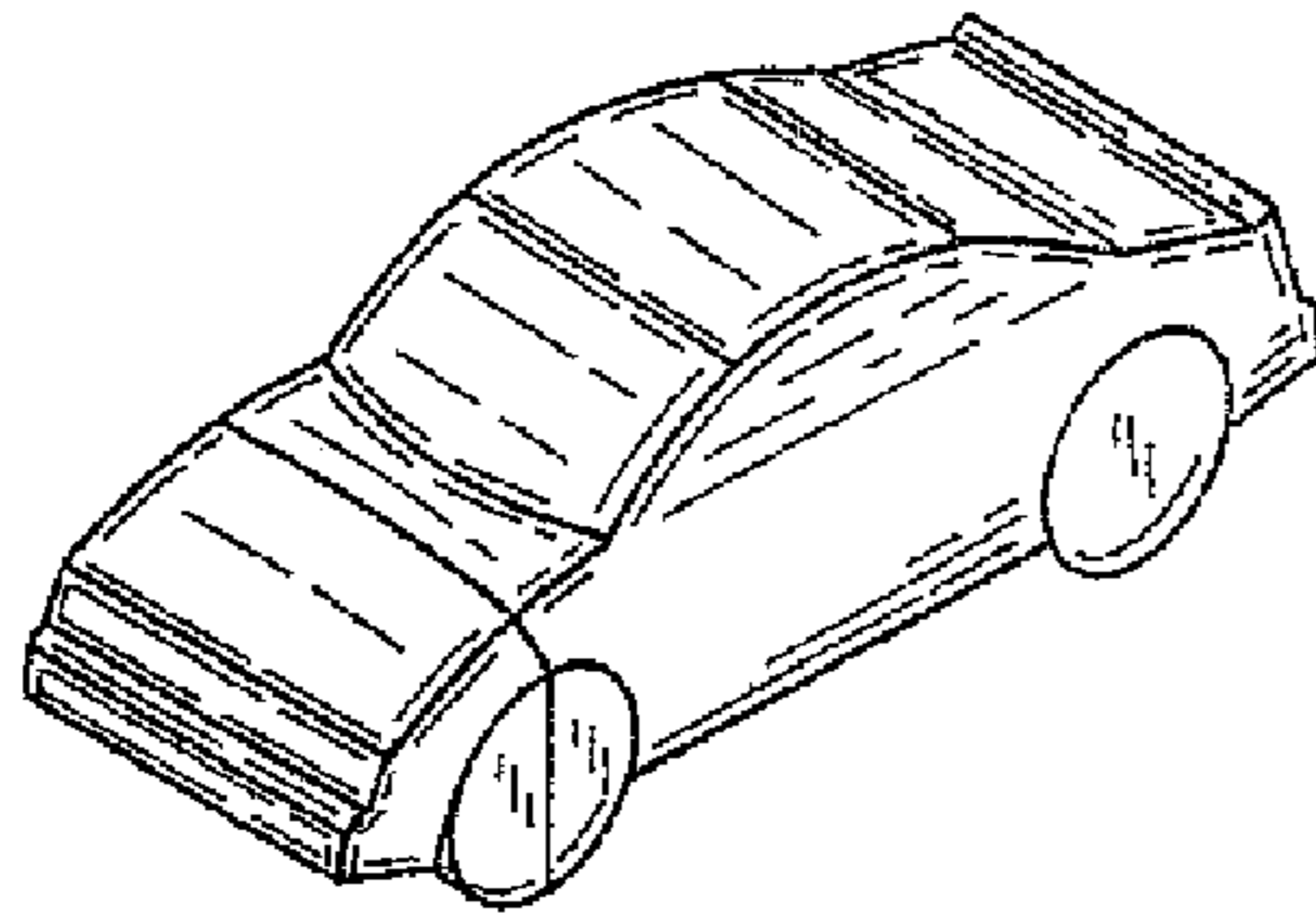


FIG. 32

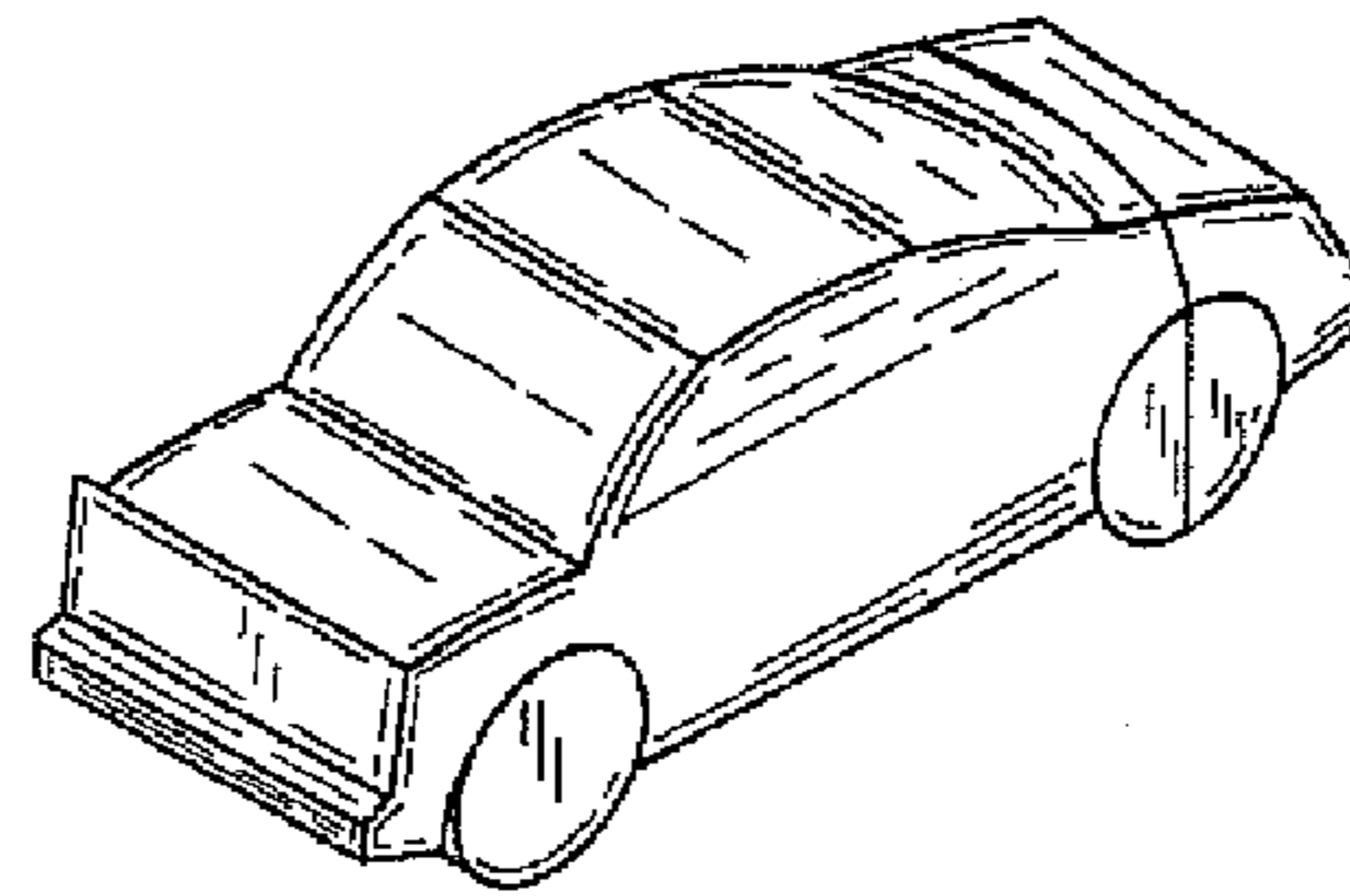


FIG. 36

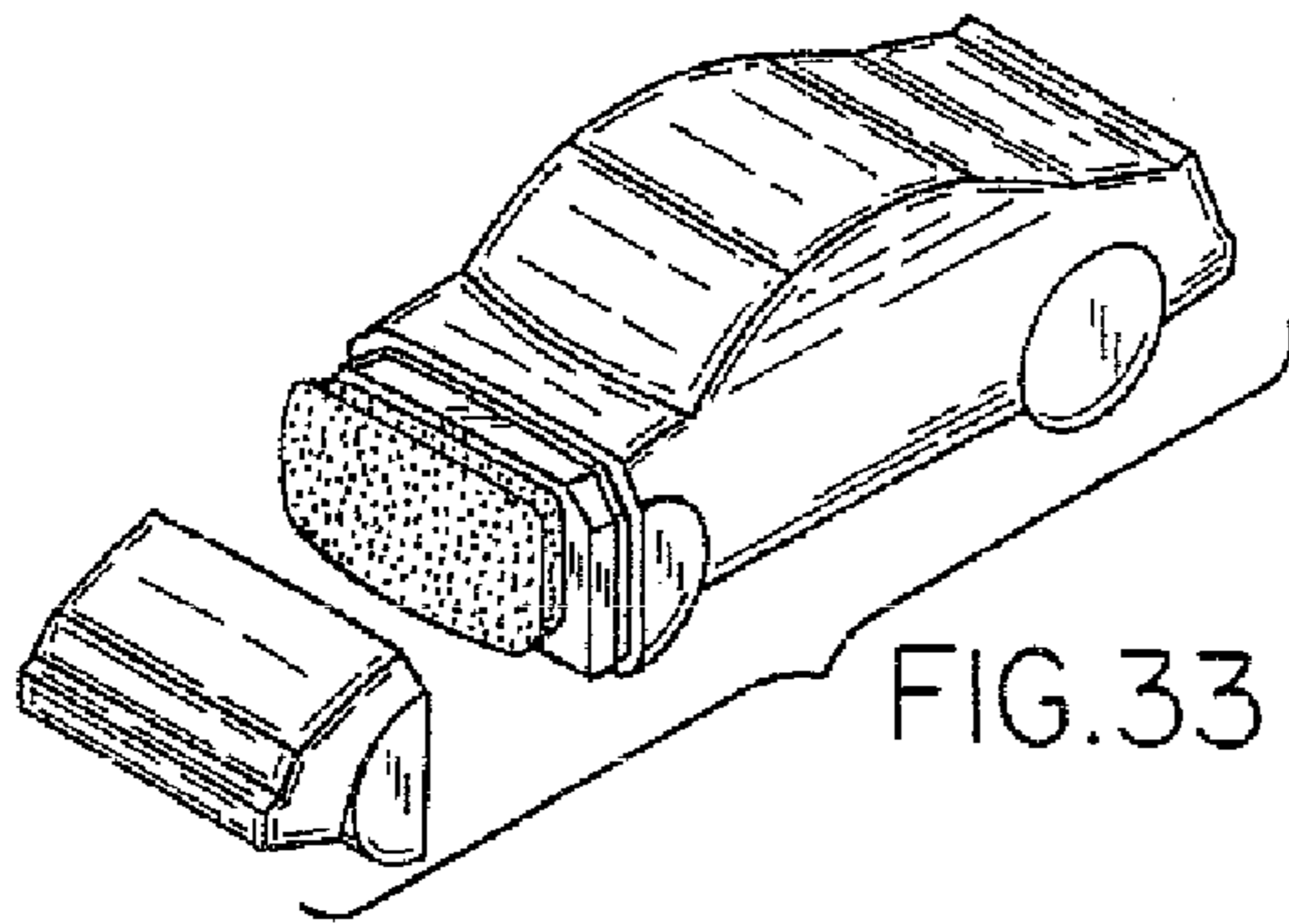


FIG. 33

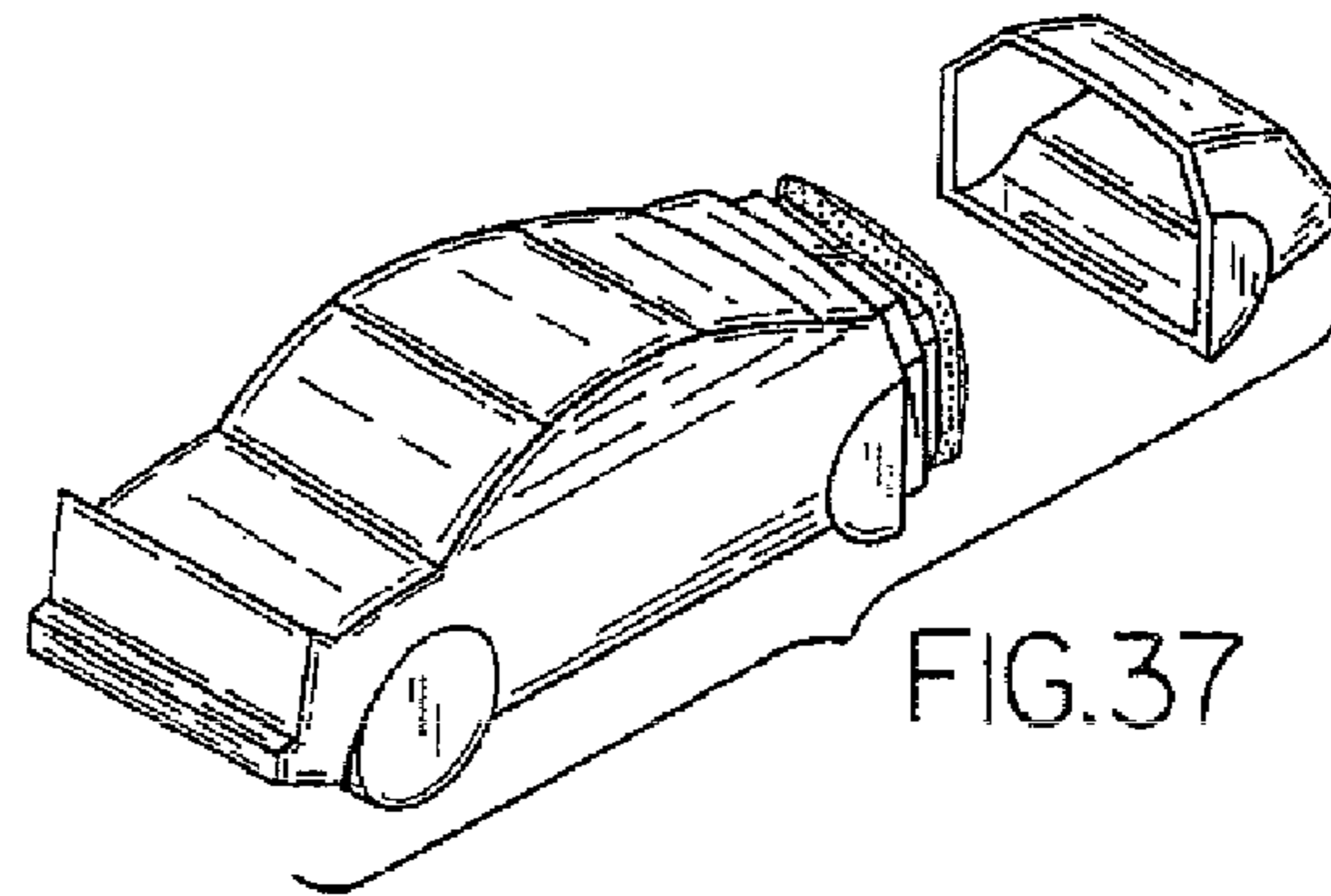


FIG. 37

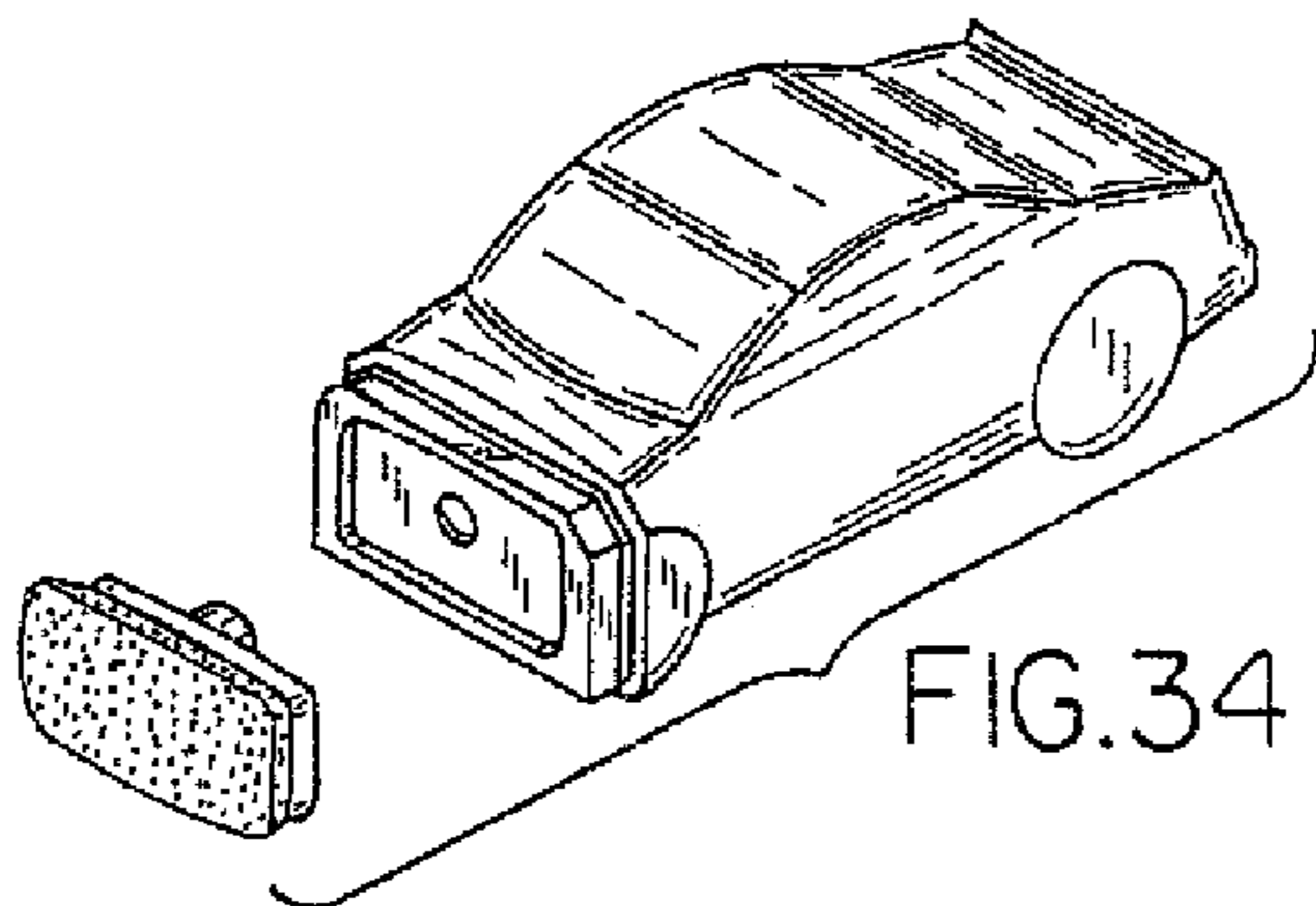


FIG. 34

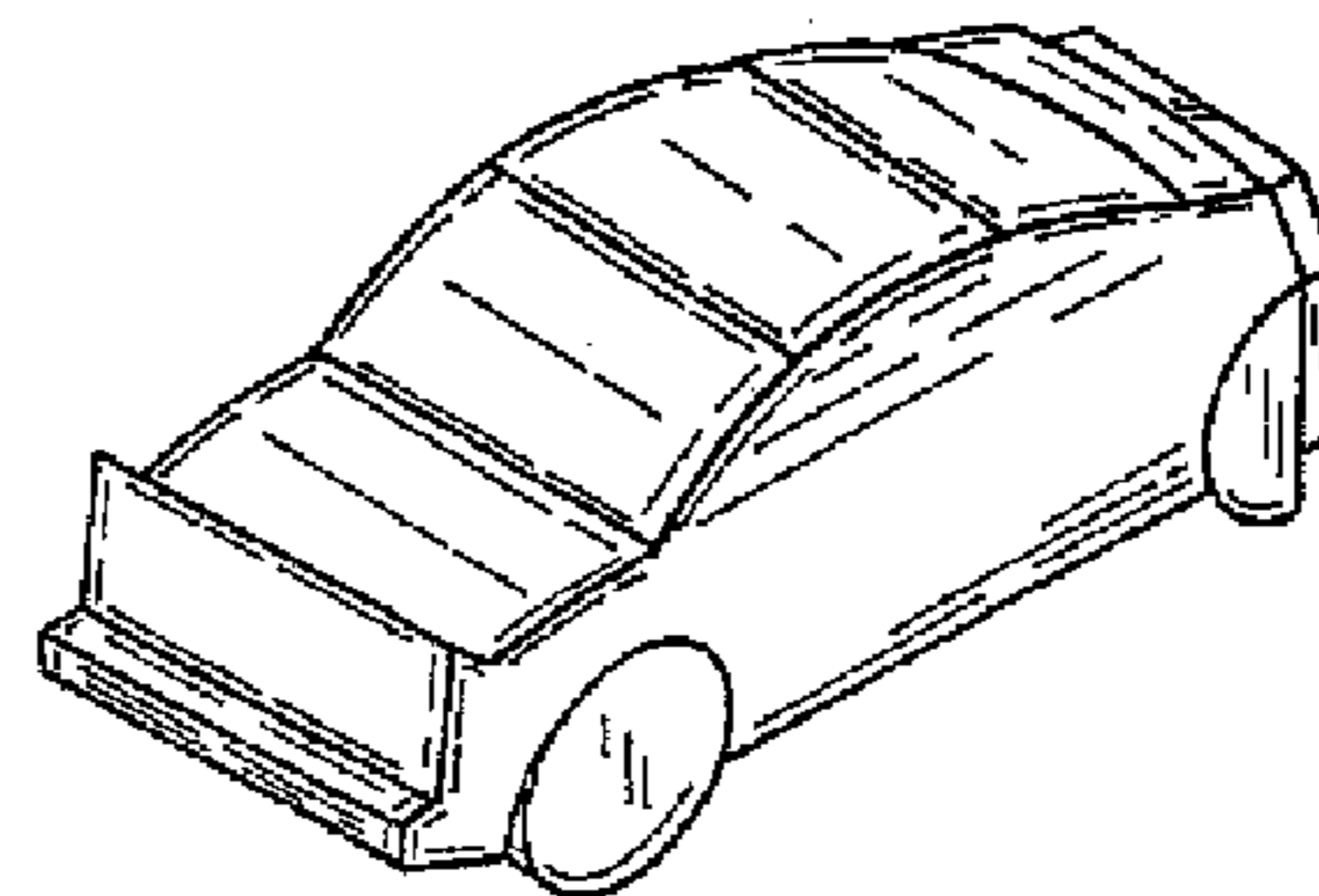


FIG. 38

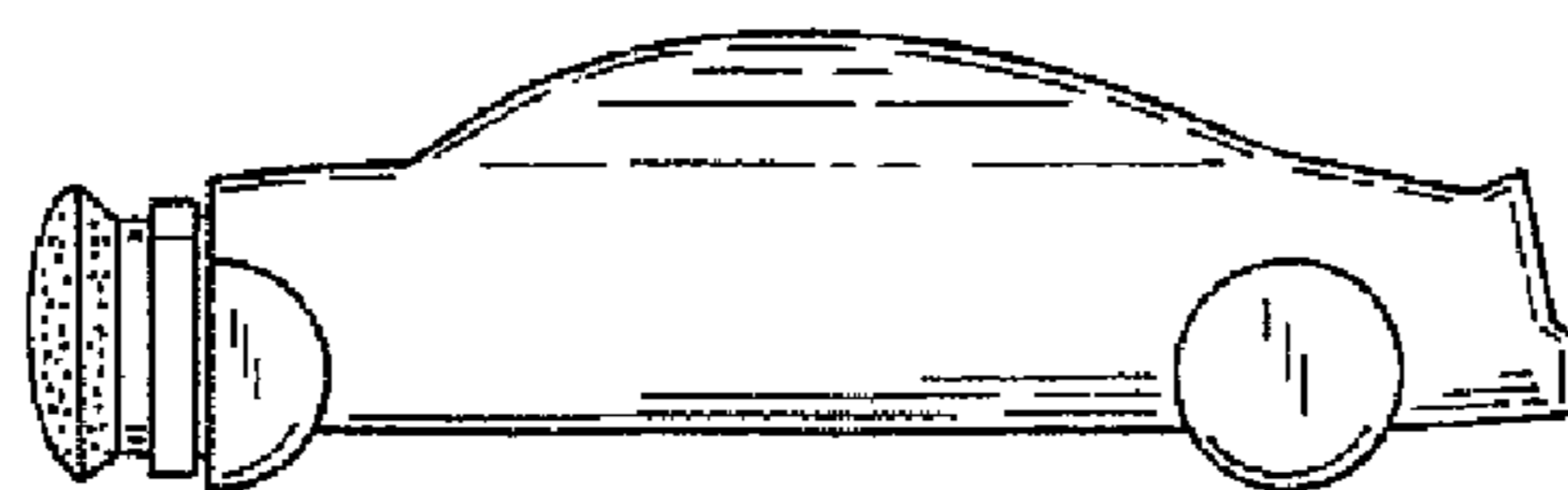


FIG. 35

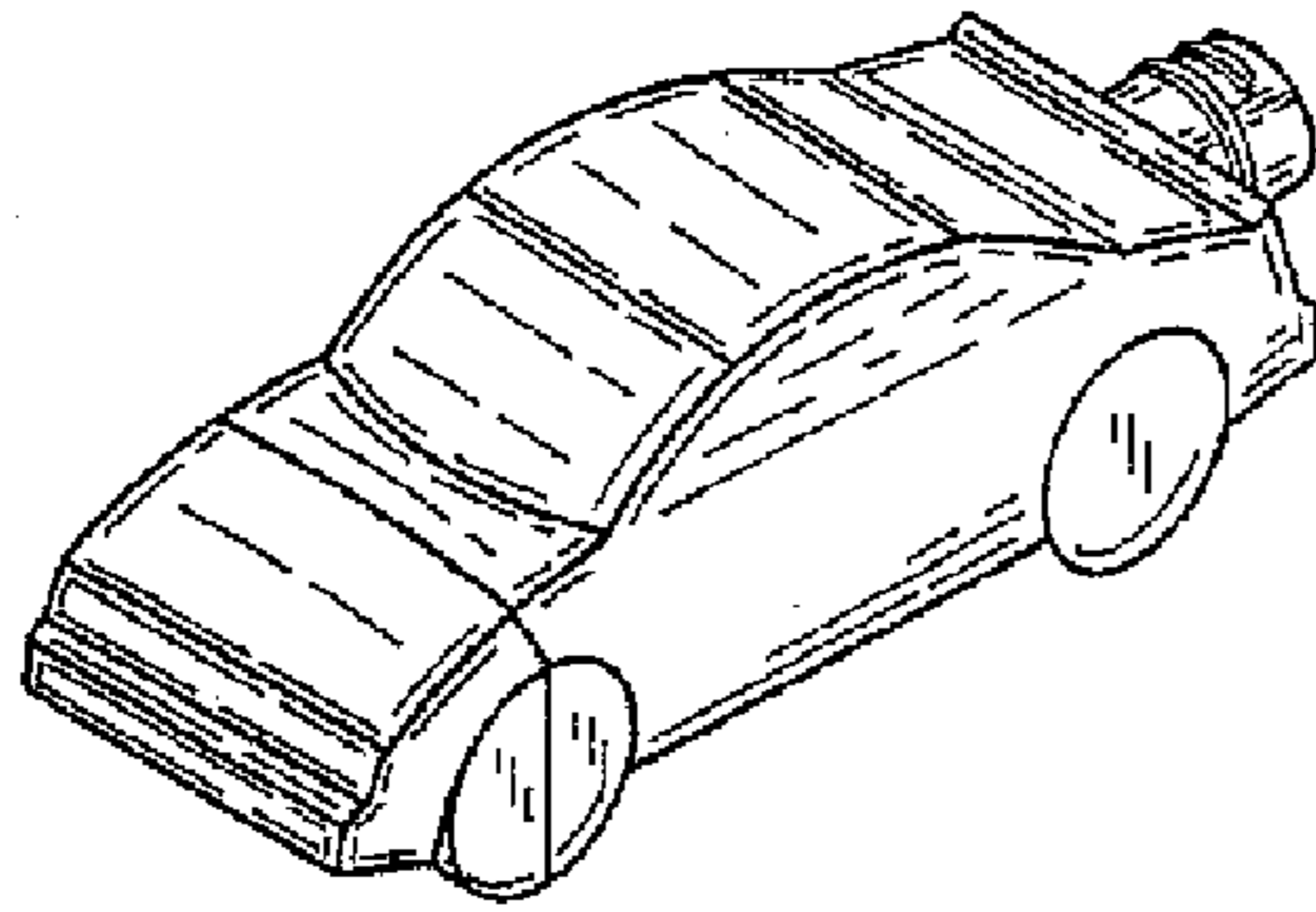


FIG. 39

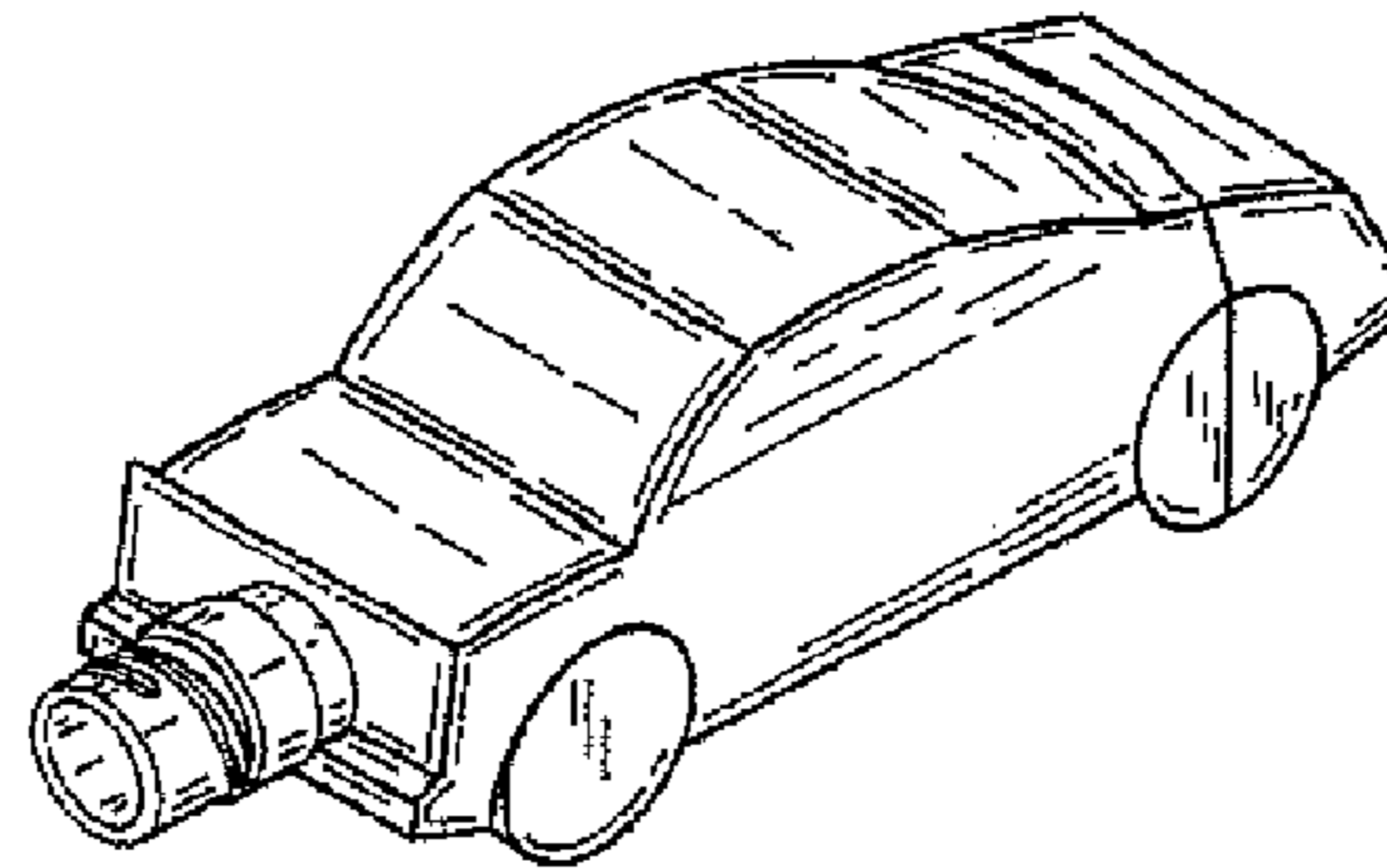


FIG. 43

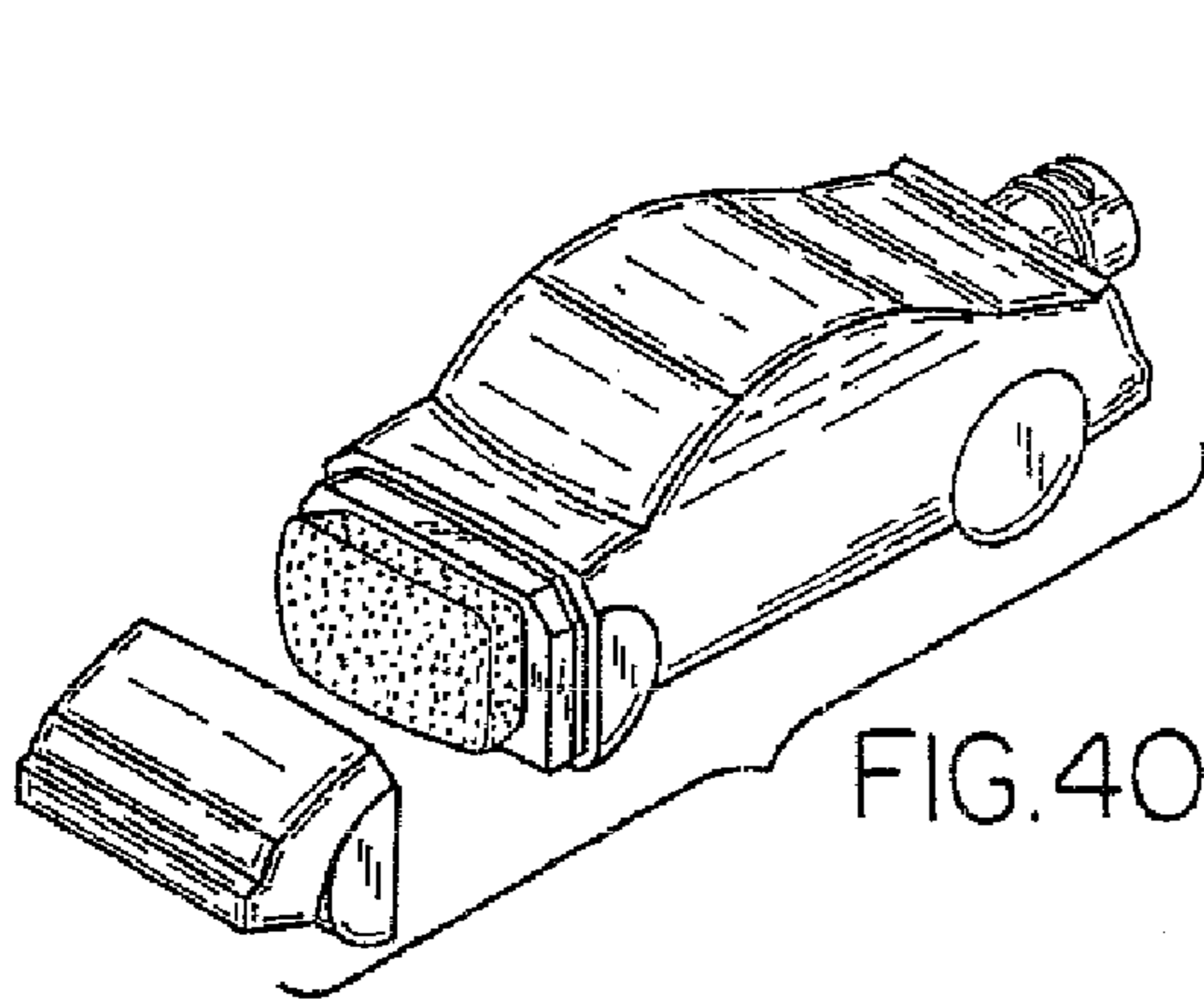


FIG. 40

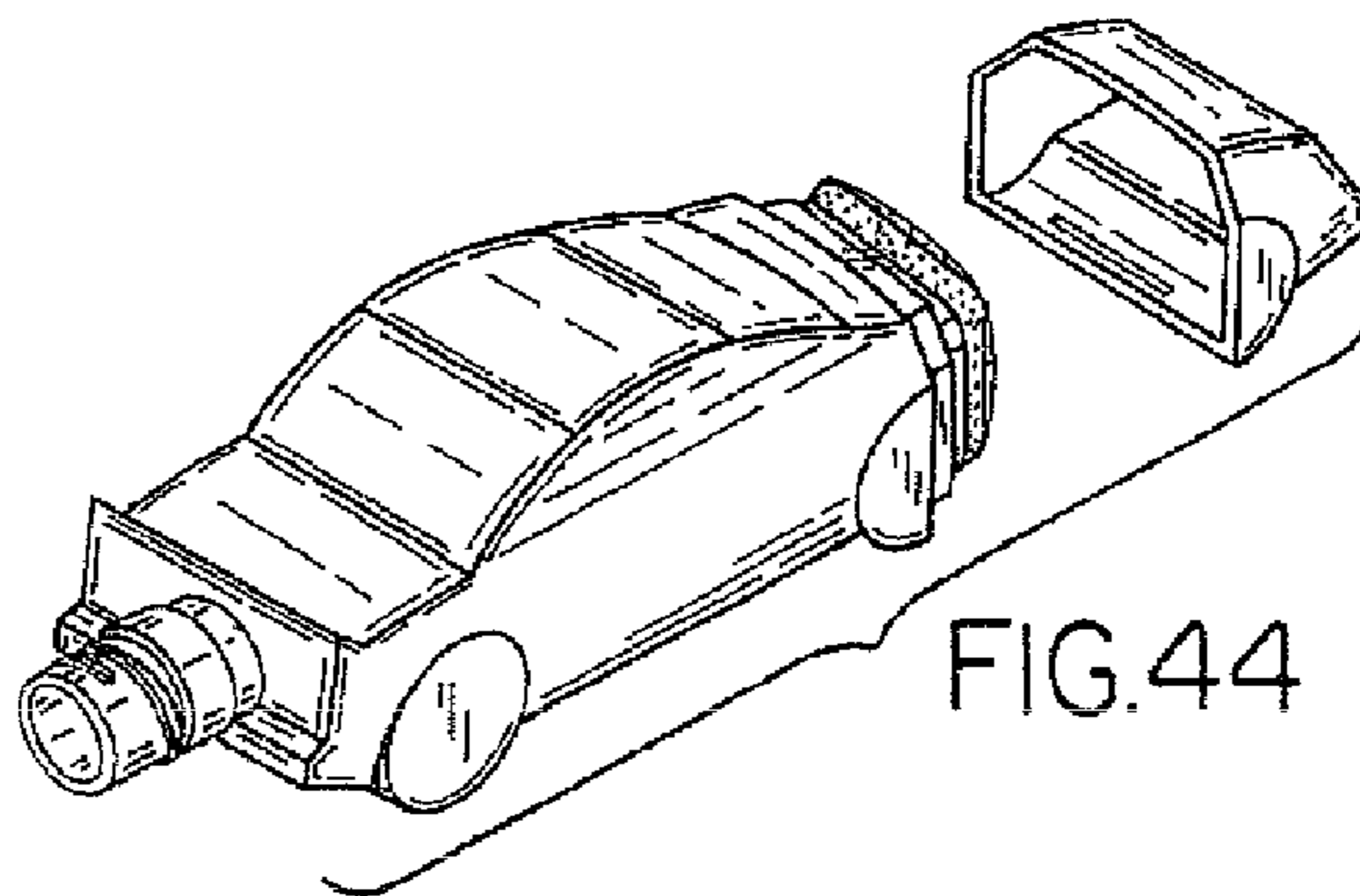


FIG. 44

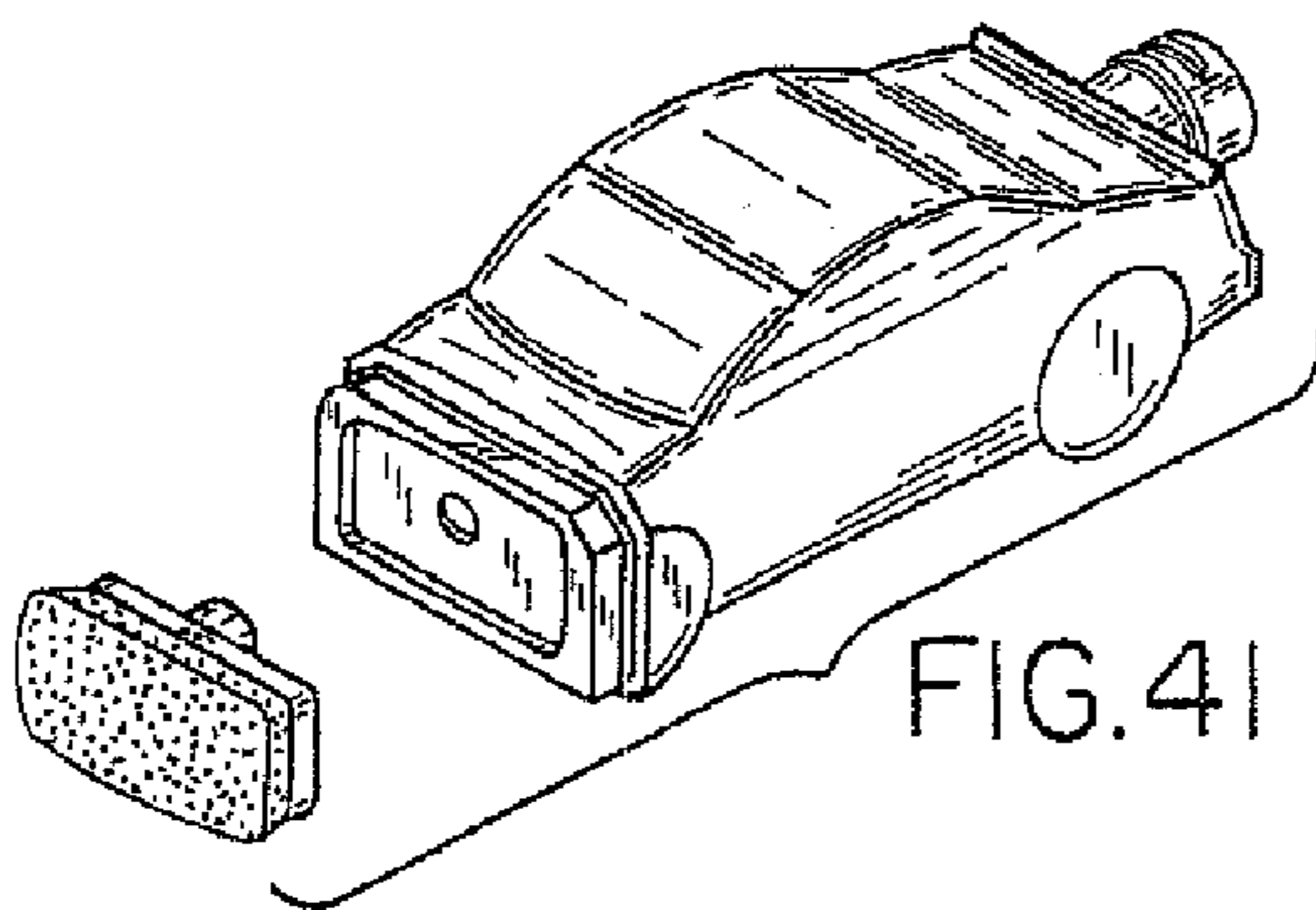


FIG. 41

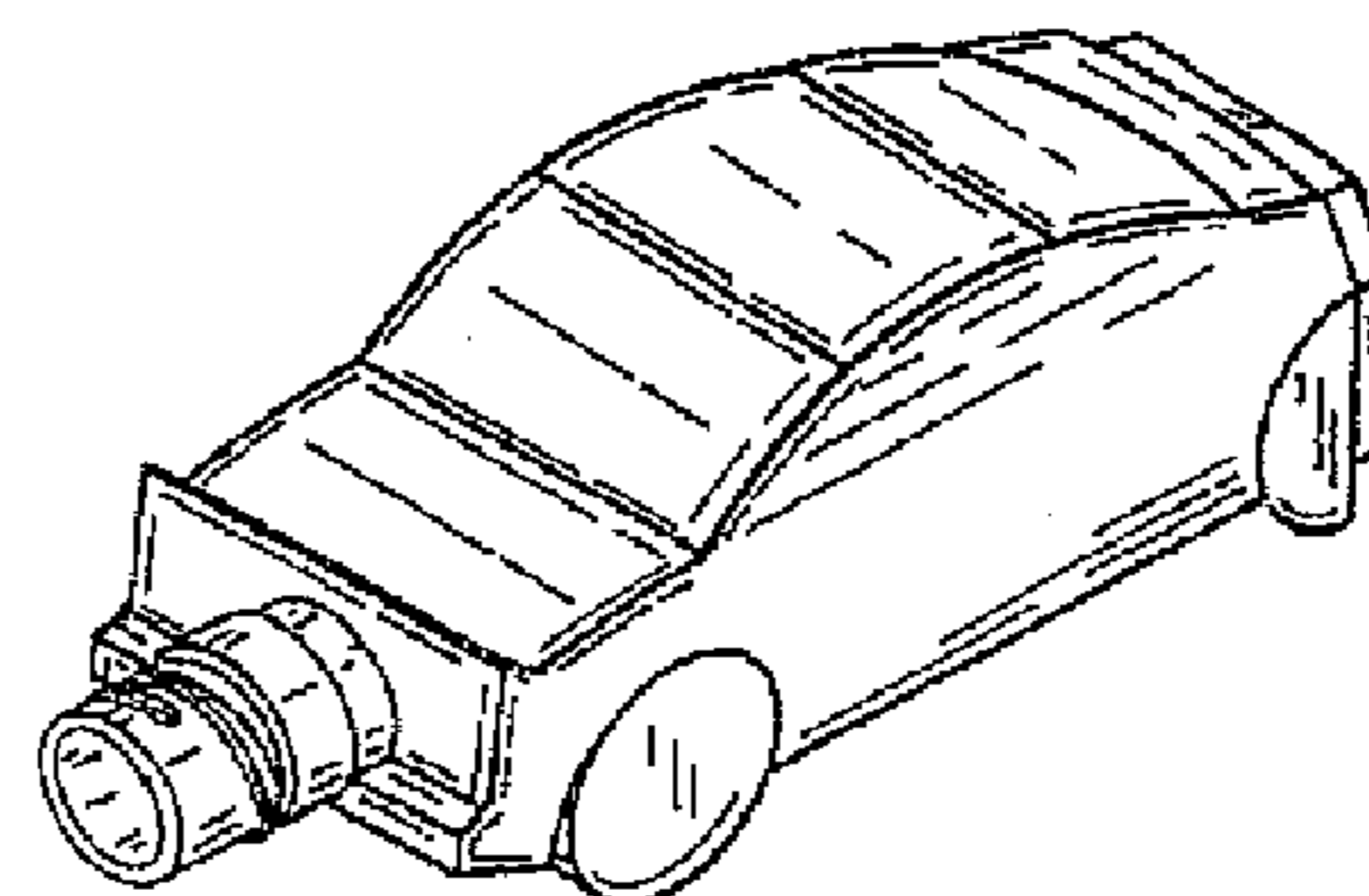


FIG. 45

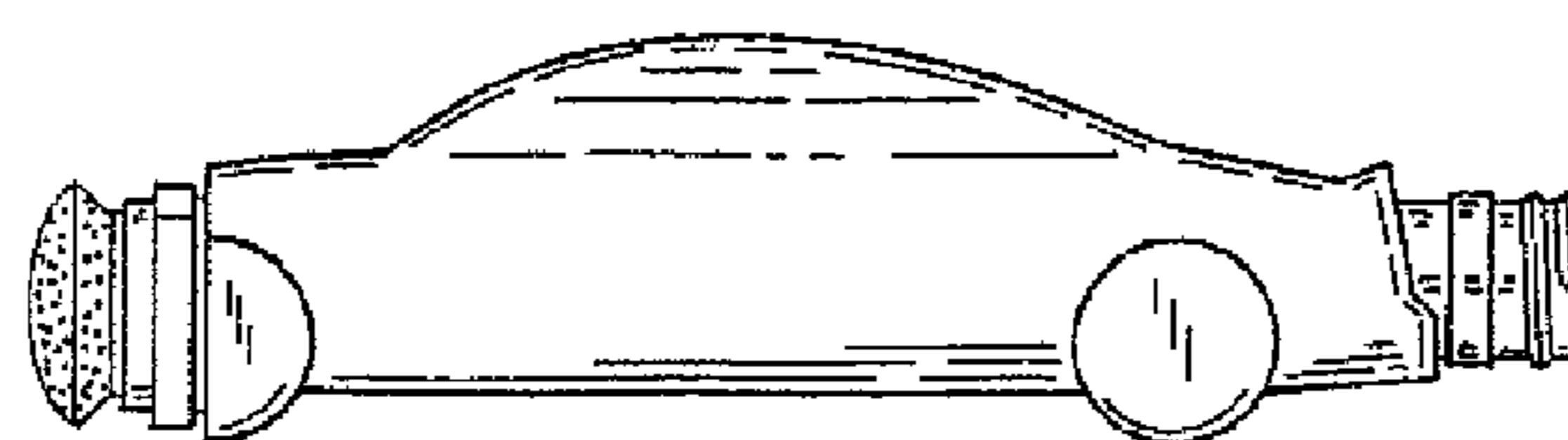


FIG. 42

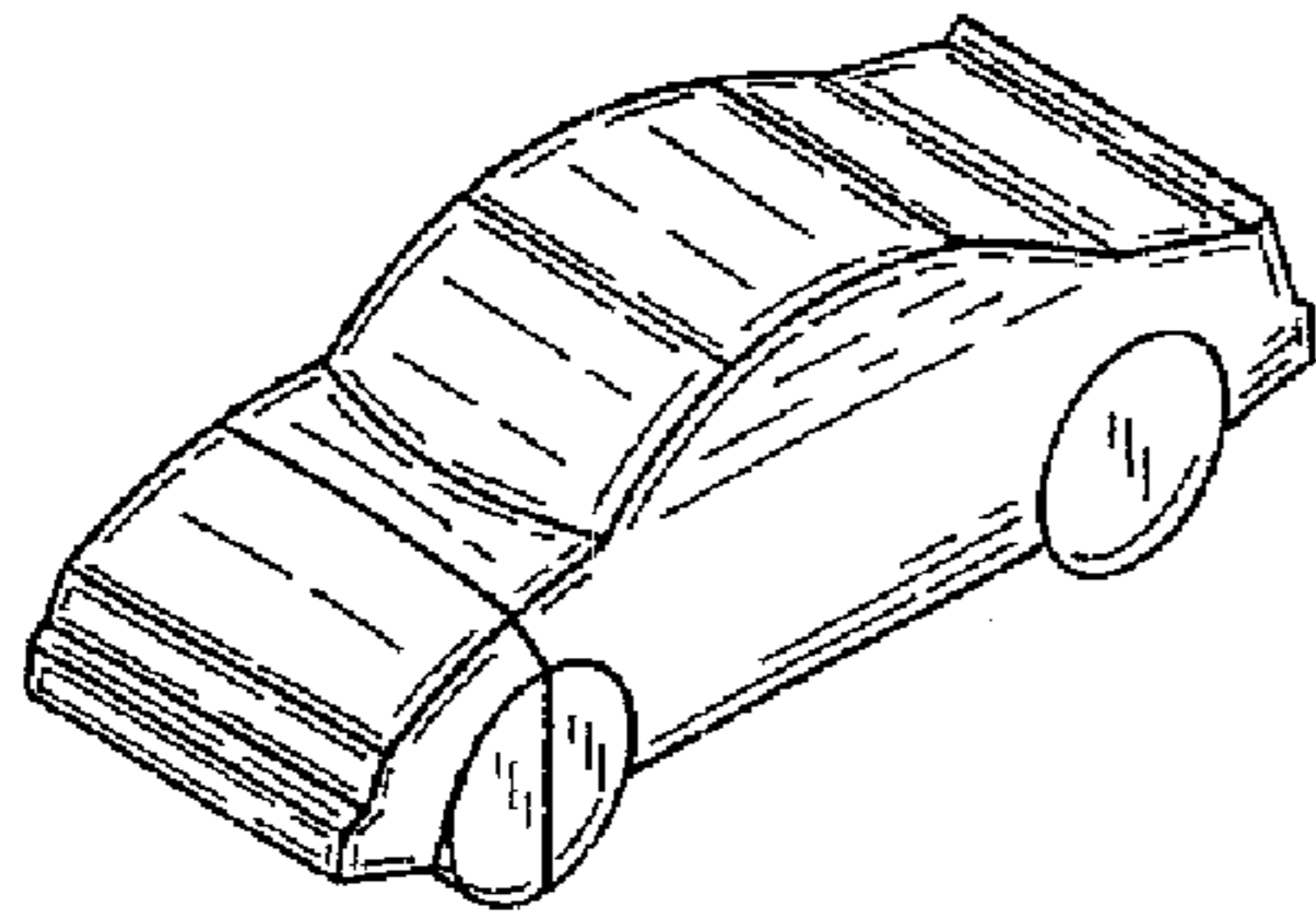


FIG. 46

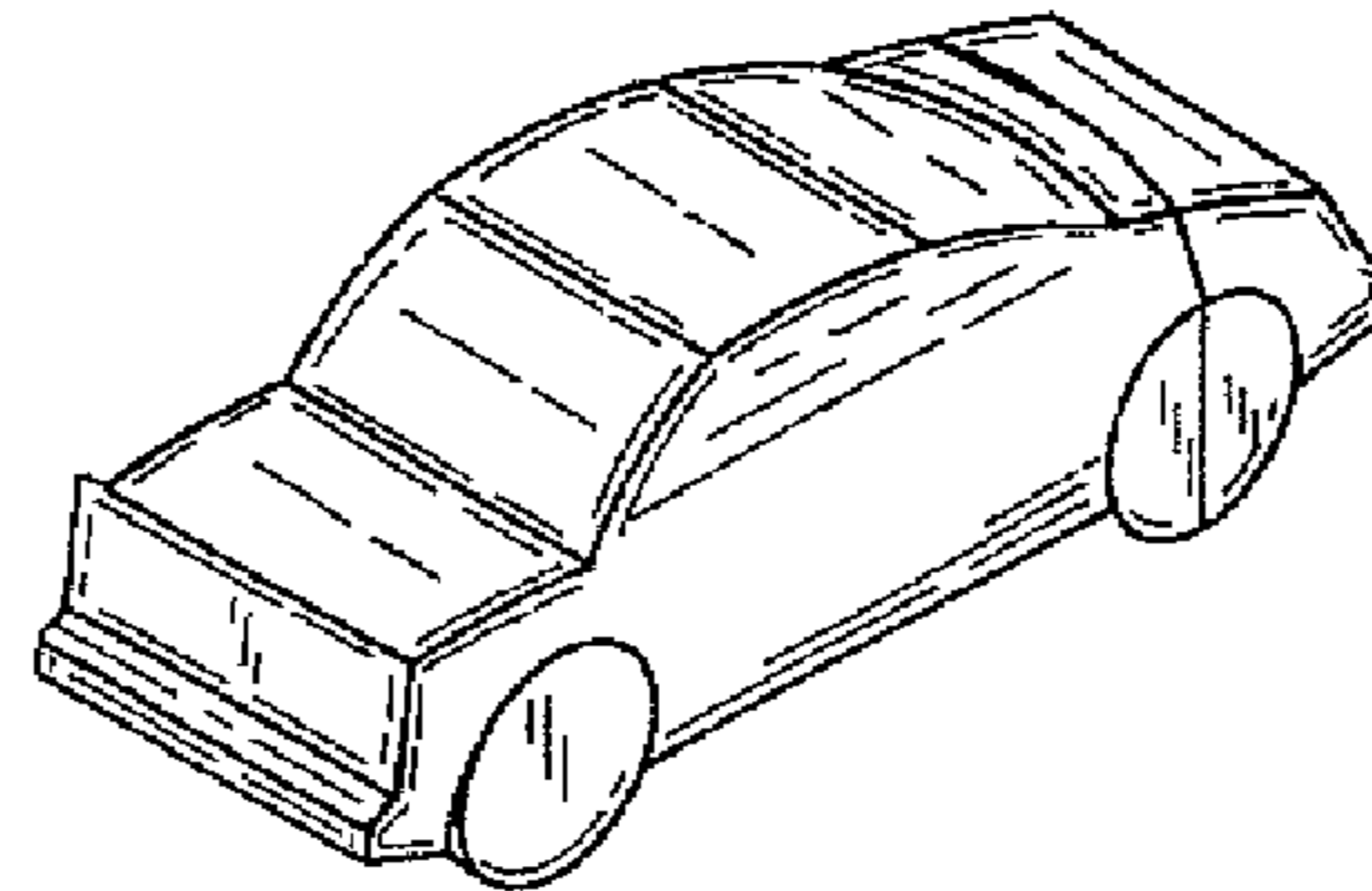


FIG. 50

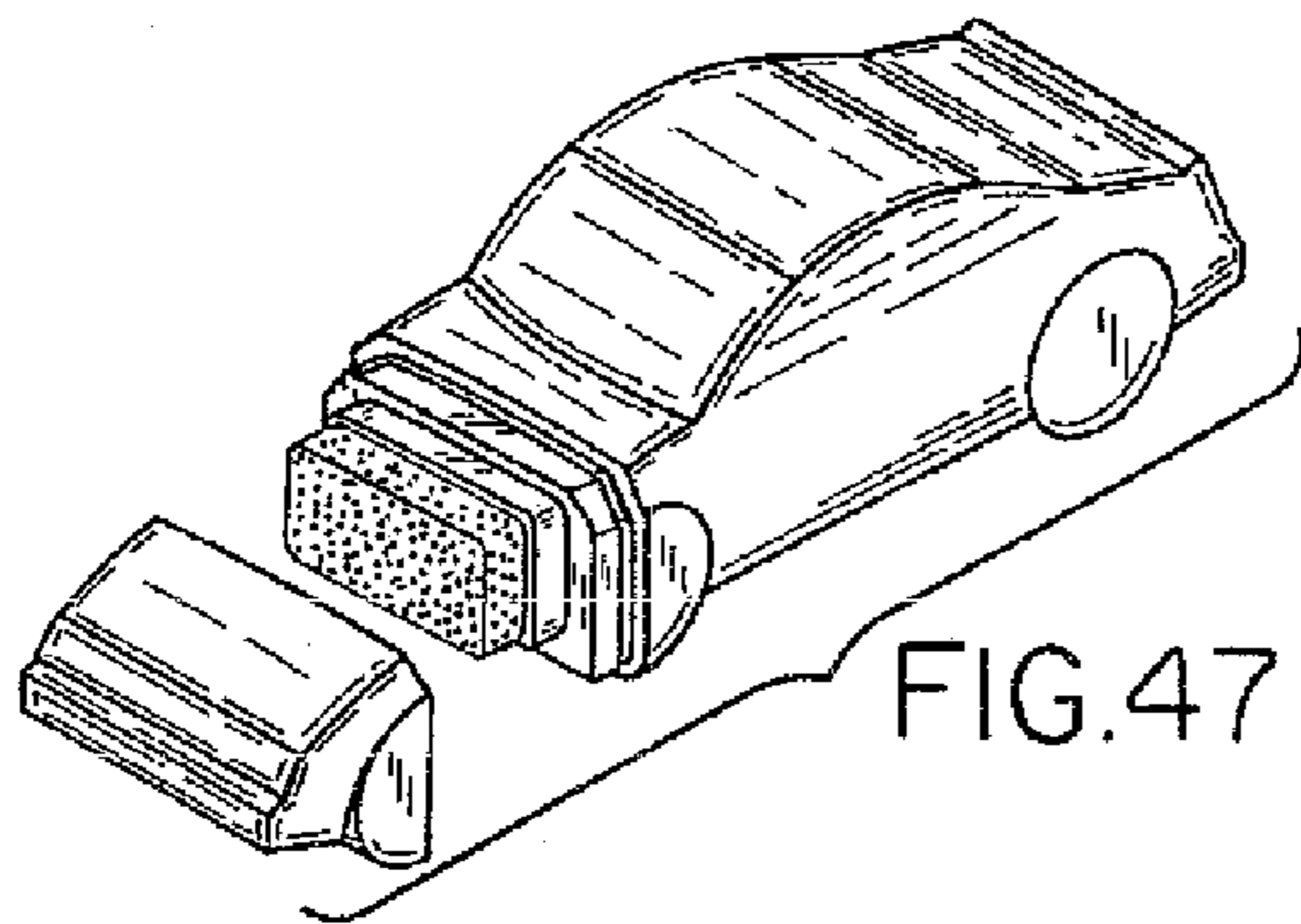


FIG. 47

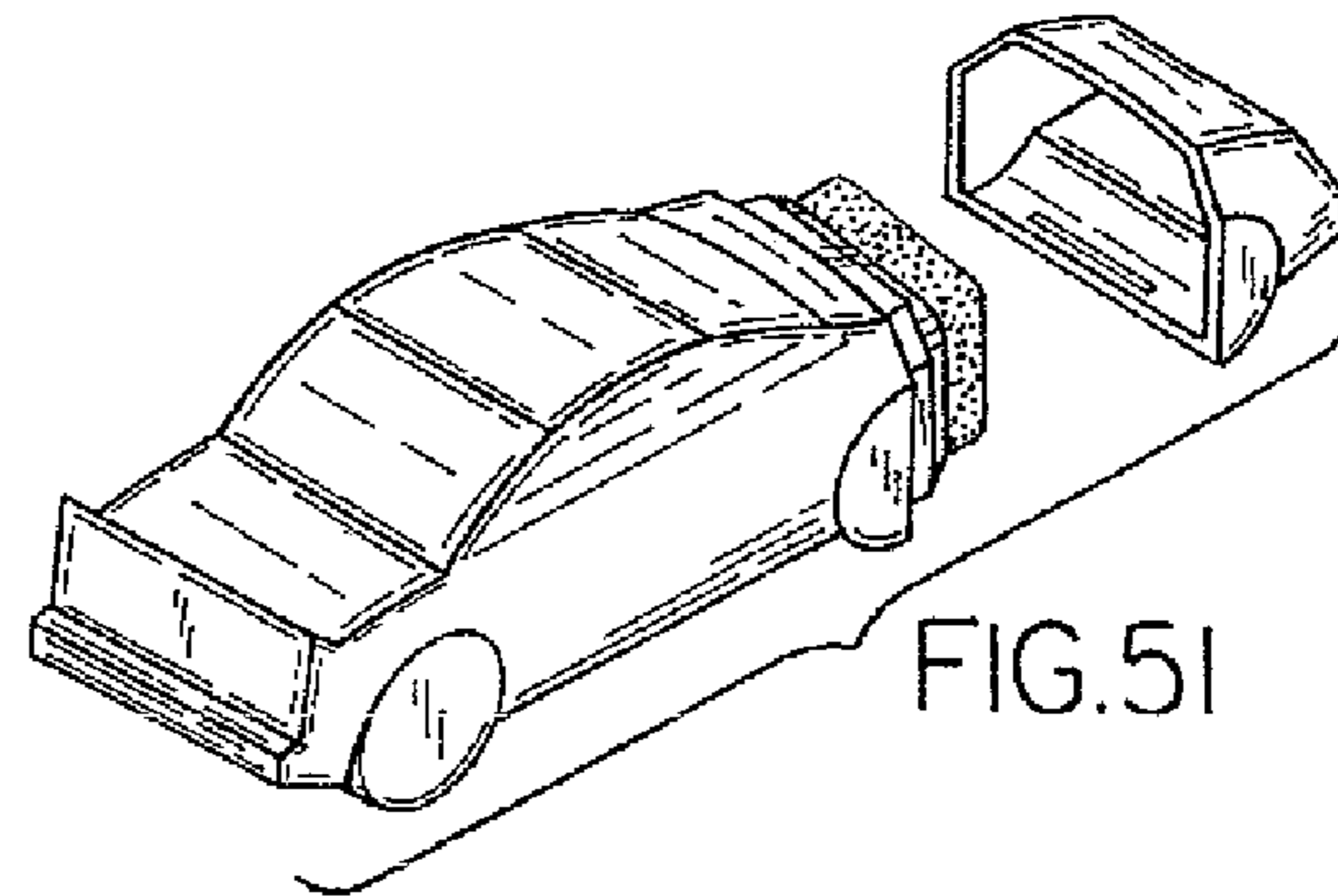


FIG. 51

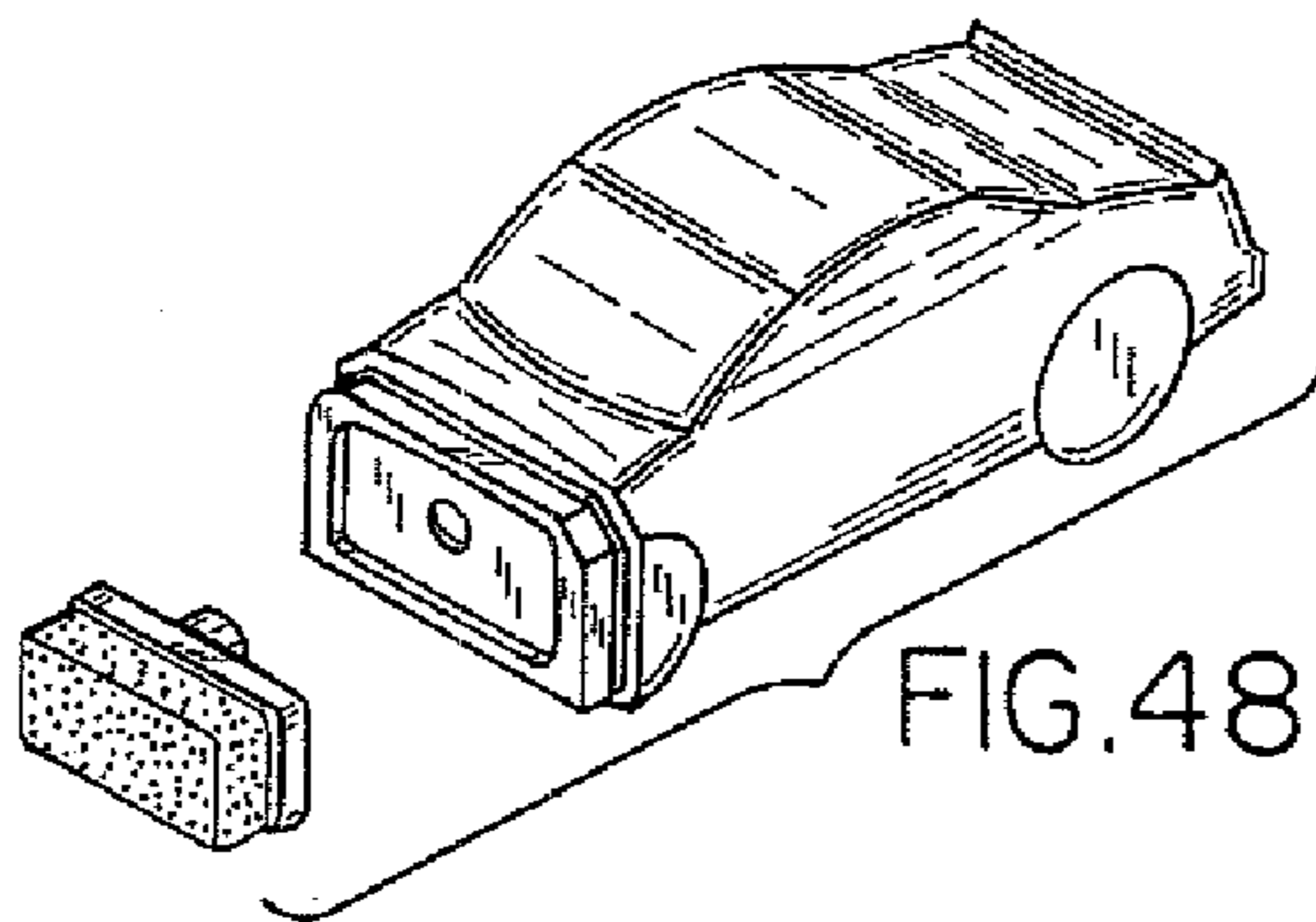


FIG. 48

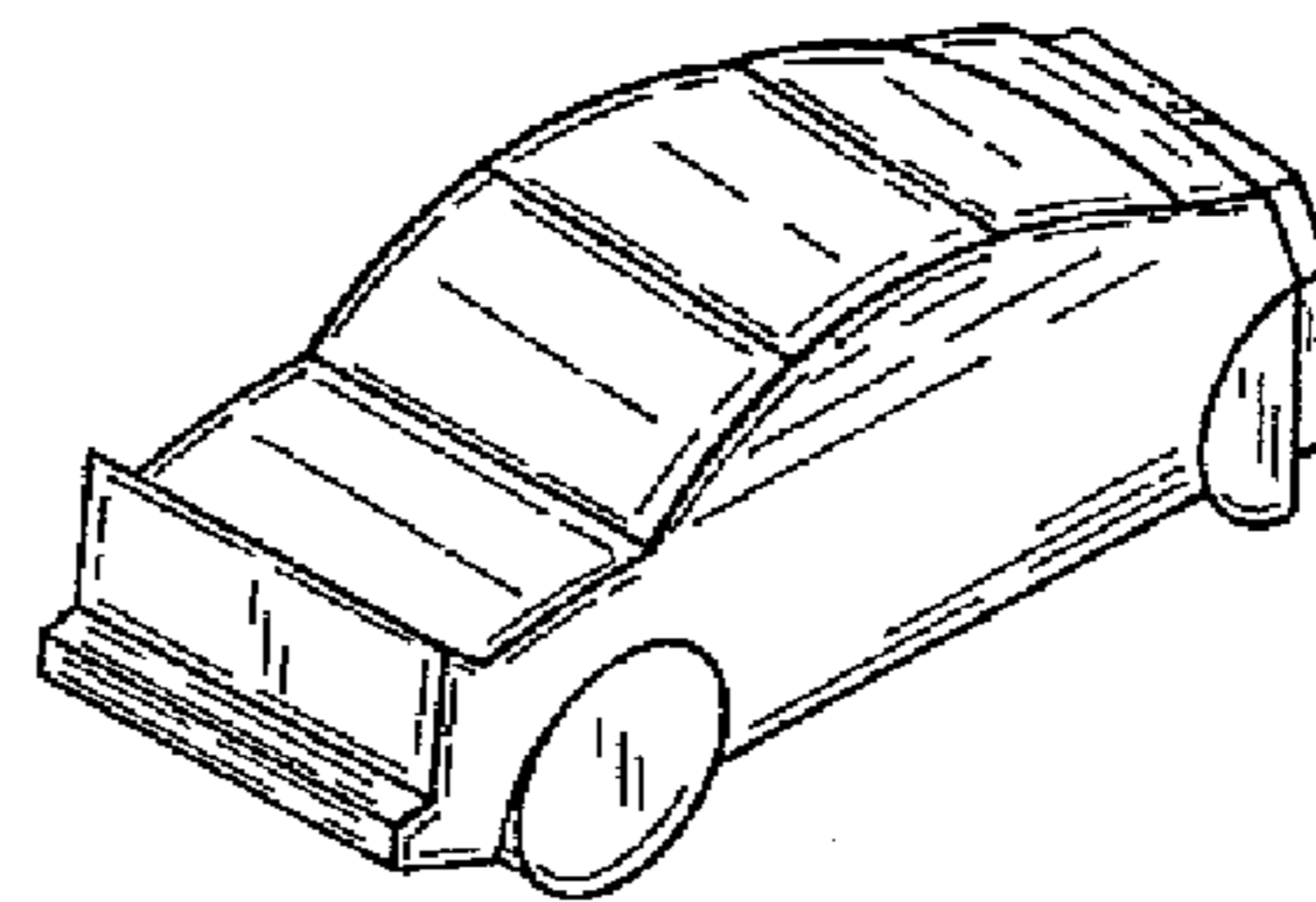


FIG. 52

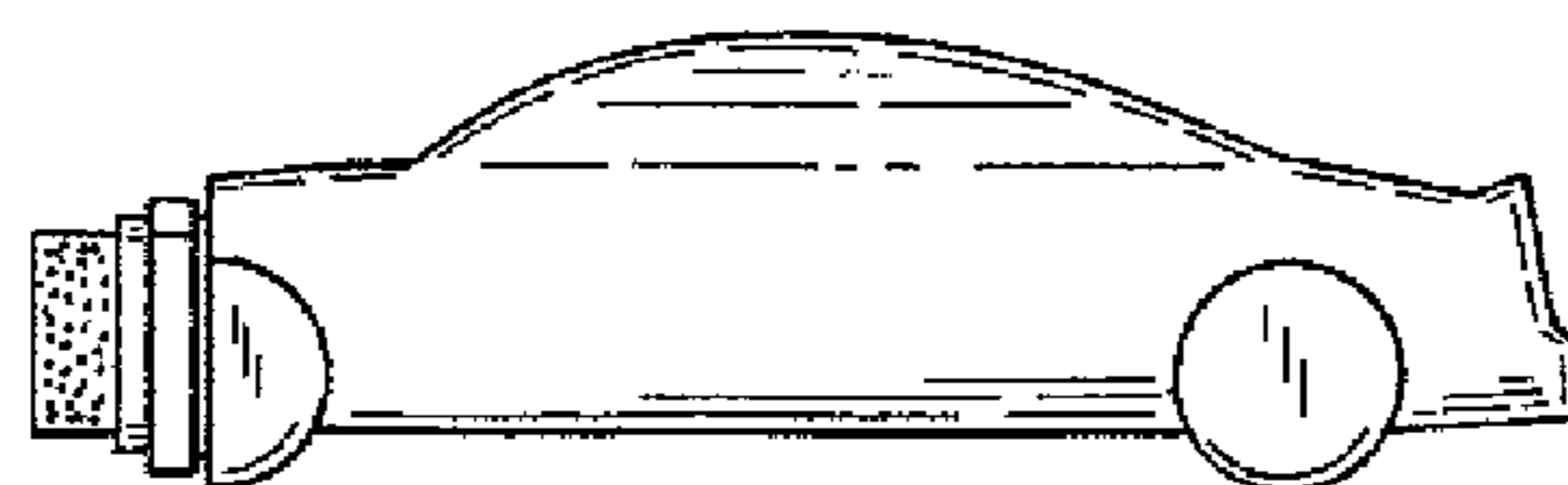


FIG. 49

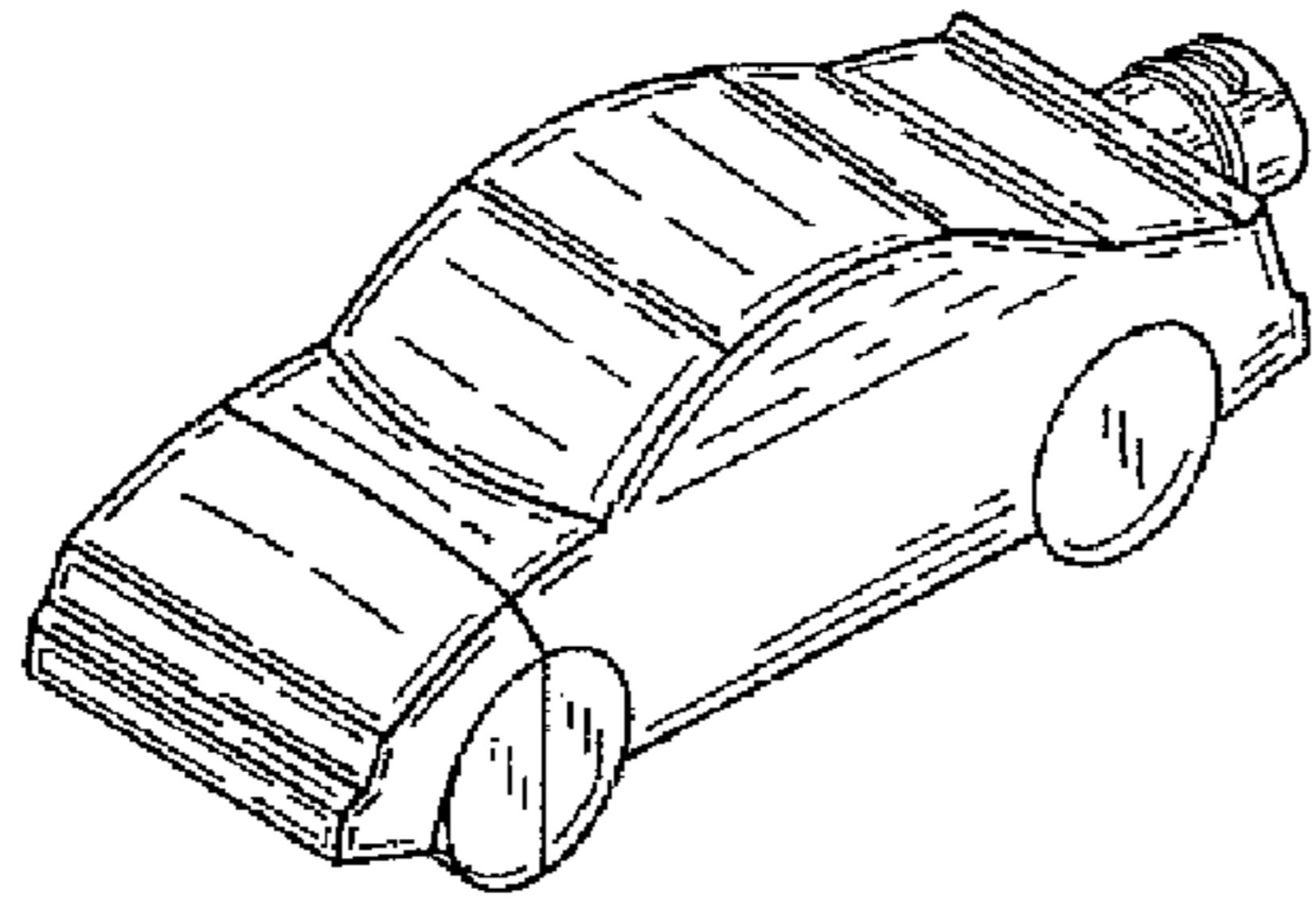


FIG. 53

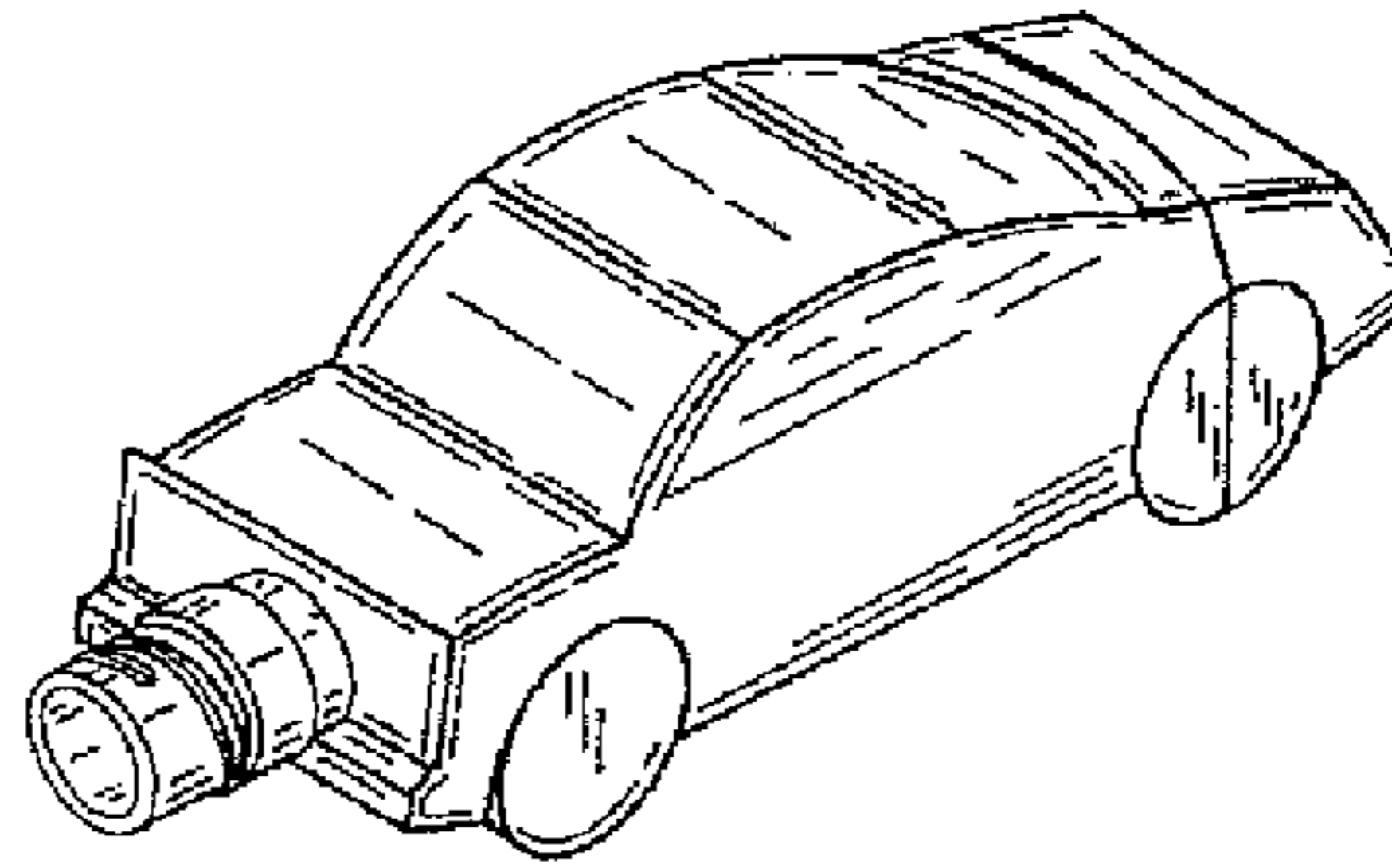


FIG. 57

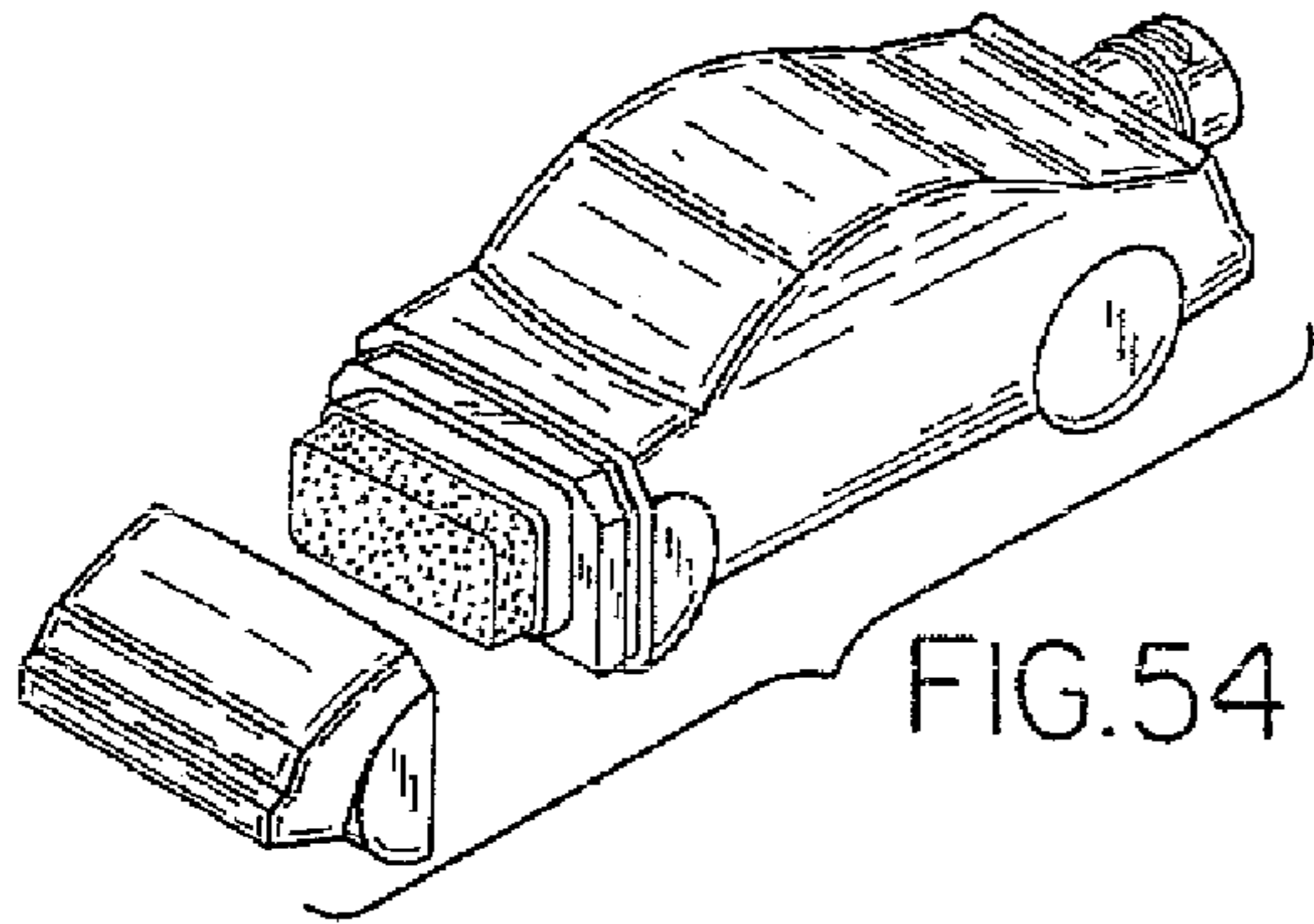


FIG. 54

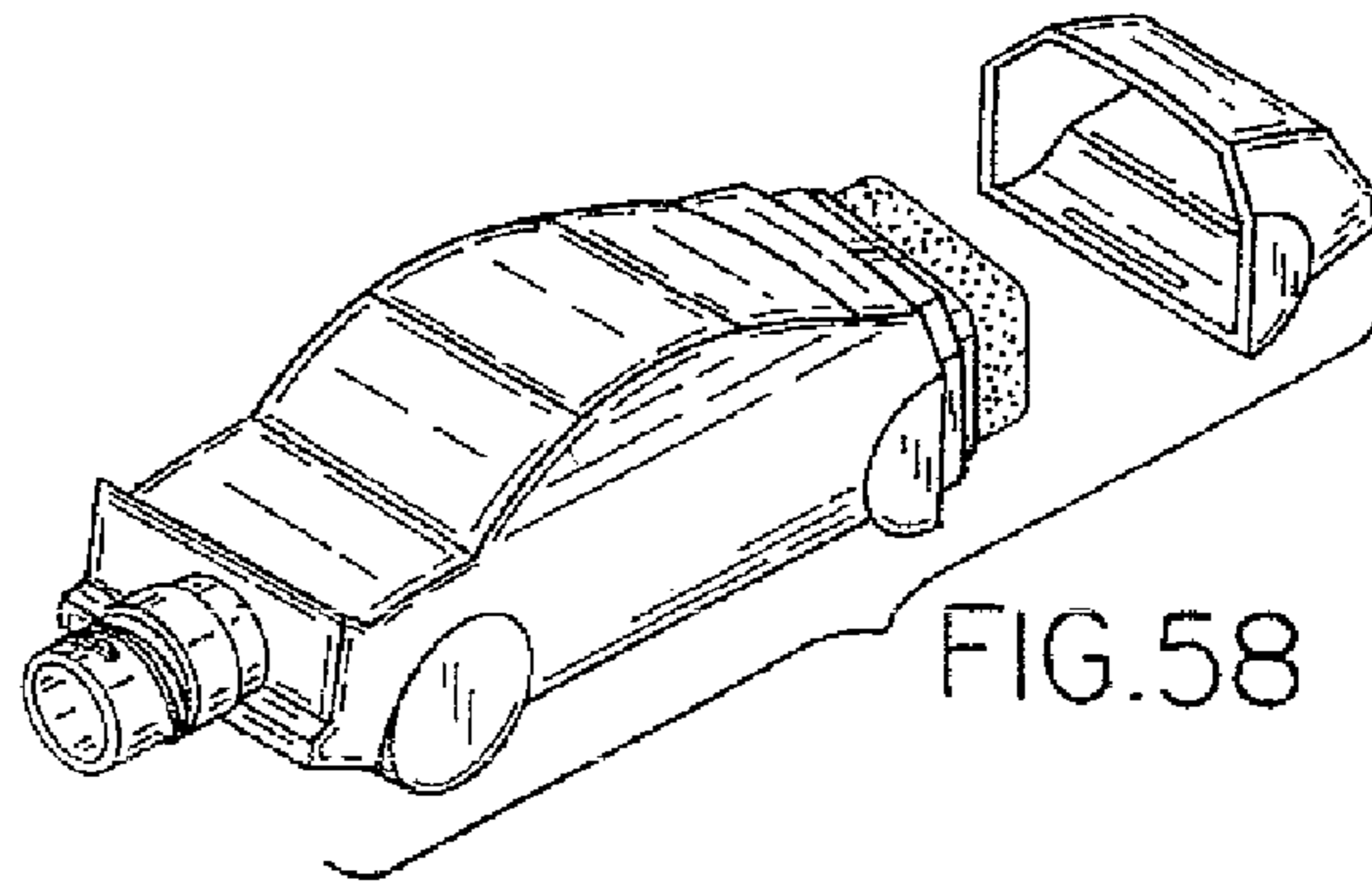


FIG. 58

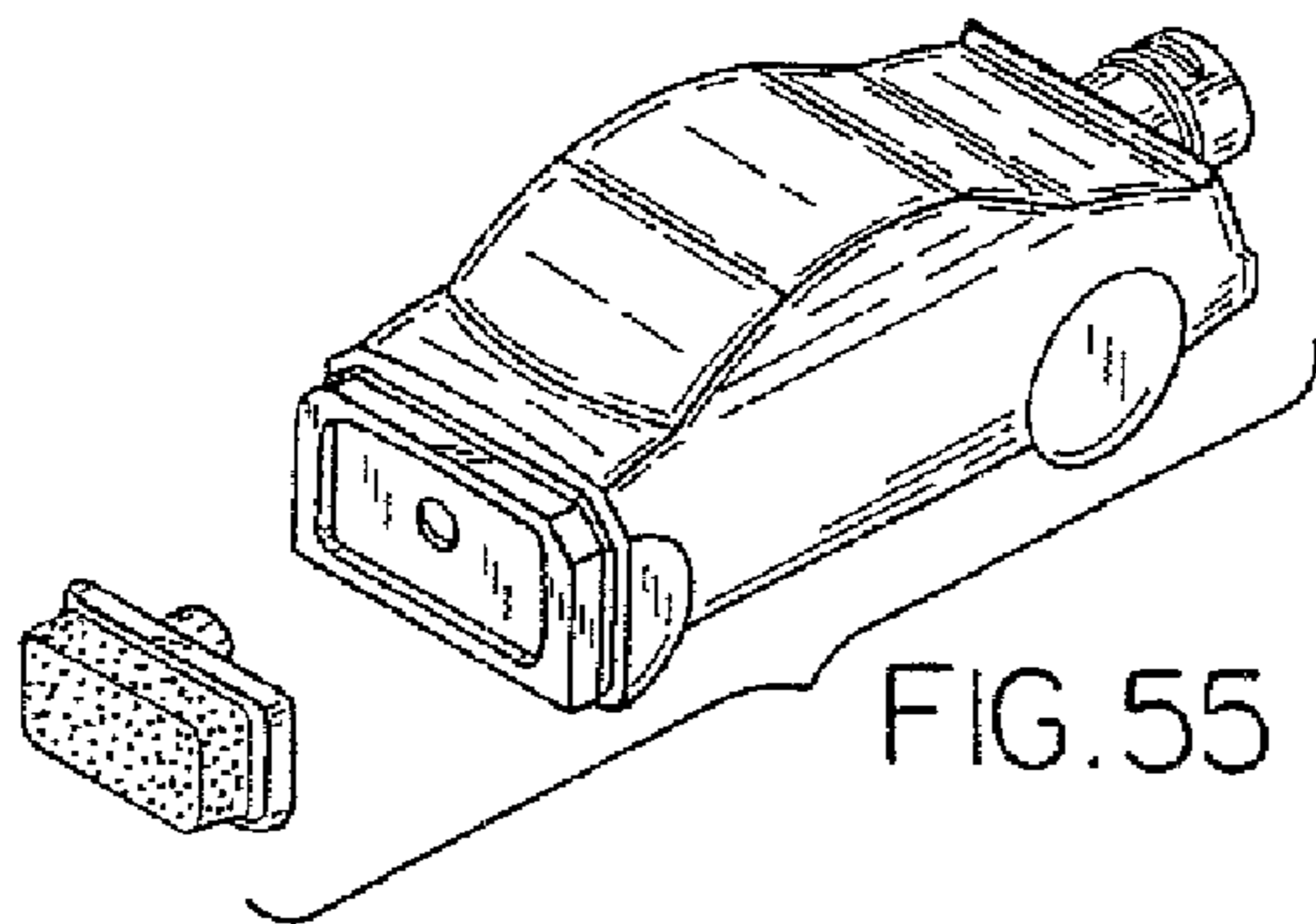


FIG. 55

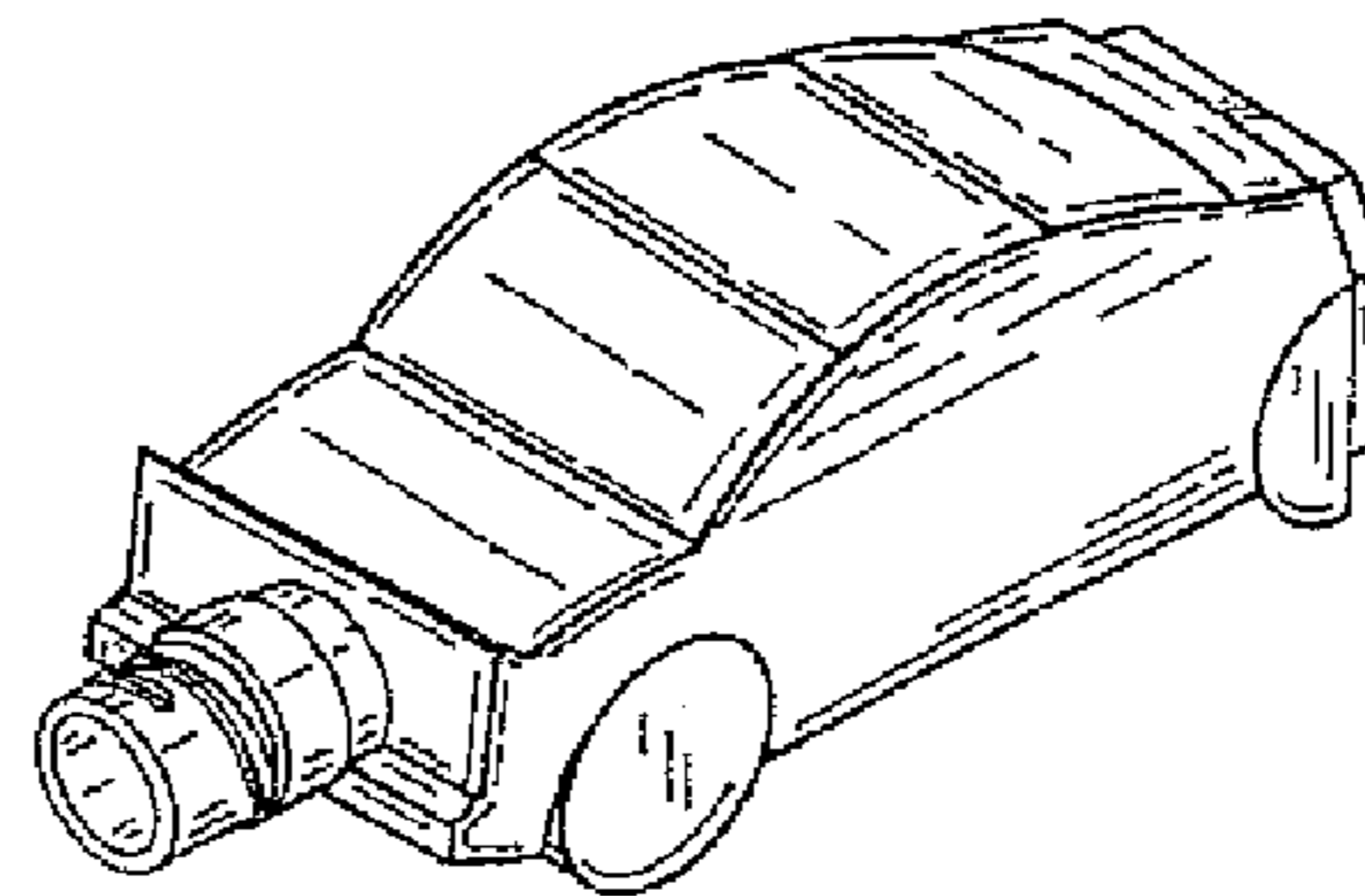


FIG. 59

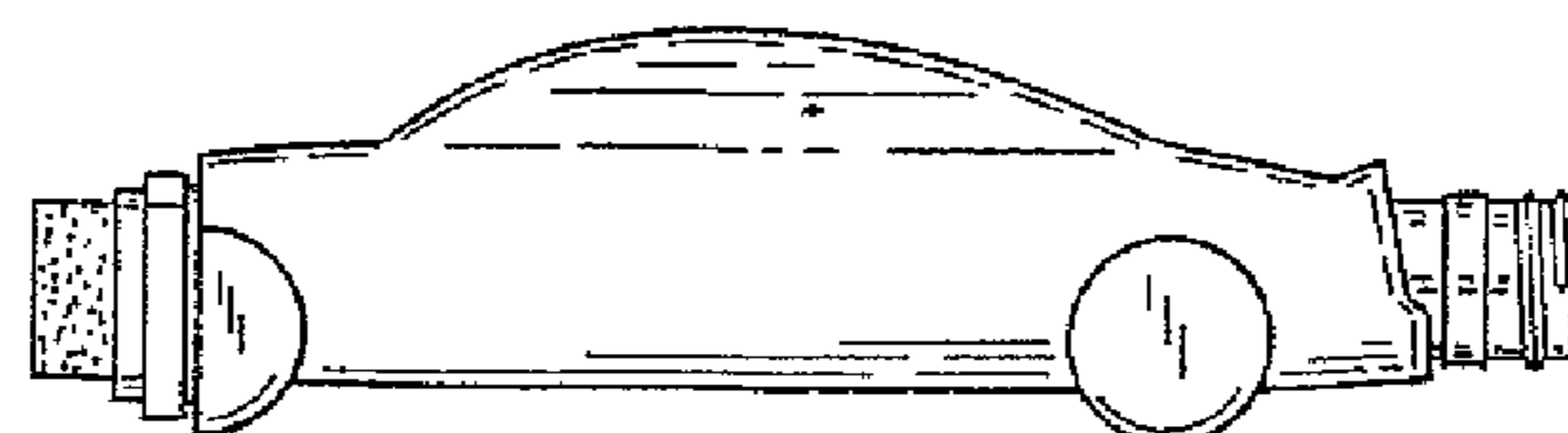


FIG. 56